



US00D628426S

(12) **United States Design Patent**  
**Hoare et al.**

(10) **Patent No.:** **US D628,426 S**

(45) **Date of Patent:** **\*\* Dec. 7, 2010**

(54) **TEA MAKER**

(75) Inventors: **Richard Hoare**, Lane Cove (AU); **Eddie Siu**, Chifley (AU); **Paul Cohen**, Watsons Bay (AU); **Graeme MacDonald**, Watsons Bay (AU)

(73) Assignee: **Breville Pty Limited**, Botany, New South Wales (AU)

(\*\*) Term: **14 Years**

(21) Appl. No.: **29/351,016**

(22) Filed: **Nov. 26, 2009**

(30) **Foreign Application Priority Data**

May 29, 2009 (AU) ..... 11990/2009

(51) **LOC (9) Cl.** ..... **07-01**

(52) **U.S. Cl.** ..... **D7/319; D7/317**

(58) **Field of Classification Search** ..... **D7/300, D7/316-319, 305; 99/281, 279, 306, 307, 99/285**

See application file for complete search history.

(56) **References Cited**

**U.S. PATENT DOCUMENTS**

- D399,090 S \* 10/1998 Green ..... D7/319
- 5,855,160 A \* 1/1999 Shen ..... 99/279
- D444,343 S \* 7/2001 Chang ..... D7/377
- D448,235 S \* 9/2001 Jorgensen ..... D7/319

- D455,314 S \* 4/2002 Choi ..... D7/319
- D479,091 S \* 9/2003 Glucksman et al. .... D7/319
- D486,032 S \* 2/2004 Leung ..... D7/319
- D498,383 S \* 11/2004 Chang et al. .... D7/305
- D498,384 S \* 11/2004 McWilliam ..... D7/319
- D599,161 S \* 9/2009 Friel et al. .... D7/319
- D602,304 S \* 10/2009 Elissen ..... D7/318
- D611,288 S \* 3/2010 Bodum ..... D7/305

\* cited by examiner

*Primary Examiner*—Marianne Pandozzi

(74) *Attorney, Agent, or Firm*—Molins & Co

(57) **CLAIM**

The ornamental design for a tea maker, as shown and described.

**DESCRIPTION**

FIG. 1 is a perspective view of a tea maker showing my new design;

FIG. 2 is a rear view thereof;

FIG. 3 is a left view thereof;

FIG. 4 is a front view thereof;

FIG. 5 is a right view thereof;

FIG. 6 is a top view thereof; and,

FIG. 7 is a bottom view thereof.

The broken lines in the drawings are for illustrative purposes only and form no part of the claimed design.

**1 Claim, 7 Drawing Sheets**





FIGURE 1



FIGURE 2

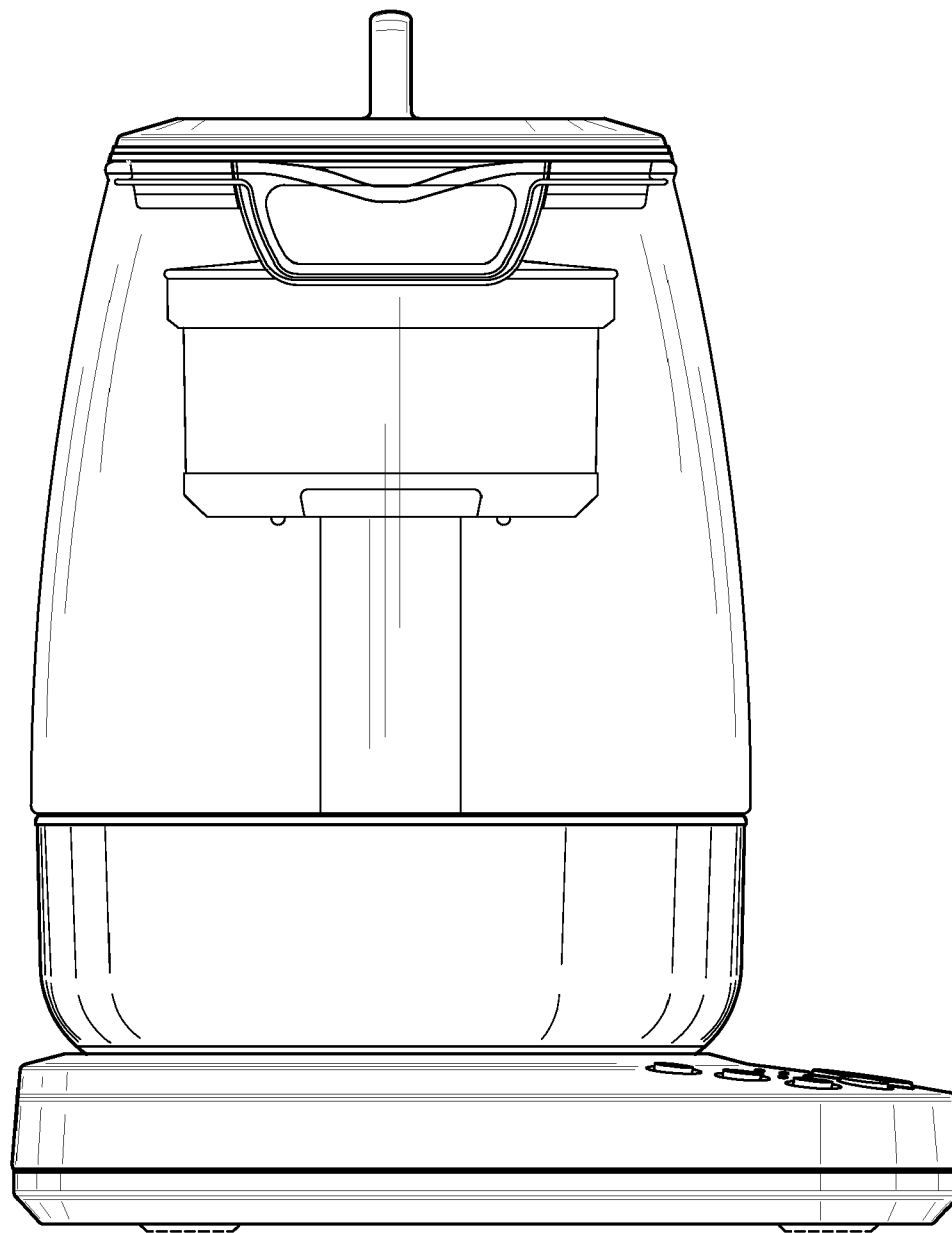


FIGURE 3



FIGURE 4

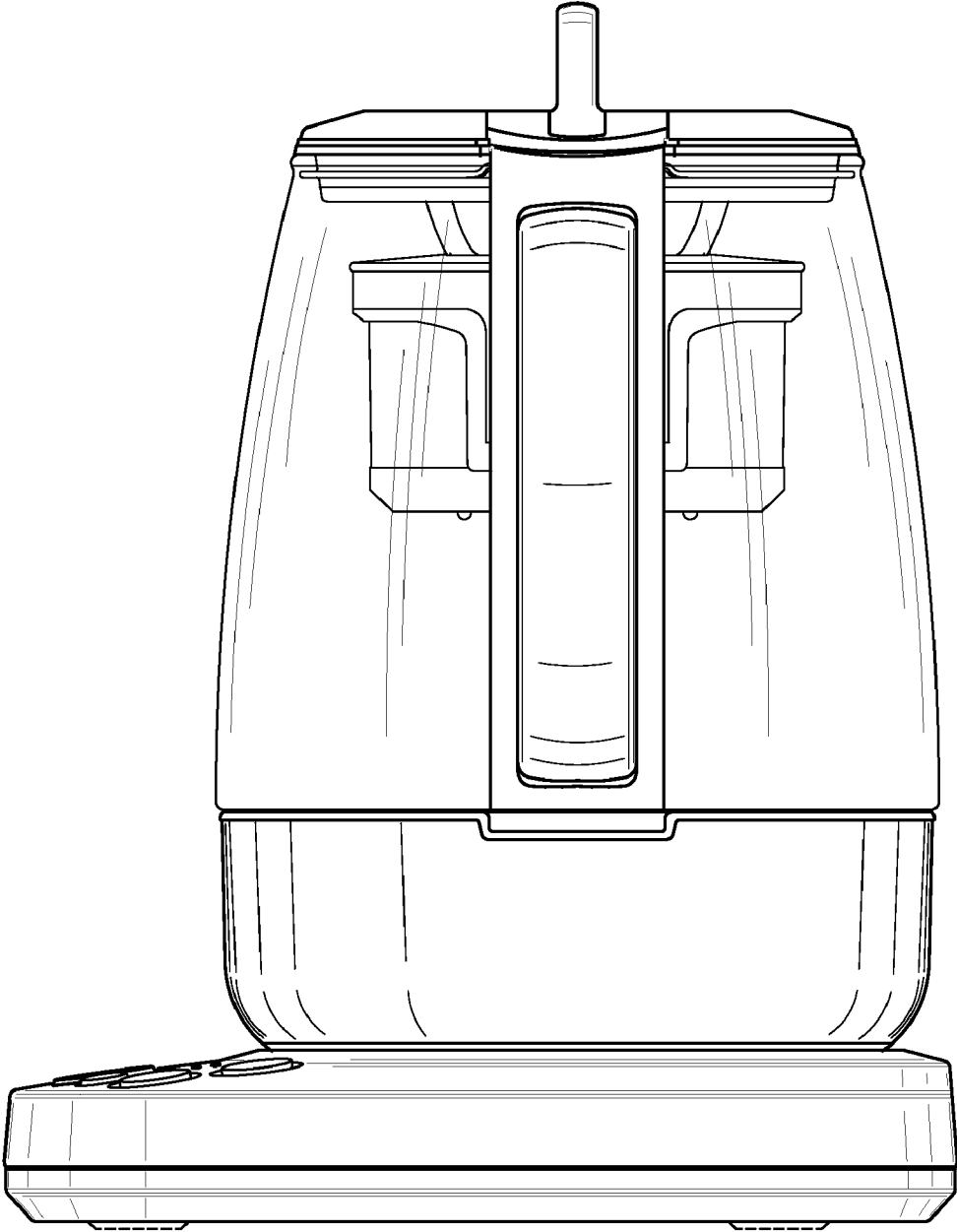


FIGURE 5

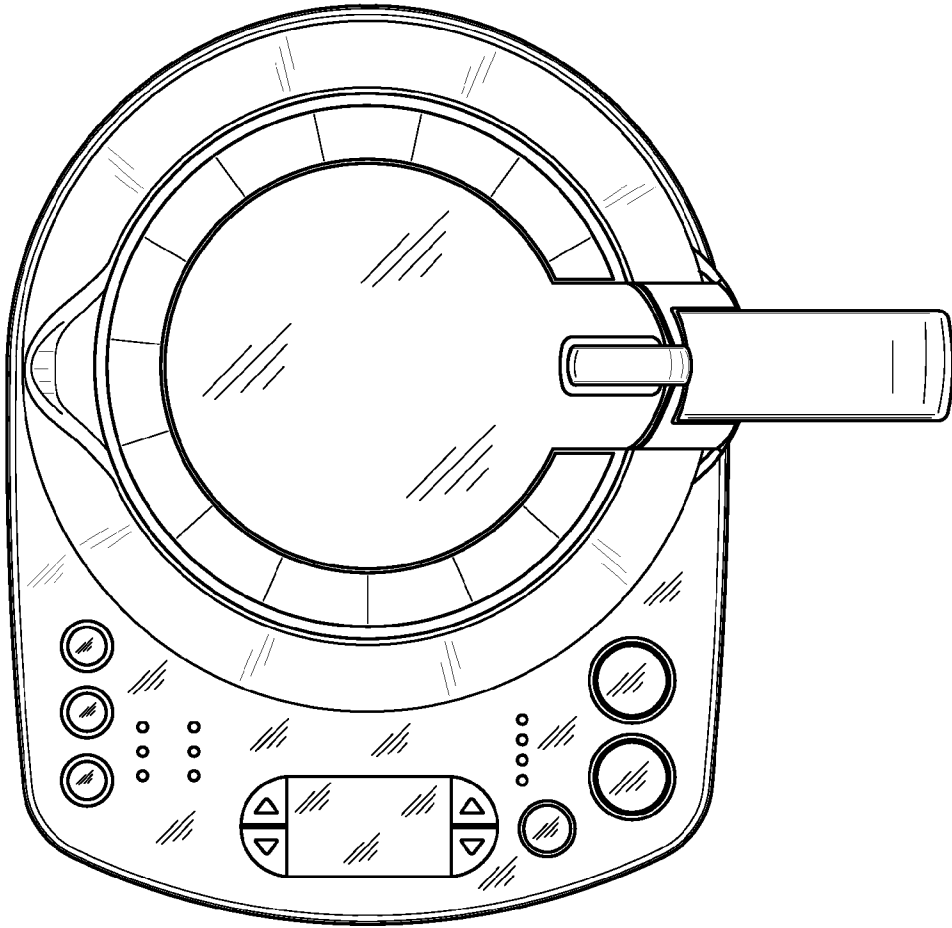


FIGURE 6

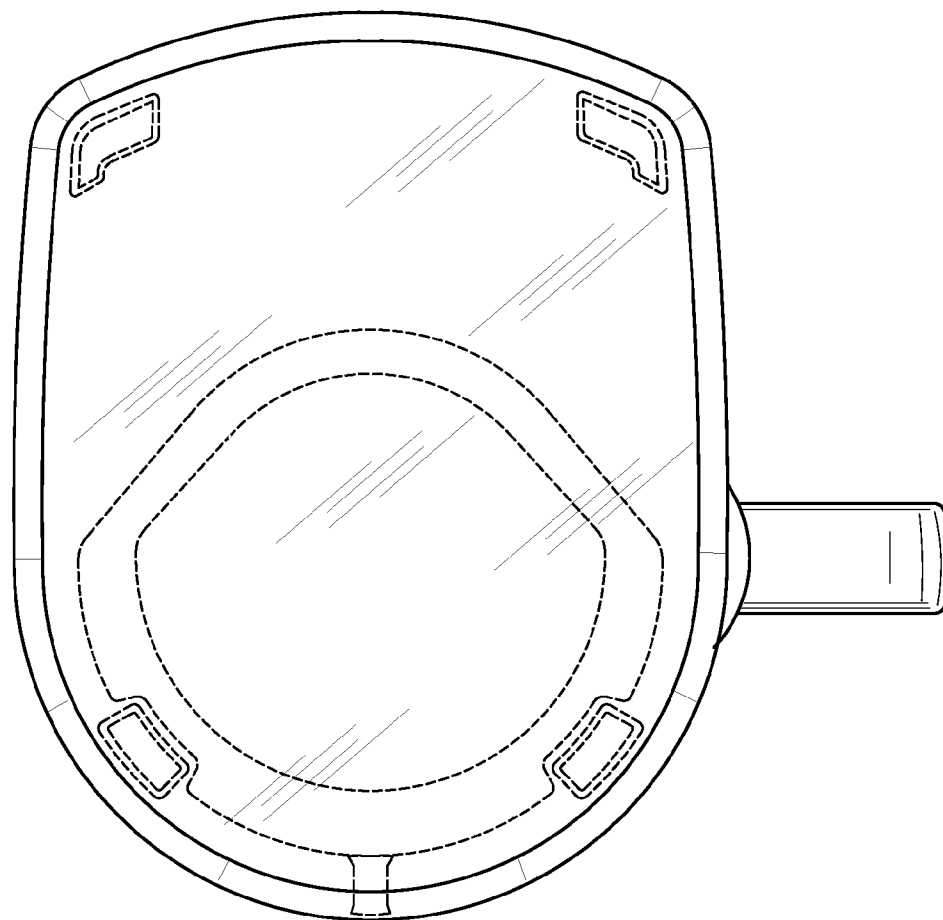


FIGURE 7