



US00D409082S

United States Patent [19]
Donahue

[11] **Patent Number: Des. 409,082**
[45] **Date of Patent: ** May 4, 1999**

[54] **STRAP BUTTON CABLE HANGER**

1,247,912 11/1917 Wardner 248/216.1

[76] Inventor: **Timothy Joel Donahue**, 1-36-2 Sano
Miharashidai, Mishima-Shi,
Shizuoka-Ken, Japan

Primary Examiner—Holly Baynham
Attorney, Agent, or Firm—Koda & Androlia

[**] Term: **14 Years**

[57] **CLAIM**

The ornamental design for a strap button cable hanger, as shown.

[21] Appl. No.: **29/080,341**

[22] Filed: **Dec. 2, 1997**

DESCRIPTION

[51] **LOC (6) Cl.** **08-05**

[52] **U.S. Cl.** **D8/373; D8/367**

[58] **Field of Search** **D8/373, 367, 356;**
248/301, 304, 339, 215, 68.1, 71, 49, 216.1,
216.4

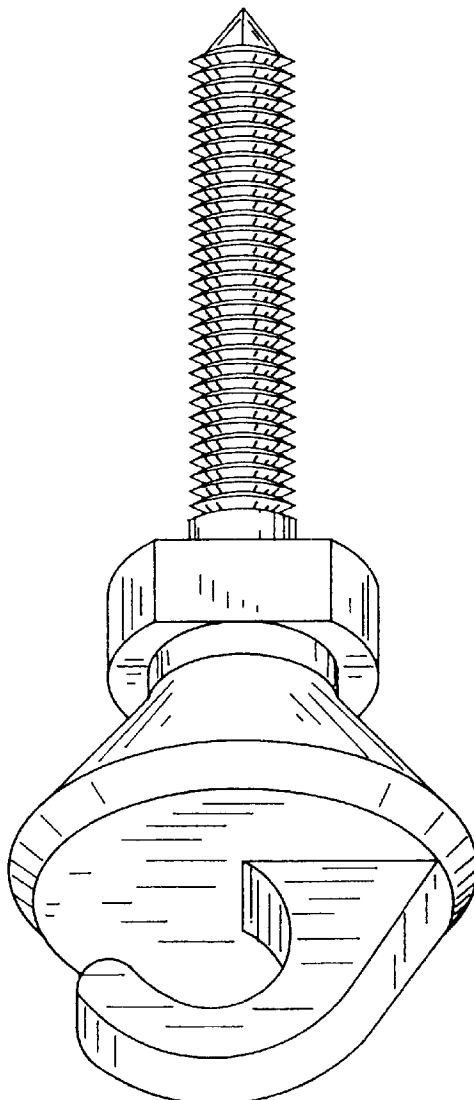
FIG. 1 is a perspective view taken from the front and bottom of the strap button cable hanger showing my new design; FIG. 2 is a top view thereof; FIG. 3 is a bottom plan view thereof; FIG. 4 is a rear elevational view thereof; FIG. 5 is a front elevational view thereof; FIG. 6 is a right side elevational view thereof; and, FIG. 7 is a left side elevational view thereof.

[56] **References Cited**

U.S. PATENT DOCUMENTS

628,343 7/1899 Menzel 248/216.1

1 Claim, 4 Drawing Sheets



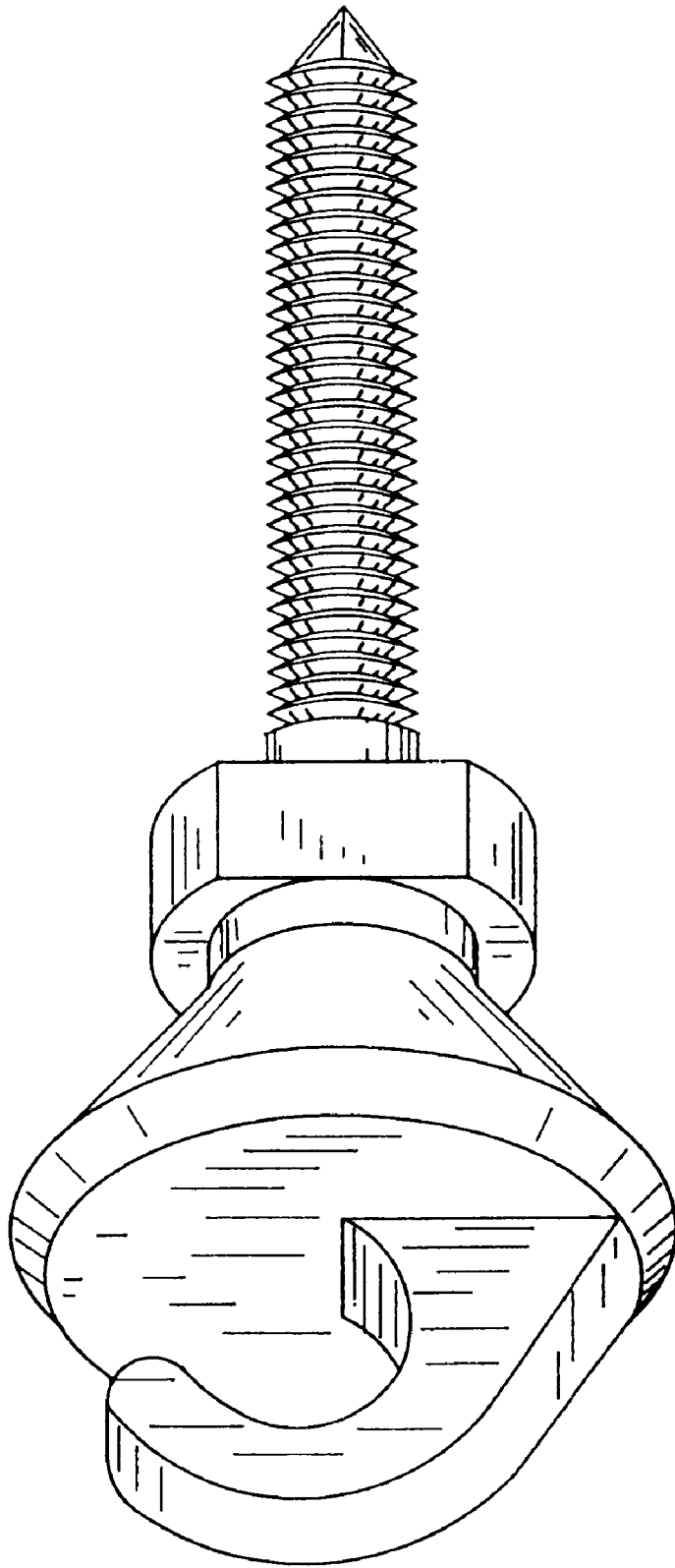


FIG. 1

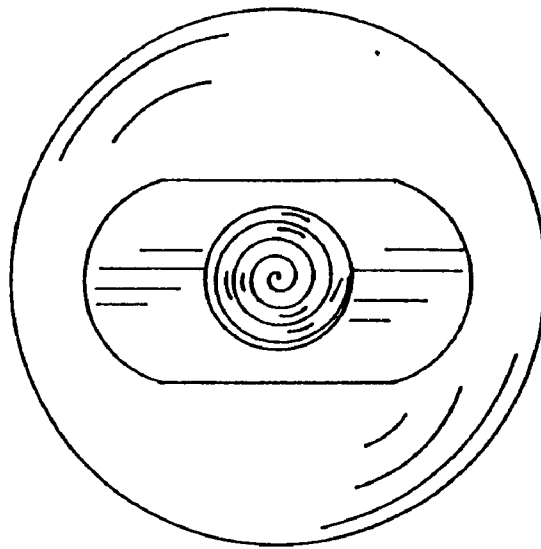


FIG. 2

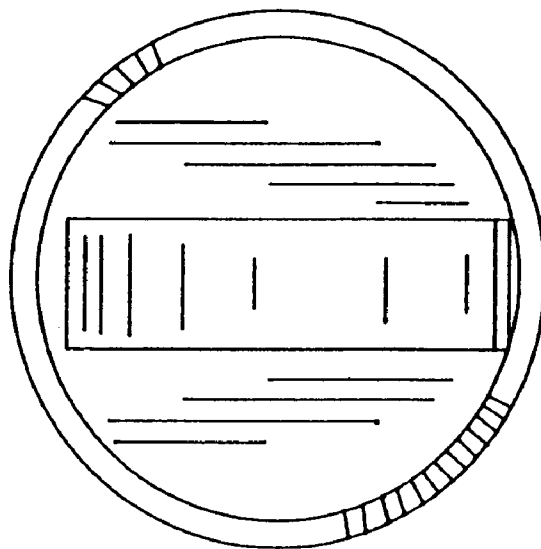


FIG. 3

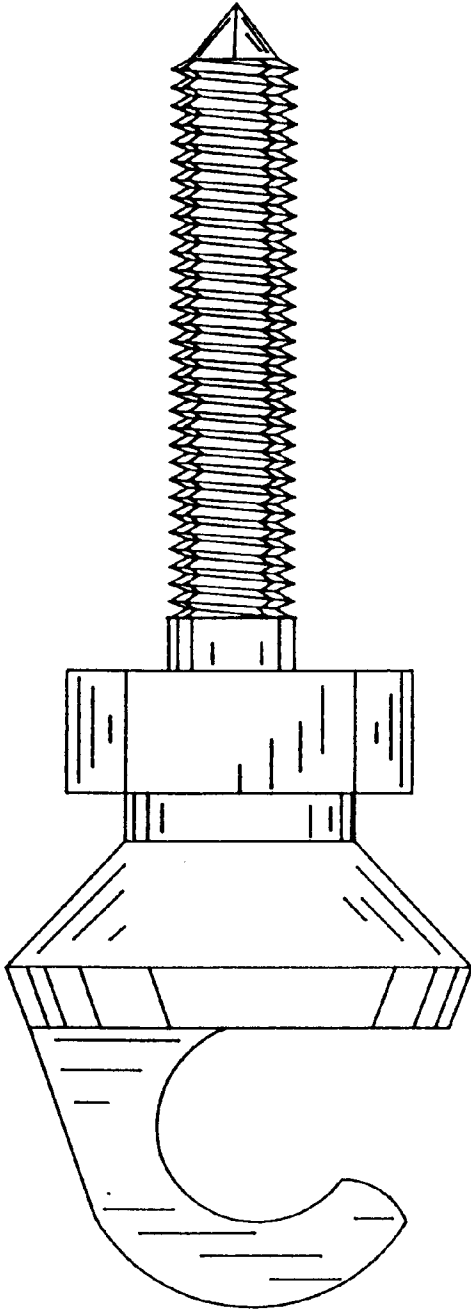


FIG. 4

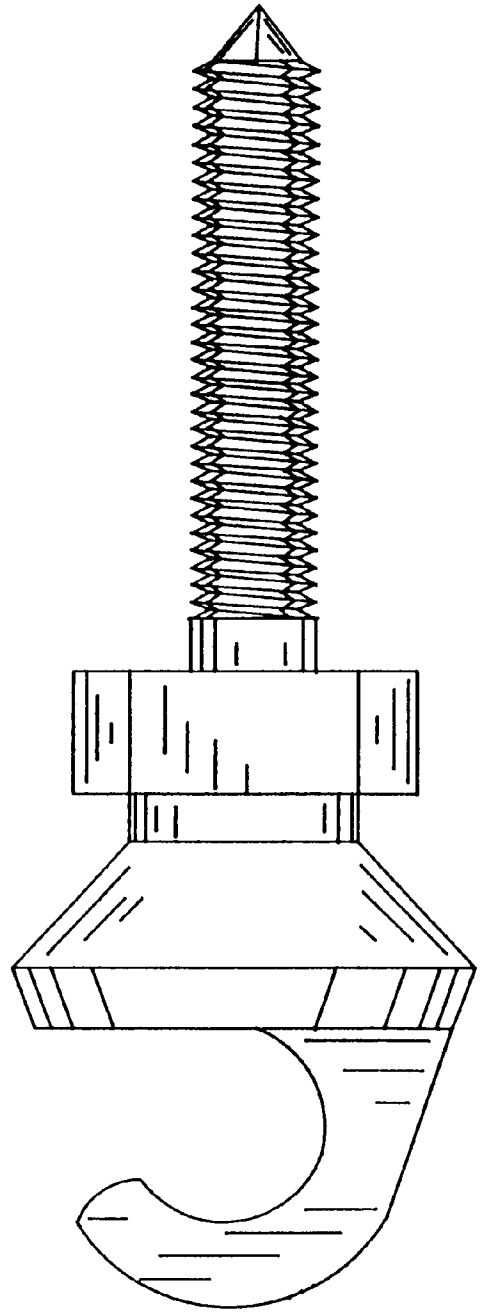


FIG. 5

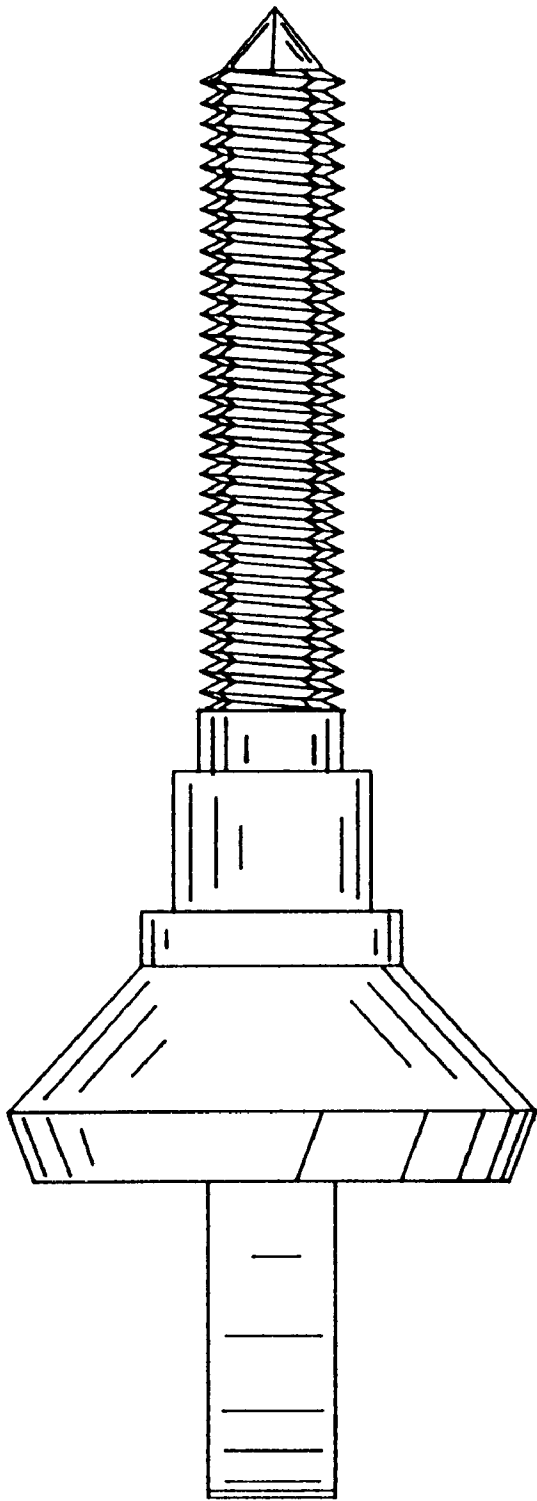


FIG. 6

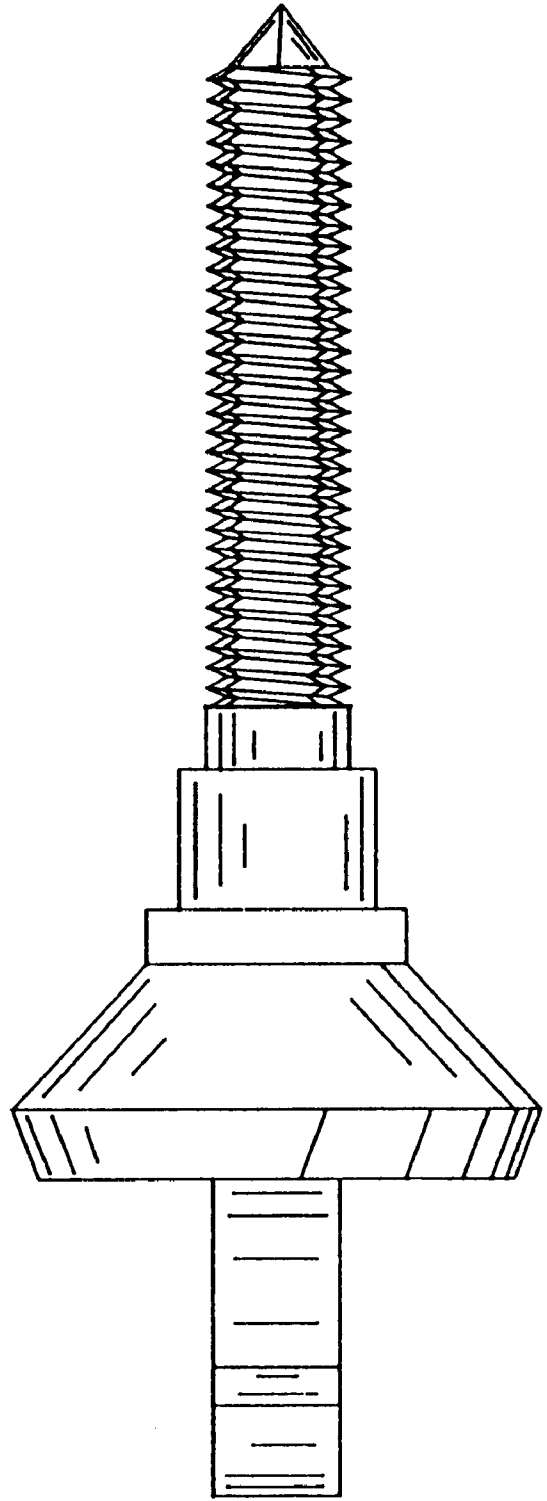


FIG. 7