



US00D474649S

(12) **United States Design Patent** (10) **Patent No.:** **US D474,649 S**
Spence, Jr. (45) **Date of Patent:** **** May 20, 2003**

(54) **DUAL COMPARTMENT INSULATED BAG**
(75) **Inventor:** **Meredith Spence, Jr., San Antonio, TX (US)**
(73) **Assignee:** **Norwood Promotional Products, Inc., Austin, TX (US)**
(**) **Term:** **14 Years**

Primary Examiner—Terry A. Wallace
(74) *Attorney, Agent, or Firm*—Jenkins & Gilchrist A Professional Corporation

(57) **CLAIM**

The ornamental design for a dual compartment insulated bag, as shown.

(21) **Appl. No.:** **29/159,847**
(22) **Filed:** **Apr. 29, 2002**

DESCRIPTION

(51) **LOC (7) Cl.** **07-01**
(52) **U.S. Cl.** **D7/607; D3/283**
(58) **Field of Search** **D7/605–608; D3/273, D3/276, 283–287, 289; 62/457.1–457.7, 371, 372; 190/110; 220/592.2, 592.24, 592.25, 915.1, 915.2; 383/6, 20, 34, 43, 97, 110, 113**

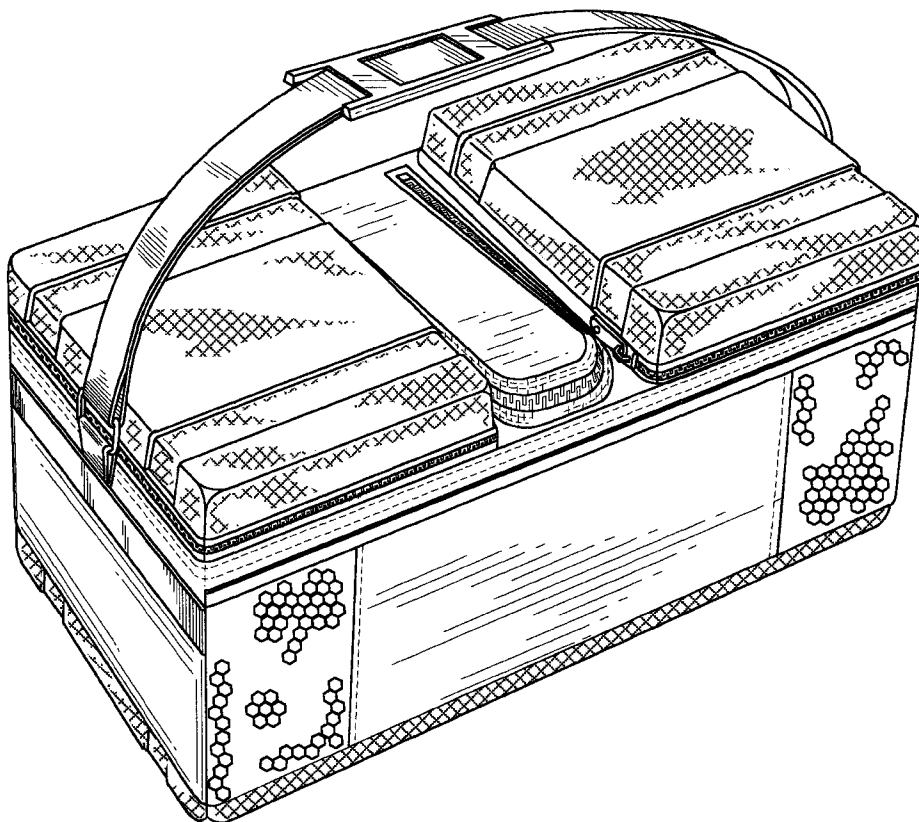
FIG. 1 is a top plan view of the design of the present invention;
FIG. 2 is a front elevational view of the design of the present invention;
FIG. 3 is a left side elevational view of the design of the present invention;
FIG. 4 is a right side elevational view of the design of the present invention;
FIG. 5 is a rear elevational view of the design of the present invention;
FIG. 6 is a bottom plan view of the design of the present invention; and,
FIG. 7 is a perspective view of the design of the present invention.

(56) **References Cited**
U.S. PATENT DOCUMENTS

4,537,313	A	*	8/1985	Workman	383/110	X
4,620,579	A	*	11/1986	Lowe et al.	190/110	
4,805,776	A	*	2/1989	Namgyal et al.	383/110	X
D340,840	S	*	11/1993	Melk	D7/607	
D371,052	S	*	6/1996	Melk	D7/607	

* cited by examiner

1 Claim, 6 Drawing Sheets



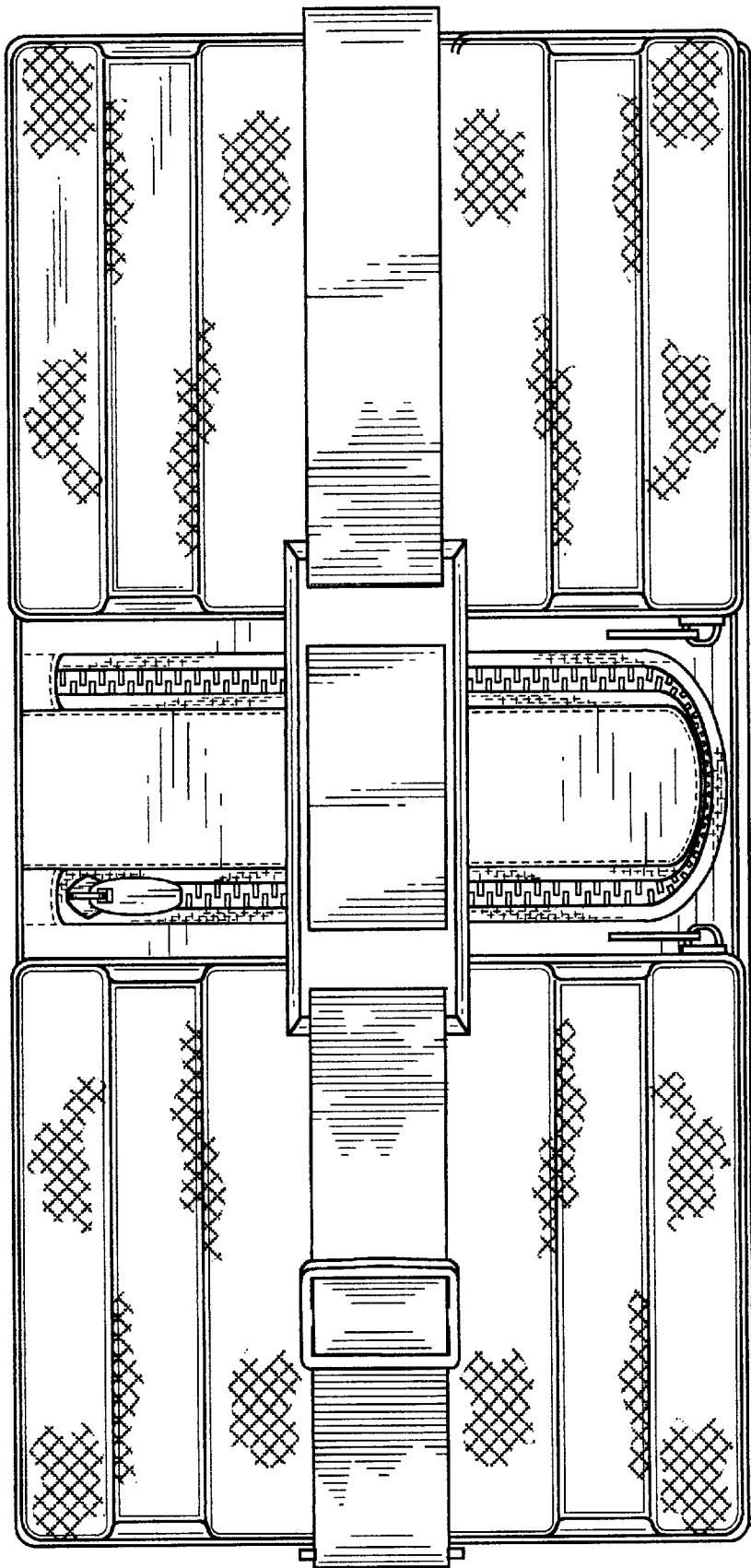


Fig. 1

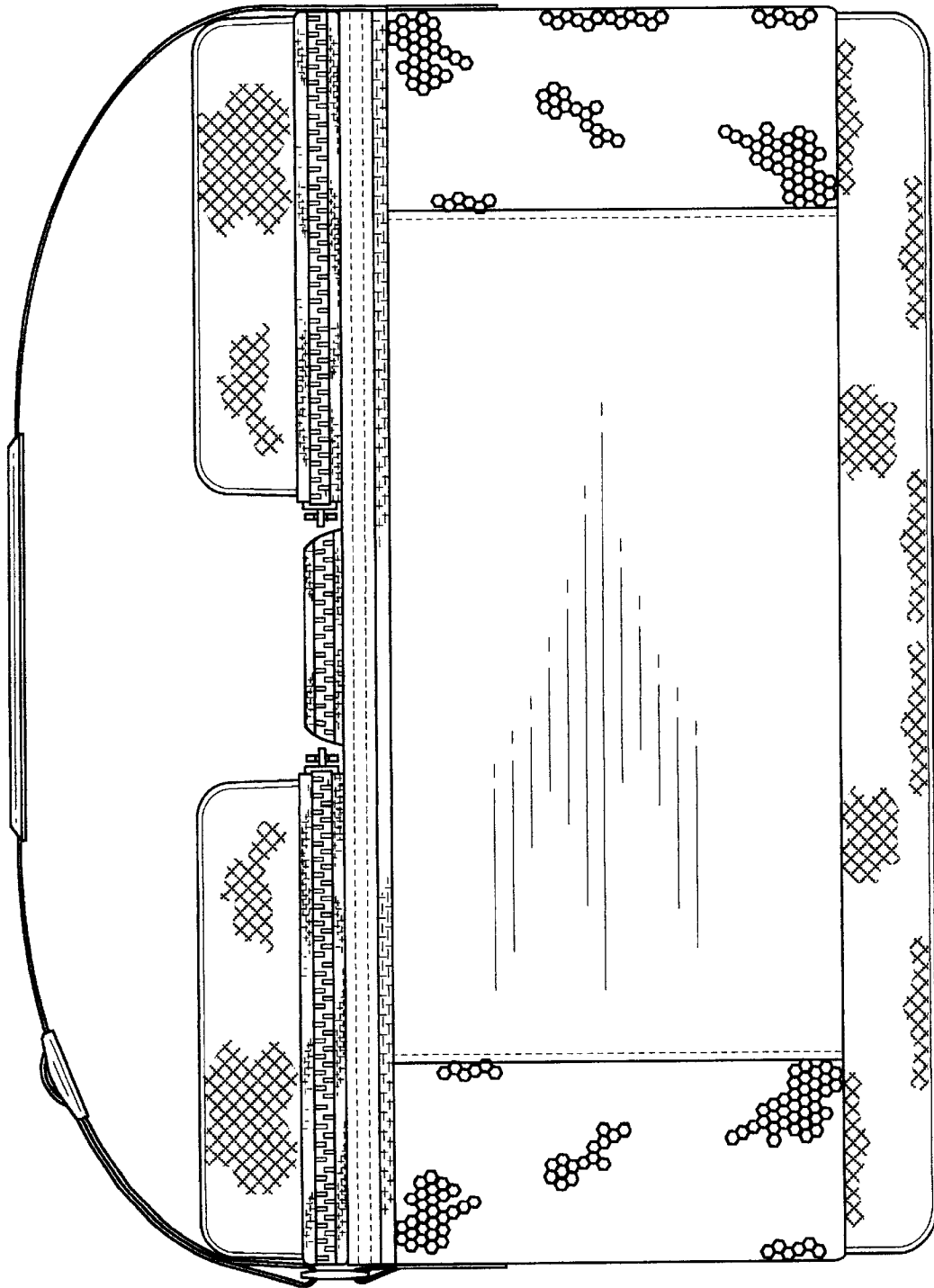


Fig. 2

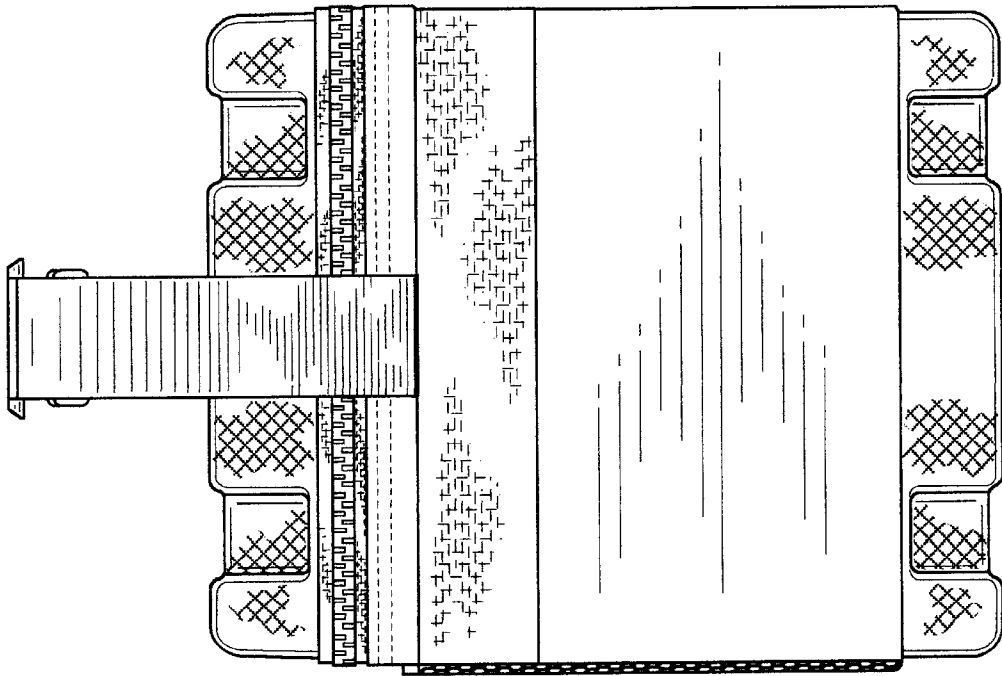


Fig. 4

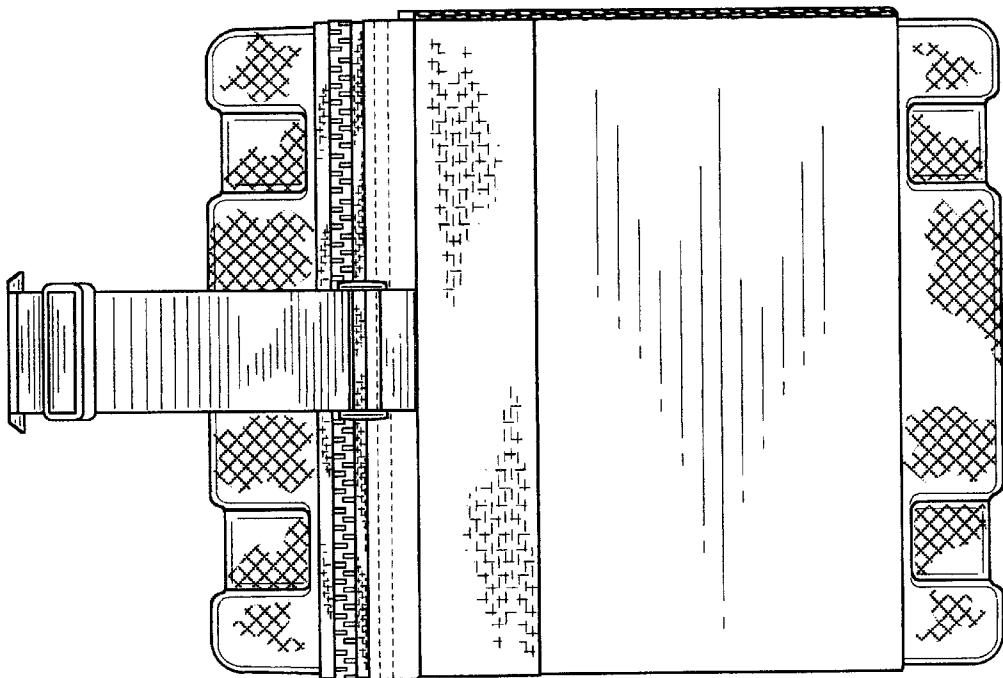


Fig. 3

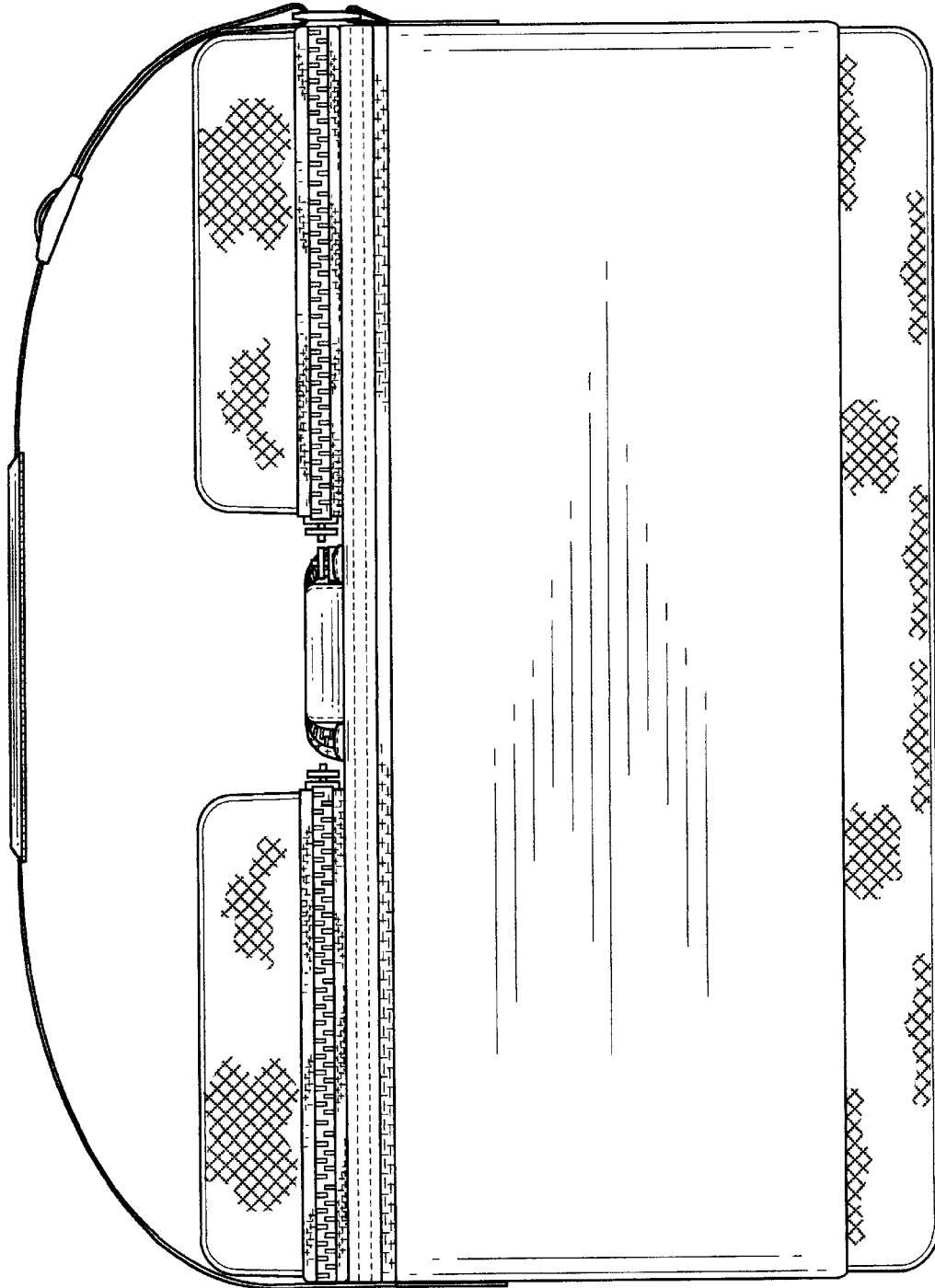


Fig. 5

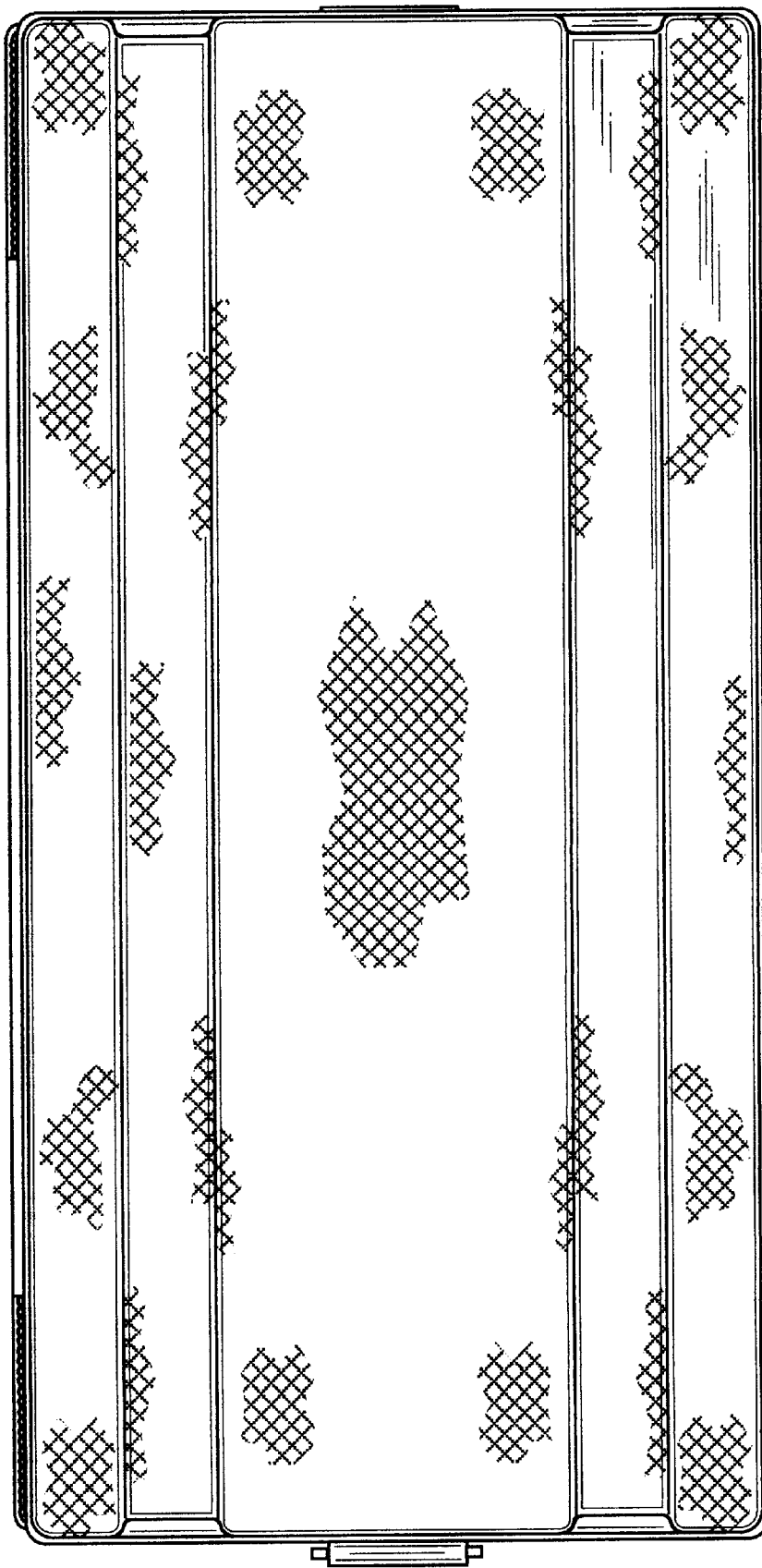


Fig. 6

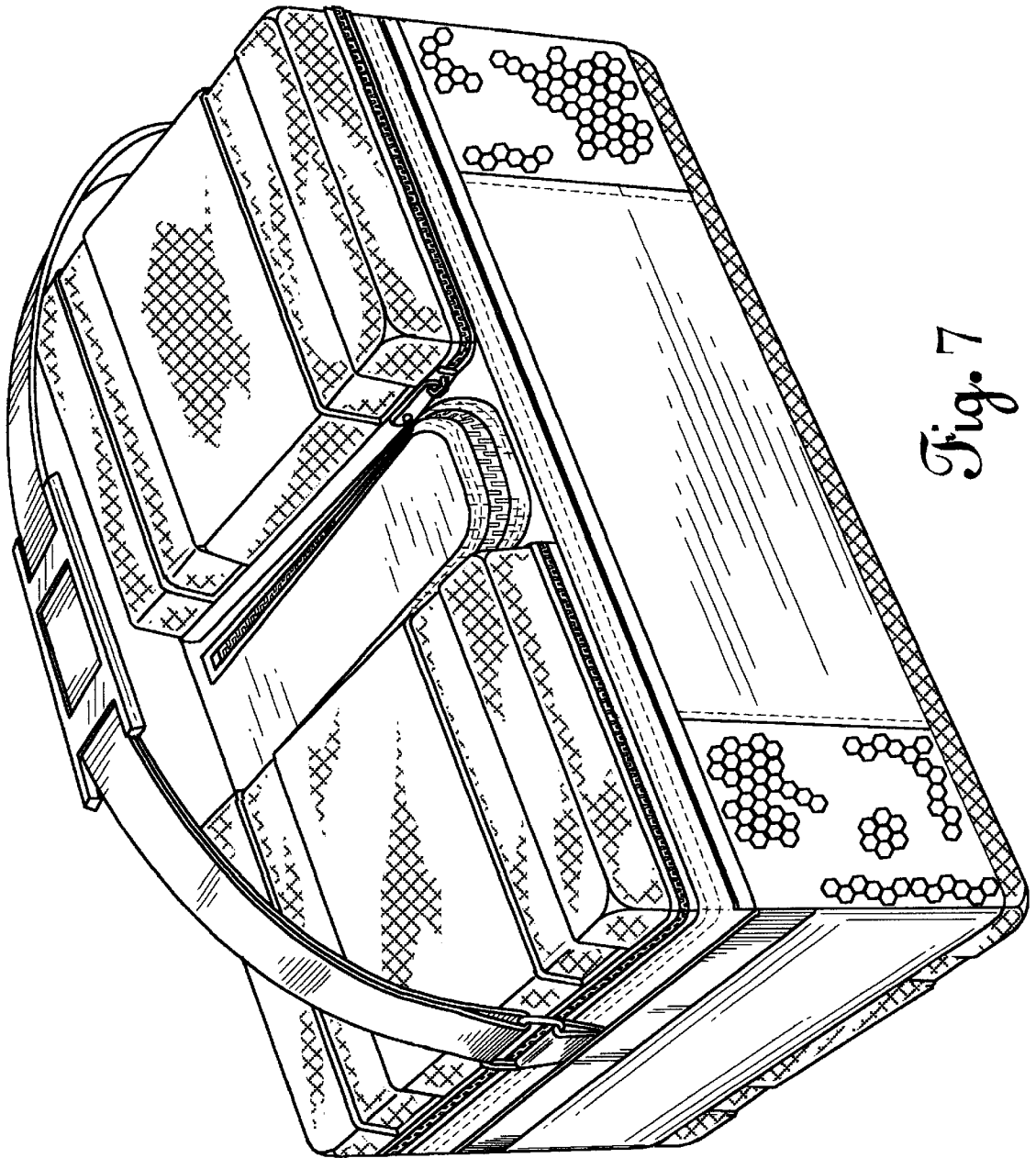


Fig. 7