



US00D884683S

(12) **United States Design Patent**  
**Muramoto et al.**

(10) **Patent No.:** **US D884,683 S**

(45) **Date of Patent:** **\*\* May 19, 2020**

- (54) **SPEAKER DRIVER FRAME**
- (71) Applicant: **Alpine Electronics, Inc.**, Tokyo (JP)
- (72) Inventors: **Masatada Muramoto**, Tokyo (JP);  
**Mitsuhiro Yashiro**, Tokyo (JP)
- (73) Assignee: **Alpine Electronics, Inc.**, Tokyo (JP)
- (\*\*) Term: **15 Years**
- (21) Appl. No.: **29/675,463**
- (22) Filed: **Jan. 2, 2019**
- (51) **LOC (12) Cl.** ..... **14-01**
- (52) **U.S. Cl.**  
USPC ..... **D14/224**
- (58) **Field of Classification Search**  
USPC ..... D14/224, 219, 216, 221, 222, 204;  
181/144-148, 156, 170, 173, 141, 182,  
181/396, 186; 381/380, 381, 421, 423,  
381/426, 427, 397, 186, 182, 412, 386,  
381/398, 396, 343; 455/90.3, 575.1,  
455/569.1  
CPC ..... H04R 25/00; H04R 25/02; H04R 9/06;  
H04R 9/04; H04R 1/00; H04R 1/02;  
H04R 9/025; H05K 5/00  
See application file for complete search history.

- 3,952,834 A \* 4/1976 Soma ..... H04R 1/023  
181/150
  - D253,108 S \* 10/1979 Schroeder ..... 181/147
  - D254,490 S \* 3/1980 Matsubara ..... 181/157
  - D270,533 S \* 9/1983 Piercy ..... D14/224
  - 4,546,850 A \* 10/1985 Litner ..... H04R 1/025  
181/141
  - D282,065 S \* 1/1986 Piercy ..... D14/224
  - 4,566,178 A \* 1/1986 Hecht ..... H04R 9/06  
29/594
  - 4,598,178 A \* 7/1986 Rollins ..... H04R 9/06  
381/354
  - D291,988 S \* 9/1987 Ishizaki ..... D14/215
- (Continued)

**FOREIGN PATENT DOCUMENTS**

- JP D1173238 \* 3/2003
- JP D1267681 \* 2/2006
- JP D1281518 \* 8/2006

*Primary Examiner* — Paula Allen Greene  
(74) *Attorney, Agent, or Firm* — Brinks Gilson & Lione

(57) **CLAIM**

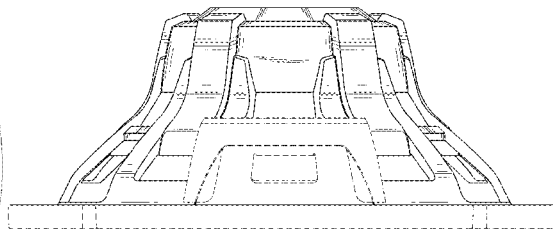
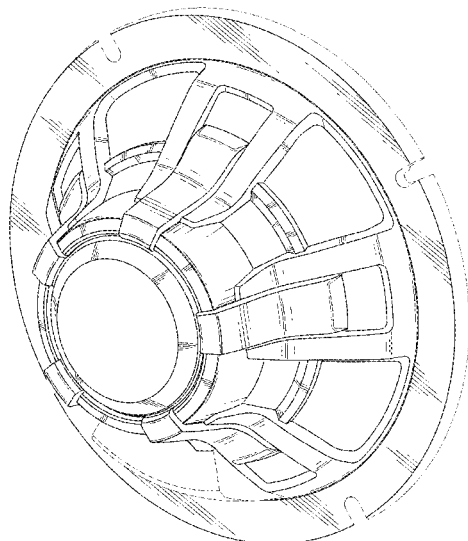
The ornamental design of the speaker driver frame, as shown and described.

**DESCRIPTION**

FIG. 1 is a perspective view of a speaker driver frame showing the new design; FIG. 2 is a front view thereof; FIG. 3 is a rear view thereof; FIG. 4 is a left-side view thereof; FIG. 5 is a right-side view thereof; FIG. 6 is a top view thereof; and, FIG. 7 is a bottom view thereof. The broken line depict unclaimed environment that is for illustrative purposes only; the broken lines form no part of the claimed design.

**1 Claim, 7 Drawing Sheets**

- (56) **References Cited**  
**U.S. PATENT DOCUMENTS**  
1,905,702 A \* 4/1933 Hardisty ..... H04R 9/06  
381/403  
2,638,509 A \* 5/1953 Charlesworth ..... H04R 31/003  
381/386  
2,982,372 A \* 5/1961 Lowell ..... H04R 1/2803  
181/155  
3,356,796 A \* 12/1967 Wray ..... H04R 9/06  
381/433  
3,529,691 A \* 9/1970 Wesemann ..... H04R 1/2811  
181/156  
D239,538 S \* 4/1976 Wagner ..... D14/216





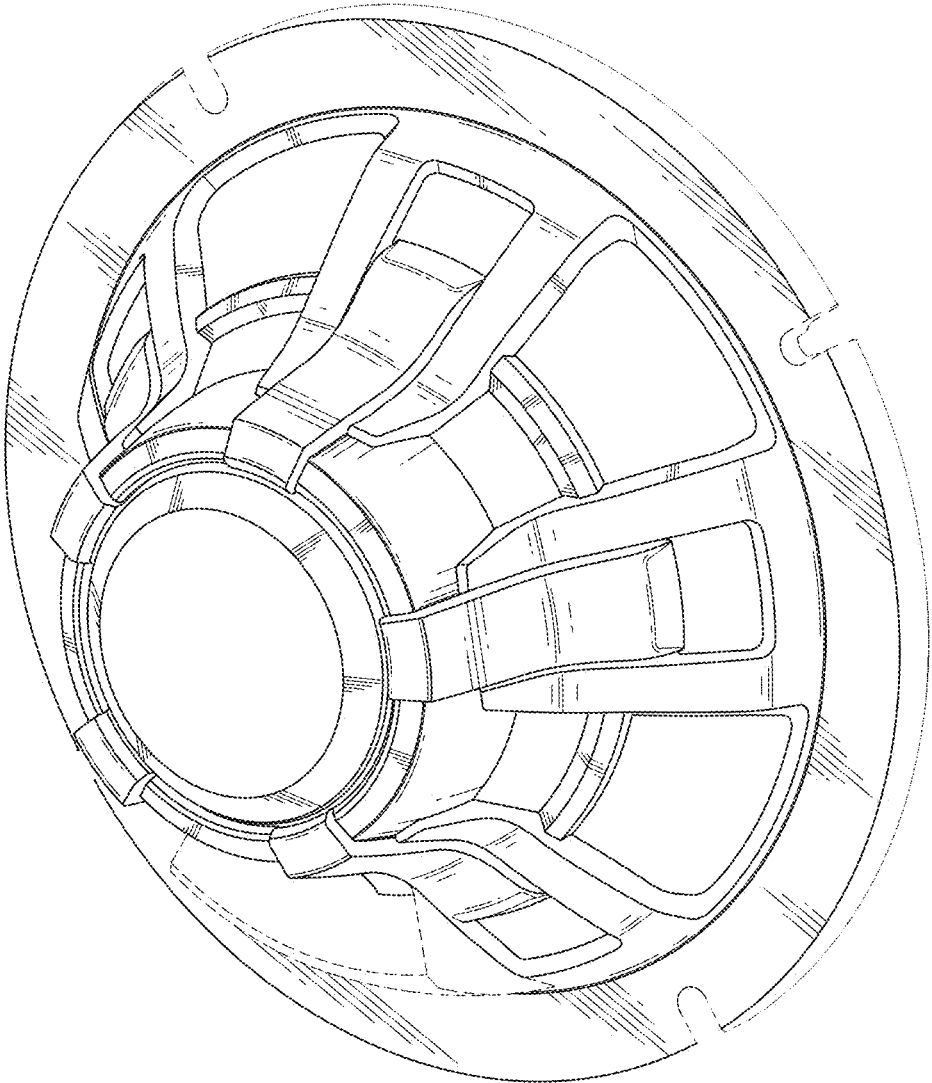


FIG. 1

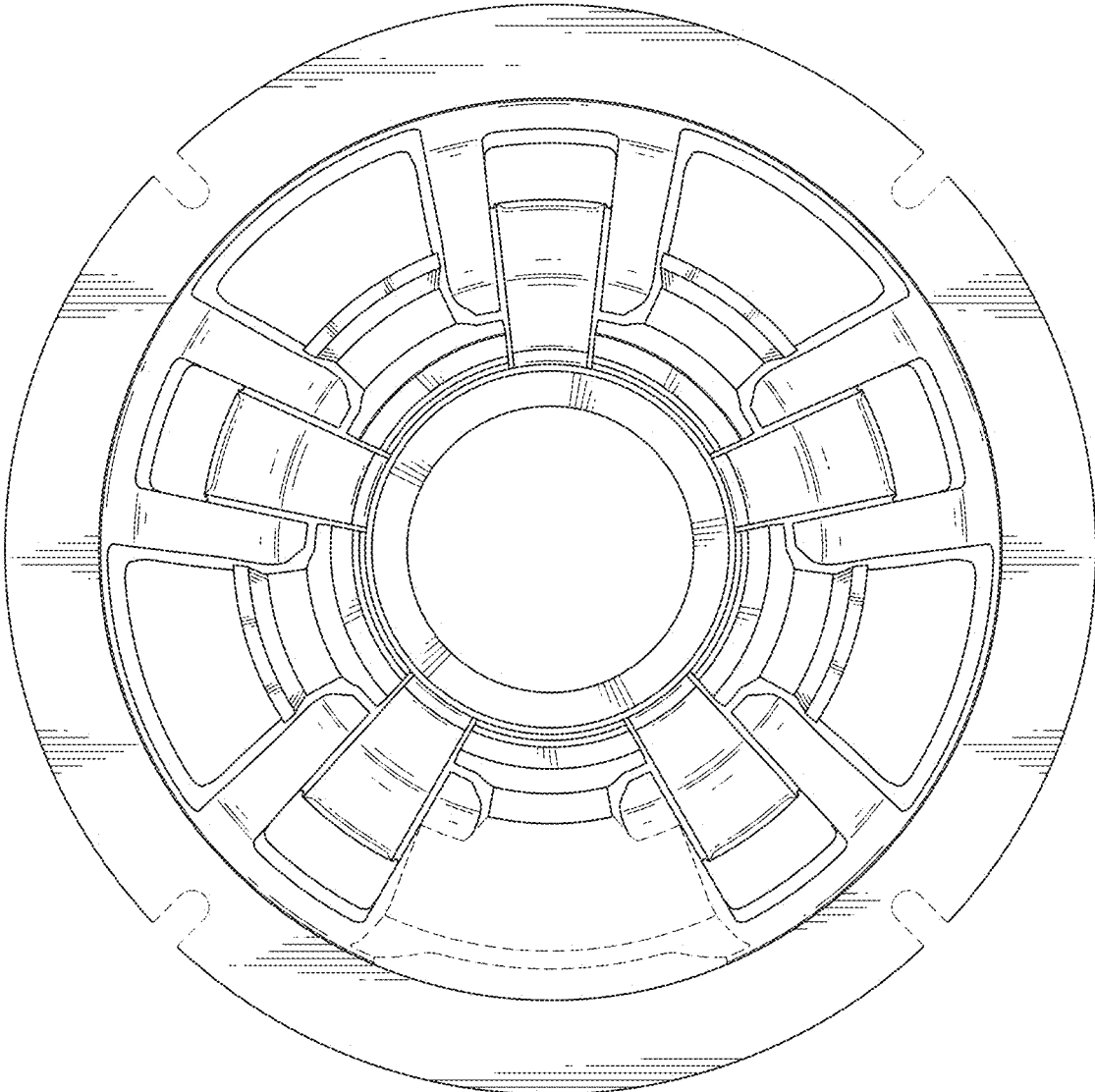


FIG. 2

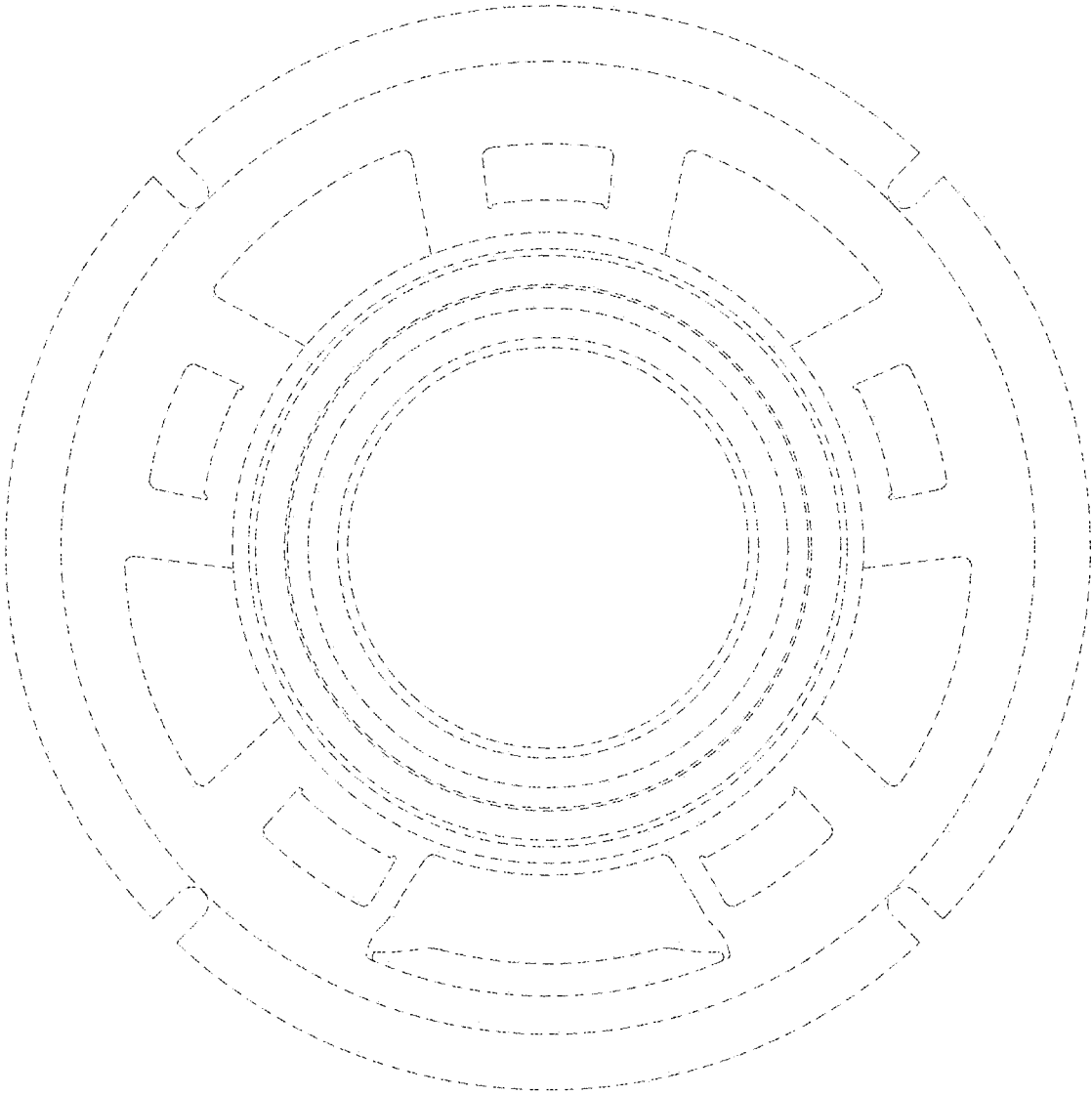


FIG. 3

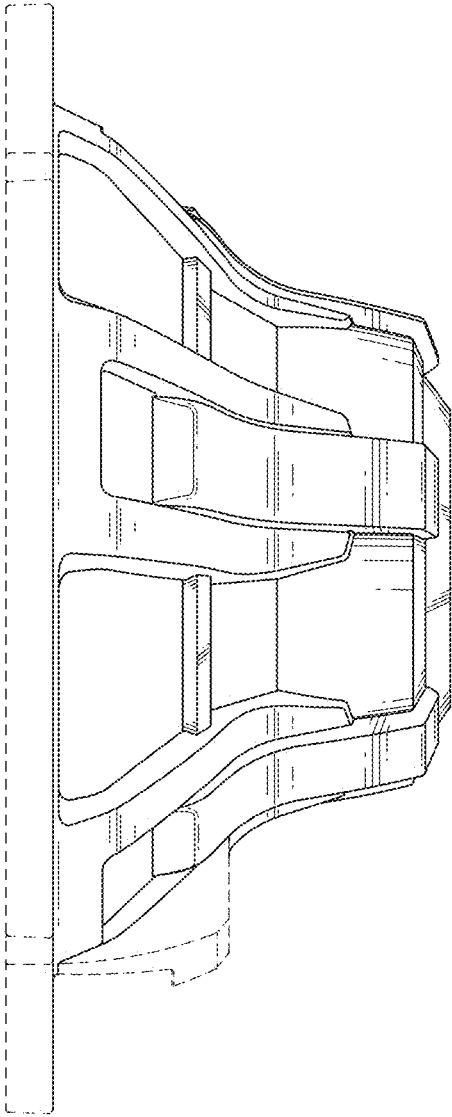


FIG. 4

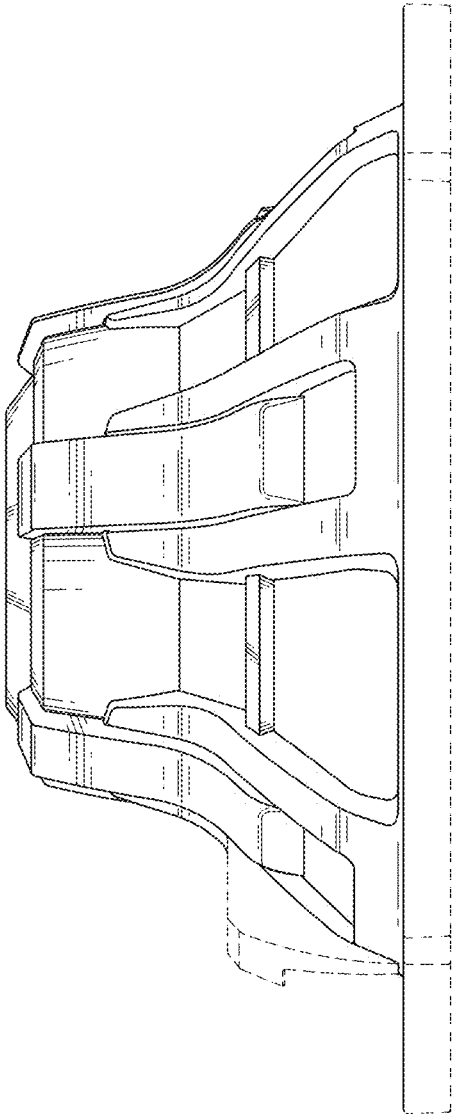


FIG. 5

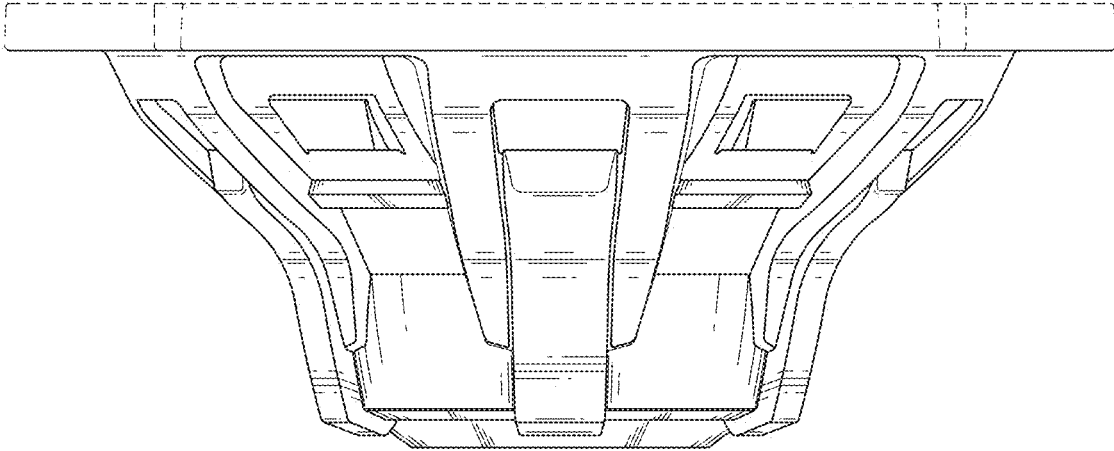


FIG. 6



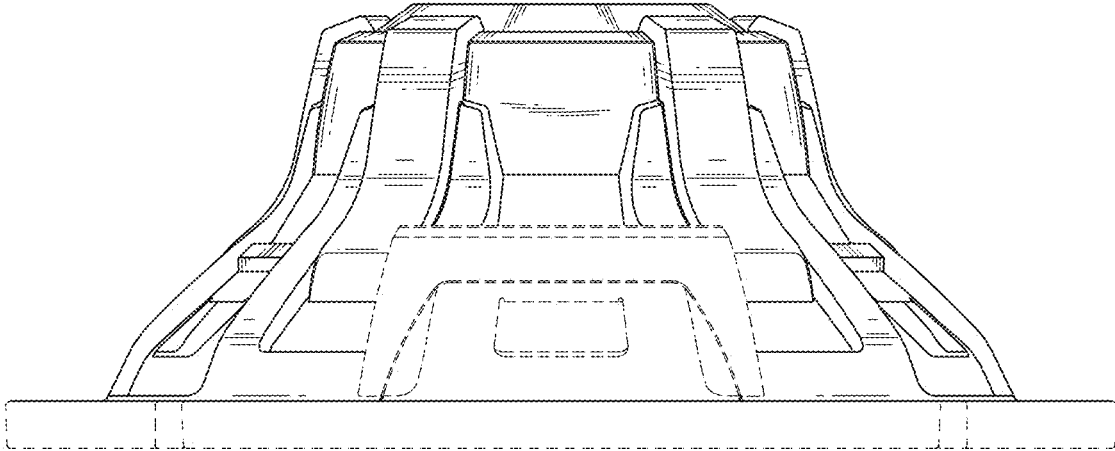


FIG. 7