



(72) KOBAYASHI, Makio, JP

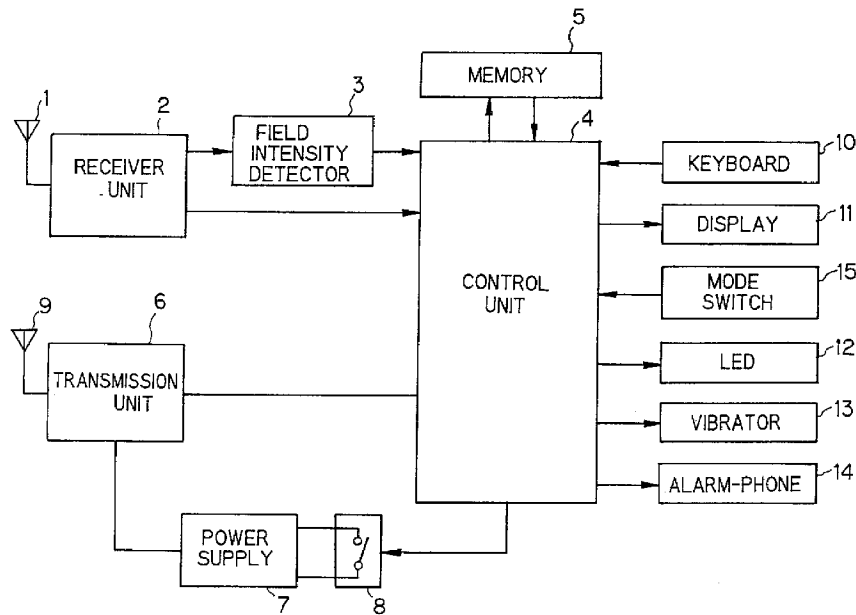
(71) NEC CORPORATION, JP

(51) Int. Cl.⁶ H04B 1/40, H04Q 7/32, H04B 1/44

(30) 1996/09/19 (8-248213) JP

(54) **TERMINAL RADIO PORTATIF**

(54) **A PORTABLE RADIO TERMINAL**



(57) Pour économiser l'énergie des terminaux radio portatifs sans nuire à la qualité de transmission, le terminal radio portatif de l'invention comprend : un détecteur d'intensité de champ (3); une unité d'émission (6); un interrupteur (8) d'alimentation pour l'unité d'émission; une mémoire (5); un dispositif (15) servant à mettre le terminal radio portatif en mode d'économie d'énergie; et une unité de commande (4) utilisée, quand le terminal radio portatif fonctionne en mode d'économie d'énergie, pour commander à l'interrupteur d'interrompre l'alimentation de l'unité d'émission quand l'intensité du champ reçu devient inférieure à un premier seuil et d'alimenter l'unité d'émission quand l'intensité du champ reçu dépasse un second seuil, pour commander à la mémoire de stocker les signaux à émettre durant l'intervalle où l'alimentation est interrompue, et pour commander à l'unité d'émission d'émettre les signaux stockés dans la mémoire quand elle est réalimentée.

(57) To economize power consumption of a portable radio terminal without impairing the transmission quality, a portable radio terminal of the invention comprises: a field intensity detector (3); a transmission unit (6); a switch (8) for supplying or cutting a power supply to the transmission unit; a memory (5); means (15) for setting the portable radio terminal to operate in a power economy mode; and a control unit (4) for controlling, when the portable radio terminal is set to operate in the power economy mode, the switch to cut the power supply to the transmission unit when the receiving field intensity becomes lower than a first threshold value and to supply the power supply to the transmission unit when the receiving field intensity is higher than a second threshold value, the memory to store the signals to be transmitted during a time interval when the power supply is cut, and the transmission unit to transmit the signals stored in the memory when the power supply is supplied to the transmission unit.

ABSTRACT

To economize power consumption of a portable radio terminal without impairing the transmission quality, a portable radio terminal of the invention comprises: a field intensity detector (3); a transmission
5 unit (6); a switch (8) for supplying or cutting a power supply to the transmission unit; a memory (5); means (15) for setting the portable radio terminal to operate in a power economy mode; and a control unit (4) for controlling, when the portable radio terminal is set to operate in the power economy mode, the switch to cut the power supply to
10 the transmission unit when the receiving field intensity becomes lower than a first threshold value and to supply the power supply to the transmission unit when the receiving field intensity is higher than a second threshold value, the memory to store the signals to be transmitted during a time interval when the power supply is cut, and the
15 transmission unit to transmit the signals stored in the memory when the power supply is supplied to the transmission unit.

A PORTABLE RADIO TERMINAL BACKGROUND OF THE INVENTION

The present invention relates to a portable radio terminal, and more particularly to a non-real-time transmission portable radio terminal having means for saving power consumption.

As a prior example of means for saving power consumption of a portable radio terminal, there is an apparatus disclosed in a Japanese patent application laid open as a Provisional Publication No. 148920/'90.

In the portable terminal of the prior art, transmission power is restricted when receiving field intensity is strong for saving the power consumption by reducing power supply to the transmission unit. The strong receiving field intensity means that there is a base station nearby, and consequently the base station can receive the signals transmitted from the portable radio terminal with a sufficient reliability even when the transmission power is restricted.

Although this disclosure concerns to an apparatus applied in a real-time transmission portable radio communication system, it is applicable to a non-real-time transmission portable radio terminal for saving the power consumption by reducing power supply to the transmission unit.

However, there is still left a following problem in the prior art when applied in the non-real-time transmission portable radio terminal.

When the receiving field intensity is weak, that is, when the base station is distant, a high transmission power, and accordingly a large power supply to the transmission unit is required. Therefore, when the transmission power level is set to be sufficient for the distant commu-

nication, it results in insufficient power saving even when the power supply is reduced only for the nearby communication. On the other hand, when the transmission power level is set low, the transmission quality becomes insufficient for the distant communication.

5

SUMMARY OF THE INVENTION

Therefore, a primary object of the invention is to provide a portable radio terminal wherein the power consumption is sufficiently economized without impairing the transmission quality.

In order to achieve the object, a portable radio terminal of the
10 invention comprises:

- a field intensity detector for detecting a receiving field intensity;
- a transmission unit for transmitting radio signals to a base station;
- a switch for supplying or cutting a power supply to the transmission unit;
- 15 a memory for storing signals to be transmitted to the base station;
- means for setting the portable radio terminal to operate in a power economy mode; and

a control unit for controlling, when the portable radio terminal is set to operate in the power economy mode, the switch to cut the
20 power supply to the transmission unit when the receiving field intensity becomes lower than a first threshold value and to supply the power supply to the transmission unit when the receiving field intensity is higher than a second threshold value, the memory to store the signals to be transmitted during a time interval when the power supply is cut,
25 and the transmission unit to transmit the signals stored in the memory when the power supply is supplied to the transmission unit.

Therefore, the ordinary transmission power can be restricted in

a small level sufficient for communicating with the base station in a short distance, in the invention, enabling efficiently saving the power consumption in the transmission unit.

BRIEF DESCRIPTION OF THE DRAWINGS

5 The foregoing, further objects, features, and advantages of this invention will become apparent from a consideration of the following description, the appended claims, and the accompanying drawings wherein the same numerals indicate the same or the corresponding parts.

10 In the drawings:

FIG. 1 is a block diagram illustrating a portable radio terminal according to an embodiment of the invention;

FIG. 2 is a flowchart illustrating control flow performed in the control unit 4 of FIG. 1 in a normal mode; and

15 FIG. 3 is a flowchart illustrating control flow performed in the control unit 4 of FIG. 1 in a power economy mode;

DETAILED DESCRIPTION OF THE PREFERRED EMBODIMENTS

Now, embodiments of the present invention will be described in
20 connection with the drawings.

FIG. 1 is a block diagram illustrating a portable radio terminal according to an embodiment of the invention.

Referring to FIG. 1, transmitted radio signals from a base station (not shown in the drawings) is received by a receiving antenna 1 and
25 supplied to a receiver unit 2. The receiver unit 2 is a device for amplifying and demodulating the received signals, and for delivering the demodulated signals to a control unit 4. Received signals amplified by

the receiver unit 2 is delivered to a field intensity detector 3. The field intensity detector 3 is a device for detecting the receiving field intensity RSSI to be supplied also to the control unit 4 referring to the received signals.

5 The control programs for controlling the portable radio terminal are stored in a memory 5. The memory 5 is also used for storing control information generated along with various operations of the portable radio terminal, and for temporary storing the signals to be transmitted to the base station.

10 The transmission unit 6 is a device for modulating and amplifying the transmission signals to be transmitted to the base station through a transmitting antenna 9. The transmission unit 6 is made active with a current supplied from a power supply 7 having a switch 8 for on-off controlling the current supply to the transmission unit 6.

15 A keyboard 10 is an input device provided for a user to input control information, commands, messages to be transmitted and so on.

 An LED (Light Emitting Diode) 12, a vibrator 13 and an alarm-phone 14 are provided for notifying an occurrence of events such as a
20 new message reception.

 A mode switch 15 is used to give a command to the control unit 4 to control the portable radio terminal to operate in a power economy mode, which is a characteristic feature of the invention.

 The control unit 4 is a control center of the portable radio terminal,
25 and electrical circuits in the control unit 4 control operations of the aforementioned parts according to programs stored in the memory 5. The main operations controlled by the control unit 4 are as follows;

- 5 -

a. Processing the demodulated signals supplied from the receiver unit 2 for driving the LED 12, the vibrator 13, or the alarm-phone 14 according thereto for notifying an occurrence of events such as a new message reception,

5 b. Storing messages included in the demodulated signals supplied from the receiver unit 2 in the memory 5, and displaying necessary information on a display 11,

c. Receiving messages input through the keyboard 10, storing the messages in the memory 5 when necessary, and transmitting the
10 messages to the base station through the transmission unit 6, and

d. Controlling operational mode of the portable radio terminal, to operate in the power economy mode, for example.

More particularly, the above operation of controlling the operational mode includes following processes;

15 (1) Selecting the power economy mode in response to an operation of the mode switch 15,

(2) Storing threshold values V1 and V2 in the memory 5, the threshold values V1 and V2 being input through the keyboard 10 and used in the control of the operational mode,

20 (3) Comparing the receiving field intensity RSSI with the threshold values V1 and V2, and controlling the on-off of the switch 8 according to the result of the comparison, and

(4) Storing, in the memory 5, suspended transmission signals, which mean transmission signals prepared in an interval when the
25 switch 8 is controlled to off-state and not yet transmitted, and transmitting the suspended transmission signals stored in the memory 5 when the switch 8 is controlled to on-state through the transmission

unit 6.

Now, detailed operation of the embodiment is described referring to flowcharts of FIGs. 2 and 3 illustrating control flow performed in the control unit 4.

5 When there is prepared a transmission signal, the control unit 4 checks first (at step 2-1 of FIG. 2) whether the power economy mode is selected or not by the mode switch 15. When the power economy mode is selected, the control flow goes to control steps corresponding to the power economy mode shown in FIG. 3.

10 Otherwise, the transmission signal is treated in an ordinary process (at step 2-2) and the control unit 4 waits another transmission signal returning to step 2-1.

15 Here, the ordinary process (at step 2-2) means operations in a normal mode, wherein the transmission and reception of signals are executed irrespective of the receiving field intensity RSSI and transmission signals, if there is any, are transmitted through the transmission unit 6 at once in real-time.

20 Now, referring to FIG. 3, in the control steps of the power economy mode, the control unit 4 compares (at step 3-1) the receiving field intensity RSSI supplied from the field intensity detector 3 with the threshold value V1 registered in the memory 5. When the receiving field intensity RSSI is stronger than the threshold value V1, the control flow returns to the ordinary process (at step 2-2 of FIG. 2).

25 On the other hand, when the receiving field intensity RSSI is weaker than the threshold value V1, a report is sent to the base station notifying that the transmission from the portable radio terminal is to be suspended (at step 3-2), and the switch 8 is controlled to off-state

(at step 3-3), cutting the current supply to the transmission unit 6.

Here, it is noted that the receiver unit 2 remains to operate normally even when the switch 8 is controlled to off-state for receiving signals transmitted from the base station.

5 Therefore, when there is a signal received by the receiver unit 2, the control unit 4 checks whether the received signal includes a response requirement or not (at step 3-4). When the response requirement is included, the control unit 4 prepares an acknowledgment signal ACK (at step 3-5), by reading out from the memory 5 or by receiving in-
10 formation through the keyboard 10, which is stored in the memory 5 (at step 3-6). When there is a transmission message input through the keyboard 10, it is detected by the control unit 4 (at step 3-7) and stored in the memory 5 in the same way (at step 3-8).

Performing steps 3-4 to 3-7, the control unit 4 checks if the power
15 economy mode is released by the mode switch 15 (at step 3-9). When the power economy mode is released, the control flow returns to the ordinary process (at step 2-2 of FIG. 2). When the power economy mode is not released, the control unit 4 compares the receiving field intensity RSSI at that time with the threshold value V2 registered in
20 the memory 5 (at step 3-10).

When the receiving field intensity RSSI is weaker than the threshold value V2, the control flow returns to step 3-4 for repeating steps 3-4 to 3-10. Thus, any acknowledgment signal ACK required from the base station or transmission messages input for transmitting to the
25 base station during the interval when the switch 8 is at off-state are safely stored in the memory 5.

When the receiving field intensity RSSI is found stronger than the

threshold value V2 at step 3-10, the control unit 4 controls the switch 8 to on-state for reopening current supply from the power supply 7 to the transmission unit 6 (at step 3-11), and sends a report (at step 3-12) notifying reopening of the signal transmission. Then, all the ACK
5 signals and the transmission messages stored in the memory 5 in the steps 3-6 and 3-8 are transmitted through the transmission unit 6 (at step 3-13). After sending the stored messages, the control flow returns to step 3-1 for comparing the receiving field intensity RSSI with the threshold value V1, and the operation in the power economy mode is
10 continued.

In general, when a distance between a portable radio terminal and a base station is long, the receiving field intensity is weak, and it is strong when the distance is short.

In the the embodiment, the switch 8 is controlled to off-state for
15 cutting the current supply from the power supply 7 to the transmission unit 6 when the receiving field intensity RSSI is week, that is, when the distance between the portable radio terminal and the base station is long, suspending the signal transmission from the portable radio terminal, which is reopened only when the receiving field intensity
20 RSSI becomes stronger than the threshold value V2, that is, when there is a base station nearby.

Therefore, the ordinary transmission power can be restricted in a small level sufficient for communicating with a base station in a short distance, in the embodiment, enabling efficiently saving the power
25 consumption in the transmission unit 6.

Further, the portable radio terminal of the embodiment has a convenience that the user can select the power economy mode by the

mode switch 15 according to his own option. There is still another convenience for the user that the two threshold values V1 and V2 can be set at desired levels through the keyboard 10, allowing the user to set the power economy level according to his usage.

5 Still further, in the embodiment, the acknowledgment signal ACK and the transmission messages can be surely transmitted since they are safely stored in the memory 5 during a period when the switch 8 is controlled to off-state and the signal transmission is suspended, and they are transmitted read out from the memory 5 when the switch 8
10 is at on-state, that is, when the receiving field intensity is sufficiently strong.

As heretofore described, the transmission power can be restricted sufficiently in the embodiment without impairing the transmission quality, enabling effectively economizing the power consumption of the
15 portable radio terminal.

What is claimed is:

1. A portable radio terminal comprising:

a field intensity detector for detecting a receiving field intensity;
a transmission unit for transmitting radio signals to a base station;
a switch for supplying or cutting a power supply to said transmis-
5 sion unit;

a memory for storing signals to be transmitted to the base station;
and

a control unit for controlling said switch to cut said power supply
to said transmission unit when said receiving field intensity
10 becomes lower than a first threshold value and to supply said
power supply to said transmission unit when said receiving field
intensity is higher than a second threshold value, said memory
to store said signals to be transmitted during a time interval
when said power supply is cut, and said transmission unit to
15 transmit said signals stored in said memory when said power
supply is supplied to said transmission unit.

2. The portable radio terminal recited in claim 1, further com-
prising an input device for setting levels of said first threshold value
and said second threshold value from outside.

3. A portable radio terminal comprising:

a field intensity detector for detecting a receiving field intensity;
a transmission unit for transmitting radio signals to a base station;
a switch for supplying or cutting a power supply to said transmis-
5 sion unit;

a memory for storing signals to be transmitted to the base station;
means for setting the portable radio terminal to operate in a power

- 11 -

economy mode; and

10 a control unit for controlling, when the portable radio terminal is
set to operate in said power economy mode, said switch to cut
said power supply to said transmission unit when said receiving
field intensity becomes lower than a first threshold value and
to supply said power supply to said transmission unit when
said receiving field intensity is higher than a second thresh-
15 old value, said memory to store said signals to be transmitted
during a time interval when said power supply is cut, and said
transmission unit to transmit said signals stored in said mem-
ory when said power supply is supplied to said transmission
unit.

4. The portable radio terminal recited in claim 4, further comprising an input device for setting levels of said first threshold value and said second threshold value from outside.

**Smart & Biggar
Ottawa, Canada
Patent Agents**

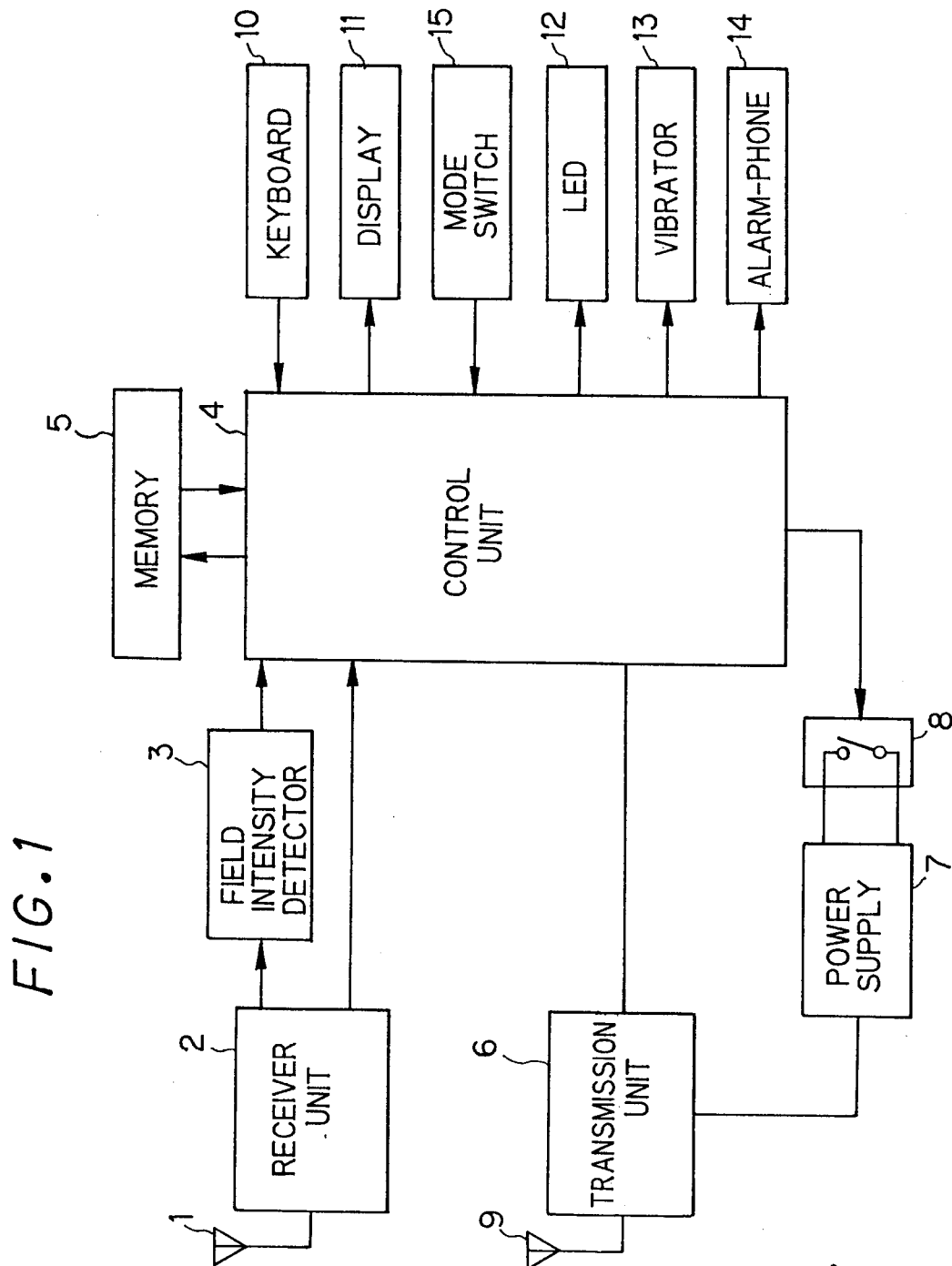
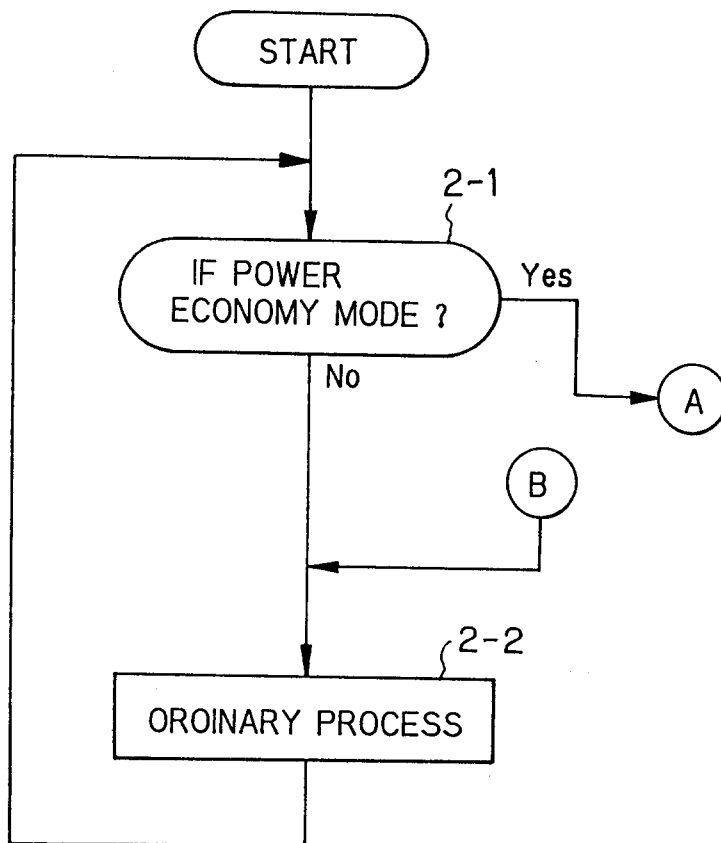


FIG. 1

Patent Agents
Smart & Biggar

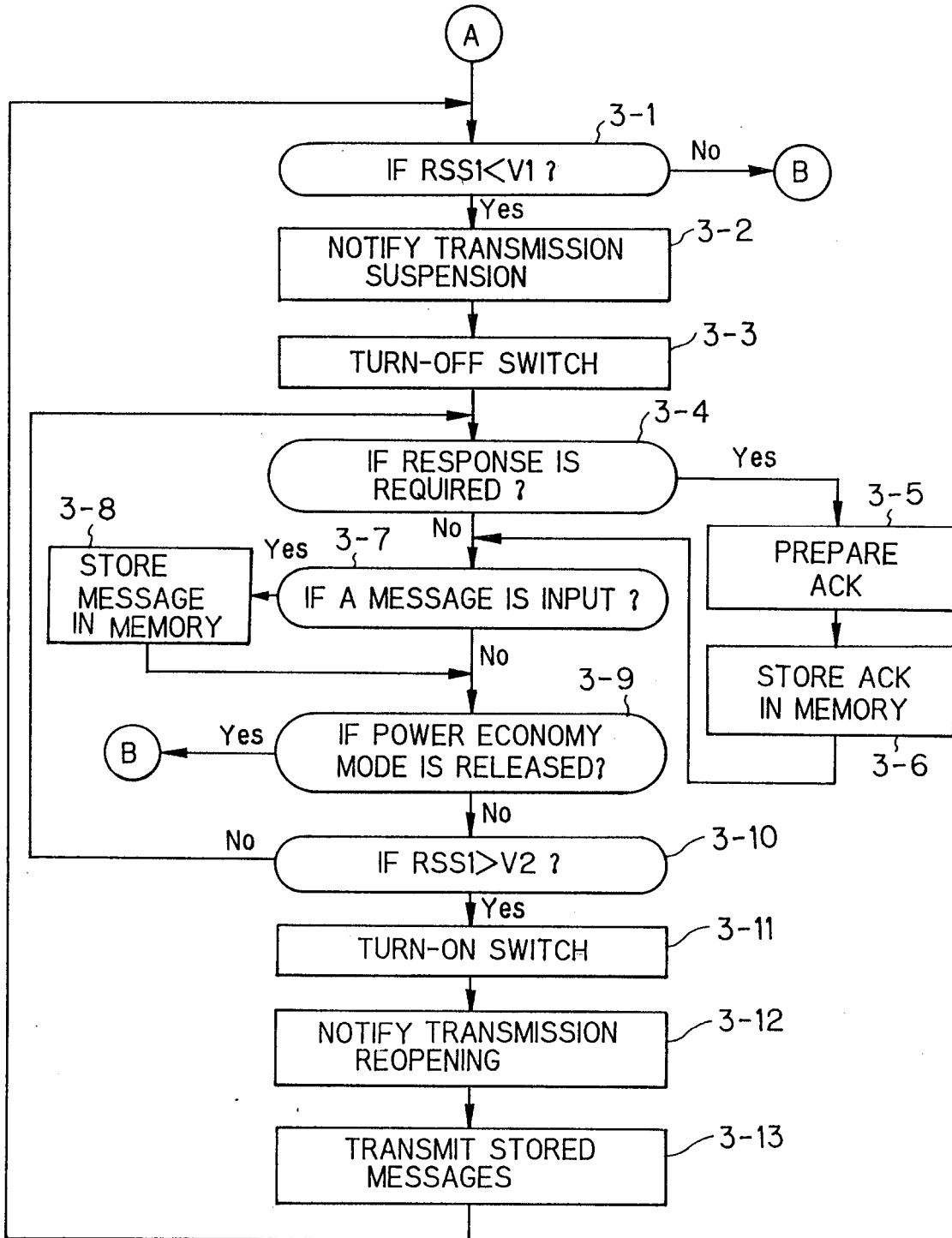
2/3

FIG. 2



Patent Agents
Smart & Biggar

FIG. 3



Patent Agents
Smart & Biggar

