



US00D896325S

(12) **United States Design Patent** (10) **Patent No.:** **US D896,325 S**
Sundblad (45) **Date of Patent:** **** Sep. 15, 2020**

- (54) **KETTLEBELL HANDLE** 7,883,452 B1 * 2/2011 Chen A63B 21/4035 482/93
- (71) Applicant: **Andrew Sundblad**, Oakland, CA (US) D644,701 S 9/2011 Towley, III
- (72) Inventor: **Andrew Sundblad**, Oakland, CA (US) D647,185 S 10/2011 Gilbert
- (**) Term: **15 Years** D651,672 S 1/2012 Towley, III
- (21) Appl. No.: **29/735,556** D652,877 S 1/2012 Dalebout
- (22) Filed: **May 21, 2020** D653,715 S 2/2012 Tumminia

- D653,716 S * 2/2012 Lin D21/682
- D654,971 S 2/2012 Januszek
- D664,613 S 7/2012 Dalebout
- D683,803 S 6/2013 Childs
- D685,866 S 7/2013 Kinsbourne
- D692,509 S 10/2013 Kessler
- 8,784,280 B2 7/2014 Krull
- D715,177 S 10/2014 Vaughan
- 8,858,406 B2 10/2014 Klukas
- D726,842 S 4/2015 Ross

Related U.S. Application Data

- (63) Continuation-in-part of application No. 29/703,148, filed on Aug. 23, 2019.
- (51) **LOC (12) Cl.** **21-02**
- (52) **U.S. Cl.** **D21/682**
- (58) **Field of Classification Search**
- USPC D21/680, 682, 694
- CPC A63B 21/072; A63B 21/0728; A63B 21/4035; A63B 21/075
- See application file for complete search history.

Primary Examiner — George D. Kirschbaum
(74) *Attorney, Agent, or Firm* — Quickpatents, LLC; Kevin Prince

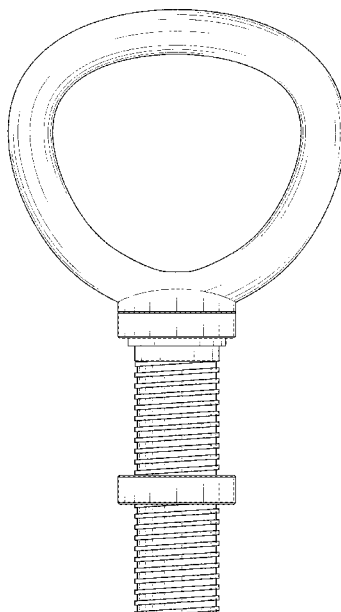
(57) **CLAIM**
The ornamental design for a kettlebell handle, as shown and described.

DESCRIPTION

- (56) **References Cited**
- U.S. PATENT DOCUMENTS
- 1,316,683 A 9/1919 Calvert
- D212,104 S 8/1968 McDonald
- D268,437 S 3/1983 Giordano
- D481,771 S 11/2003 Anderson
- D502,747 S 3/2005 Anderson
- D505,459 S 5/2005 Lagattuta
- D522,594 S 6/2006 Donahue
- D522,595 S 6/2006 Donahue
- D571,418 S 6/2008 Gormley
- 7,381,157 B2 * 6/2008 Blateri A63B 21/075 482/106
- D616,949 S 6/2010 Wang
- D628,251 S * 11/2010 Krull D21/682

FIG. 1 is a perspective view of a kettlebell handle, showing my new design as fitted with weights partially broken away; FIG. 2 is a perspective view of FIG. 1, but with the weights omitted; FIG. 3 is a front elevational view thereof; FIG. 4 is a rear elevational view thereof; FIG. 5 is a left-side elevational view thereof; FIG. 6 is a right-side elevational view thereof; FIG. 7 is a top plan view thereof; and, FIG. 8 is a bottom plan view thereof. The broken lines showing weights in FIG. 1 depict environmental matter and form no part of the claimed design.

1 Claim, 6 Drawing Sheets



(56)

References Cited

U.S. PATENT DOCUMENTS

D726,843	S	4/2015	Barton	
D728,040	S	4/2015	Peterson	
D730,459	S	5/2015	Tumminia	
D752,159	S	3/2016	Anderson	
D796,592	S	9/2017	Towley	
9,795,823	B2	10/2017	Wyncott	
D804,592	S	12/2017	Wittmack	
D811,019	S	2/2018	Alton	
D818,546	S	5/2018	Martin	
D827,735	S	9/2018	Ross	
D827,736	S	9/2018	Meyer	
D832,942	S	11/2018	Arceta	
10,166,429	B2 *	1/2019	Chen	A63B 21/0728
D843,508	S	3/2019	Pawlas	
D843,511	S	3/2019	Harrison	
D844,718	S	4/2019	Buikema	
D877,824	S *	3/2020	Chiang	D21/680
D879,888	S *	3/2020	Flick	D21/680
D879,891	S *	3/2020	Sundblad	D21/694
10,603,537	B2 *	3/2020	Collier	A63B 21/072
D884,097	S *	5/2020	Ameri	D21/694
2007/0135274	A1	6/2007	Blateri	
2017/0246495	A1	8/2017	Wyncott	
2019/0217146	A1	7/2019	Sisler	
2019/0344113	A1	11/2019	Tran	
2020/0078632	A1	3/2020	Owusu	

* cited by examiner

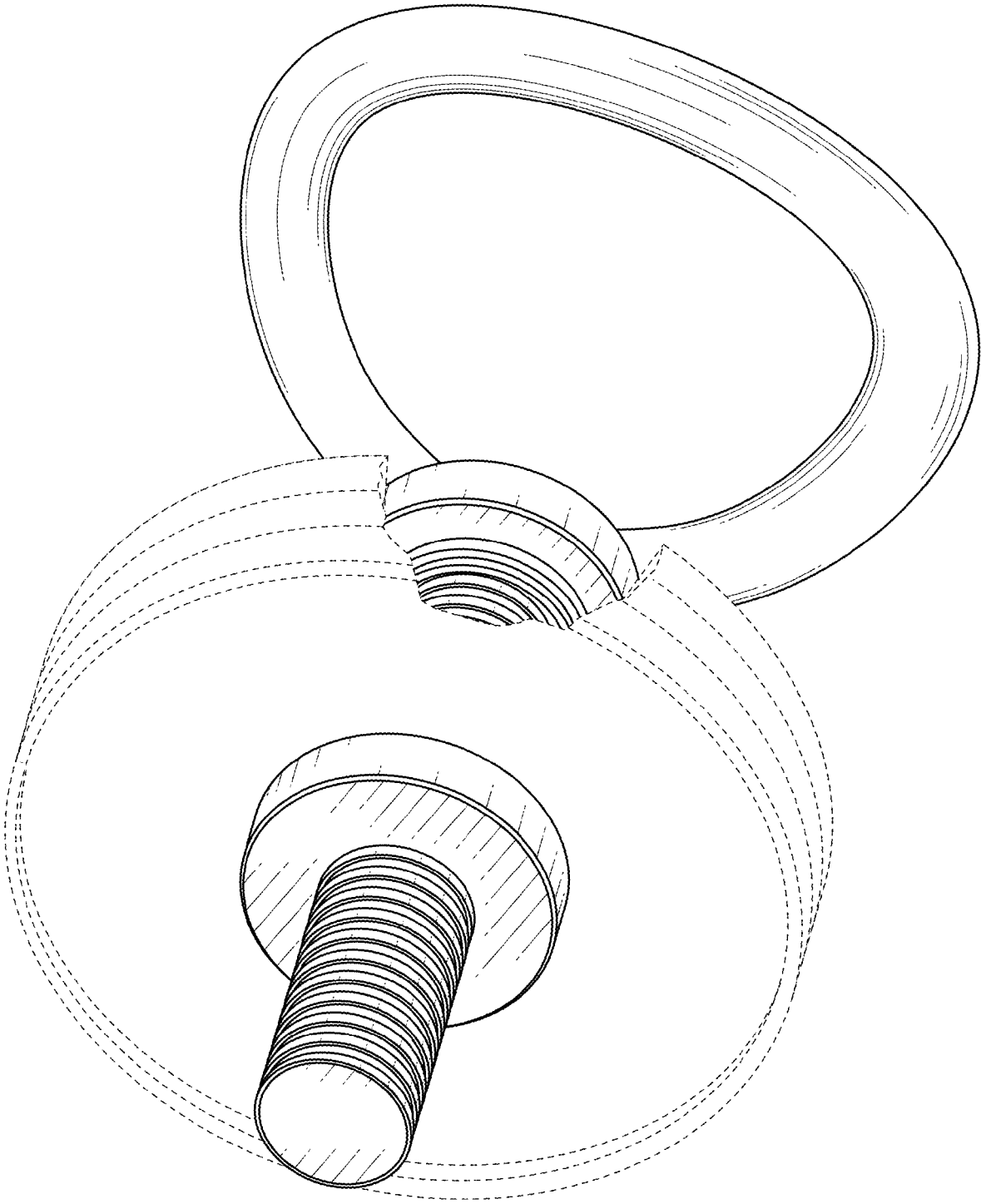


FIG. 1

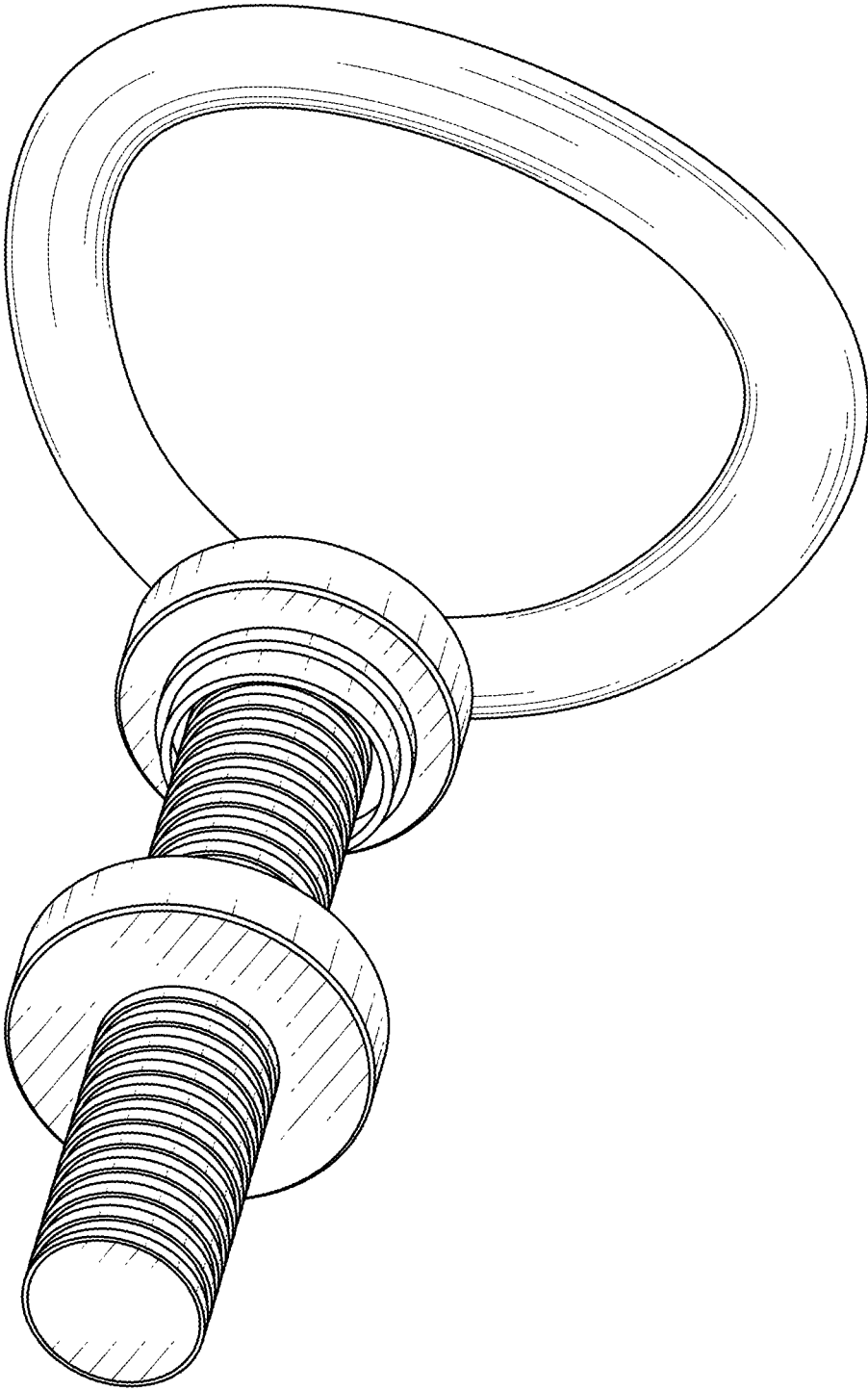


FIG. 2

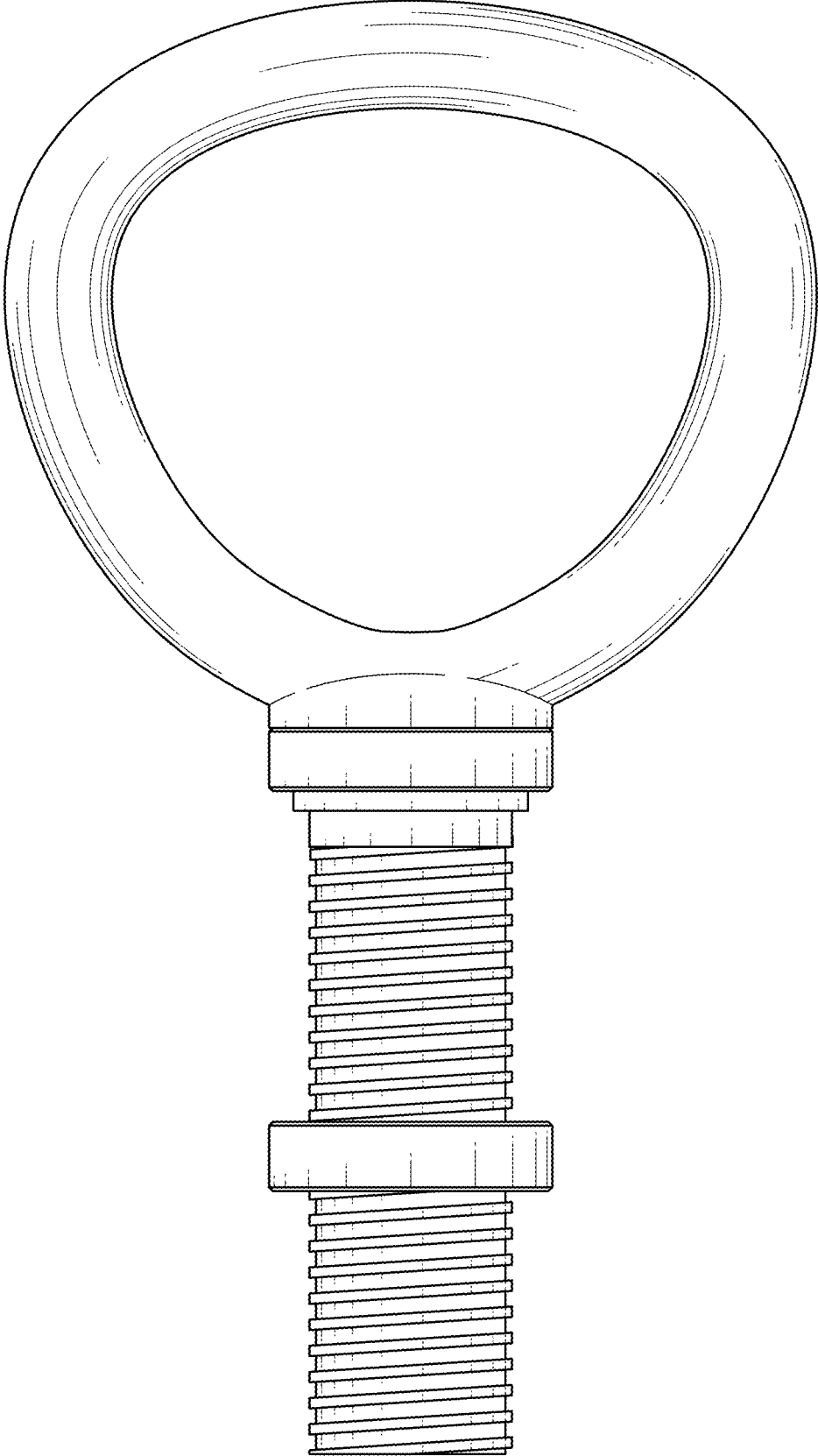


FIG. 3

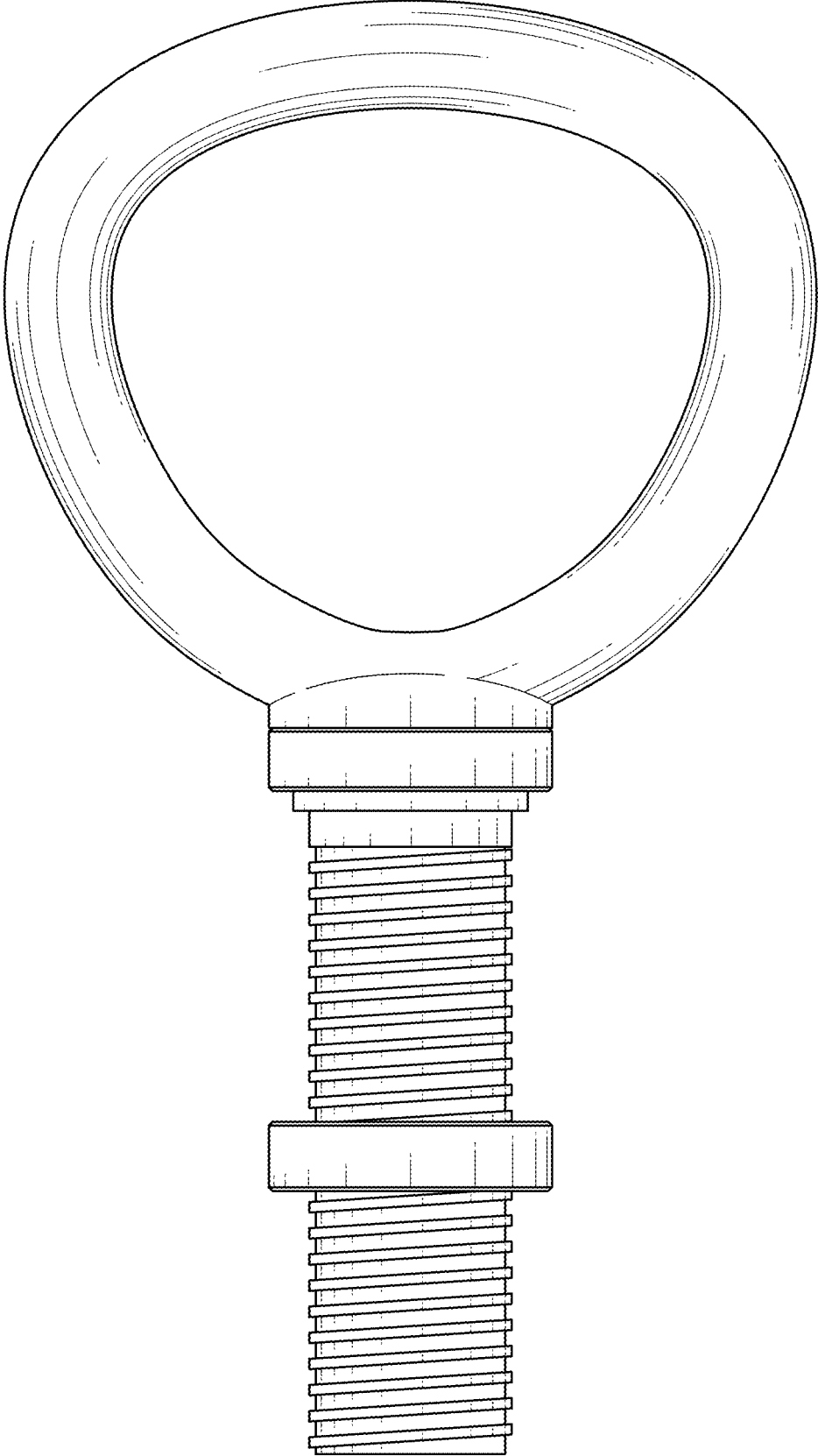


FIG. 4

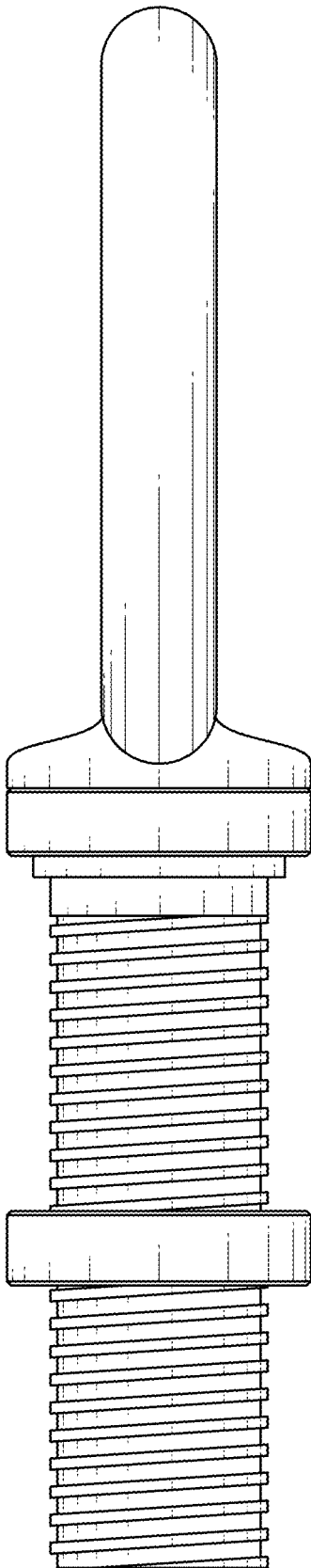


FIG. 5

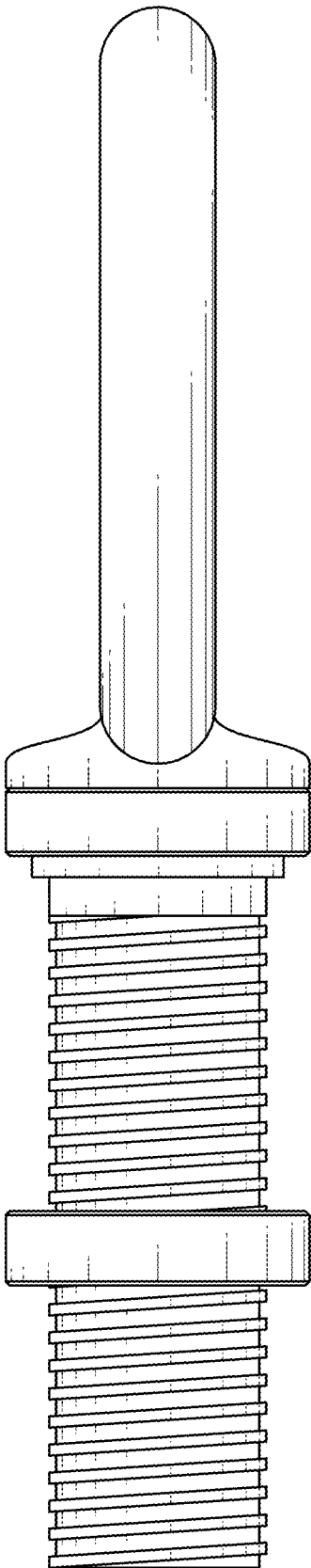


FIG. 6

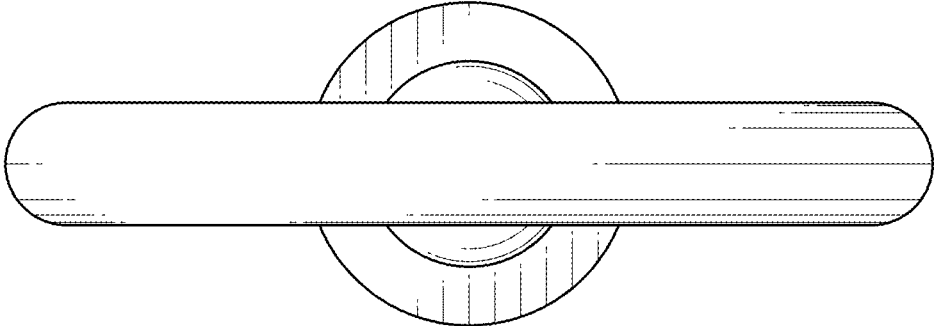


FIG. 7

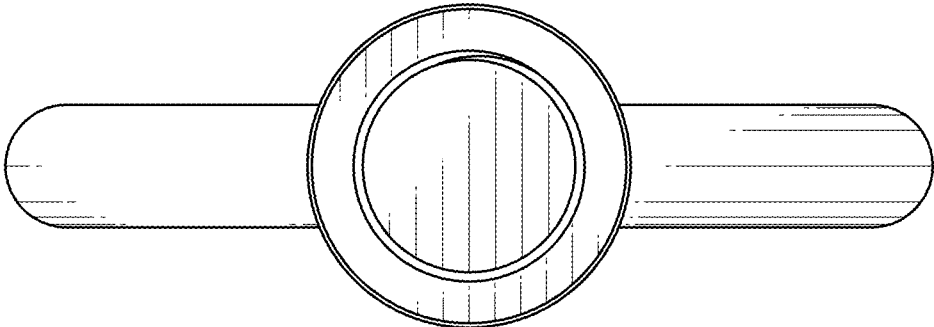


FIG. 8