

(19) World Intellectual Property Organization
International Bureau



(10) International Publication Number
WO 2009/108821 A3

(43) International Publication Date
3 September 2009 (03.09.2009)

(51) International Patent Classification:
A01K 15/02 (2006.01) A63H 30/04 (2006.01)
A01K 29/00 (2006.01)

(74) Agent: STEIN, David, D.; Boyle Fredrickson,s.c., 840 North Plankinton Avenue, Milwaukee, WI 53203 (US).

(21) International Application Number:
PCT/US2009/035356

(81) Designated States (unless otherwise indicated, for every kind of national protection available): AE, AG, AL, AM, AO, AT, AU, AZ, BA, BB, BG, BH, BR, BW, BY, BZ, CA, CH, CN, CO, CR, CU, CZ, DE, DK, DM, DO, DZ, EC, EE, EG, ES, FI, GB, GD, GE, GH, GM, GT, HN, HR, HU, ID, IL, IN, IS, JP, KE, KG, KM, KN, KP, KR, KZ, LA, LC, LK, LR, LS, LT, LU, LY, MA, MD, ME, MG, MK, MN, MW, MX, MY, MZ, NA, NG, NI, NO, NZ, OM, PG, PH, PL, PT, RO, RS, RU, SC, SD, SE, SG, SK, SL, SM, ST, SV, SY, TJ, TM, TN, TR, TT, TZ, UA, UG, US, UZ, VC, VN, ZA, ZM, ZW.

(22) International Filing Date:
26 February 2009 (26.02.2009)

(25) Filing Language: English

(26) Publication Language: English

(30) Priority Data:
61/067,241 26 February 2008 (26.02.2008) US

(71) Applicant (for all designated States except US): **GHL INTERNATIONAL, INC** [US/US]; N144 W5660 Pioneer Road, Cedarburg, WI 53012 (US).

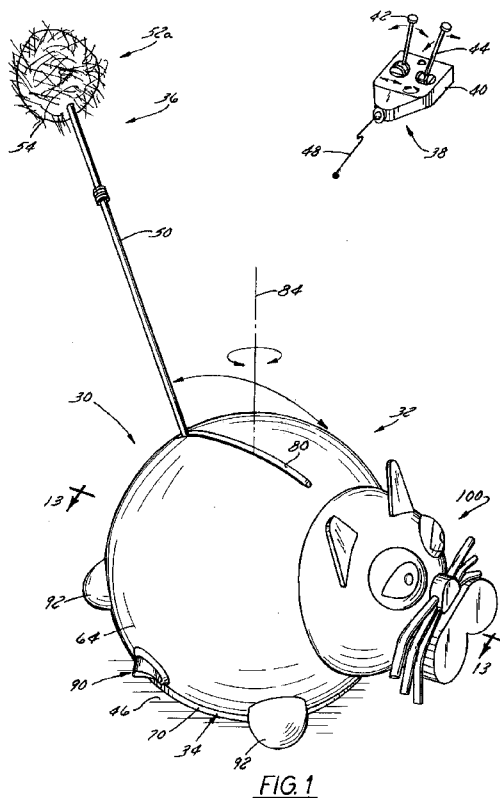
(84) Designated States (unless otherwise indicated, for every kind of regional protection available): ARIPO (BW, GH, GM, KE, LS, MW, MZ, NA, SD, SL, SZ, TZ, UG, ZM, ZW), Eurasian (AM, AZ, BY, KG, KZ, MD, RU, TJ, TM), European (AT, BE, BG, CH, CY, CZ, DE, DK, EE, ES, FI, FR, GB, GR, HR, HU, IE, IS, IT, LT, LU, LV, MC, MK, MT, NL, NO, PL, PT, RO, SE, SI, SK, TR),

(72) Inventor; and

(75) Inventor/Applicant (for US only): **GREPPER, Ryan** [US/US]; 7330 Fay Avenue #b, La Jolla, CA 92037 (US).

[Continued on next page]

(54) Title: REMOTELY OPERABLE USER CONTROLLED PET ENTERTAINMENT DEVICE





OAPI (BF, BJ, CF, CG, CI, CM, GA, GN, GQ, GW, ML, MR, NE, SN, TD, TG). (88) Date of publication of the international search report:
25 February 2010

Published:

— *with international search report (Art. 21(3))*

A. CLASSIFICATION OF SUBJECT MATTER*A01K 15/02(2006.01)i, A01K 29/00(2006.01)i, A63H 30/04(2006.01)i*

According to International Patent Classification (IPC) or to both national classification and IPC

B. FIELDS SEARCHED

Minimum documentation searched (classification system followed by classification symbols)

IPC A01K 29/00, A01K 15/02

Documentation searched other than minimum documentation to the extent that such documents are included in the fields searched

Electronic data base consulted during the international search (name of data base and, where practicable, search terms used)

eKOMPASS (KIPO internal), USPTO, Delphion

C. DOCUMENTS CONSIDERED TO BE RELEVANT

Category*	Citation of document, with indication, where appropriate, of the relevant passages	Relevant to claim No.
X	US 6684819 B1 (Carl L. Locke) 03 February 2004 See abstract; figures 1-4; columns 1-4; and claims 1-8	1-38
X A	US 2006/185617 A1 (Elizabeth Kenny) 24 August 2006 See abstract; figures 1-19; pages 2-5; and claims 1-14	1 2-38
X A	US 5829391 (Mark Howard Krietzman et. al.) 03 November 1998 See abstract; figures 1-7; columns 2-6; and claims 1-14	1 2-38
A	US 5778825 (Mark Howard Krietzman et. al.) 14 July 1998 See abstract; figures 1-4A; columns 2-5; and claims 1-17	1-38
A	US 5529017 (Steven D. Udelle et. al.) 25 June 1996 See abstract; figures 1a-2b; columns 1-4; and claims 1-4	1-38

 Further documents are listed in the continuation of Box C. See patent family annex.

* Special categories of cited documents:

"A" document defining the general state of the art which is not considered to be of particular relevance

"E" earlier application or patent but published on or after the international filing date

"L" document which may throw doubts on priority claim(s) or which is cited to establish the publication date of citation or other special reason (as specified)

"O" document referring to an oral disclosure, use, exhibition or other means

"P" document published prior to the international filing date but later than the priority date claimed

"T" later document published after the international filing date or priority date and not in conflict with the application but cited to understand the principle or theory underlying the invention

"X" document of particular relevance; the claimed invention cannot be considered novel or cannot be considered to involve an inventive step when the document is taken alone

"Y" document of particular relevance; the claimed invention cannot be considered to involve an inventive step when the document is combined with one or more other such documents, such combination being obvious to a person skilled in the art

"&" document member of the same patent family

Date of the actual completion of the international search

31 DECEMBER 2009 (31.12.2009)

Date of mailing of the international search report

04 JANUARY 2010 (04.01.2010)

Name and mailing address of the ISA/KR

Korean Intellectual Property Office
Government Complex-Daejeon, 139 Seonsa-ro, Seo-
gu, Daejeon 302-701, Republic of Korea

Facsimile No. 82-42-472-7140

Authorized officer

JUNG, Jin Wook

Telephone No. 82-42-481-8167



INTERNATIONAL SEARCH REPORT

Information on patent family members

International application No.

PCT/US2009/035356

Patent document cited in search report	Publication date	Patent family member(s)	Publication date
US 06684819 B1	03.02.2004	None	
US 2006-0185617 A1	24.08.2006	US 2005-0178342 A1	18.08.2005
US 5829391	03.11.1998	None	
US 5778825	14.07.1998	None	
US 5529017	25.06.1996	None	