



US0D1027304S

(12) **United States Design Patent**  
**Wang**

(10) **Patent No.:** **US D1,027,304 S**

(45) **Date of Patent:** **\*\* May 14, 2024**

(54) **WAX WARMER**

(71) Applicant: **Huiru Wang**, Foshan (CN)

(72) Inventor: **Huiru Wang**, Foshan (CN)

(\*\*) Term: **15 Years**

(21) Appl. No.: **29/841,124**

(22) Filed: **Jun. 3, 2022**

(30) **Foreign Application Priority Data**

Dec. 23, 2021 (CN) ..... 202130852092.7

(51) **LOC (14) Cl.** ..... **28-03**

(52) **U.S. Cl.**  
USPC ..... **D28/44.1; D28/58; D24/200**

(58) **Field of Classification Search**  
USPC ..... D28/44-44.1, 58-59; D24/200  
CPC .. A45D 26/00; A45D 29/18-20; A45D 29/00;  
A45D 26/0014  
See application file for complete search history.

(56) **References Cited**

**U.S. PATENT DOCUMENTS**

D720,063	S	*	12/2014	Li	.....	D23/366
D932,641	S	*	10/2021	Mo	.....	D24/200
D933,248	S	*	10/2021	Liu	.....	D24/200
D940,955	S	*	1/2022	Wei	.....	D28/44.1
D942,077	S	*	1/2022	Wei	.....	D28/44.1
D943,756	S	*	2/2022	Lin	.....	D28/44.1
D948,120	S	*	4/2022	Liu	.....	D28/44.1
D948,736	S	*	4/2022	Deng	.....	D28/44.1

**OTHER PUBLICATIONS**

10lb Electric Wax Melter for Candle making by Bare Botanics Store, www.amazon.com, 1 page, first available Nov. 2022 (Year: 2022).\*

100W-400ml Wax Heater Foldable Silicone Wax Machine, www.takealot.com, 1 page, reviewed as early as Jan. 5, 2023 (Year: 2023).\*

\* cited by examiner

*Primary Examiner* — Jennifer Rivard

(57) **CLAIM**

The ornamental design for a wax warmer, as shown and described.

**DESCRIPTION**

FIG. 1 is a perspective view of a wax warmer, showing my new design;

FIG. 2 is another perspective view thereof;

FIG. 3 is a front elevational view thereof;

FIG. 4 is a rear elevational view thereof;

FIG. 5 is a left elevational view thereof;

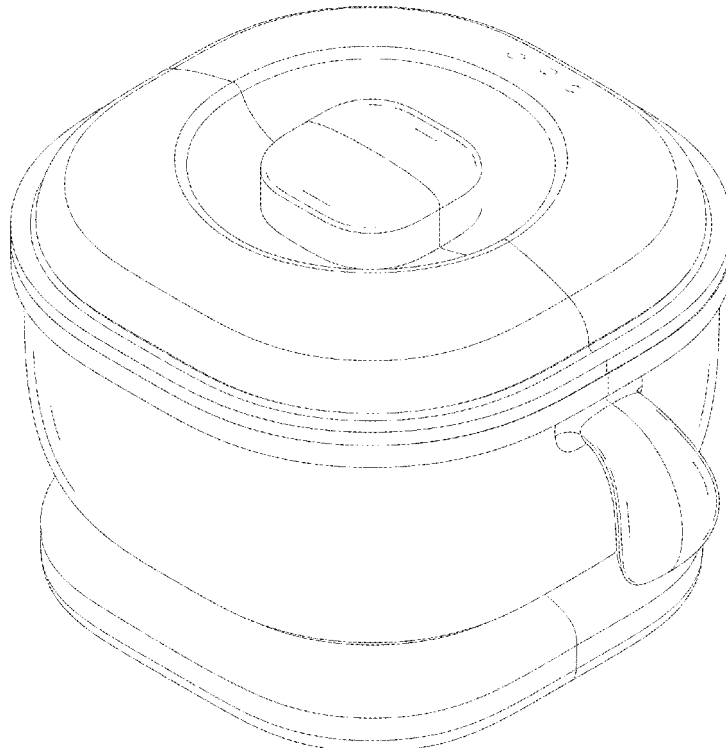
FIG. 6 is a right elevational view thereof;

FIG. 7 is a top plan view thereof; and,

FIG. 8 is a bottom plan view thereof.

The broken lines in the drawings depict portions of the wax warmer and form no part of the claimed design.

**1 Claim, 8 Drawing Sheets**



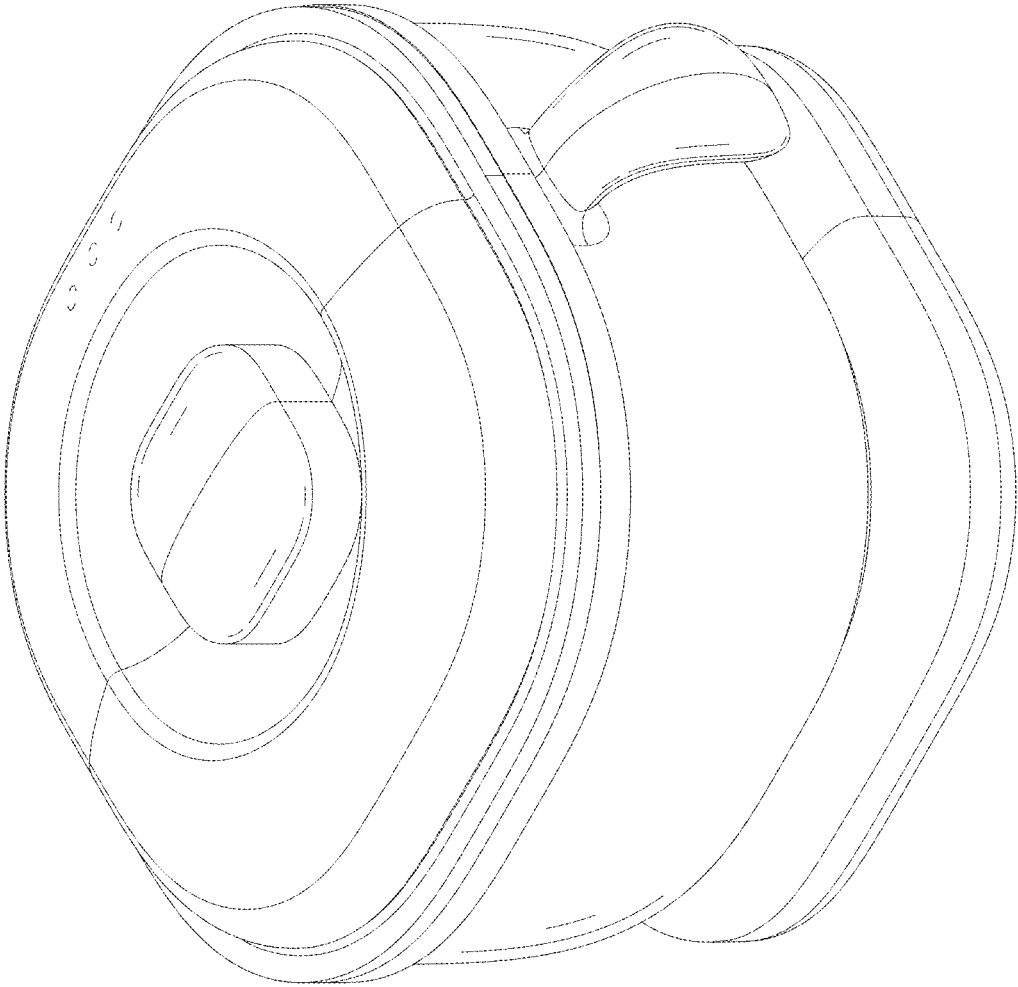


FIG.1

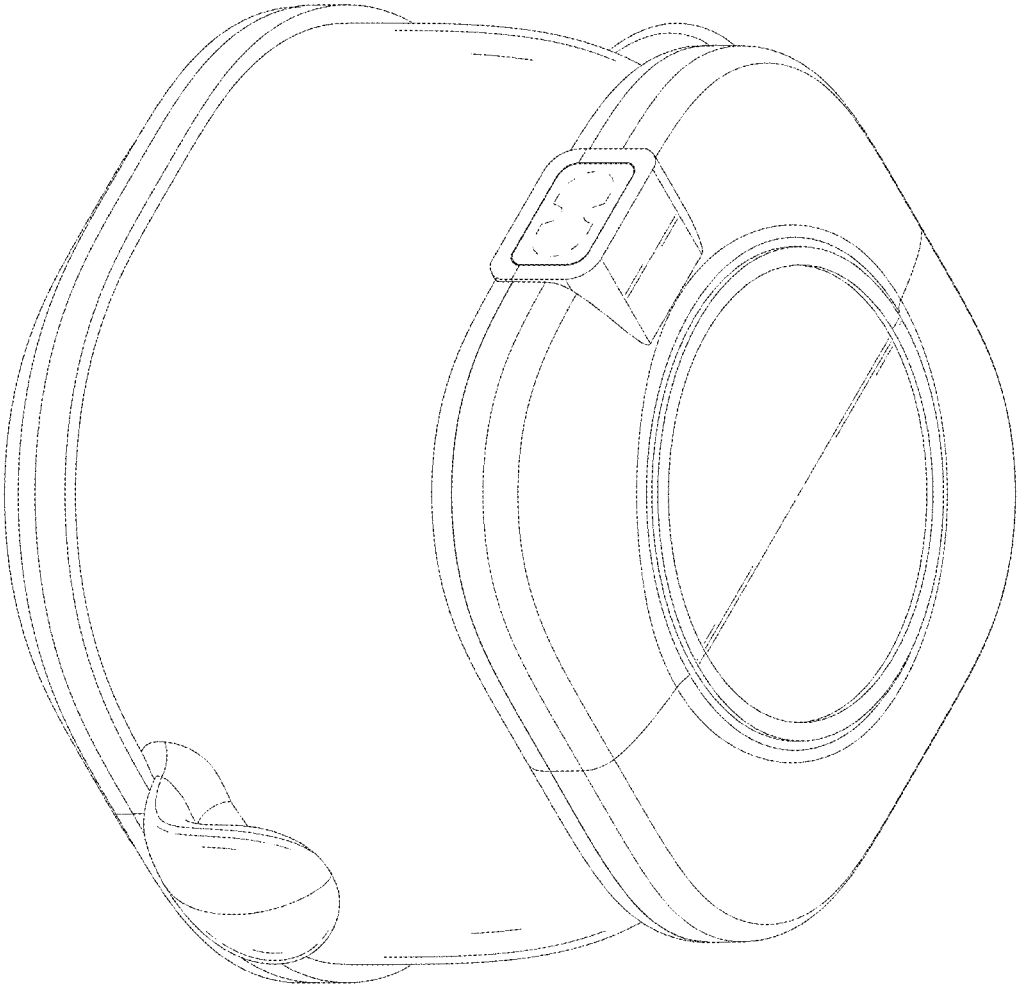


FIG. 2

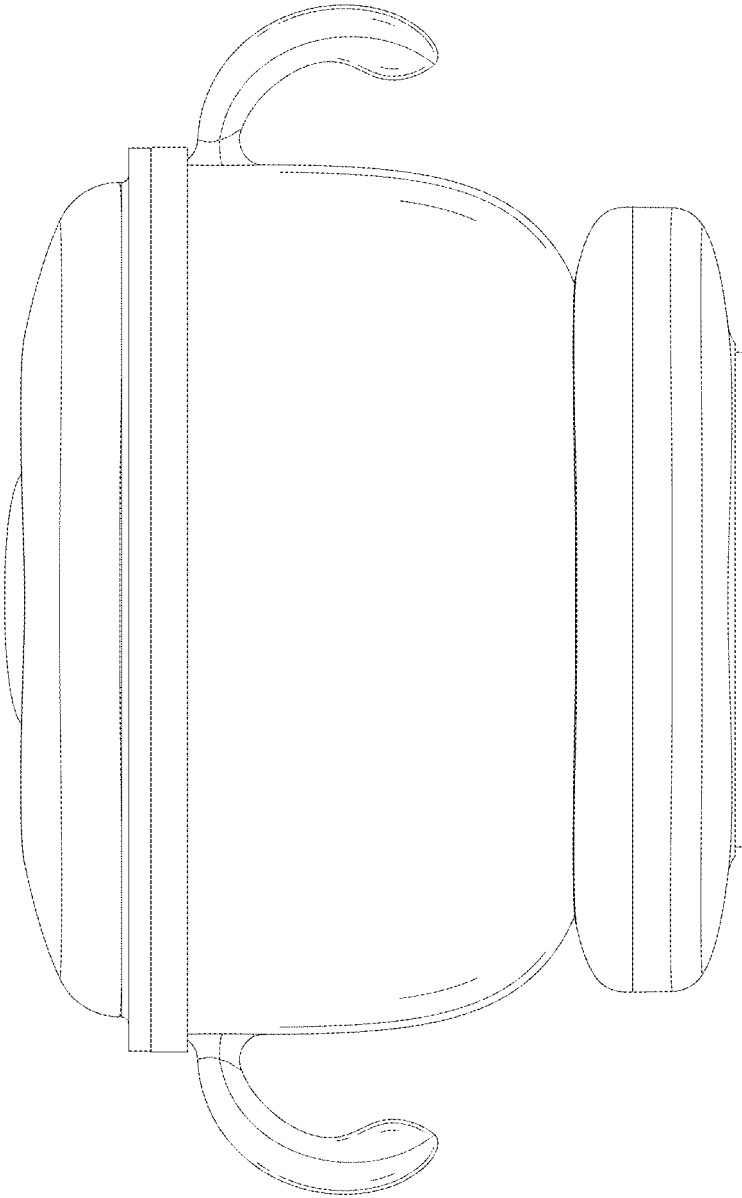


FIG. 3

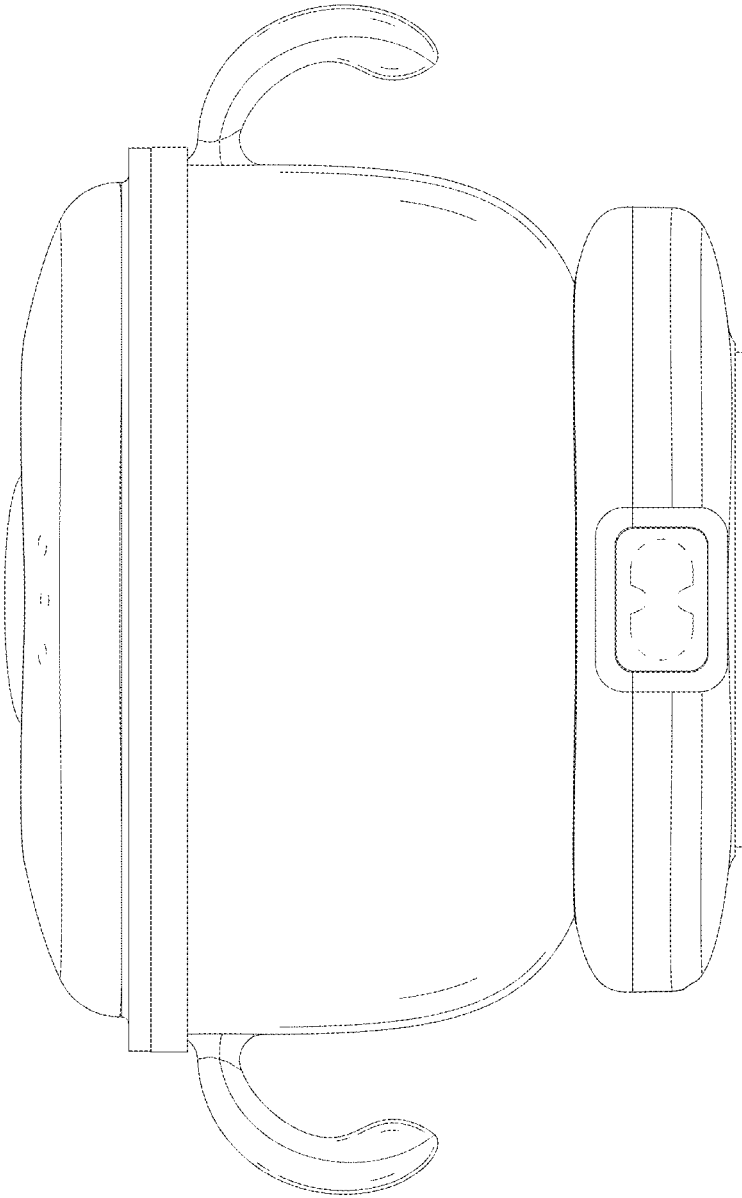


FIG.4

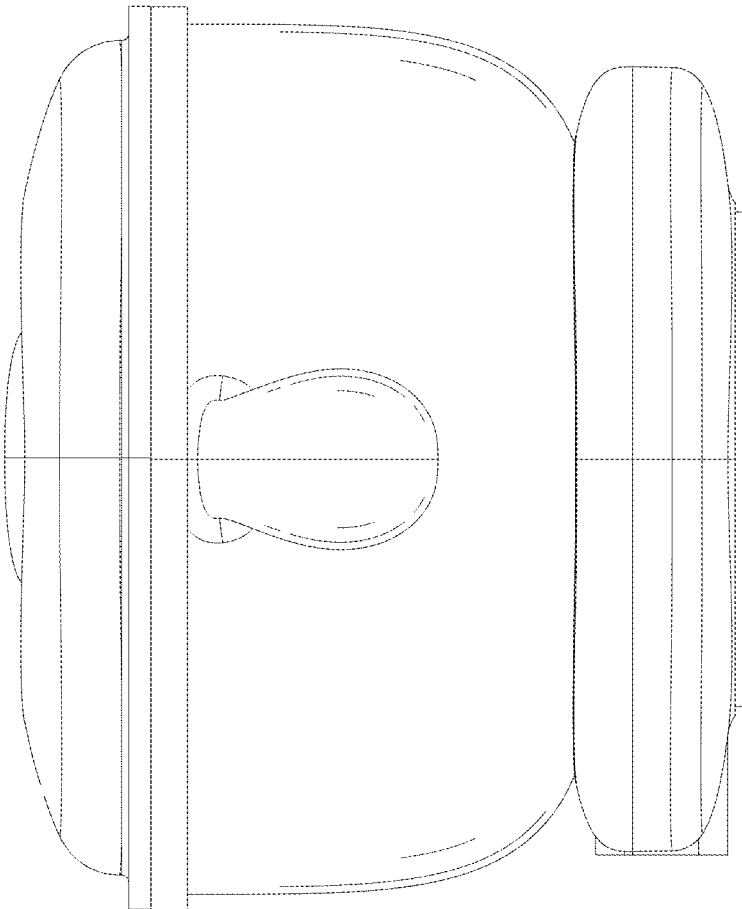


FIG. 5

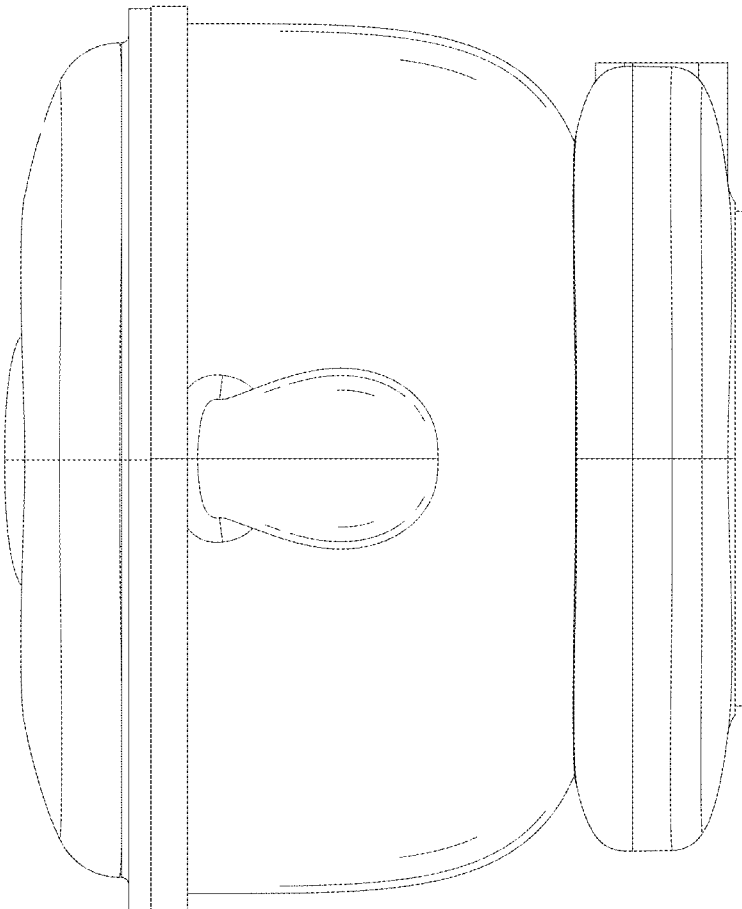


FIG.6

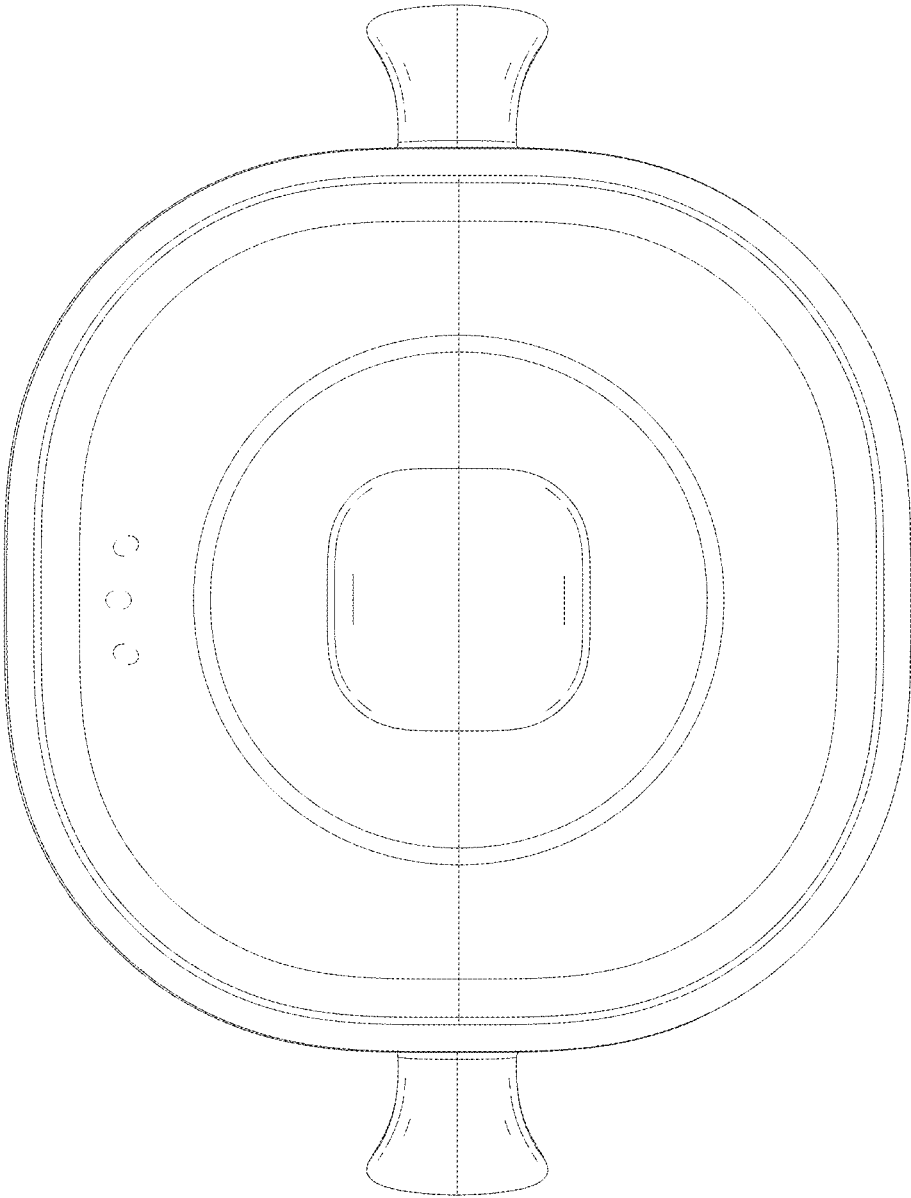


FIG.7

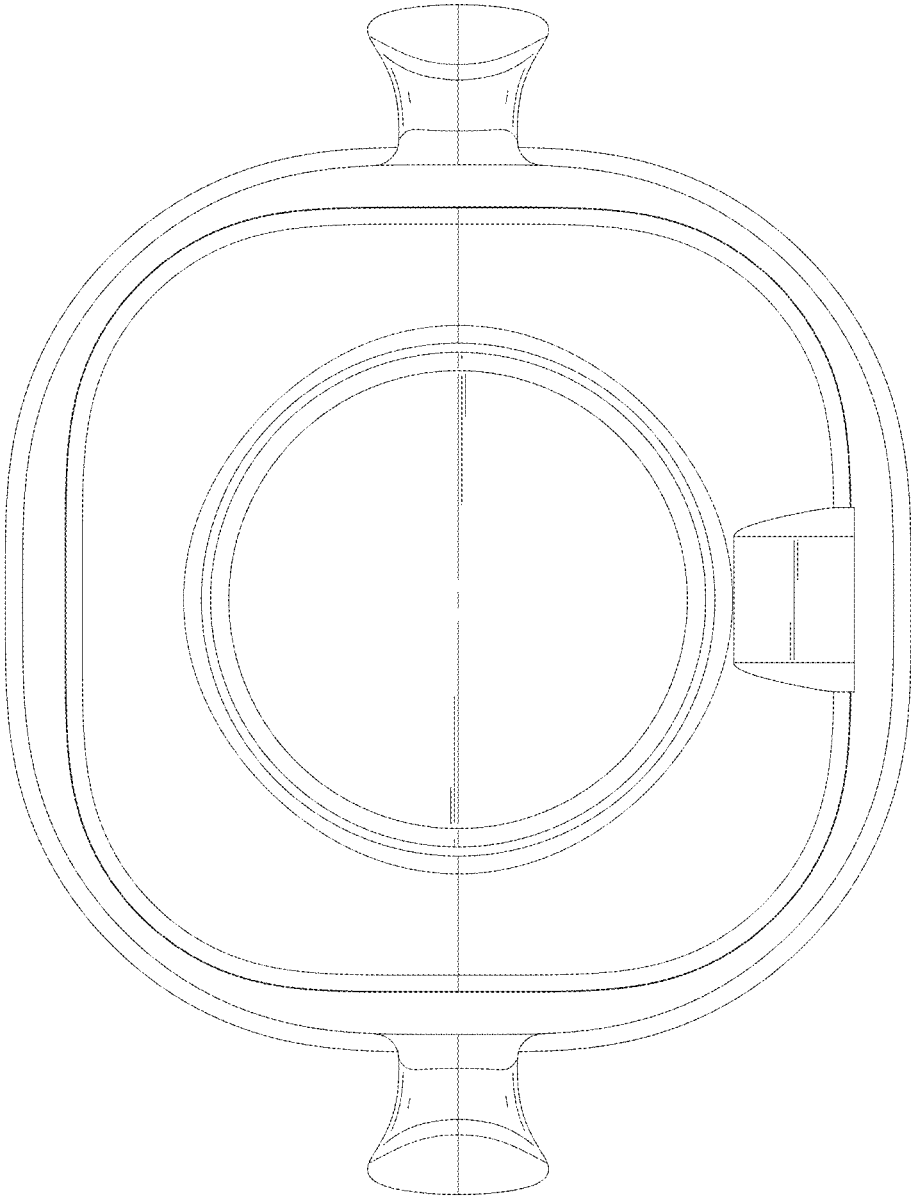


FIG. 8