

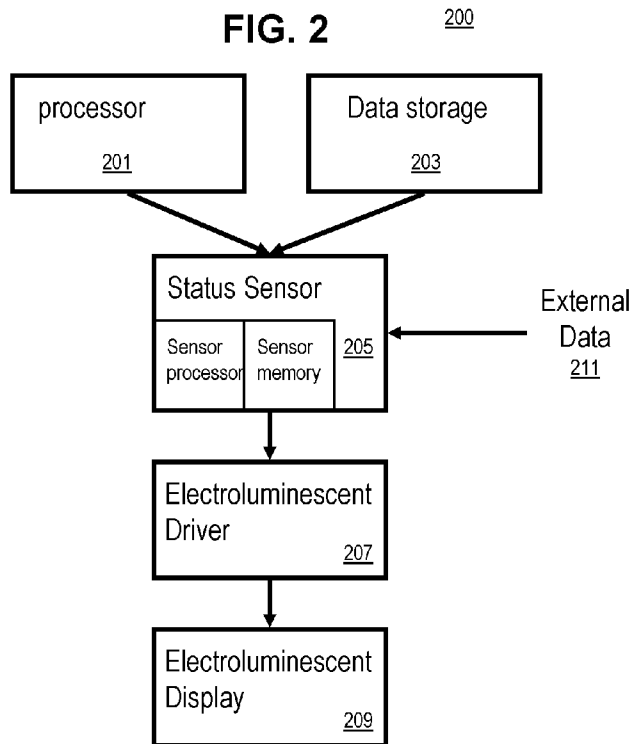


- (51) International Patent Classification:
G09G 3/30 (2006.01) G09G 3/32 (2006.01)
- (21) International Application Number:
PCT/US2016/017099
- (22) International Filing Date:
9 February 2016 (09.02.2016)
- (25) Filing Language: English
- (26) Publication Language: English
- (30) Priority Data:
62/114,023 9 February 2015 (09.02.2015) US
14/700,597 30 April 2015 (30.04.2015) US
- (71) Applicant: SYMBOLIC IO CORPORATION [US/US];
101 Crawford's Corner Road, Holmdel, NJ 07733 (US).
- (72) Inventor: IGNOMIRELLO, Brian, M.; 101 Crawford's
Corner Road, Holmdel, NJ 07733 (US).
- (74) Agents: MALDJIAN, John et al.; Maldjian Law Group
LLC, 106 Apple Street, Suite 200N, Tinton Falls, NJ
07724 (US).

- (81) Designated States (unless otherwise indicated, for every kind of national protection available): AE, AG, AL, AM, AO, AT, AU, AZ, BA, BB, BG, BH, BN, BR, BW, BY, BZ, CA, CH, CL, CN, CO, CR, CU, CZ, DE, DK, DM, DO, DZ, EC, EE, EG, ES, FI, GB, GD, GE, GH, GM, GT, HN, HR, HU, ID, IL, IN, IR, IS, JP, KE, KG, KN, KP, KR, KZ, LA, LC, LK, LR, LS, LU, LY, MA, MD, ME, MG, MK, MN, MW, MX, MY, MZ, NA, NG, NI, NO, NZ, OM, PA, PE, PG, PH, PL, PT, QA, RO, RS, RU, RW, SA, SC, SD, SE, SG, SK, SL, SM, ST, SV, SY, TH, TJ, TM, TN, TR, TT, TZ, UA, UG, US, UZ, VC, VN, ZA, ZM, ZW.
- (84) Designated States (unless otherwise indicated, for every kind of regional protection available): ARIPO (BW, GH, GM, KE, LR, LS, MW, MZ, NA, RW, SD, SL, ST, SZ, TZ, UG, ZM, ZW), Eurasian (AM, AZ, BY, KG, KZ, RU, TJ, TM), European (AL, AT, BE, BG, CH, CY, CZ, DE, DK, EE, ES, FI, FR, GB, GR, HR, HU, IE, IS, IT, LT, LU, LV, MC, MK, MT, NL, NO, PL, PT, RO, RS, SE, SI, SK, SM, TR), OAPI (BF, BJ, CF, CG, CI, CM, GA, GN, GQ, GW, KM, ML, MR, NE, SN, TD, TG).

[Continued on next page]

(54) Title: ELECTROLUMINESCENT STATUS DISPLAY



(57) Abstract: System and method to provide an electroluminescent status display, the system including a sensor configured to detect a condition, a driver circuit to generate a control signal when the condition is detected by the sensor, and an electroluminescent display coupled to the driver circuit to receive the control signal, wherein the control signal controls light from the electroluminescent display. The method may include sensing a condition by use of a sensor, generating a control signal by use of a driver circuit when the condition is sensed by the sensor, and emitting electroluminescent light by use of an electroluminescent display coupled to the driver circuit, wherein the control signal controls emission of the electroluminescent light.

WO 2016/130515 A3



Published:

(88) Date of publication of the international search report:

27 October 2016

- *with international search report (Art. 21(3))*
- *before the expiration of the time limit for amending the claims and to be republished in the event of receipt of amendments (Rule 48.2(h))*

INTERNATIONAL SEARCH REPORT		International application No. PCT/US16/17099															
A. CLASSIFICATION OF SUBJECT MATTER IPC: G09G 3/30(2006.01);G09G 3/32(2006.01) USPC: 345/77 According to International Patent Classification (IPC) or to both national classification and IPC																	
B. FIELDS SEARCHED																	
Minimum documentation searched (classification system followed by classification symbols) U.S. : 345/77																	
Documentation searched other than minimum documentation to the extent that such documents are included in the fields searched																	
Electronic data base consulted during the international search (name of data base and, where practicable, search terms used) Please See Continuation Sheet																	
C. DOCUMENTS CONSIDERED TO BE RELEVANT																	
Category *	Citation of document, with indication, where appropriate, of the relevant passages	Relevant to claim No.															
X --- Y	US 2009/0061756 A1 (GERMAGIAN) 05 March 2009 (05.03.2009), entire document.	1-8 and 10-17 ----- 9 and 18															
Y	US 2009/0040032 A1 (GERBER) 12 February 2009 (12.02.2009), entire document.	9 and 18															
<input type="checkbox"/> Further documents are listed in the continuation of Box C. <input type="checkbox"/> See patent family annex.																	
* Special categories of cited documents: <table style="width: 100%; border: none;"> <tr> <td style="width: 40%;">"A" document defining the general state of the art which is not considered to be of particular relevance</td> <td style="width: 10%;">"T"</td> <td>later document published after the international filing date or priority date and not in conflict with the application but cited to understand the principle or theory underlying the invention</td> </tr> <tr> <td>"E" earlier application or patent published on or after the international filing date</td> <td>"X"</td> <td>document of particular relevance; the claimed invention cannot be considered novel or cannot be considered to involve an inventive step when the document is taken alone</td> </tr> <tr> <td>"L" document which may throw doubts on priority claim(s) or which is cited to establish the publication date of another citation or other special reason (as specified)</td> <td>"Y"</td> <td>document of particular relevance; the claimed invention cannot be considered to involve an inventive step when the document is combined with one or more other such documents, such combination being obvious to a person skilled in the art</td> </tr> <tr> <td>"O" document referring to an oral disclosure, use, exhibition or other means</td> <td></td> <td></td> </tr> <tr> <td>"P" document published prior to the international filing date but later than the priority date claimed</td> <td>"&"</td> <td>document member of the same patent family</td> </tr> </table>			"A" document defining the general state of the art which is not considered to be of particular relevance	"T"	later document published after the international filing date or priority date and not in conflict with the application but cited to understand the principle or theory underlying the invention	"E" earlier application or patent published on or after the international filing date	"X"	document of particular relevance; the claimed invention cannot be considered novel or cannot be considered to involve an inventive step when the document is taken alone	"L" document which may throw doubts on priority claim(s) or which is cited to establish the publication date of another citation or other special reason (as specified)	"Y"	document of particular relevance; the claimed invention cannot be considered to involve an inventive step when the document is combined with one or more other such documents, such combination being obvious to a person skilled in the art	"O" document referring to an oral disclosure, use, exhibition or other means			"P" document published prior to the international filing date but later than the priority date claimed	"&"	document member of the same patent family
"A" document defining the general state of the art which is not considered to be of particular relevance	"T"	later document published after the international filing date or priority date and not in conflict with the application but cited to understand the principle or theory underlying the invention															
"E" earlier application or patent published on or after the international filing date	"X"	document of particular relevance; the claimed invention cannot be considered novel or cannot be considered to involve an inventive step when the document is taken alone															
"L" document which may throw doubts on priority claim(s) or which is cited to establish the publication date of another citation or other special reason (as specified)	"Y"	document of particular relevance; the claimed invention cannot be considered to involve an inventive step when the document is combined with one or more other such documents, such combination being obvious to a person skilled in the art															
"O" document referring to an oral disclosure, use, exhibition or other means																	
"P" document published prior to the international filing date but later than the priority date claimed	"&"	document member of the same patent family															
Date of the actual completion of the international search 25 August 2016 (25.08.2016)		Date of mailing of the international search report 30 AUG 2016															
Name and mailing address of the ISA/US Mail Stop PCT, Attn: ISA/US Commissioner for Patents P.O. Box 1450 Alexandria, Virginia 22313-1450 Facsimile No. (571) 273-3201		Authorized officer Michael Horabik Telephone No. (571) 272-4300															

INTERNATIONAL SEARCH REPORTInternational application No.
PCT/US16/17099

Continuation of B. FIELDS SEARCHED Item 3:

EAST: US-PGPUB; USPAT; USOCR; FPRS; EPO; JPO; DERWENT; IBM_TDB

Search Terms: oled, led, el, electroluminescen\$4, light, emitting, diode, shape, triang\$4, stop, squar\$4, octogon\$4, alarm\$4, alert\$4, warning, status, matrix, equipment, red, sign, device, apparatus, system, use, indicat\$4, color, customiz\$4, display, indicator, different, symbol, icon, varying, various, vary, varies, lamp, triangle, circle, square, array, large, enlarg\$4, oversiz\$4, safety, temperature, monitor\$4, machine, sensor, threshold, condition, sense\$1, sensing, sense, sensed, detect\$6, symbolic, io, corporation, failure, emergency, interface, screen