

(19) World Intellectual Property Organization  
International Bureau



(43) International Publication Date  
8 June 2006 (08.06.2006)

PCT

(10) International Publication Number  
WO 2006/060367 A3

(51) International Patent Classification:

A45C 1/04 (2006.01) A45F 3/16 (2006.01)  
A45F 3/04 (2006.01) A44B 21/00 (2006.01)

(21) International Application Number:

PCT/US2005/043083

(22) International Filing Date:

1 December 2005 (01.12.2005)

(25) Filing Language:

English

(26) Publication Language:

English

(30) Priority Data:

11/003,640 3 December 2004 (03.12.2004) US

(71) Applicant (for all designated States except US): **DEL MONTE CORPORATION** [US/US]; 1 Market @ The Landmark, San Francisco, California 94105 (US).

(72) Inventors; and

(75) Inventors/Applicants (for US only): **REES, Aaron, M.** [US/US]; 4944 Epworth Road, Newburgh, Indiana 47630 (US). **PETAK, Terrance, M.** [US/US]; 1121 Woodhill Drive, Gibsonsia, Pennsylvania 15044 (US). **SCOTT, Donald, A.** [US/US]; 10330 Winery Road, Wadesville, Indiana 47638 (US). **JOCHEM, David, J.** [US/US]; 2520 Camel Court, Evansville, Indiana 47220 (US). **GILLEY, Sarah** [US/US]; 2601 St. George Road, Evansville,

Indiana 47711 (US). **WAYNICK, Patricia, Ann** [US/US]; 313 Londonberry Court, Mars, Pennsylvania 16046 (US).

(74) Agent: **SLUTTER, Regis, E.**; Buchanan Ingersoll PC, P.O. Box 1404, Alexandria, Virginia 22313-1404 (US).

(81) Designated States (unless otherwise indicated, for every kind of national protection available): AE, AG, AL, AM, AT, AU, AZ, BA, BB, BG, BR, BW, BY, BZ, CA, CH, CN, CO, CR, CU, CZ, DE, DK, DM, DZ, EC, EE, EG, ES, FI, GB, GD, GE, GH, GM, HR, HU, ID, IL, IN, IS, JP, KE, KG, KM, KN, KP, KR, KZ, LC, LK, LR, LS, LT, LU, LV, LY, MA, MD, MG, MK, MN, MW, MX, MZ, NA, NG, NI, NO, NZ, OM, PG, PH, PL, PT, RO, RU, SC, SD, SE, SG, SK, SL, SM, SY, TJ, TM, TN, TR, TT, TZ, UA, UG, US, UZ, VC, VN, YU, ZA, ZM, ZW.

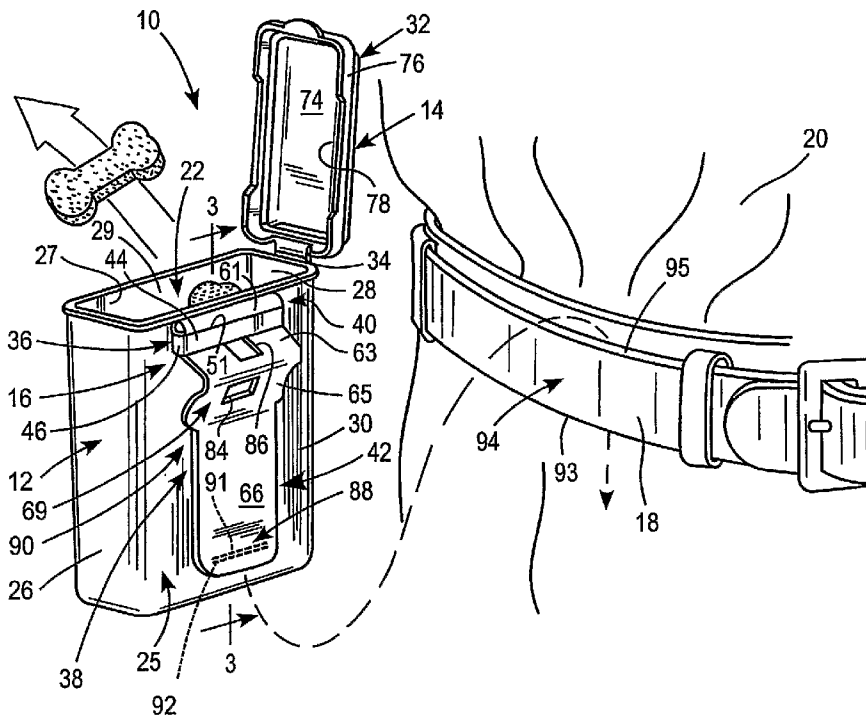
(84) Designated States (unless otherwise indicated, for every kind of regional protection available): ARIPO (BW, GH, GM, KE, LS, MW, MZ, NA, SD, SL, SZ, TZ, UG, ZM, ZW), Eurasian (AM, AZ, BY, KG, KZ, MD, RU, TJ, TM), European (AT, BE, BG, CH, CY, CZ, DE, DK, EE, ES, FI, FR, GB, GR, HU, IE, IS, IT, LT, LU, LV, MC, NL, PL, PT, RO, SE, SI, SK, TR), OAPI (BF, BJ, CF, CG, CI, CM, GA, GN, GQ, GW, ML, MR, NE, SN, TD, TG).

Published:

— with international search report

[Continued on next page]

(54) Title: MOBILE CANISTER



(57) Abstract: A mobile container includes a container (12), a lid (14), and belt clip (38). The belt clip is adapted to be coupled to a belt worn by a person.

WO 2006/060367 A3



— *before the expiration of the time limit for amending the claims and to be republished in the event of receipt of amendments*

*For two-letter codes and other abbreviations, refer to the "Guidance Notes on Codes and Abbreviations" appearing at the beginning of each regular issue of the PCT Gazette.*

**(88) Date of publication of the international search report:**

7 June 2007

# INTERNATIONAL SEARCH REPORT

International application No.

PCT/US05/43083

**A. CLASSIFICATION OF SUBJECT MATTER**

IPC: **A45C 1/04**( 2006.01);**3/04**( 2006.01);**A45F 3/16**( 2006.01);**A44B 21/00**( 2006.01)

USPC: 24/3.11,3.12;224/666,240,241,668,148.4;224/604

According to International Patent Classification (IPC) or to both national classification and IPC

**B. FIELDS SEARCHED**

Minimum documentation searched (classification system followed by classification symbols)

U.S. : 24/3.11,3.12;224/666,240,241,668,148.4;224/604

Documentation searched other than minimum documentation to the extent that such documents are included in the fields searched

Electronic data base consulted during the international search (name of data base and, where practicable, search terms used)

**C. DOCUMENTS CONSIDERED TO BE RELEVANT**

Category *	Citation of document, with indication, where appropriate, of the relevant passages	Relevant to claim No.
X	US 5,666,274 A (Corso) 07 September 1997 (07.09.1997), see document.	1-3, 7-8, and 18
Y	US 5,297,318 A (Adolphson et al.) 29 March 1994 (29.03.1994), see document.	4
Y	US 6,105,923 A (Robertson et al.) 22 August 2000 (22.08.2000), see document.	4
Y	US 5,277,315 A (Plein) 11 January 1994 (11.01.1994), see document.	5, 8
X	US 351,341 D (Hung) 11 October 1994 (11.10.1994), see document.	1-3, 8, 11, 20, 21
Y	US 3,395,787 A (Plaskan) 06 August 1968 (06.08.1968), see document.	22
Y	US 1,718,400 A (Baarsgard) 25 June 1929 (25.06.1929), see document.	22

Further documents are listed in the continuation of Box C.

See patent family annex.

\* Special categories of cited documents:

"A" document defining the general state of the art which is not considered to be of particular relevance

"T" later document published after the international filing date or priority date and not in conflict with the application but cited to understand the principle or theory underlying the invention

"E" earlier application or patent published on or after the international filing date

"X" document of particular relevance; the claimed invention cannot be considered novel or cannot be considered to involve an inventive step when the document is taken alone

"L" document which may throw doubts on priority claim(s) or which is cited to establish the publication date of another citation or other special reason (as specified)

"Y" document of particular relevance; the claimed invention cannot be considered to involve an inventive step when the document is combined with one or more other such documents, such combination being obvious to a person skilled in the art

"O" document referring to an oral disclosure, use, exhibition or other means

"P" document published prior to the international filing date but later than the priority date claimed

"&" document member of the same patent family

Date of the actual completion of the international search

20 July 2006 (20.07.2006)

Date of mailing of the international search report

**26 MAR 2007**  
Authorized officer

Name and mailing address of the ISA/US

Mail Stop PCT, Attn: ISA/US  
Commissioner for Patents  
P.O. Box 1450  
Alexandria, Virginia 22313-1450

Tri M. Mai

Telephone No. (571)242-4050

Facsimile No. (571) 273-3201

# INTERNATIONAL SEARCH REPORT

International application No.  
PCT/US05/43083

## C. (Continuation) DOCUMENTS CONSIDERED TO BE RELEVANT

Category *	Citation of document, with indication, where appropriate, of the relevant passages	Relevant to claim No.
Y	US 4,897,898 A (Chapin) 06 February 1990 (06.02.1990), see document.	22