



US00D792913S

(12) **United States Design Patent**  
**Guggino et al.**

(10) **Patent No.:** **US D792,913 S**

(45) **Date of Patent:** **\*\* Jul. 25, 2017**

(54) **ADJUSTABLE ANGLE PLOW**

OTHER PUBLICATIONS

(71) Applicant: **Pro-Tech Manufacturing and Distribution, Inc.**, Rochester, NY (US)

Western Products, Prodigy & Pro Plus, Owner's Manual, 24 pages; Western Products, PO Box 245038, Milwaukee, WI, 53224-9538; www.westernplows.com; Jul. 15, 2013.

(72) Inventors: **Michael J. Guggino**, Bloomfield, NY (US); **James Maier**, Ontario, NY (US); **Thomas B. Maier**, Oakfield, NY (US)

(Continued)

(73) Assignee: **Pro-Tech Manufacturing and Distribution, Inc.**, Rochester, NY (US)

*Primary Examiner* — Mark Goodwin

(74) *Attorney, Agent, or Firm* — Duane C. Basch; Basch & Nickerson LLP

(\*\*) Term: **15 Years**

(21) Appl. No.: **29/568,991**

(57) **CLAIM**

(22) Filed: **Jun. 22, 2016**

The ornamental design for an adjustable angle plow attachment, as shown and described.

(51) **LOC (10) Cl.** ..... **15-03**

(52) **U.S. Cl.**  
USPC ..... **D15/32**

(58) **Field of Classification Search**  
USPC ..... D15/10, 11, 22–26, 28, 32  
CPC ..... E01H 5/06–5/062; E02F 3/76–3/848  
See application file for complete search history.

**DESCRIPTION**

(56) **References Cited**

U.S. PATENT DOCUMENTS

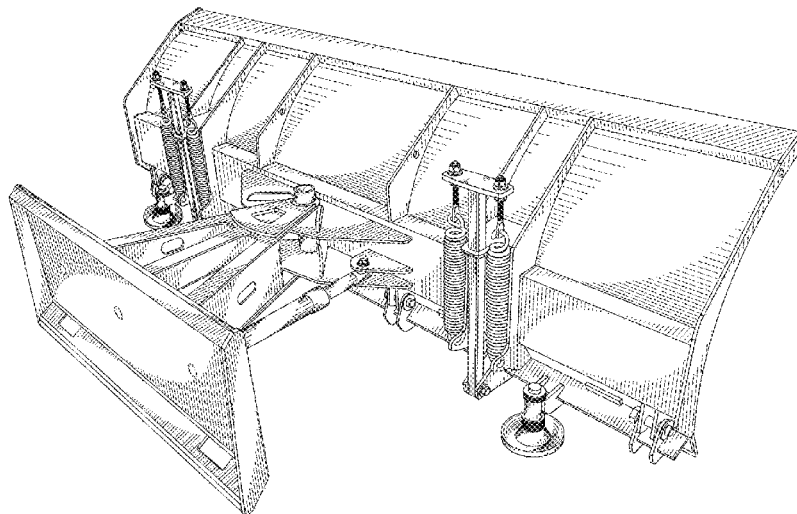
5,121,562	A *	6/1992	Feller	.....	E02F 3/80 37/232
5,724,755	A *	3/1998	Weagley	.....	E01H 5/06 37/231
D395,436	S *	6/1998	Hagenbuch	.....	D15/32
6,151,808	A *	11/2000	Curtis	.....	E01H 5/066 254/423
6,425,196	B1 *	7/2002	Weagley	.....	E01H 5/065 172/393
6,470,604	B1 *	10/2002	Foster	.....	E01H 5/06 37/267
6,560,904	B2 *	5/2003	Guggino	.....	E01H 5/065 37/233
6,845,576	B2 *	1/2005	Vennard	.....	E01H 5/066 172/832

(Continued)

FIG. 1 is a perspective view of the top, rear and left sides of an adjustable angle plow shown in a typical use configuration; FIG. 2 is a rear elevation view of the adjustable angle plow; FIG. 3 is a right side elevation view of the adjustable angle plow; FIG. 4 is a front elevation view of the adjustable angle plow; FIG. 5 is a left side elevation view of the adjustable angle plow; FIG. 6 is a top plan view of the adjustable angle plow; and, FIG. 7 is a bottom plan view of the adjustable angle plow. The broken-lines in the above-described figures are for illustrative purposes only, and form no part of the claimed design.

The claimed adjustable angle plow may be used in conjunction with the plowing of snow and similar materials by attachment to a skid steer or similar loader.

**1 Claim, 7 Drawing Sheets**



(56)

**References Cited**

U.S. PATENT DOCUMENTS

6,938,701 B2 \* 9/2005 Matsumoto ..... E02F 3/7618  
 172/811  
 7,191,846 B2 \* 3/2007 Matsumoto ..... E02F 3/815  
 172/811  
 7,401,658 B2 \* 7/2008 Matsumoto ..... E02F 3/7613  
 172/811  
 7,555,853 B2 \* 7/2009 Paonessa ..... E01H 5/062  
 172/261  
 7,654,016 B2 \* 2/2010 Stephan ..... E01H 5/06  
 172/273  
 7,658,022 B2 \* 2/2010 Strait ..... E01H 5/063  
 37/232  
 7,779,563 B2 \* 8/2010 Mills ..... E01H 5/066  
 37/232  
 8,191,288 B2 \* 6/2012 Weagley ..... E01H 5/06  
 172/702  
 D672,370 S \* 12/2012 Becker ..... D15/28  
 D692,927 S \* 11/2013 Jones ..... D15/32  
 8,621,769 B2 \* 1/2014 Weagley ..... E01H 5/06  
 37/232

8,887,413 B2 \* 11/2014 Miller ..... E02F 3/8155  
 37/279  
 9,151,006 B2 \* 10/2015 Guggino ..... E02F 3/962  
 9,243,376 B2 \* 1/2016 Guggino ..... E01H 5/066  
 D749,151 S \* 2/2016 McAdam ..... D15/32  
 D749,650 S \* 2/2016 McAdam ..... D15/32  
 2005/0126051 A1 \* 6/2005 Fatemi ..... E01H 5/066  
 37/266  
 2006/0218822 A1 \* 10/2006 Hosmer ..... E01H 5/06  
 37/231

OTHER PUBLICATIONS

Meyer Products, LLC, Skid Steer; Brochure, 4 pages; Meyer Products, LLC, 18513 Euclid Ave., Cleveland, Ohio, 44112; www.meyerproducts.com; 2010.  
 Western, Skid Steer Snowplow Gallery, 1 page; Douglas Dynamics, LLC; www.westernplows.com/gallery/skid-steer-plow/; Nov. 1, 2016.  
 Western Skid Steer Snowplow, webpage, 1 page; www.westernplows.com/products/skid-steer/.

\* cited by examiner

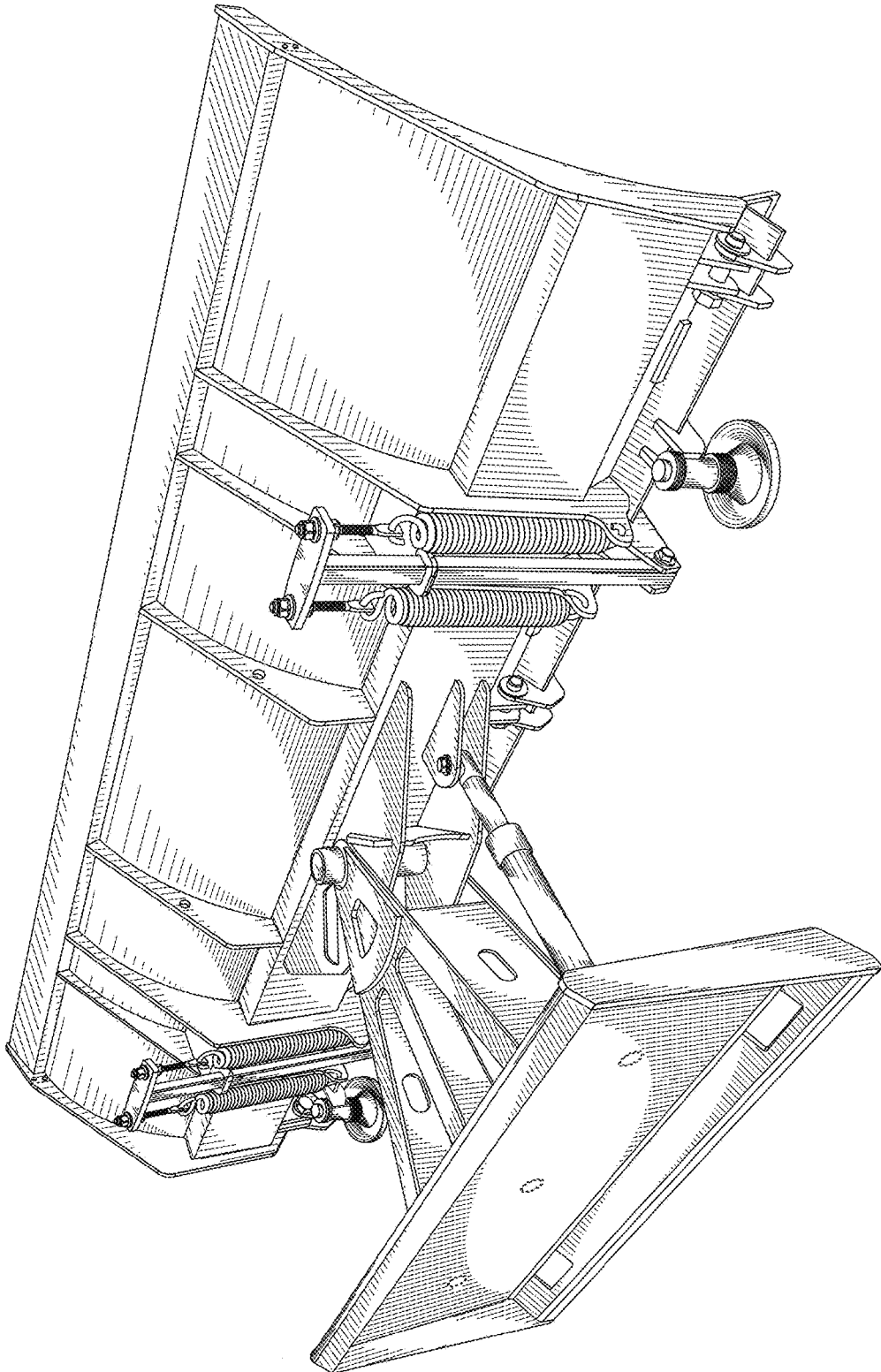


FIG. 1

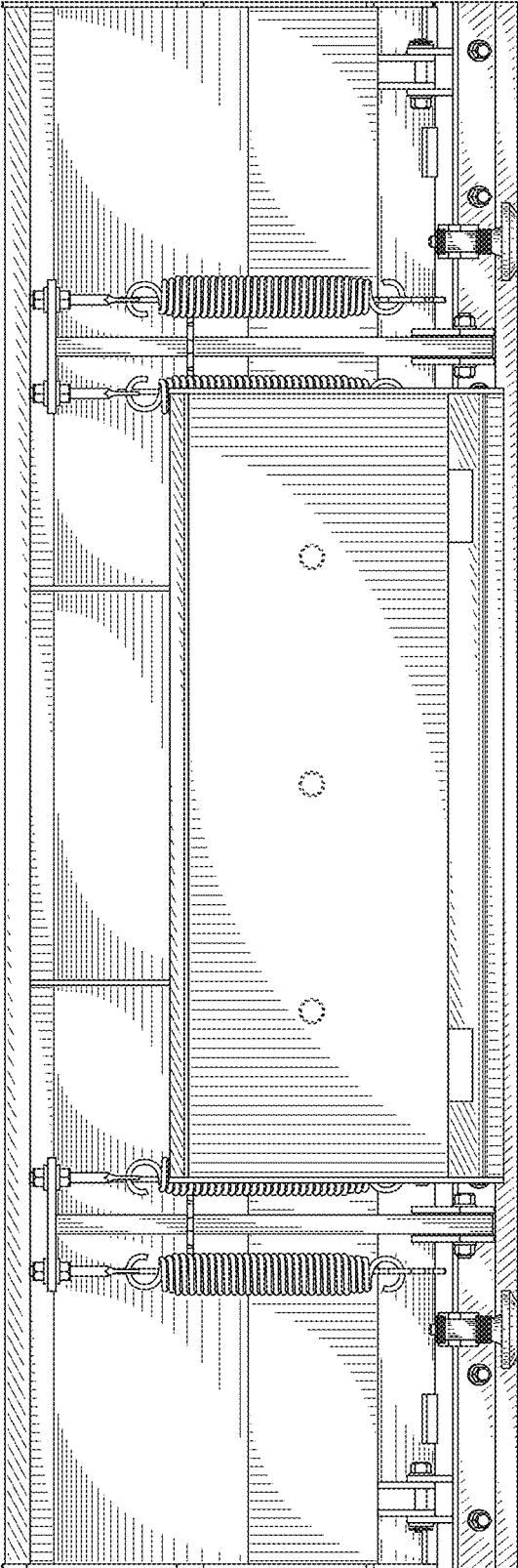


FIG. 2

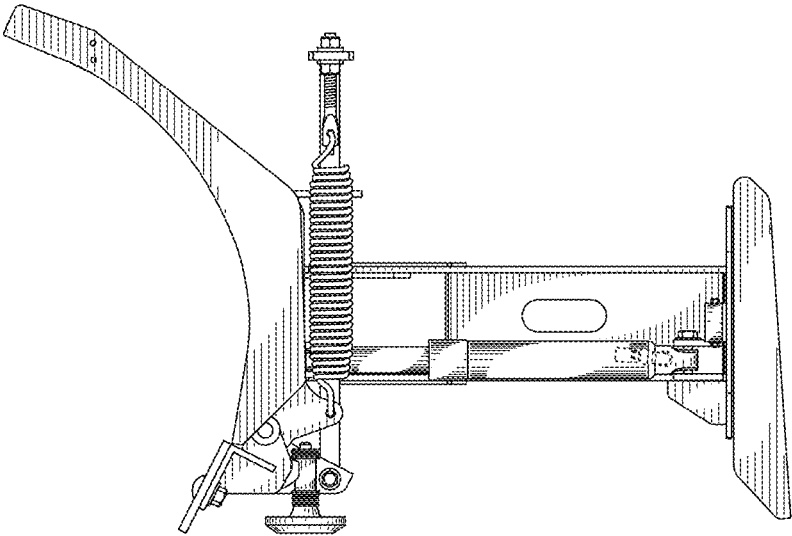


FIG. 3

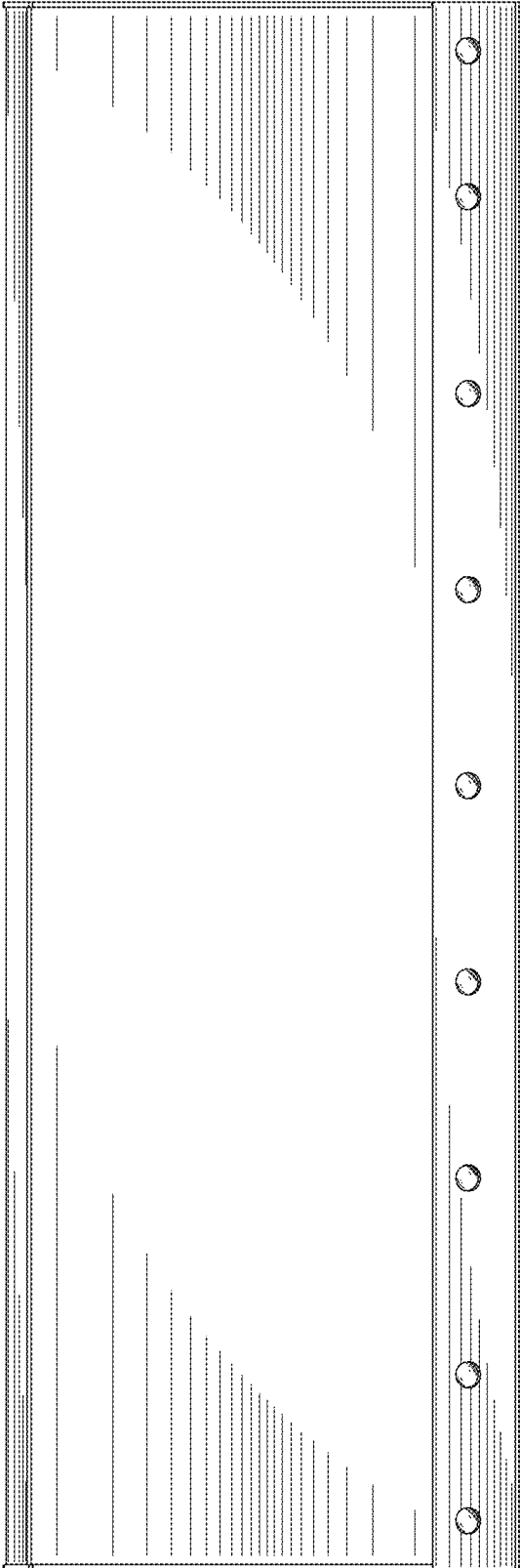


FIG. 4

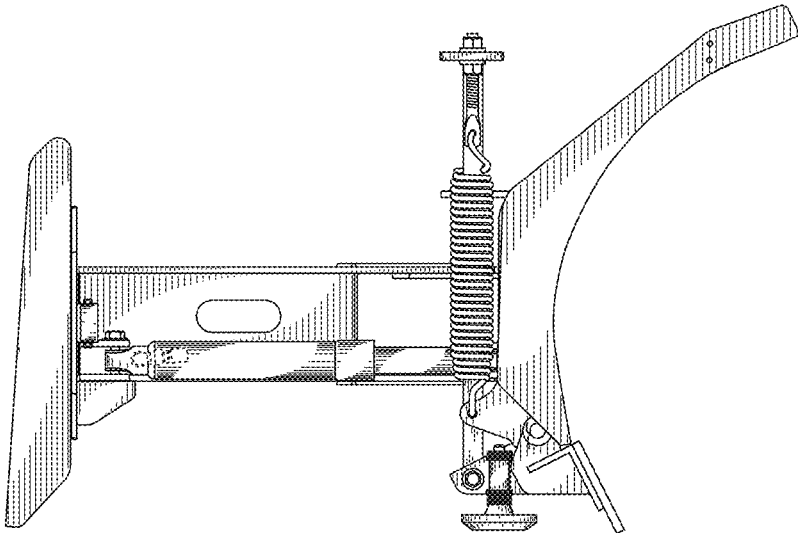


FIG. 5

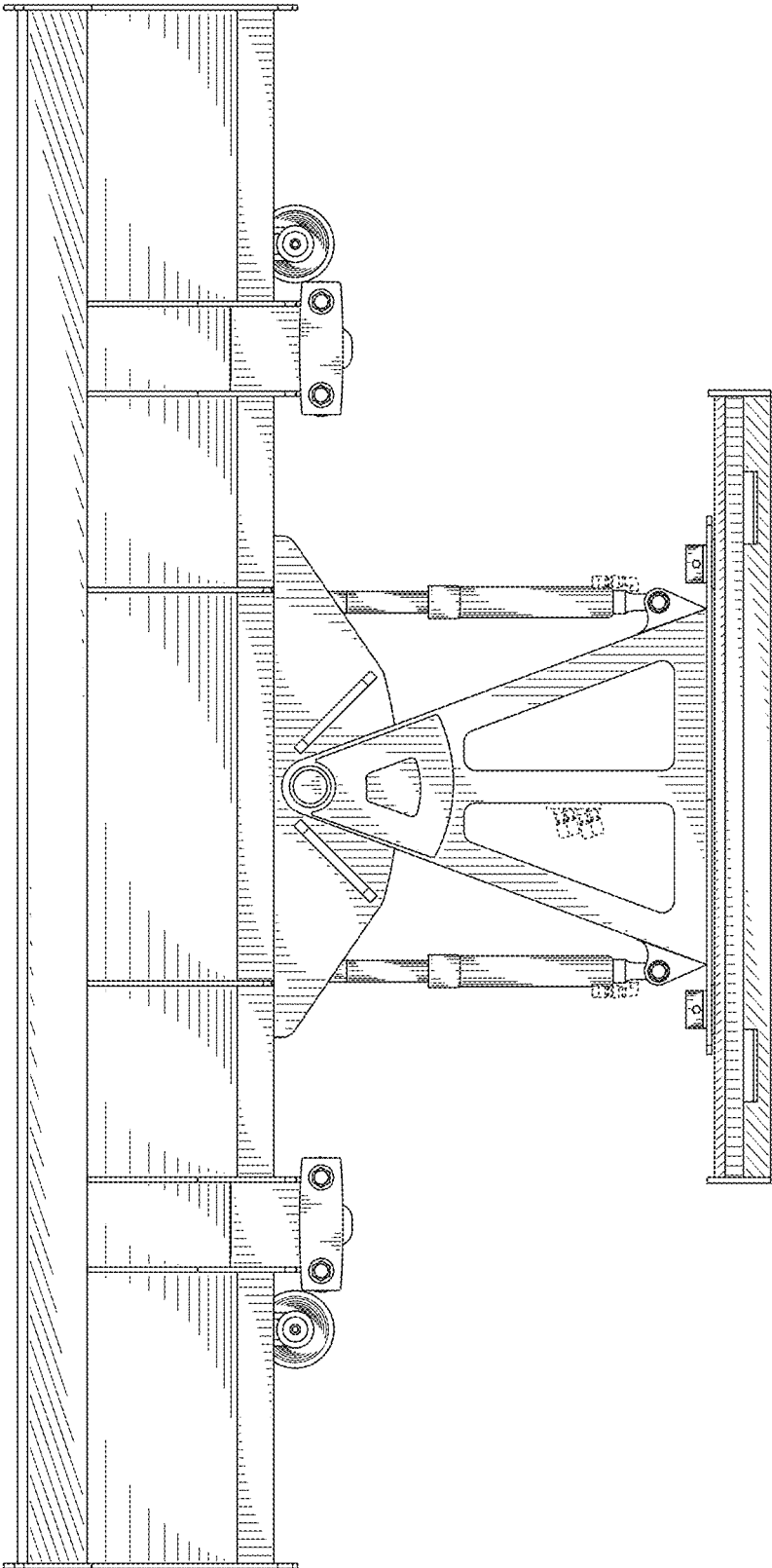


FIG. 6



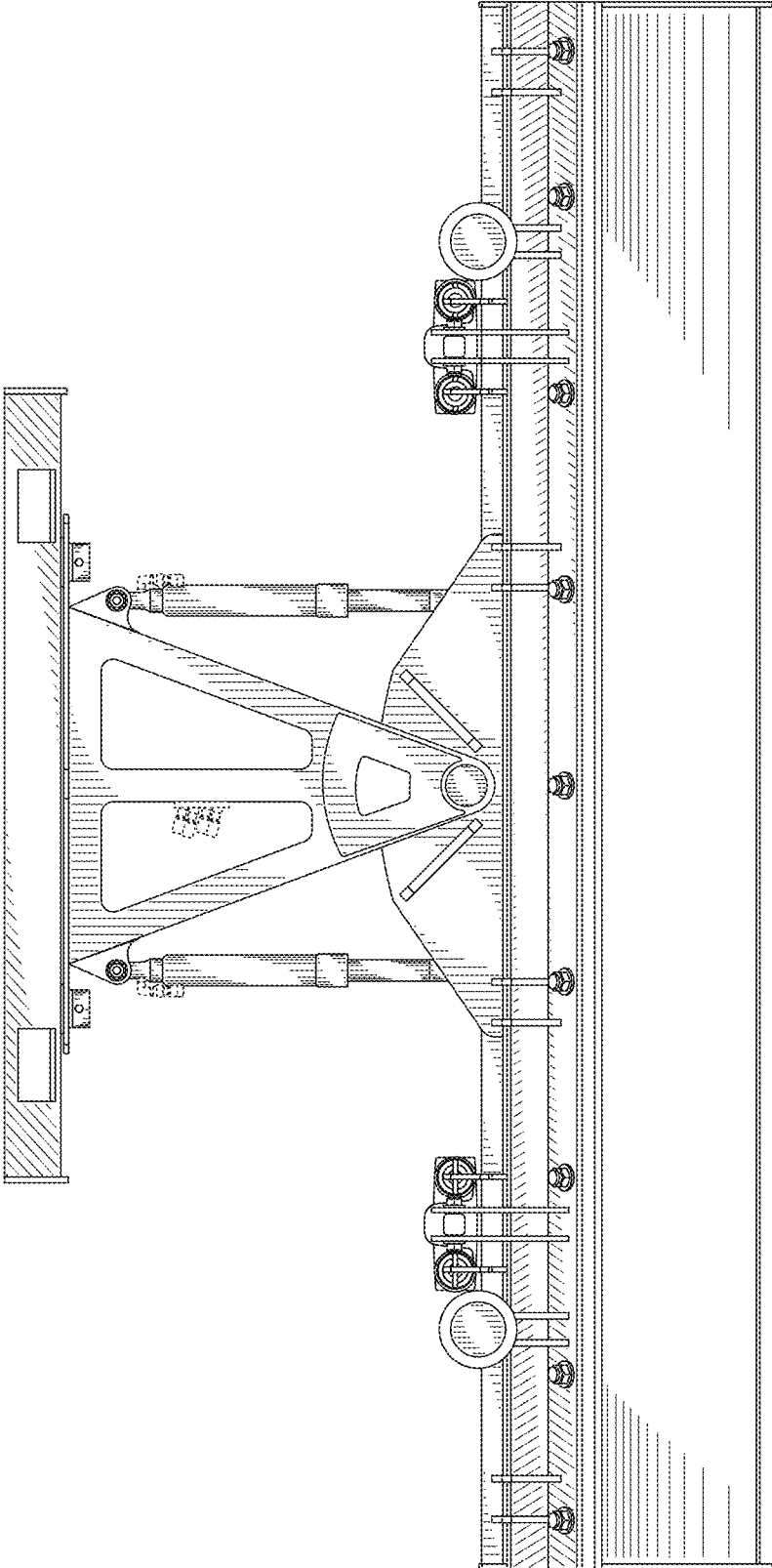


FIG. 7