



US0D1058675S

(12) **United States Design Patent**
Wang

(10) **Patent No.:** **US D1,058,675 S**

(45) **Date of Patent:** **** Jan. 21, 2025**

(54) **GAMEPAD**

(71) Applicant: **SHENZHEN ZUANMA INTELLIGENT CONTROL TECHNOLOGY CO., LTD,**
Guangdong (CN)

(72) Inventor: **Sen Wang,** Guangdong (CN)

(73) Assignee: **SHENZHEN ZUANMA INTELLIGENT CONTROL TECHNOLOGY CO., LTD,** Shenzhen (CN)

(**) Term: **15 Years**

(21) Appl. No.: **29/964,816**

(22) Filed: **Sep. 25, 2024**

(30) **Foreign Application Priority Data**

Sep. 13, 2024 (CN) 202430585578.2

(51) **LOC (15) Cl.** **21-01**

(52) **U.S. Cl.**
USPC **D21/333; D14/401; D14/218**

(58) **Field of Classification Search**
USPC D21/324, 332-337, 566, 572-574, 328;
D14/217, 218, 356, 387, 388, 389, 400,
D14/401, 415, 418, 426-431, 443, 447,
D14/449, 450, 454, 455, 471, 474, 483,
D14/496, 511; D13/164, 168

CPC .. A63F 9/02; A63F 9/24; A63F 9/0291; A63F
9/0252; A63F 13/00; A63F 13/23; A63F
13/24; A63F 13/26; A63F 13/98; A63F
13/02; A63F 13/12; A63F 9/00; A63F
2300/00; A63F 2300/1031

See application file for complete search history.

(56) **References Cited**

U.S. PATENT DOCUMENTS

D709,499 S * 7/2014 Morris D14/401
D768,786 S * 10/2016 Seflic D14/401

D794,129 S * 8/2017 Kujawski D14/401
D794,717 S * 8/2017 Kujawski D14/401
D795,961 S * 8/2017 Chatterjee D14/401
D799,599 S * 10/2017 Kujawski D21/333
D847,904 S * 5/2019 Chatterjee D21/333
D907,119 S * 1/2021 Zhou D21/333
D936,146 S * 11/2021 Hsu D21/333
D940,244 S * 1/2022 Zhou D21/333
D947,948 S * 4/2022 Ma D21/333
D966,418 S * 10/2022 Paterson D21/333
D974,473 S * 1/2023 Feng D21/333
D994,030 S * 8/2023 Wang D21/333
D997,247 S * 8/2023 Wang D21/333
D997,248 S * 8/2023 Guo D21/333
D1,002,734 S * 10/2023 Zhang D21/333
D1,008,361 S * 12/2023 Chen D21/333
D1,020,898 S * 4/2024 Wang D21/333

(Continued)

Primary Examiner — Mehri F Bajoul

(74) *Attorney, Agent, or Firm* — Daniel M. Cohn;
Howard M. Cohn

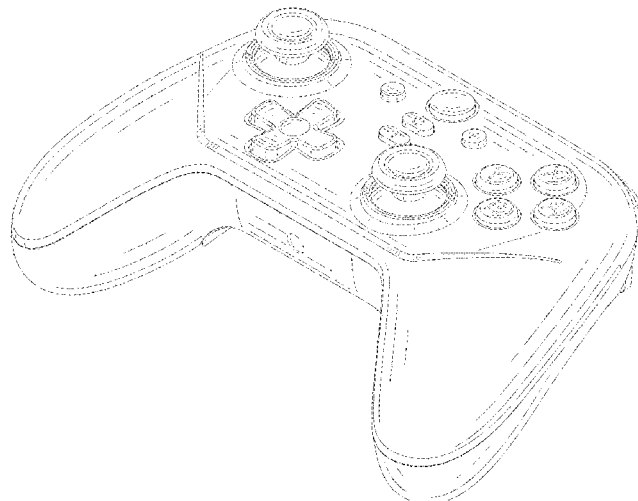
(57) **CLAIM**

The ornamental design for a gamepad as shown and described.

DESCRIPTION

FIG. 1 is a perspective view of a gamepad showing my new design;
FIG. 2 is another perspective view thereof;
FIG. 3 is a front elevational view thereof;
FIG. 4 is a rear elevational view thereof;
FIG. 5 is a left side elevational view thereof;
FIG. 6 is a right side elevational view thereof;
FIG. 7 is a top plan view thereof; and,
FIG. 8 is a bottom plan view thereof.
The broken lines in the drawings depict portions of the gamepad that form no part of the claimed design.

1 Claim, 8 Drawing Sheets



(56)

References Cited

U.S. PATENT DOCUMENTS

D1,022,043	S *	4/2024	Chong	D21/333
D1,022,045	S	4/2024	Yang	
D1,025,217	S *	4/2024	Yu	D21/333
D1,031,850	S *	6/2024	Ou	D21/333
D1,036,549	S	7/2024	Jun	
D1,040,918	S *	9/2024	Xue	D14/401
D1,049,240	S *	10/2024	Yang	D21/333
2024/0165502	A1 *	5/2024	Lu	A63F 13/92

* cited by examiner

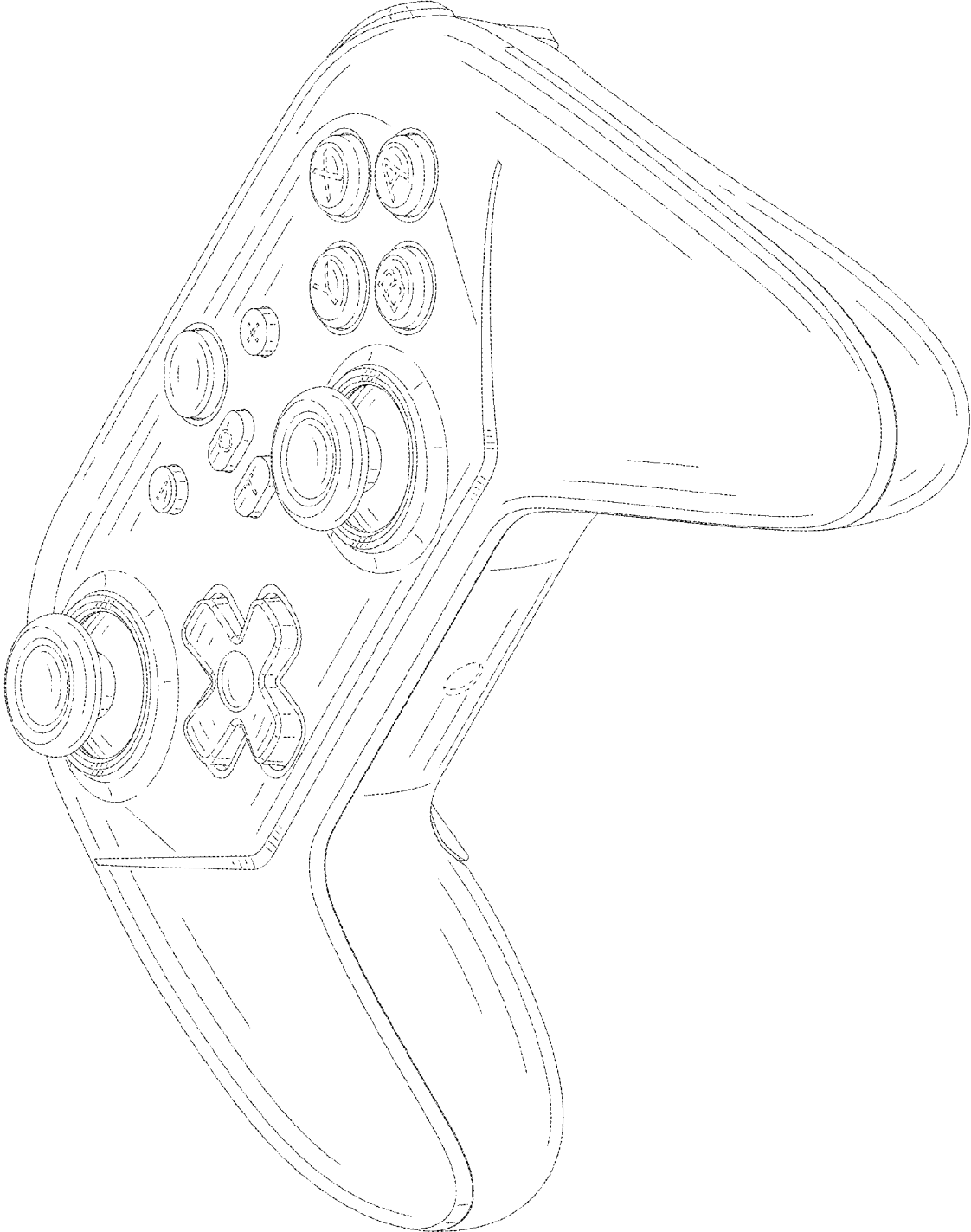


FIG. 1

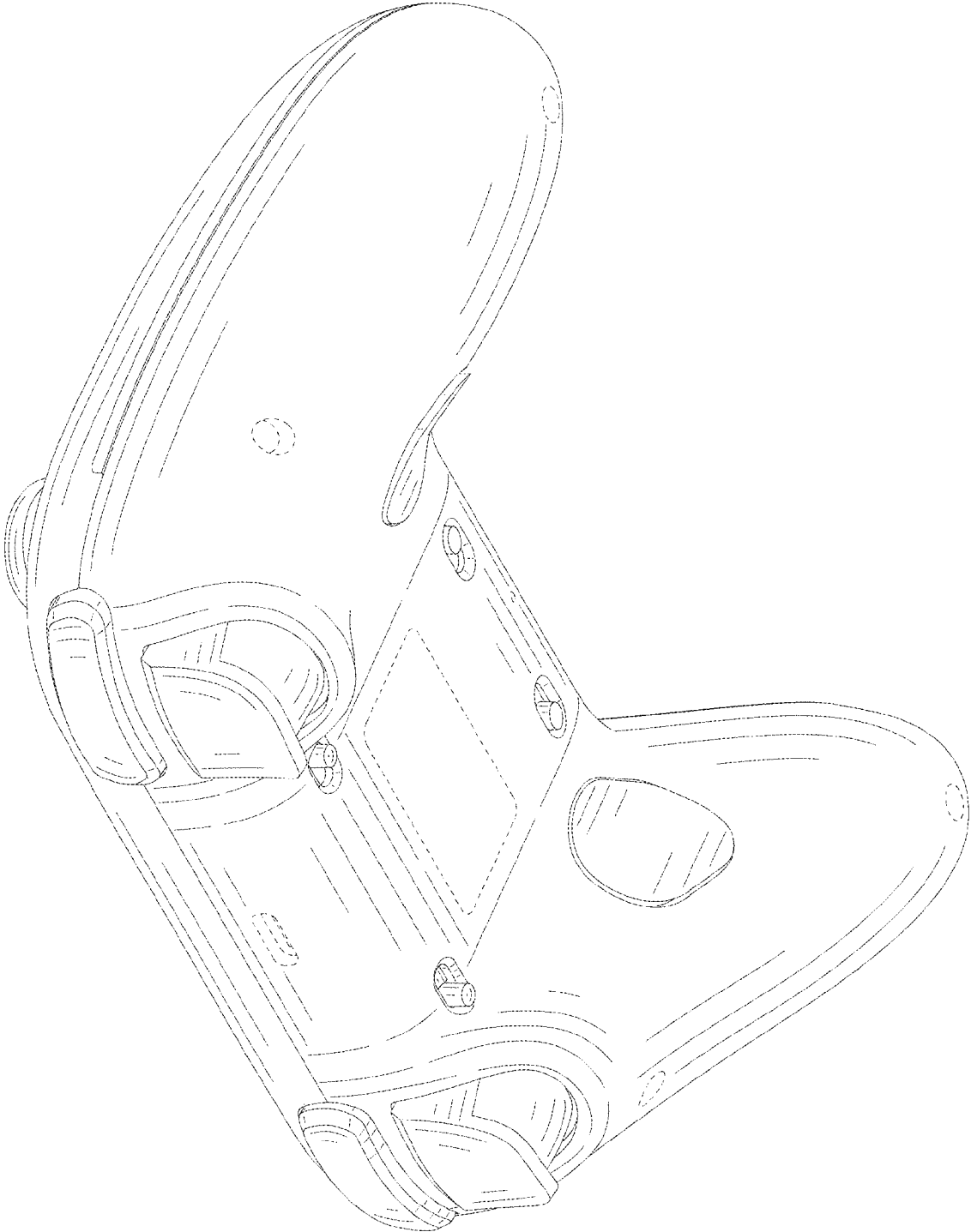


FIG. 2

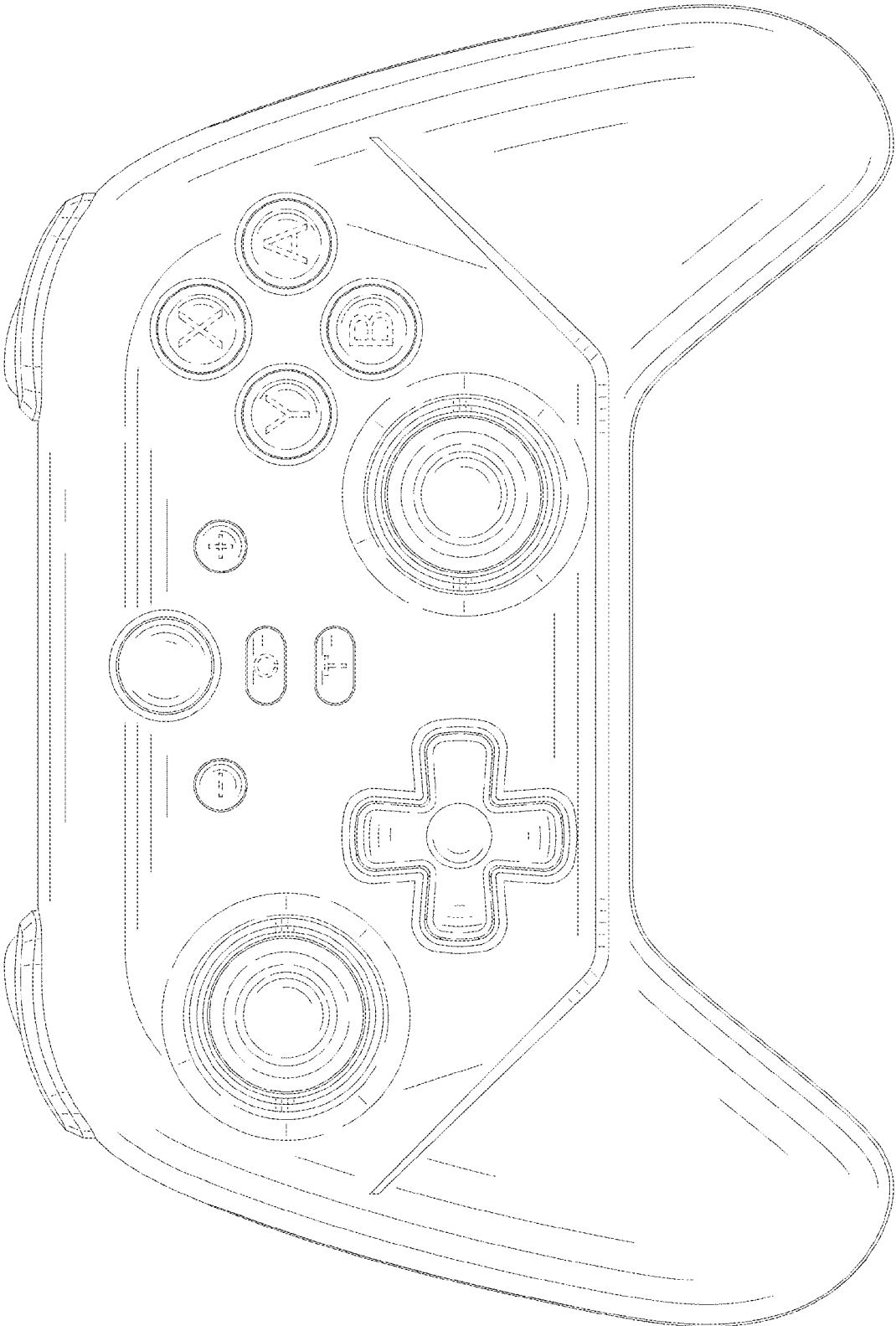


FIG. 3

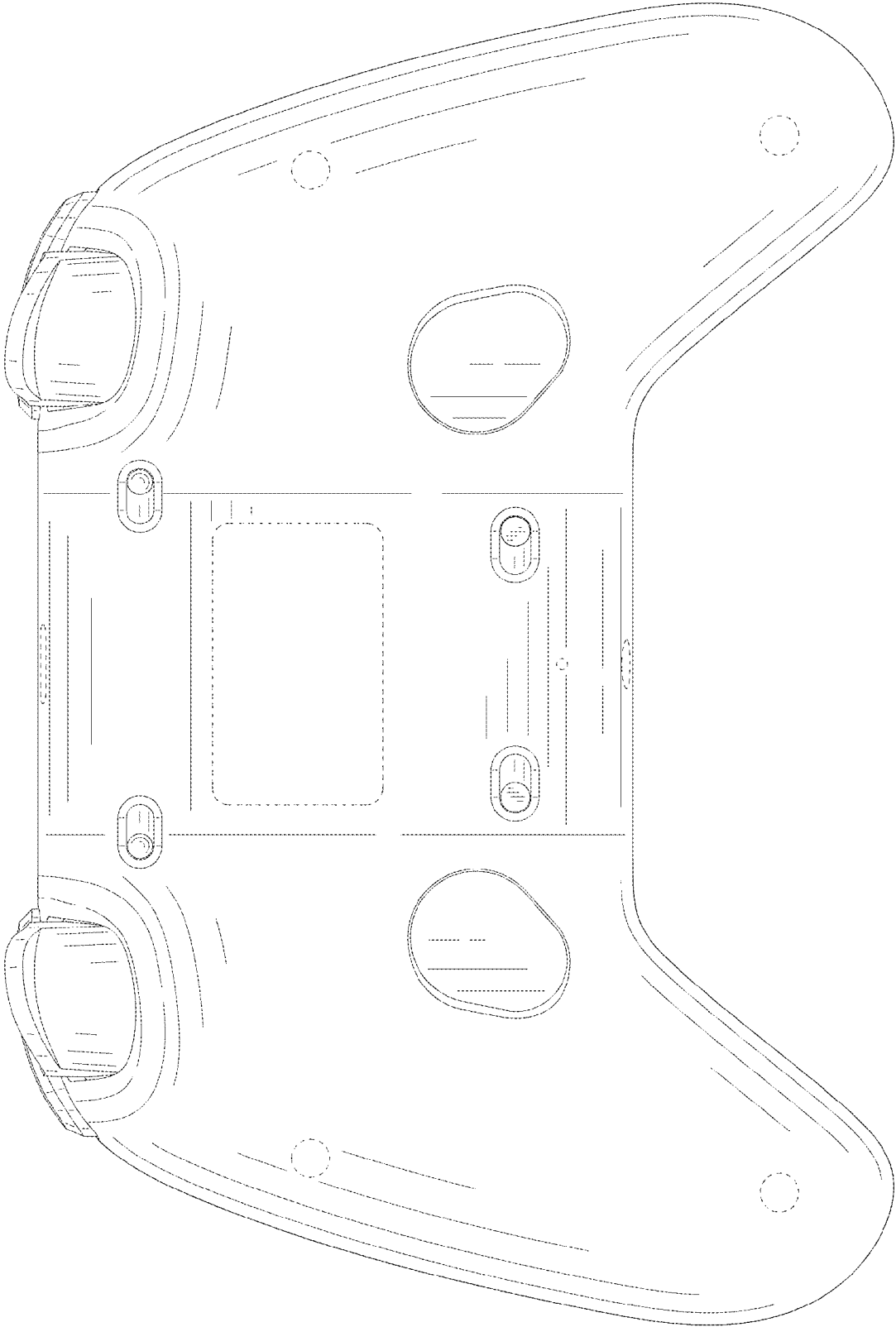


FIG. 4

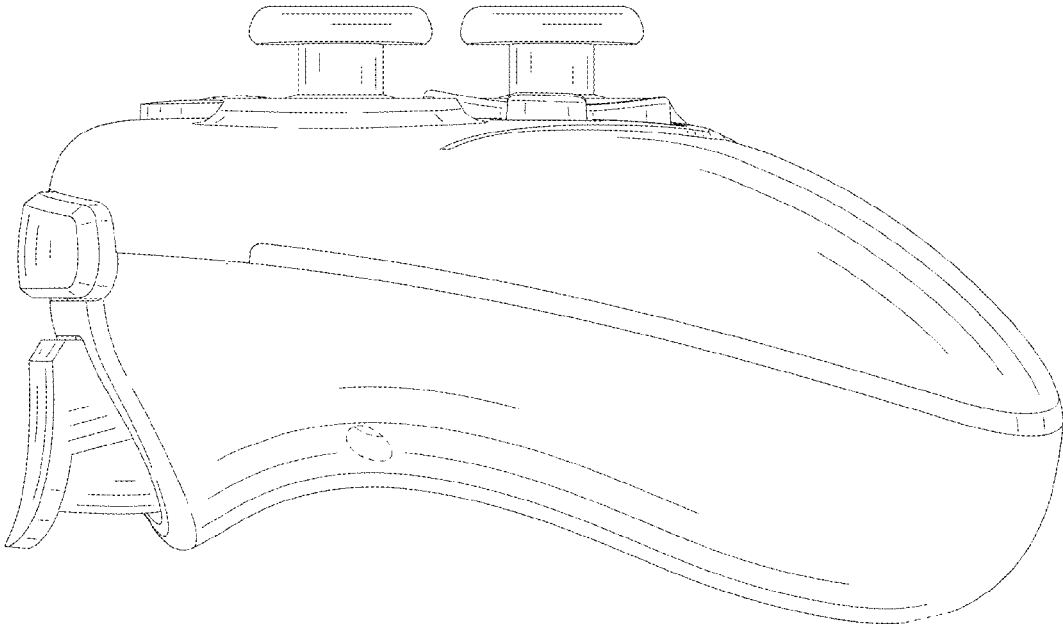


FIG. 5

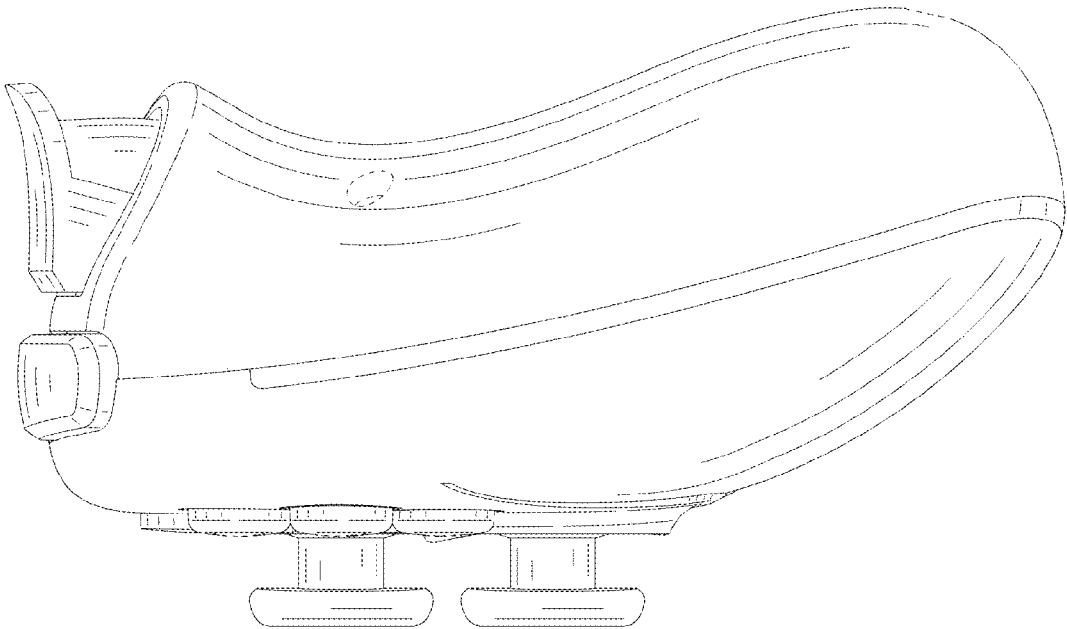


FIG. 6

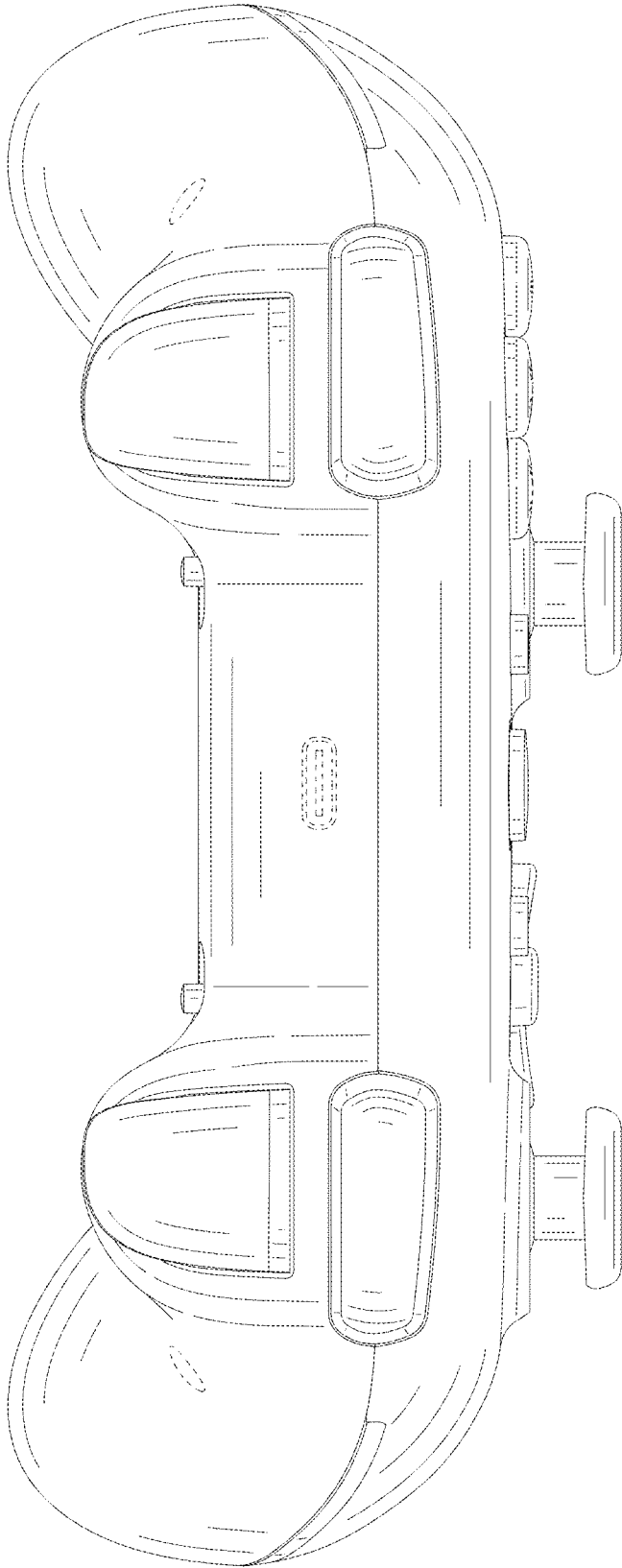


FIG. 7

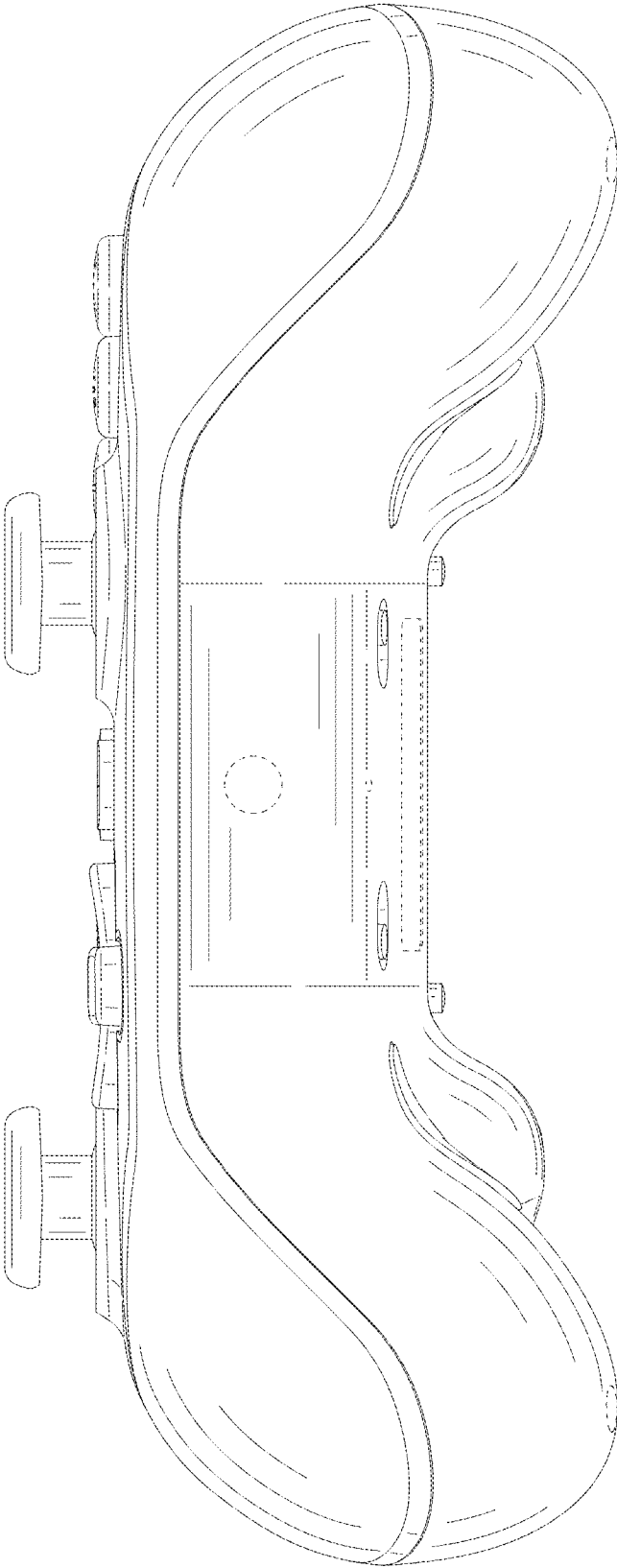


FIG. 8