



(12) **United States Design Patent**
Atlason

(10) **Patent No.:** **US D1,035,296 S**
(45) **Date of Patent:** **** Jul. 16, 2024**

- (54) **RECLINER CHAIR**
- (71) Applicant: **MILLERKNOLL, INC.**, Zeeland, MI (US)
- (72) Inventor: **Hlynur Atlason**, New York, NY (US)
- (73) Assignee: **MILLERKNOLL, INC.**, Zeeland, MI (US)
- (**) Term: **15 Years**
- (21) Appl. No.: **29/916,822**
- (22) Filed: **Nov. 15, 2023**

D863,803 S * 10/2019 Lipparini D6/367
 D995,134 S * 8/2023 Wang D6/366
 2015/0151658 A1* 6/2015 Burris A47C 7/46
 297/219.1

OTHER PUBLICATIONS

United States Patent Office Action for U.S. Appl. No. 29/748,859 dated Oct. 26, 2023 (1 page).

* cited by examiner

Primary Examiner — Mimosa De
(74) *Attorney, Agent, or Firm* — Michael Best & Friedrich LLP

(57) **CLAIM**

I claim the ornamental design for a recliner chair, as shown and described.

DESCRIPTION

FIG. 1 is a perspective view of a lounge chair.
 FIG. 2 is a front view of the lounge chair of FIG. 1.
 FIG. 3 is a rear view of the lounge chair of FIG. 1.
 FIG. 4 is a first side view of the lounge chair of FIG. 1.
 FIG. 5 is a second side view of the lounge chair of FIG. 1.
 FIG. 6 is a top view of the lounge chair of FIG. 1.
 FIG. 7 is a bottom view of the lounge chair of FIG. 1.
 FIG. 8 is a perspective view of the recliner chair of FIG. 1 disposed in a second position.
 FIG. 9 is a front view of the recliner chair of FIG. 8.
 FIG. 10 is a rear view of the recliner chair of FIG. 8.
 FIG. 11 is a first side view of the recliner chair of FIG. 8.
 FIG. 12 is a second side view of the recliner chair of FIG. 8.
 FIG. 13 is a top view of the recliner chair of FIG. 8; and, FIG. 14 is a bottom view of the recliner chair of FIG. 8.
 Portions of the recliner chair shown in broken lines are for illustrative purposes only and form no part of the claimed design.

Related U.S. Application Data

- (62) Division of application No. 29/748,859, filed on Sep. 1, 2020.
- (51) **LOC (14) Cl.** **06-01**
- (52) **U.S. Cl.**
USPC **D6/367**
- (58) **Field of Classification Search**
USPC D6/334-336, 364, 365, 366, 367, 374, D6/375, 716, 716.1, 716.2, 716.4
CPC A47C 1/02; A47C 1/024; A47C 1/029; A47C 1/034; A47C 1/0345; A47C 3/18; A47C 3/20; A47C 7/004; A47C 7/006; A47C 7/18; A47C 7/24; A47C 7/40; A47C 7/46; A47C 7/462
See application file for complete search history.

References Cited

U.S. PATENT DOCUMENTS

D233,809 S * 12/1974 PLatner D6/366
 D260,205 S * 8/1981 Buhk D6/366
 D267,838 S * 2/1983 Buhk D6/366
 D368,596 S * 4/1996 Breen D6/366
 D391,790 S * 3/1998 Breen D6/366
 D770,793 S * 11/2016 Hayon D6/375

1 Claim, 14 Drawing Sheets

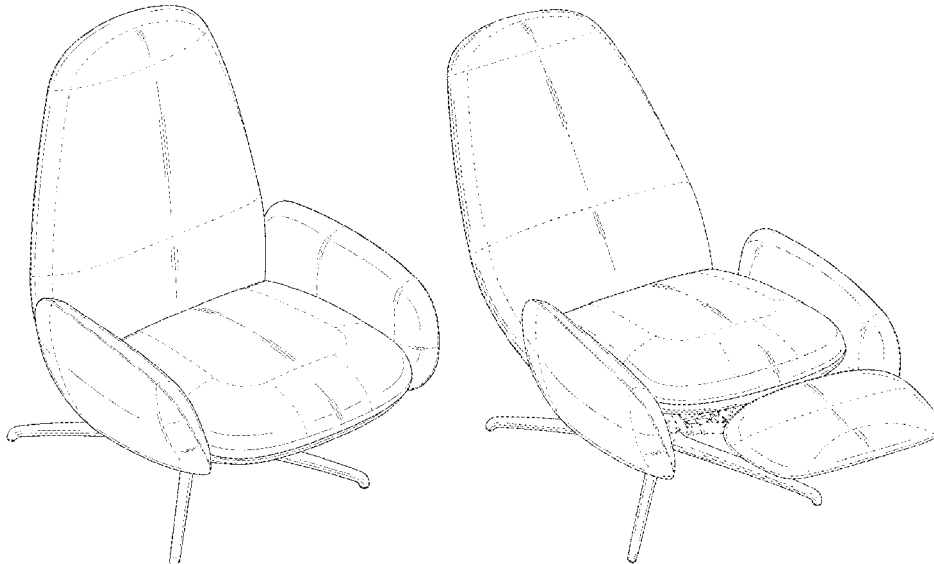




FIG. 1

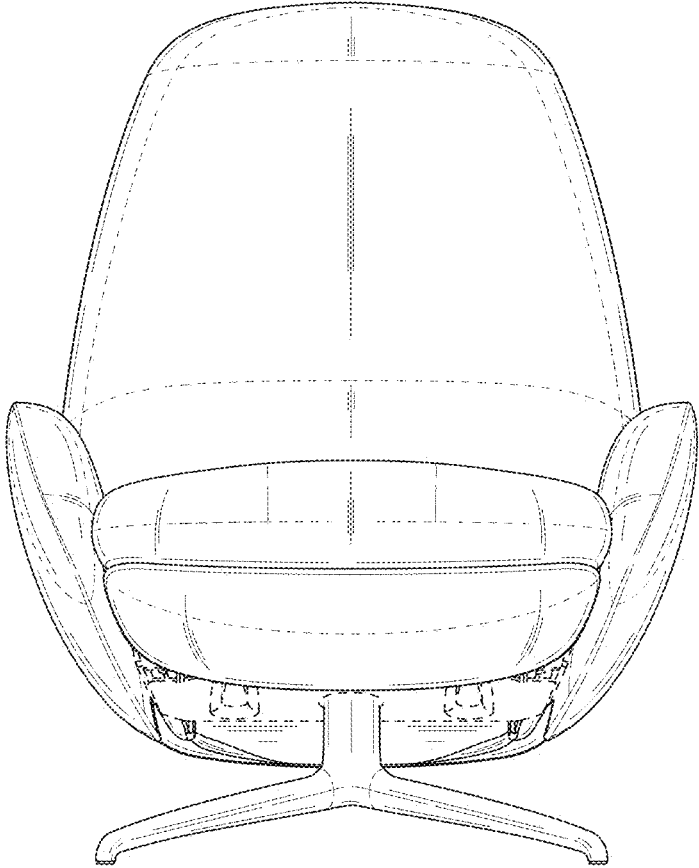


FIG. 2

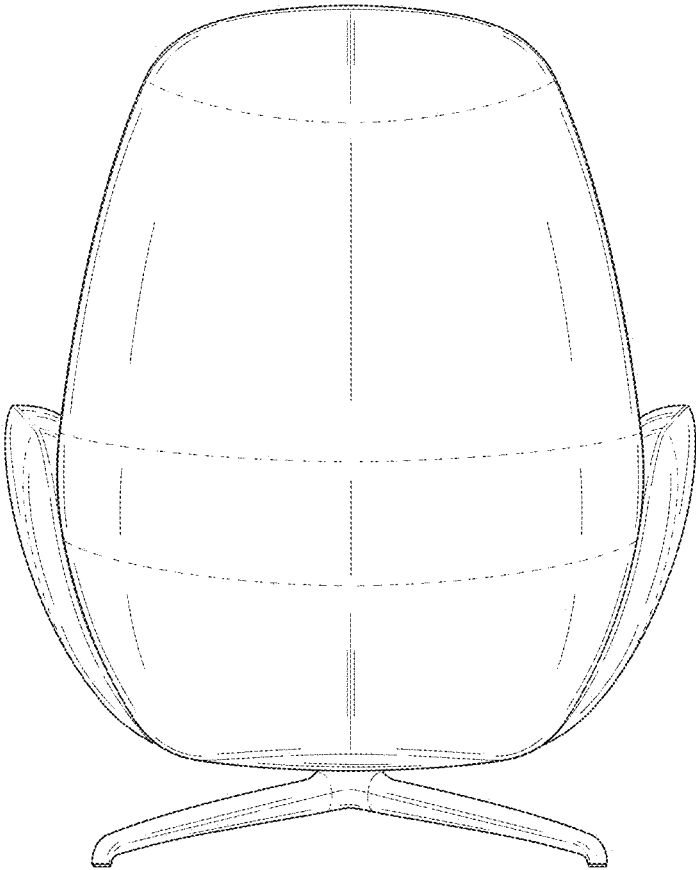


FIG. 3

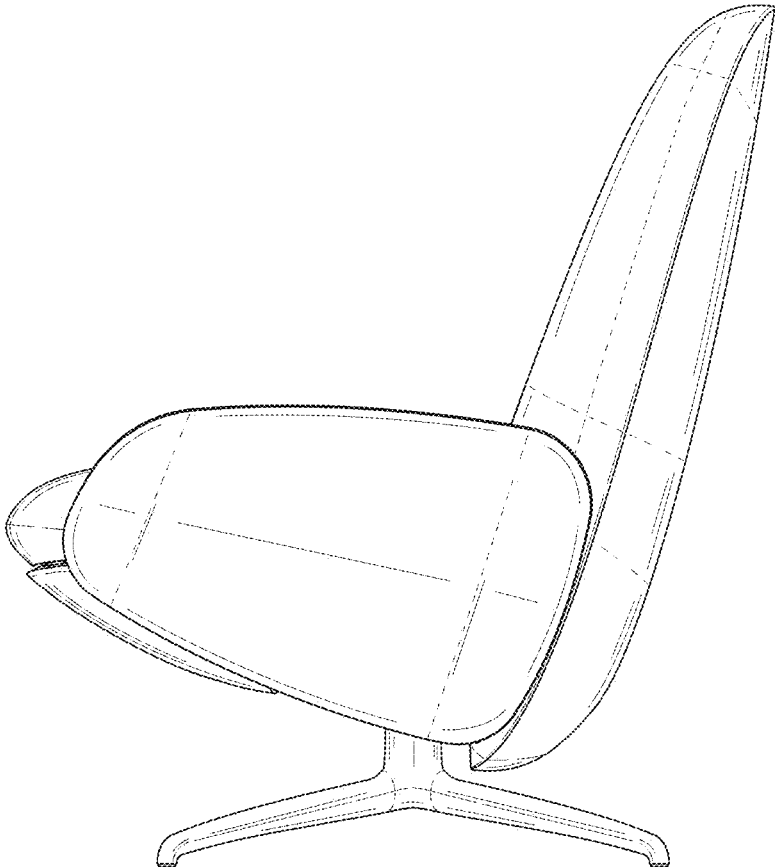


FIG. 4

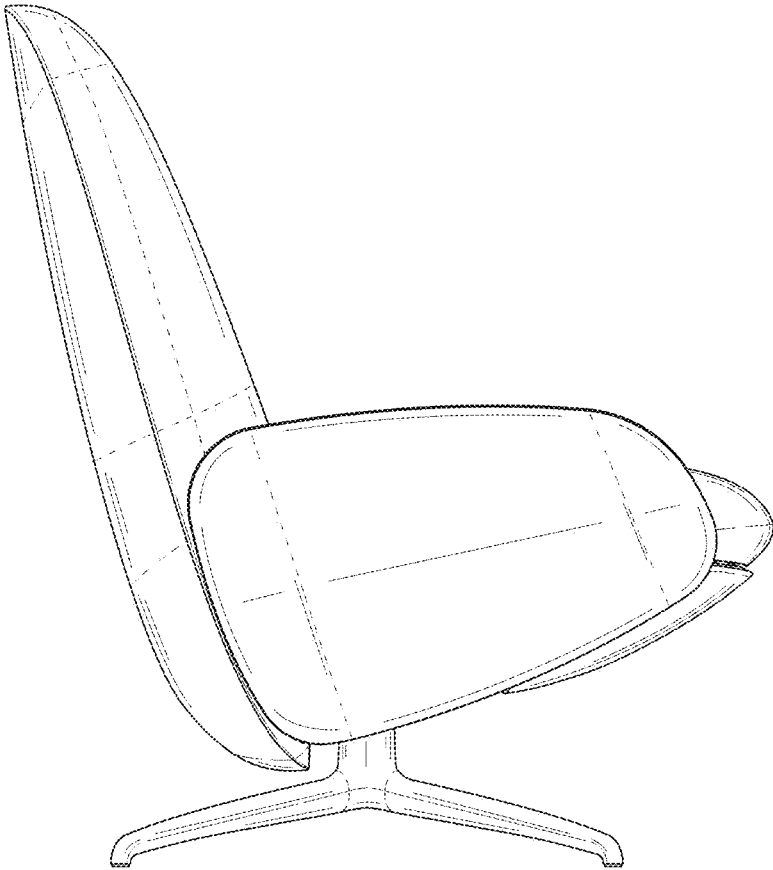


FIG. 5

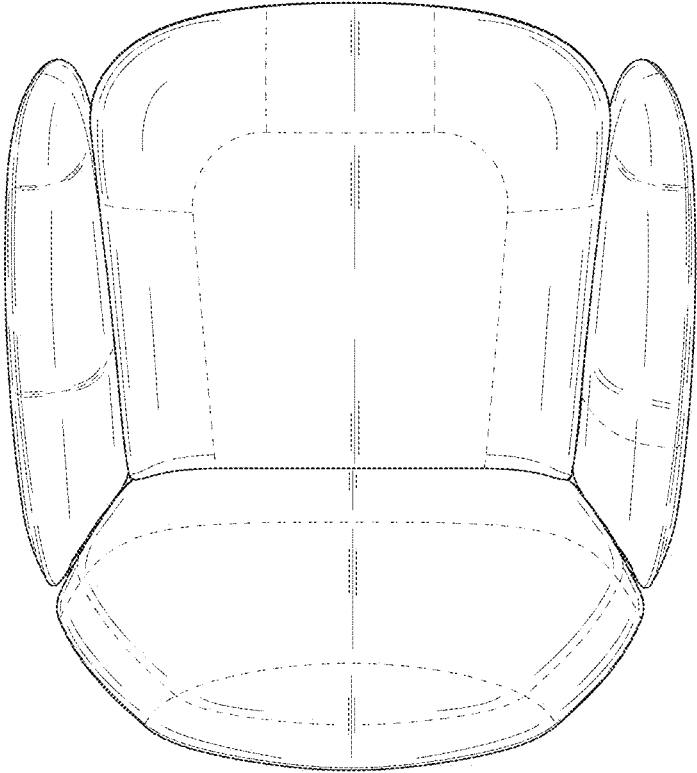


FIG. 6

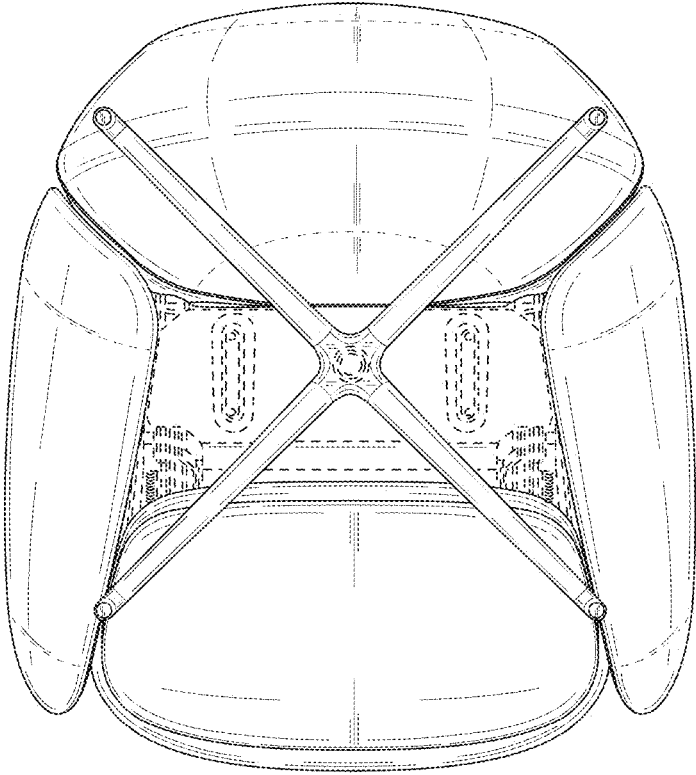


FIG. 7



FIG. 8

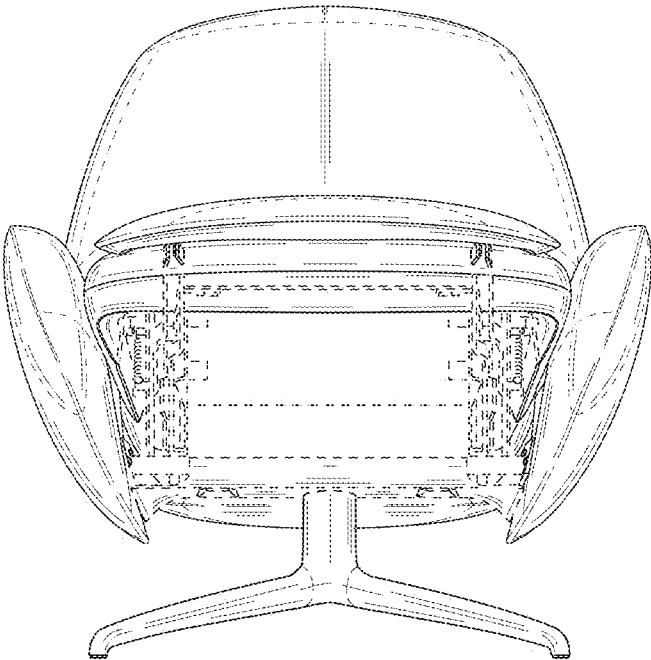


FIG. 9

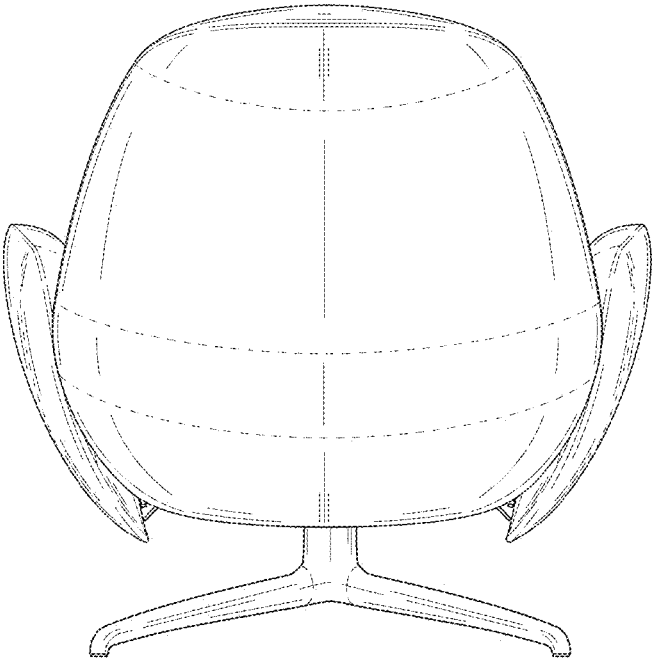


FIG. 10

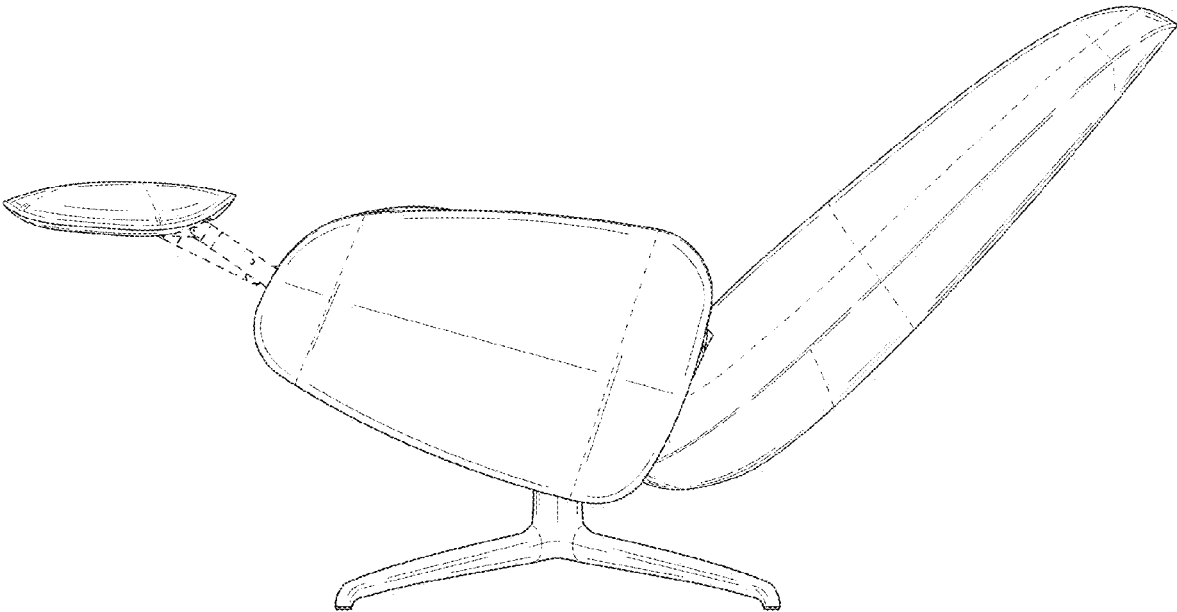


FIG. 11

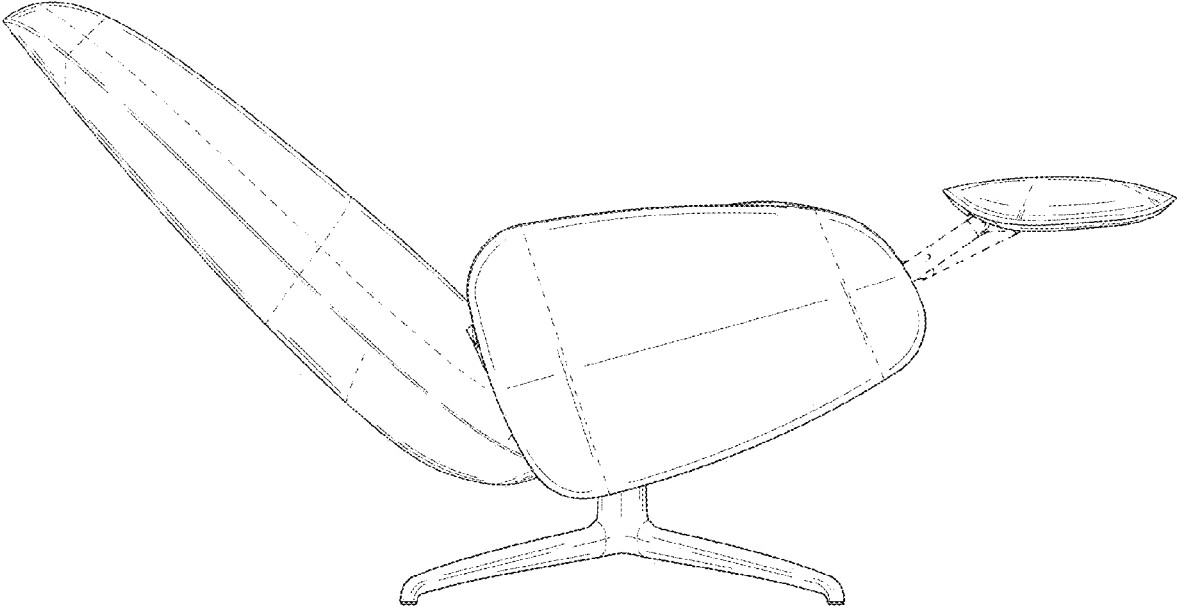


FIG. 12

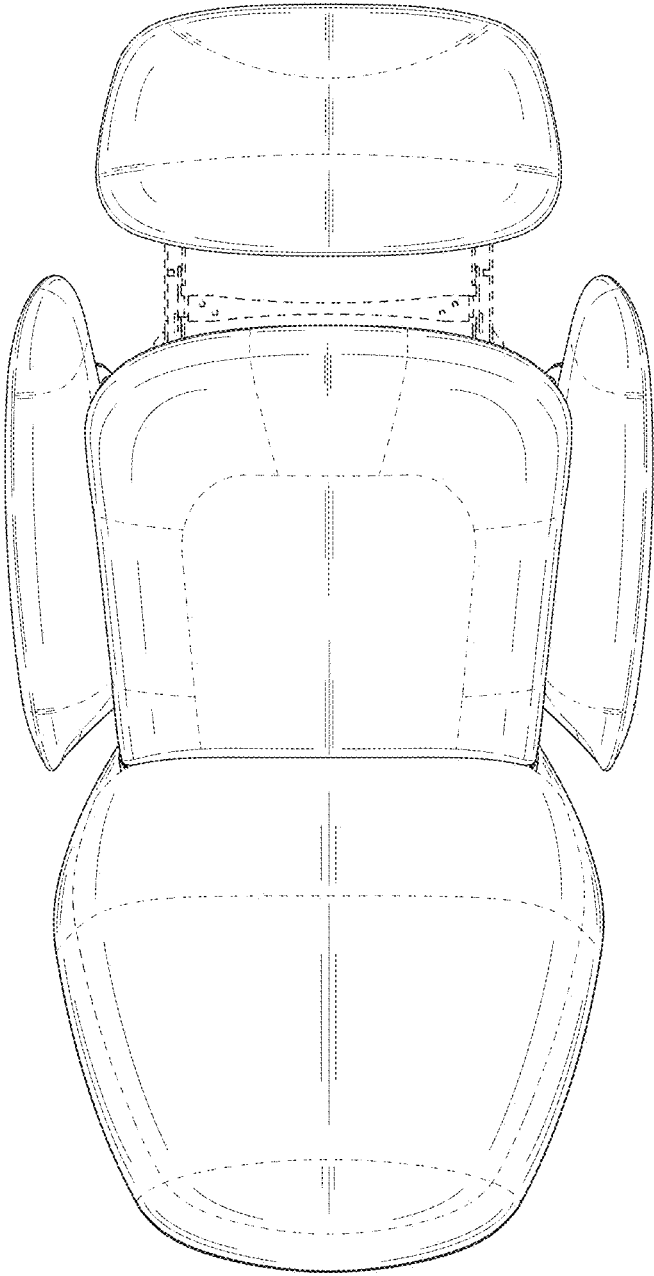


FIG. 13

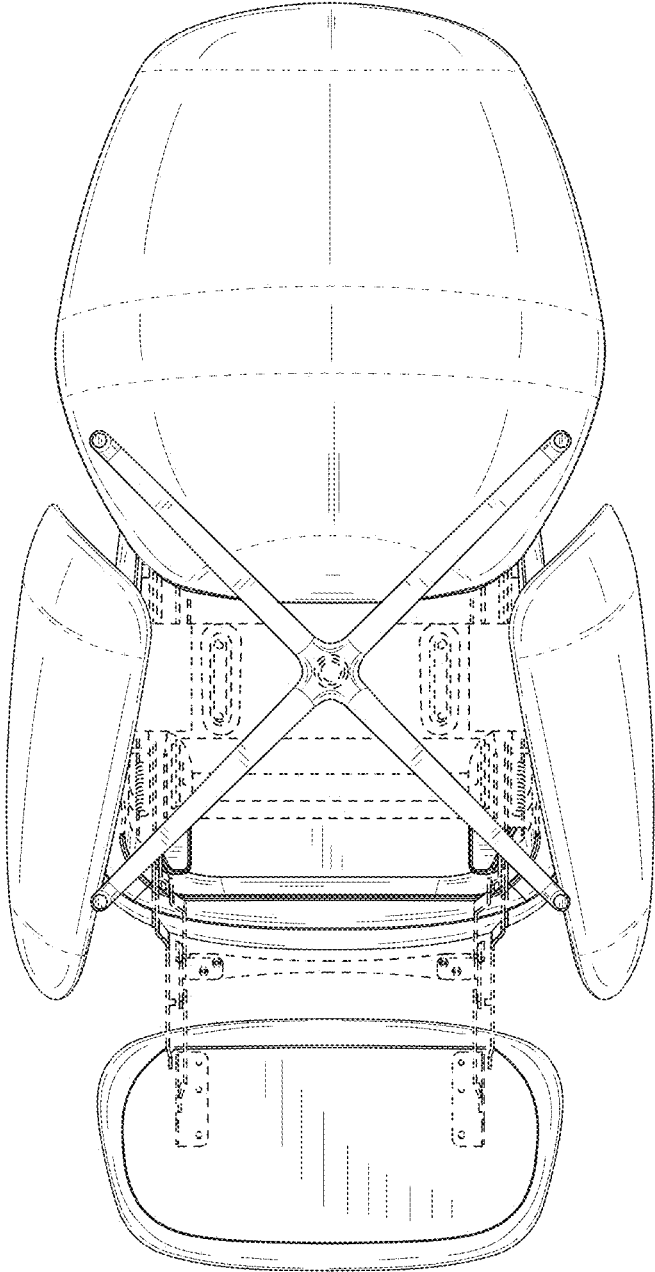


FIG. 14