

(12) **United States Design Patent** (10) **Patent No.:** **US D858,860 S**  
**Lin** (45) **Date of Patent:** **\*\* Sep. 3, 2019**

(54) **STAR PROJECTOR LAMP**  
 (71) Applicant: **Ruikun Lin**, Shantou (CN)  
 (72) Inventor: **Ruikun Lin**, Shantou (CN)  
 (\*\*) Term: **15 Years**  
 (21) Appl. No.: **29/692,143**  
 (22) Filed: **May 23, 2019**  
 (30) **Foreign Application Priority Data**

May 7, 2019 (CN) ..... 2019302191242

(51) **LOC (12) Cl.** ..... **26-03**  
 (52) **U.S. Cl.**  
 USPC ..... **D26/106**  
 (58) **Field of Classification Search**  
 USPC .... D26/1, 24, 104, 105, 106, 108, 110, 111,  
 D26/112, 118, 124, 93; D11/131, 157,  
 D11/184, 121, 125  
 CPC .. A63H 13/00; F21S 6/00; F21S 6/002; F21S  
 10/00; F21V 3/00; F21V 3/0418; F21V  
 15/00; F21V 21/02; F21V 31/00; F21W  
 2121/00; F21W 2131/30  
 See application file for complete search history.

(56) **References Cited**  
 U.S. PATENT DOCUMENTS  
 D393,016 S \* 3/1998 Young ..... D26/110  
 D395,715 S \* 6/1998 Queen ..... D26/110  
 D731,107 S \* 6/2015 Wu ..... D26/104  
 D752,802 S \* 3/2016 Johnson ..... D26/110  
 D829,961 S \* 10/2018 Lin ..... D26/104

**OTHER PUBLICATIONS**  
 “Starry Night Light Projector, LED Lamp Star Moon Projector Rotating Night Light Sleep Soother for Baby Kids Bedroom Decoration Ideal Gift with Ocean Undersea Projection Film 8 Colors

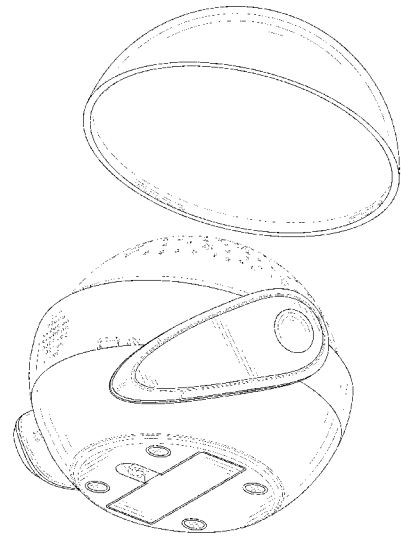
Mode”, Retrieved May 22, 2019]. Retrieved from Internet, <https://www.amazon.com/Projector-Rotating-Decoration-Undersea-Projection/dp/B07N5ZPVC6/>.  
 “Acecharming Ocean World/Star Night Light Projector, 360 Degree Rotating Projection Light Lamp with 2 Projector Films, 8 Colors Mode, 4 LED Bulbs for Baby, Nursery, Kids and Children(White)”, Retrieved May 22, 2019. Retrieved from Internet, <https://www.amazon.com/Acecharming-Projector-Rotating-Projection-Children/dp/B07K568PR1/>.  
 “Star Projector Night Light, Baby Projector Nuresy Lamp 360 Degree Rotating Star Moon Cover Projector Night Light for Kids Bedroom, Birthday,Baby Nursery Night Light (Pink)”, Retrieved May 22, 2019. Retrieved from Internet, <https://www.amazon.com/Projector-Rotating-Bedroom-Birthday-Nursery/dp/B07GH15W44/>.

\* cited by examiner  
*Primary Examiner* — Brian N. Vinson

(57) **CLAIM**  
 The ornamental design for a star projector lamp, as shown and described.

**DESCRIPTION**  
 FIG. 1 is a perspective view of a star projector lamp showing my new design.  
 FIG. 2 is another perspective view thereof;  
 FIG. 3 is a front elevational view thereof;  
 FIG. 4 is a rear elevational view thereof;  
 FIG. 5 is a left side elevational view thereof;  
 FIG. 6 is a right side elevational view thereof;  
 FIG. 7 is a top plan view thereof;  
 FIG. 8 is a bottom plan view thereof;  
 FIG. 9 is a perspective view of the star projector lamp where a cover is separated from a lamp body; and,  
 FIG. 10 is another perspective view of the star projector lamp where the cover is separated from the lamp body.  
 The broken lines in the drawings depict portions of the star projector lamp that form no part of the claimed design.

**1 Claim, 10 Drawing Sheets**



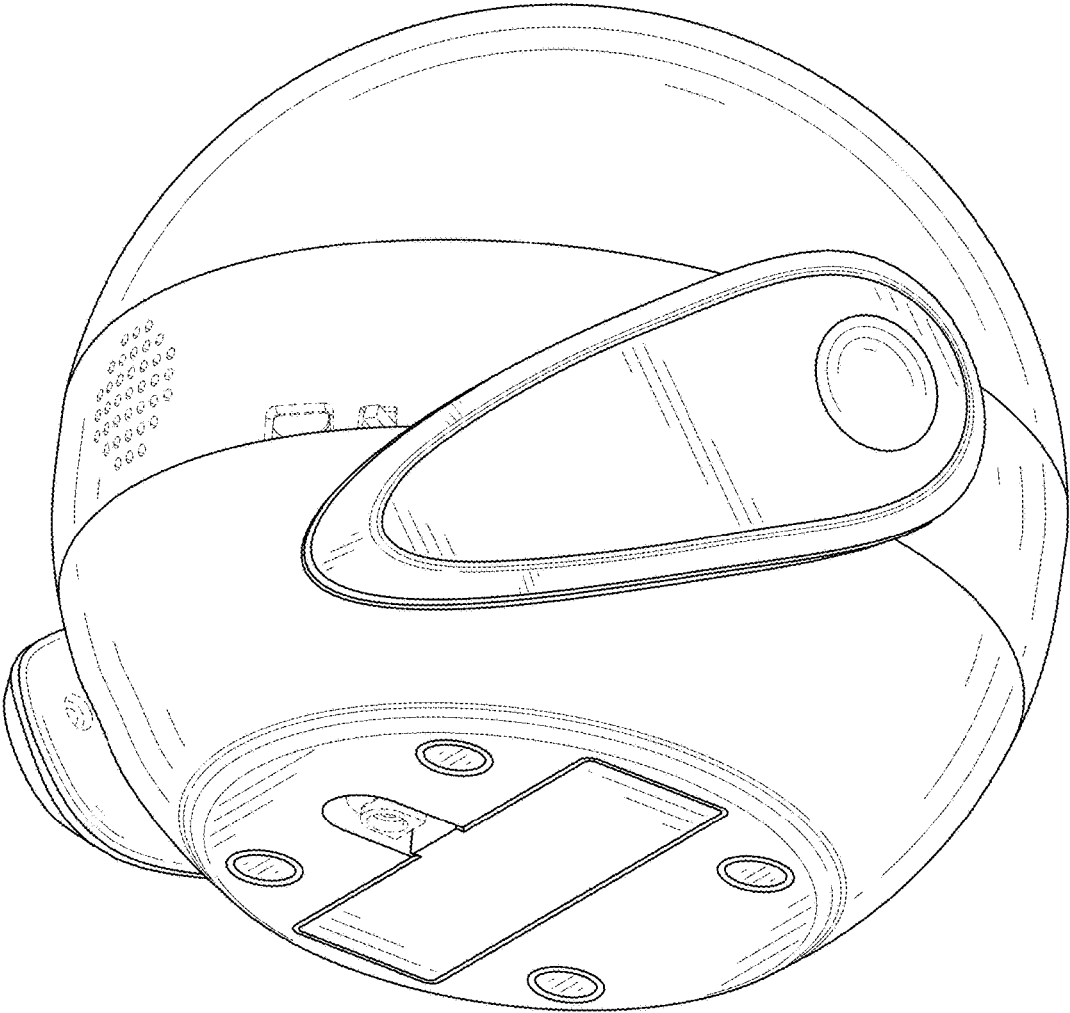


FIG. 1

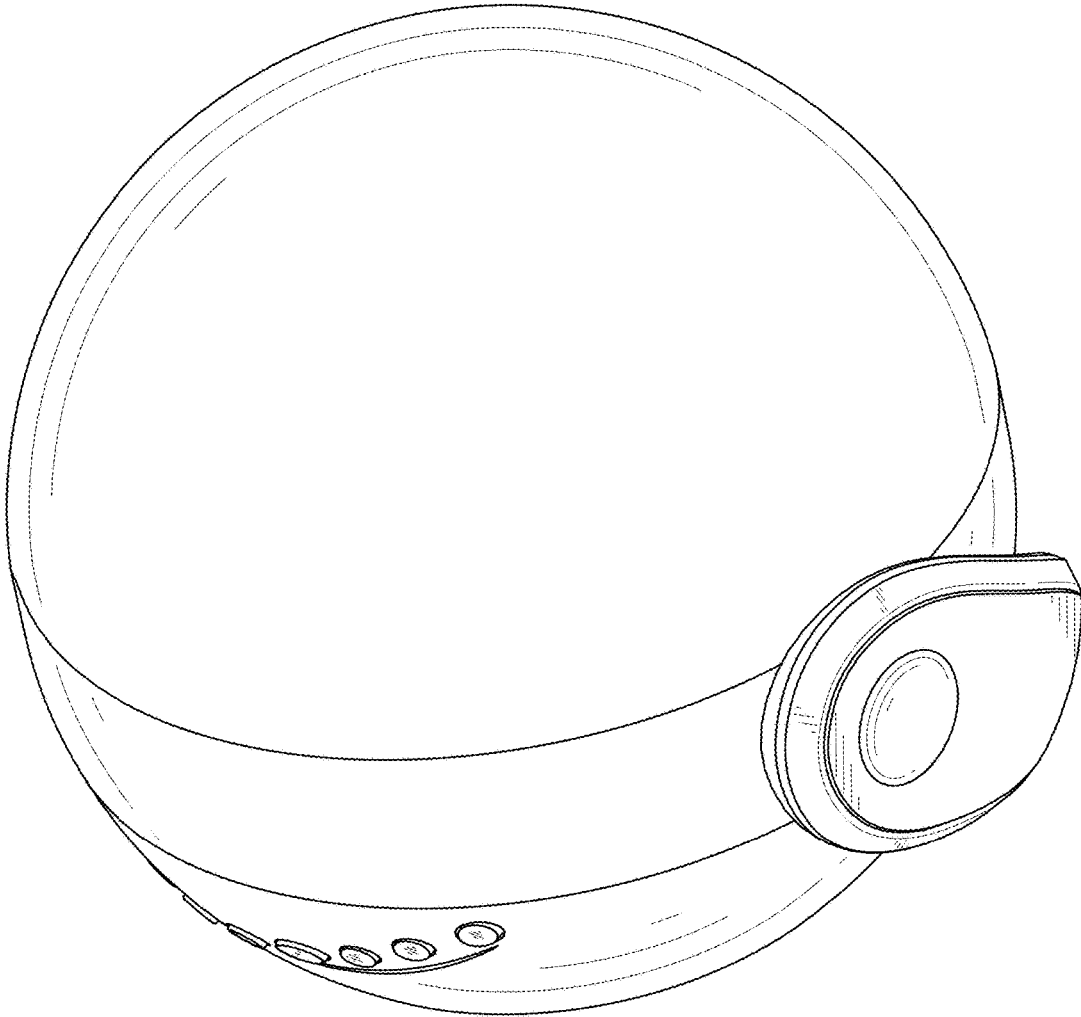


FIG. 2

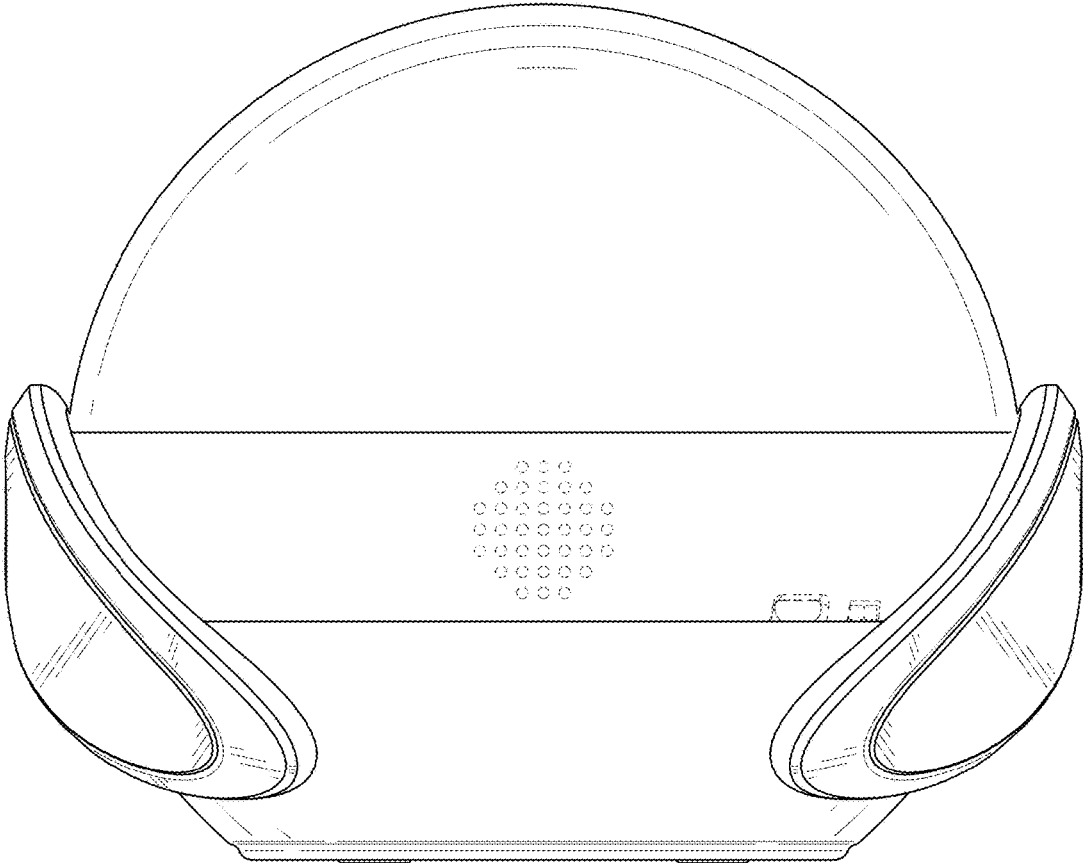


FIG. 3

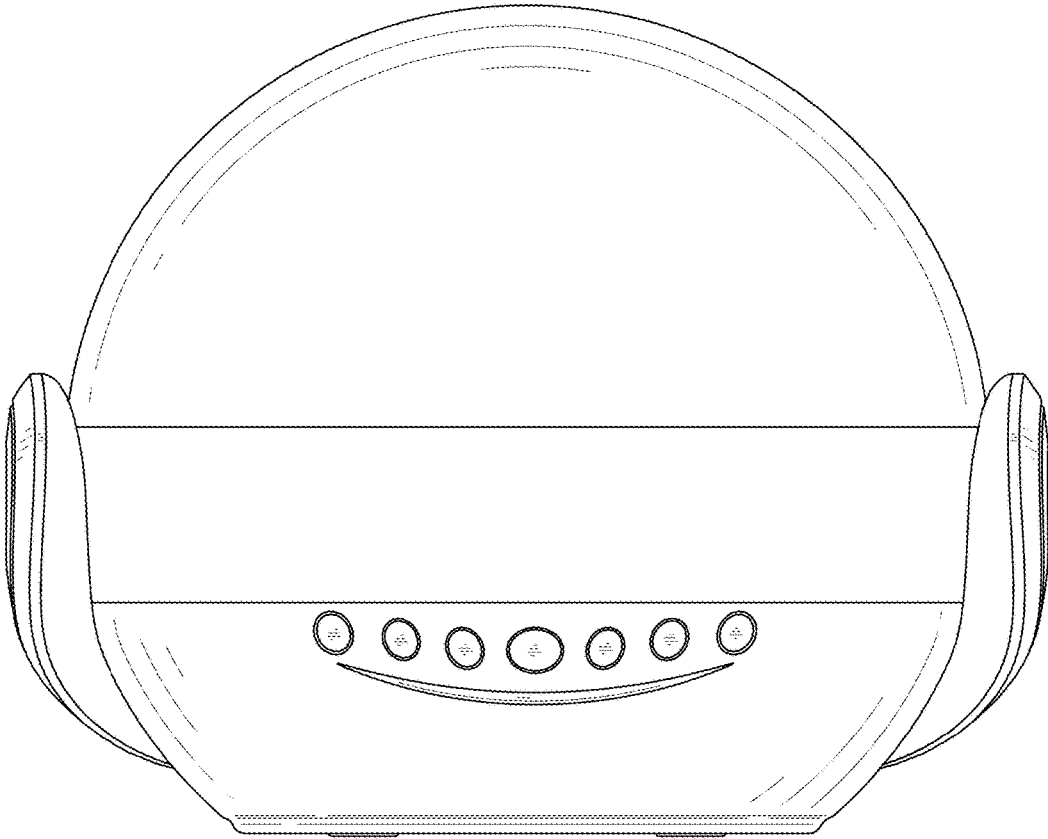


FIG. 4

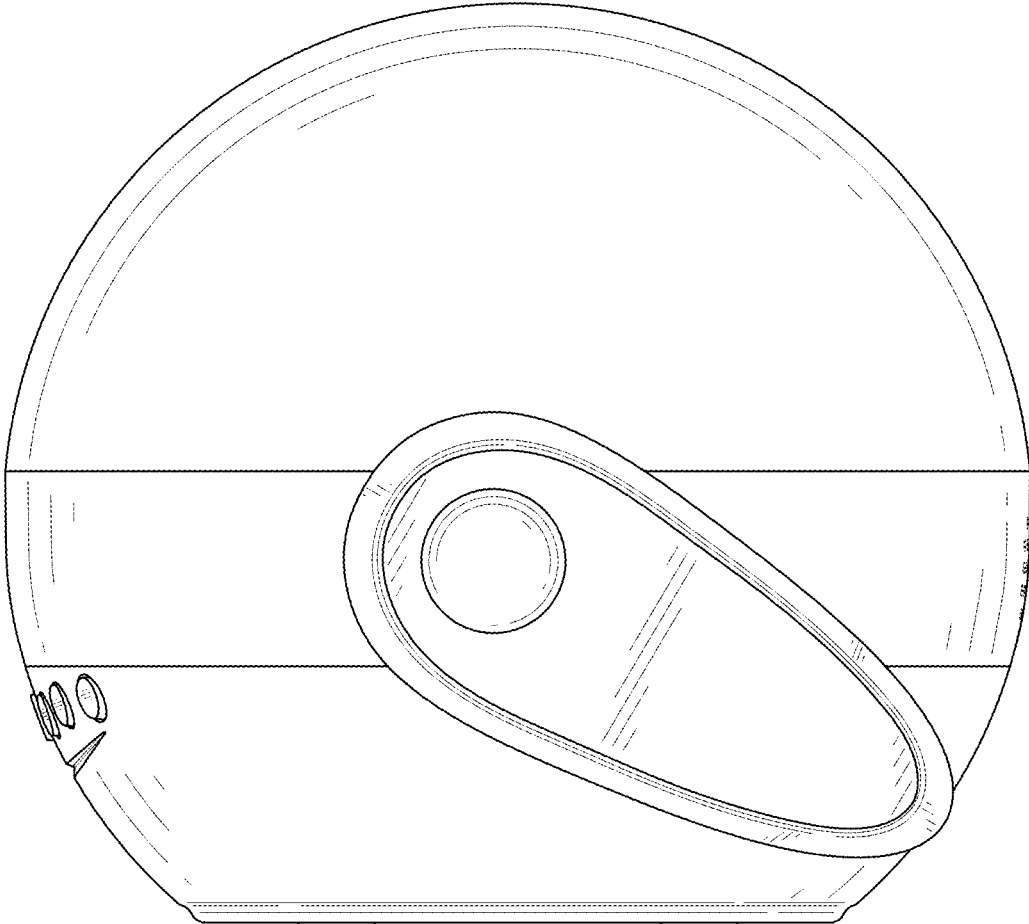


FIG. 5

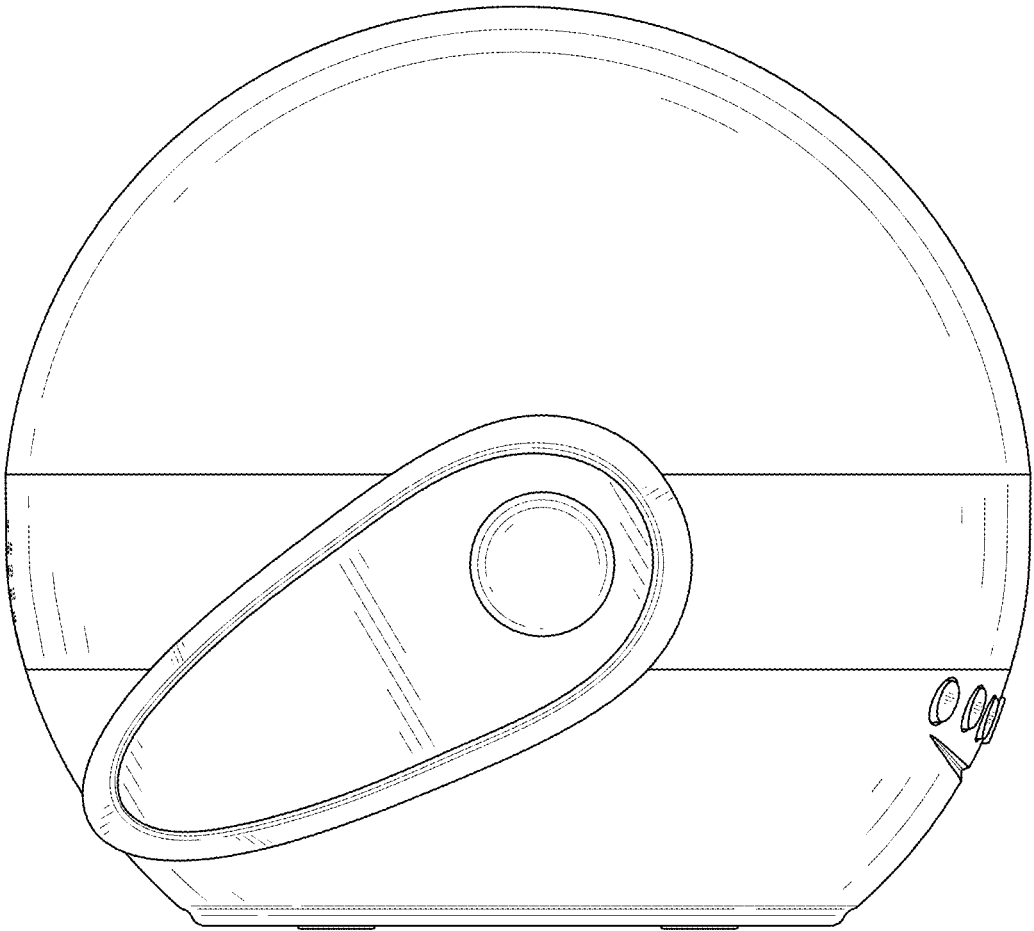


FIG. 6

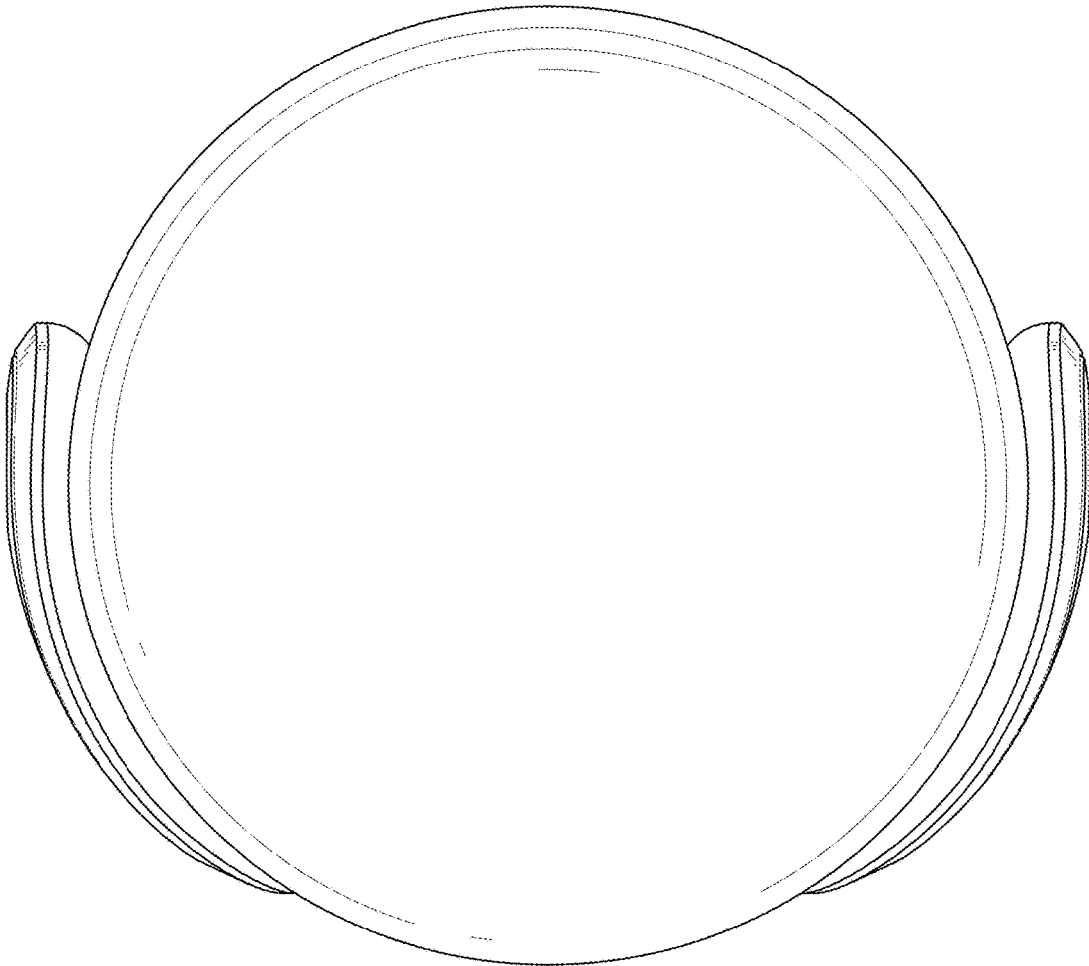


FIG. 7



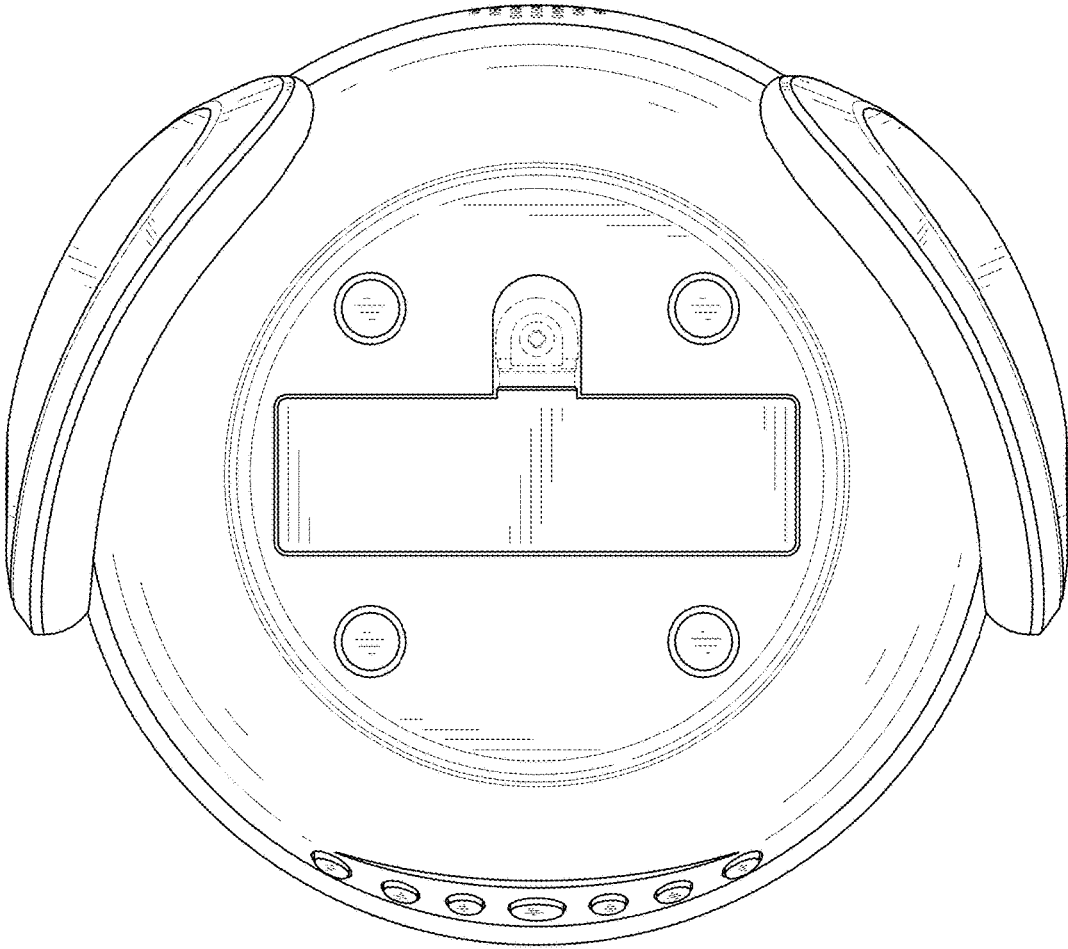


FIG. 8

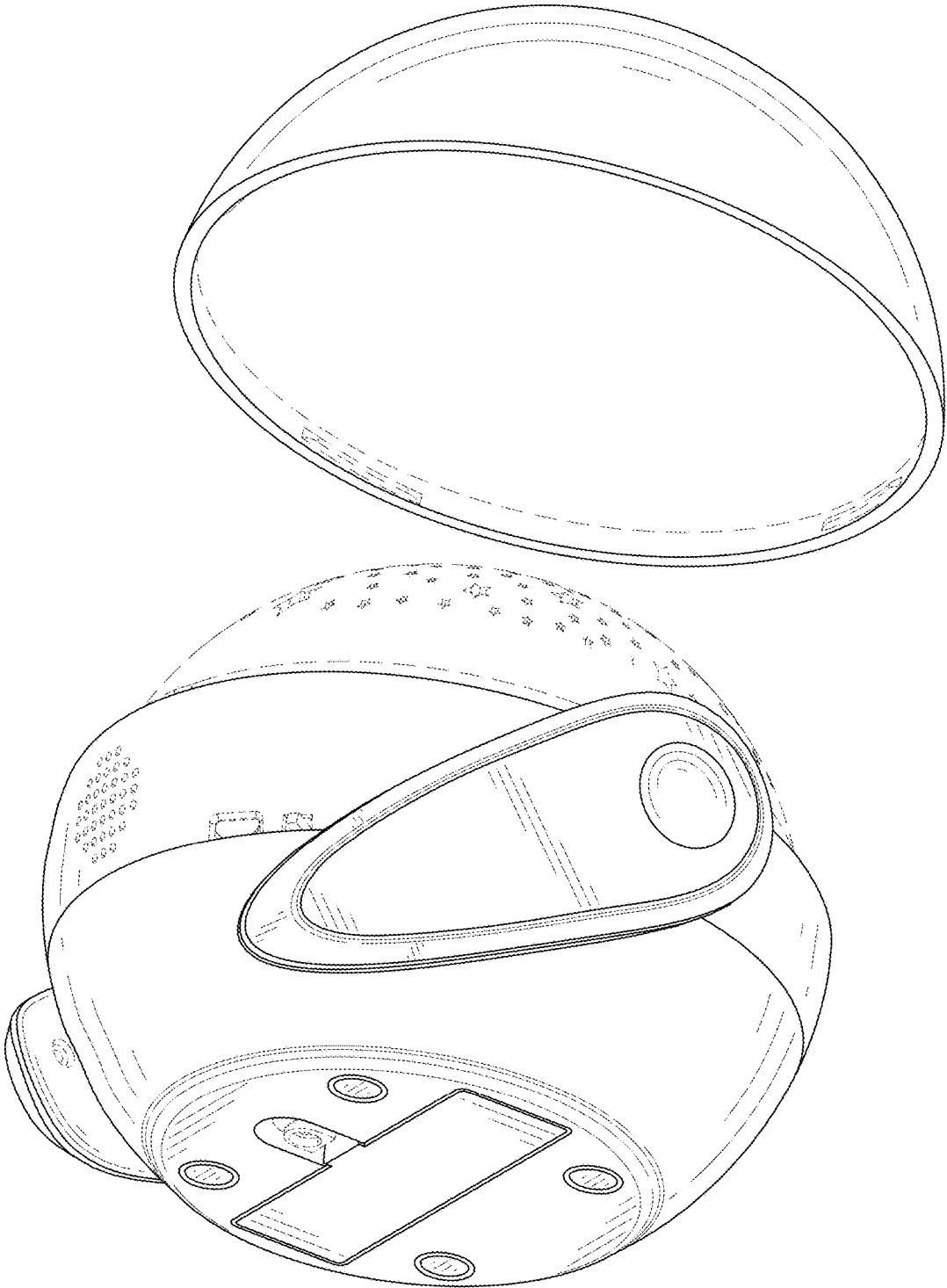


FIG. 9

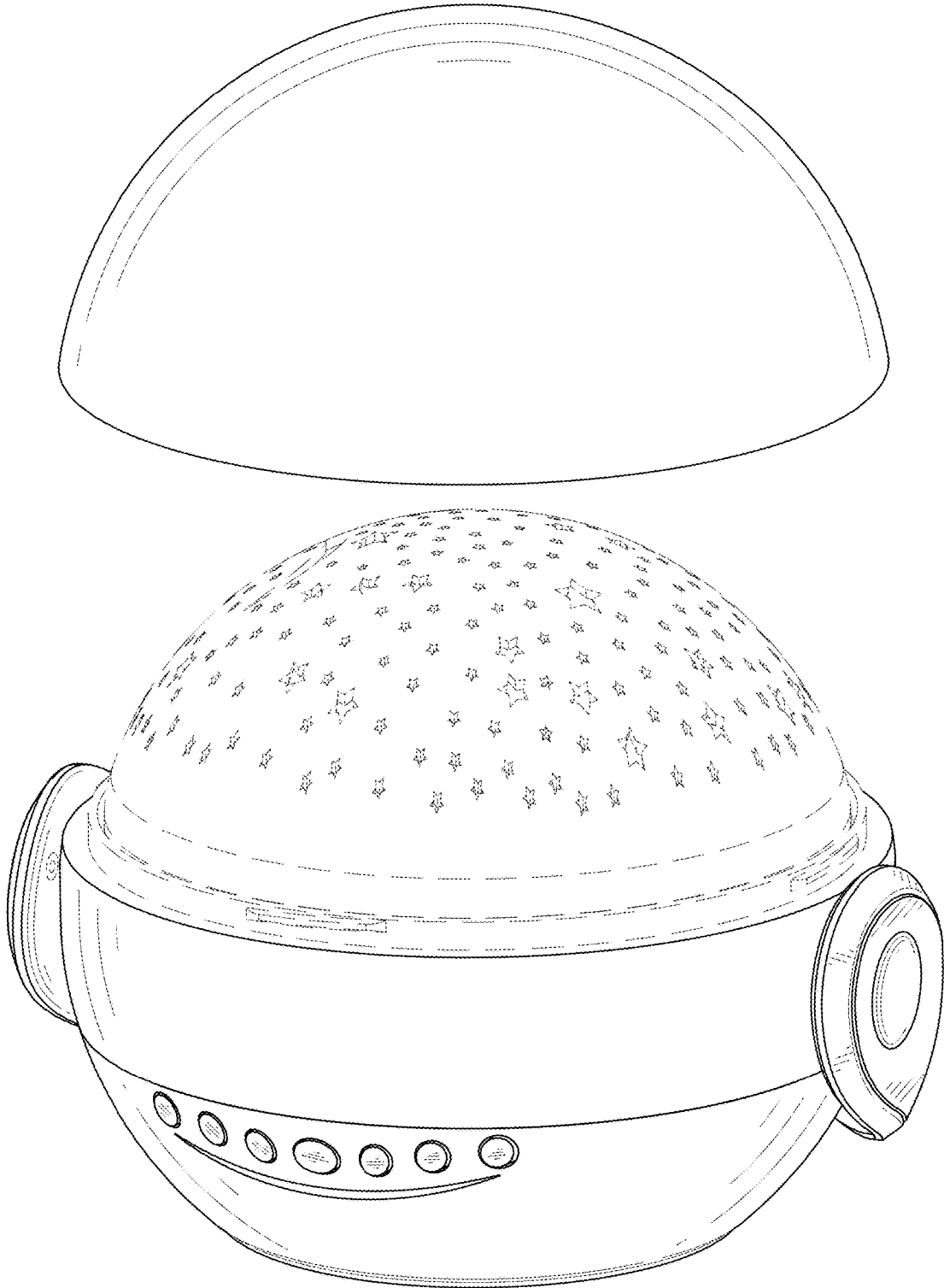


FIG. 10