

(19) World Intellectual Property Organization
International Bureau



(43) International Publication Date
5 October 2006 (05.10.2006)

PCT

(10) International Publication Number
WO 2006/104904 A3

(51) International Patent Classification:

B65D 88/14 (2006.01) B65D 90/02 (2006.01)
B65D 90/22 (2006.01) E05G 1/024 (2006.01)

(21) International Application Number:

PCT/US2006/010831

(22) International Filing Date: 23 March 2006 (23.03.2006)

(25) Filing Language: English

(26) Publication Language: English

(30) Priority Data:

60/664,940 25 March 2005 (25.03.2005) US

(71) Applicant (for all designated States except US): FEDEX CORPORATION [US/US]; 3620 Hack Cross Road, Building B, Third Floor, Memphis, TN 38125 (US).

(72) Inventors; and

(75) Inventors/Applicants (for US only): PELTZ, Jeffrey, E. [US/US]; 1791 Carr Avenue, Memphis, TN 38104 (US). BENJAMIN, Arthur, J. [US/US]; 2562 Meadow Run Street, Germantown, TN 38138-6254 (US).

(74) Agent: GARRETT, Arthur, S.; Finnegan, Henderson, Farabow, Garrett & Dunner LLP, 901 New York Avenue, N.W., Washington, DC 20001 (US).

(81) Designated States (unless otherwise indicated, for every kind of national protection available): AE, AG, AL, AM, AT, AU, AZ, BA, BB, BG, BR, BW, BY, BZ, CA, CH, CN, CO, CR, CU, CZ, DE, DK, DM, DZ, EC, EE, EG, ES, FI, GB, GD, GE, GH, GM, HR, HU, ID, IL, IN, IS, JP, KE, KG, KM, KN, KP, KR, KZ, LC, LK, LR, LS, LT, LU, LV, LY, MA, MD, MG, MK, MN, MW, MX, MZ, NA, NG, NI, NO, NZ, OM, PG, PH, PL, PT, RO, RU, SC, SD, SE, SG, SK, SL, SM, SY, TJ, TM, TN, TR, TT, TZ, UA, UG, US, UZ, VC, VN, YU, ZA, ZM, ZW.

(84) Designated States (unless otherwise indicated, for every kind of regional protection available): ARIPO (BW, GH, GM, KE, LS, MW, MZ, NA, SD, SL, SZ, TZ, UG, ZM, ZW), Eurasian (AM, AZ, BY, KG, KZ, MD, RU, TJ, TM), European (AT, BE, BG, CH, CY, CZ, DE, DK, EE, ES, FI, FR, GB, GR, HU, IE, IS, IT, LT, LU, LV, MC, NL, PL, PT, RO, SE, SI, SK, TR), OAPI (BF, BJ, CF, CG, CI, CM, GA, GN, GQ, GW, ML, MR, NE, SN, TD, TG).

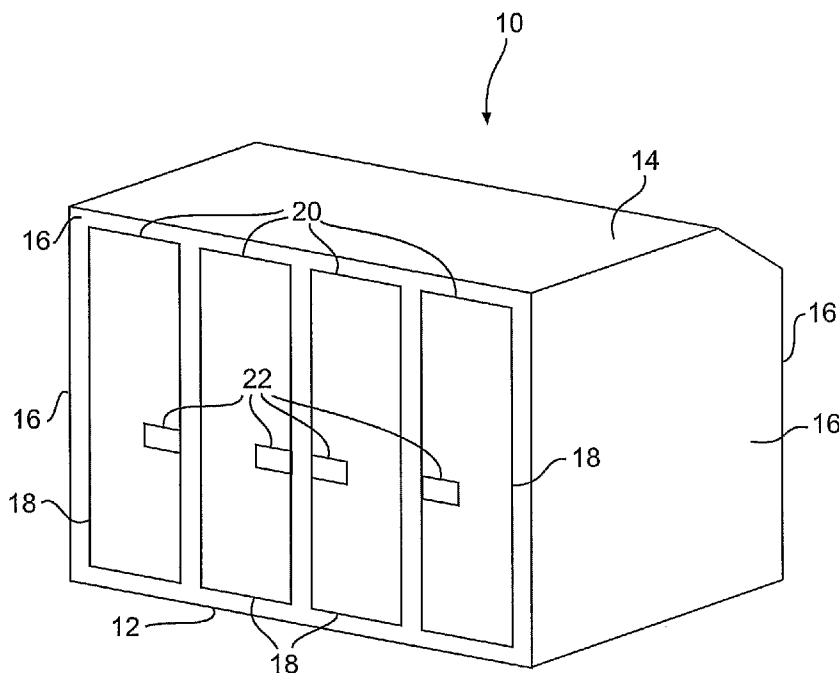
Published:

— with international search report

(88) Date of publication of the international search report:
11 January 2007

For two-letter codes and other abbreviations, refer to the "Guidance Notes on Codes and Abbreviations" appearing at the beginning of each regular issue of the PCT Gazette.

(54) Title: CONTAINER AND METHOD FOR CONTAINING AND/OR SUPPRESSING A FIRE



(57) Abstract: A container for containing and/or suppressing a fire may include a floor, a roof, and at least one wall associating the floor and the roof. The at least one wall may define an opening configured to provide access to the interior of the container. The container may further include at least one panel configured to close the opening. At least one of the floor, the roof, the at least one wall, and the at least one panel may include an intumescent material substantially covering an interior surface thereof.

WO 2006/104904 A3

INTERNATIONAL SEARCH REPORT

International application No

PCT/US2006/010831

A. CLASSIFICATION OF SUBJECT MATTER

INV. B65D88/14 B65D90/22 B65D90/02
 ADD. E05G1/024

According to International Patent Classification (IPC) or to both national classification and IPC

B. FIELDS SEARCHED

Minimum documentation searched (classification system followed by classification symbols)

A62C B65D E05G

Documentation searched other than minimum documentation to the extent that such documents are included in the fields searched

Electronic data base consulted during the international search (name of data base and, where practical, search terms used)

EPO-Internal

C. DOCUMENTS CONSIDERED TO BE RELEVANT

Category*	Citation of document, with indication, where appropriate, of the relevant passages	Relevant to claim No.
X	GB 2 277 871 A (* ENVIRONMENTAL SEALS LIMITED) 16 November 1994 (1994-11-16) page 3, line 3 - page 5, line 23; figures 1,3	1,2,5, 7-15
X	----- US 2003/094885 A1 (CLEVELAND TERRI PEARTREE ET AL) 22 May 2003 (2003-05-22) paragraph [0017]; figure 5	1,2,5, 7-15
X	----- EP 0 269 357 A (MICROPORE INTERNATIONAL LIMITED) 1 June 1988 (1988-06-01) column 4, line 20 - column 5, line 41; figure 3	1,2,5, 7-15

 Further documents are listed in the continuation of Box C.

 See patent family annex.

* Special categories of cited documents :

"A" document defining the general state of the art which is not considered to be of particular relevance
 "E" earlier document but published on or after the international filing date
 "L" document which may throw doubts on priority claim(s) or which is cited to establish the publication date of another citation or other special reason (as specified)
 "O" document referring to an oral disclosure, use, exhibition or other means
 "P" document published prior to the international filing date but later than the priority date claimed

"T" later document published after the international filing date or priority date and not in conflict with the application but cited to understand the principle or theory underlying the invention
 "X" document of particular relevance; the claimed invention cannot be considered novel or cannot be considered to involve an inventive step when the document is taken alone
 "Y" document of particular relevance; the claimed invention cannot be considered to involve an inventive step when the document is combined with one or more other such documents, such combination being obvious to a person skilled in the art.
 "&" document member of the same patent family

Date of the actual completion of the international search

27 June 2006

Date of mailing of the international search report

06. 10. 2006

Name and mailing address of the ISA/

European Patent Office, P.B. 5818 Patentlaan 2
 NL - 2280 HV Rijswijk
 Tel. (+31-70) 340-2040, Tx. 31 651 epo nl,
 Fax: (+31-70) 340-3016

Authorized officer

Cazacu, Corneliu

INTERNATIONAL SEARCH REPORT

International application No.
PCT/US2006/010831

Box II Observations where certain claims were found unsearchable (Continuation of item 2 of first sheet)

This International Search Report has not been established in respect of certain claims under Article 17(2)(a) for the following reasons:

1. Claims Nos.:
because they relate to subject matter not required to be searched by this Authority, namely:

2. Claims Nos.:
because they relate to parts of the International Application that do not comply with the prescribed requirements to such an extent that no meaningful International Search can be carried out, specifically:

3. Claims Nos.:
because they are dependent claims and are not drafted in accordance with the second and third sentences of Rule 6.4(a).

Box III Observations where unity of invention is lacking (Continuation of item 3 of first sheet)

This International Searching Authority found multiple inventions in this international application, as follows:

see additional sheet

1. As all required additional search fees were timely paid by the applicant, this International Search Report covers all searchable claims.
2. As all searchable claims could be searched without effort justifying an additional fee, this Authority did not invite payment of any additional fee.
3. As only some of the required additional search fees were timely paid by the applicant, this International Search Report covers only those claims for which fees were paid, specifically claims Nos.:
4. No required additional search fees were timely paid by the applicant. Consequently, this International Search Report is restricted to the invention first mentioned in the claims; it is covered by claims Nos.:

1,2,5,7-15

Remark on Protest

- The additional search fees were accompanied by the applicant's protest.
- No protest accompanied the payment of additional search fees.

FURTHER INFORMATION CONTINUED FROM PCT/ISA/ 210

This International Searching Authority found multiple (groups of) inventions in this international application, as follows:

1. claims: 1, 2, 5, 7-15

- intumescent material

2. claims: 3, 4, 6

- container wall/roof/panel components

INTERNATIONAL SEARCH REPORT

Information on patent family members

International application No

PCT/US2006/010831

Patent document cited in search report	Publication date	Patent family member(s)	Publication date
GB 2277871	A	16-11-1994	NONE

US 2003094885	A1	22-05-2003	AU 2002348364 A1 10-06-2003
			CA 2467362 A1 30-05-2003
			CN 1589356 A 02-03-2005
			EP 1453733 A2 08-09-2004
			MX PA04004488 A 13-09-2004
			TW 538192 B 21-06-2003
			WO 03043891 A2 30-05-2003

EP 0269357	A	01-06-1988	DE 3771313 D1 14-08-1991
			JP 2571700 B2 16-01-1997
			JP 63147077 A 20-06-1988
			US 4893397 A 16-01-1990
