



US00D765147S

(12) **United States Design Patent** (10) **Patent No.:** **US D765,147 S**
Schaller et al. (45) **Date of Patent:** **** Aug. 30, 2016**

(54) **VACUUM PUMP**
(71) Applicant: **ATELIERS BUSCH SA**, Chevenez (CH)
(72) Inventors: **Christian Schaller**, Rossemaison (CH); **Michel Boulicaut**, Aibre (FR); **Yannick Laversin**, Hérimoncourt (FR)
(**) Term: **15 Years**
(21) Appl. No.: **35/500,438**
(22) Filed: **Dec. 15, 2015**

D591,310 S * 4/2009 Soja D15/7
D602,960 S * 10/2009 Bukoski D15/9
D603,426 S * 11/2009 Hauser D15/7
D609,595 S * 2/2010 Soderstrom D15/7
D617,814 S * 6/2010 Dreifert D15/7
D619,624 S * 7/2010 Iwagoshi D15/7
D621,853 S * 8/2010 Sundheim D15/7
D656,518 S * 3/2012 Varini D15/7
D664,155 S * 7/2012 Milner D15/7
D668,684 S * 10/2012 Noguchi D15/9
D676,063 S * 2/2013 Soja D15/7
D676,462 S * 2/2013 Soja D15/7
D677,281 S * 3/2013 Muller D15/7
D677,282 S * 3/2013 Soja D15/7
D677,283 S * 3/2013 Soja D15/7
D677,701 S * 3/2013 Moysi D15/7
D723,064 S * 2/2015 Eisele D15/7

(80) **Hague Agreement Data**
Int. Filing Date: **Dec. 15, 2015**
Int. Reg. No.: **DM/088663**
Int. Reg. Date: **Dec. 15, 2015**
Int. Reg. Pub. Date: **Jan. 1, 2016**
(51) **LOC (10) Cl.** **15-02**
(52) **U.S. Cl.**
USPC **D15/7**
(58) **Field of Classification Search**
USPC D15/7-9; D23/225-233; 417/60, 235, 417/265, 321, 355-363, 410.1, 415-416, 417/405, 900; 60/408-412; 415/140-147; 123/495-509; D24/111
See application file for complete search history.

* cited by examiner

Primary Examiner — Richard E Chilcot

(57) **CLAIM**

The ornamental design for a vacuum pump, as shown and described.

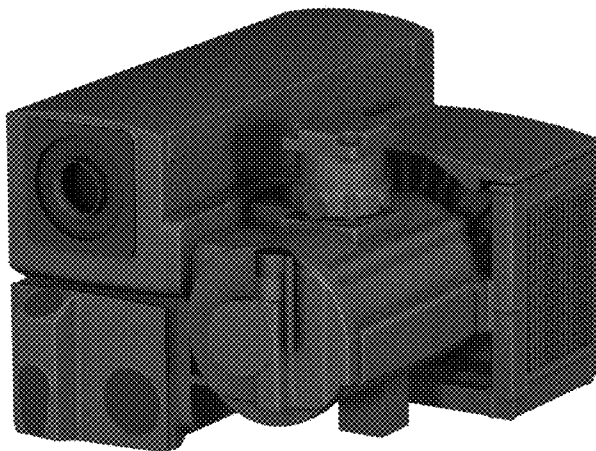
DESCRIPTION

The file of this patent contains at least one drawing/photograph executed in color. Copies of this patent with color drawing(s)/photograph(s) will be provided by the Office upon request and payment of the necessary fee.

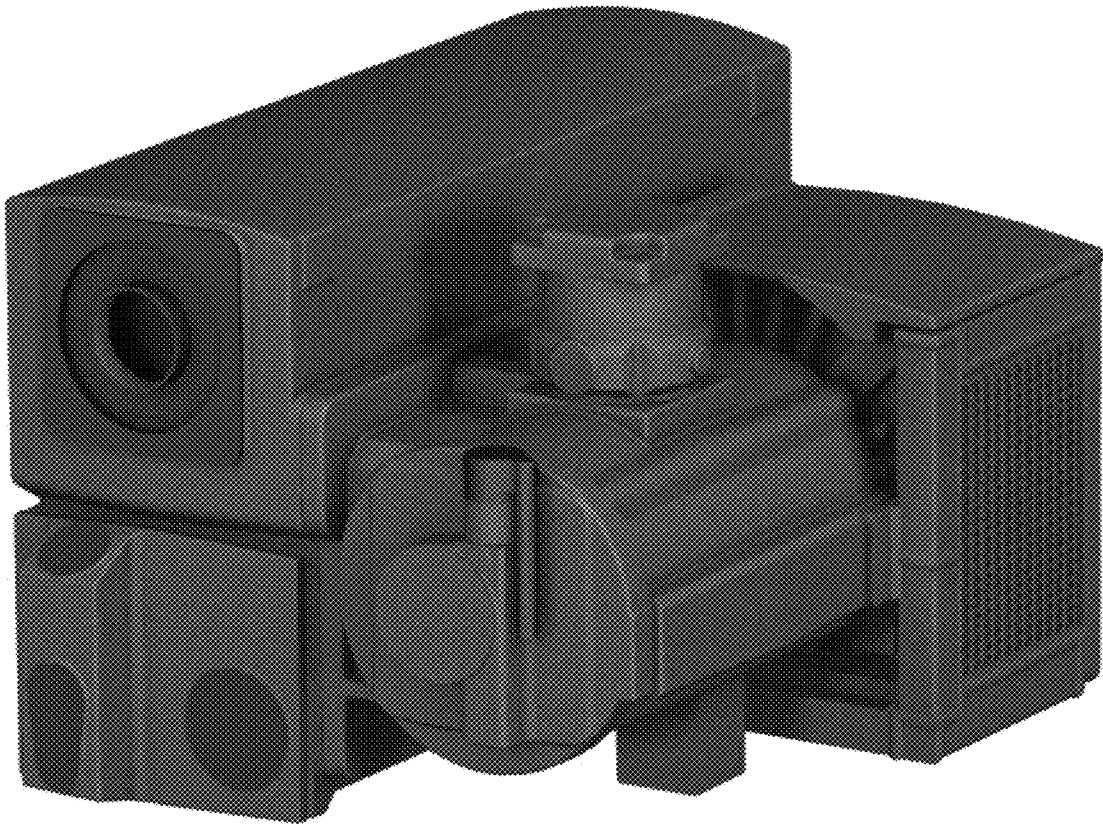
- 1. Vacuum pump
- 1.1 : Perspective
- 1.2 : Perspective
- 1.3 : Perspective
- 1.4 : Perspective
- 1.5 : Front
- 1.6 : Back
- 1.7 : Left
- 1.8 : Right
- 1.9 : Top
- 1.10 : Bottom

(56) **References Cited**
U.S. PATENT DOCUMENTS
D263,302 S * 3/1982 Terajima D15/7
D328,304 S * 7/1992 Frohn D15/1
D339,144 S * 9/1993 Cline, Sr. D15/7
D406,268 S * 3/1999 Lamond D15/7
D450,327 S * 11/2001 Mori D15/7
D485,565 S * 1/2004 Martinello D15/7
D518,068 S * 3/2006 Rodopoulos D15/7
D558,232 S * 12/2007 Wang D15/7
D558,795 S * 1/2008 Saunders D15/7
D573,609 S * 7/2008 Bilger D15/7

1 Claim, 10 Drawing Sheets
(10 of 10 Drawing Sheet(s) Filed in Color)



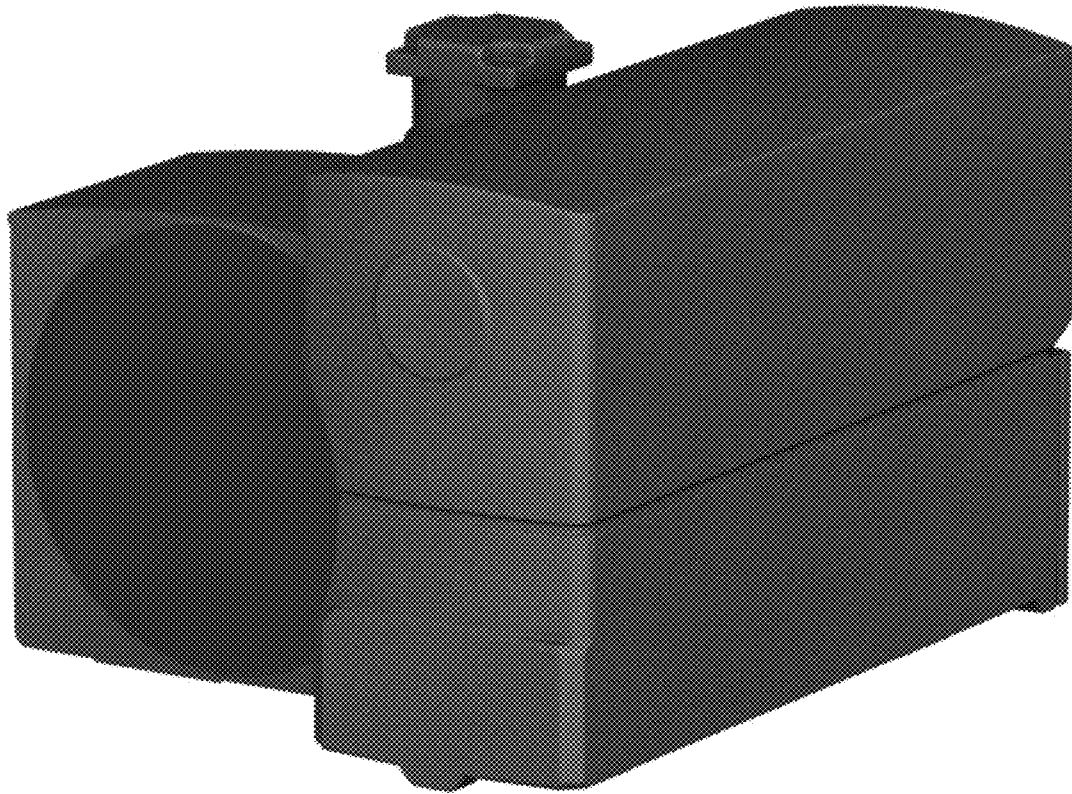
1.1



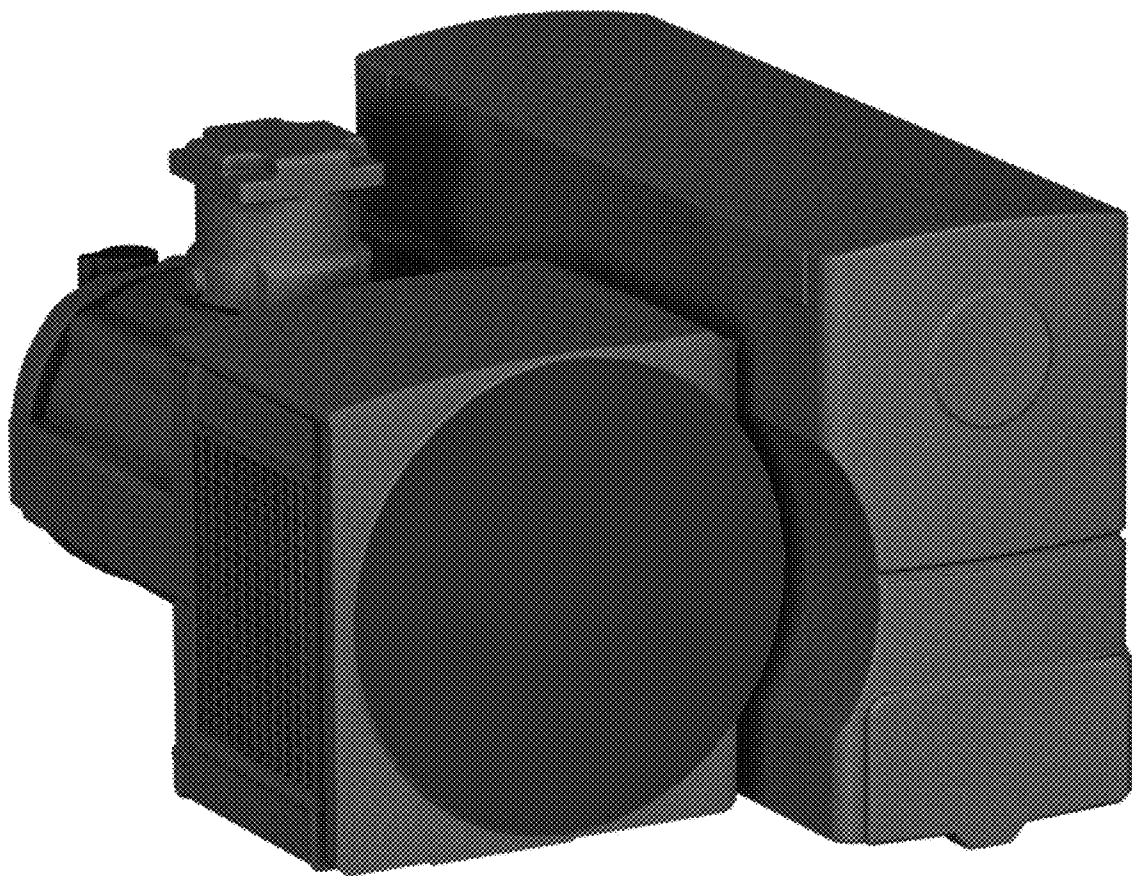
1.2



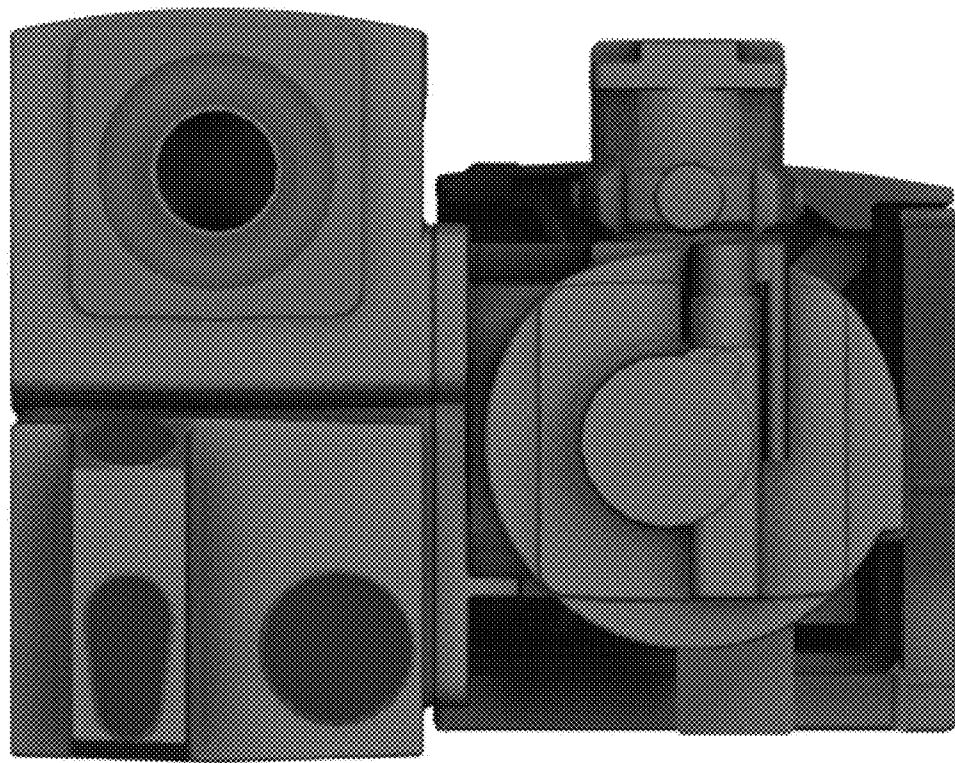
1.3



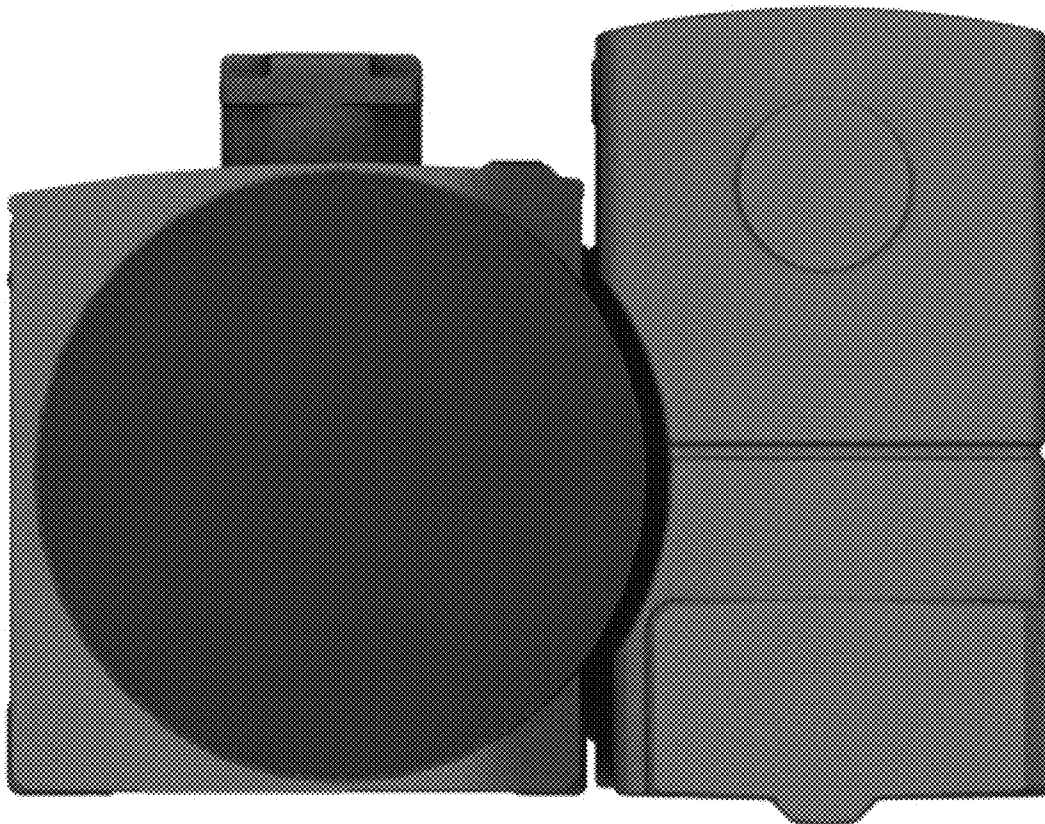
1.4



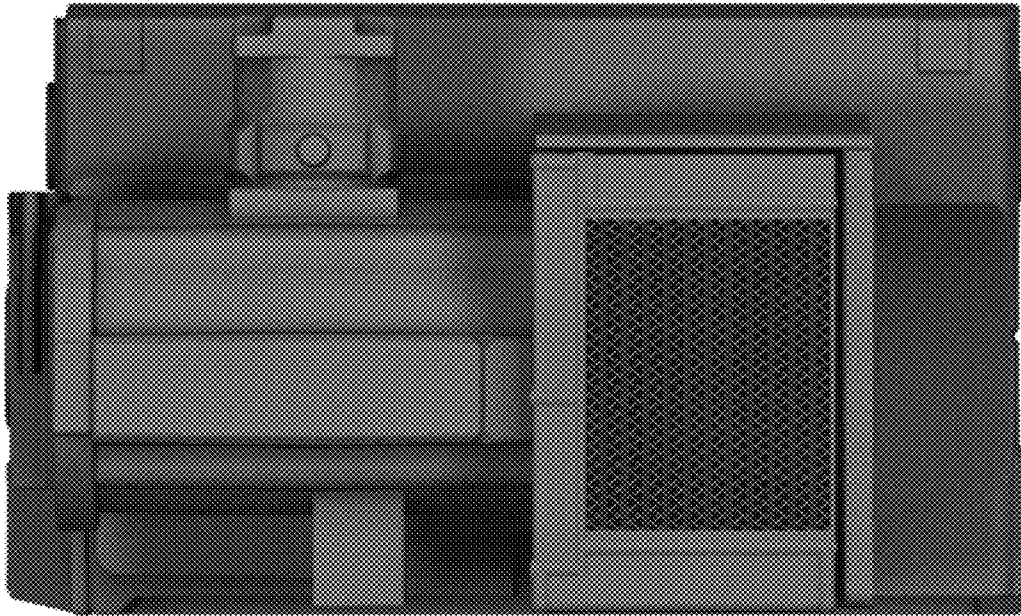
1.5



1.6



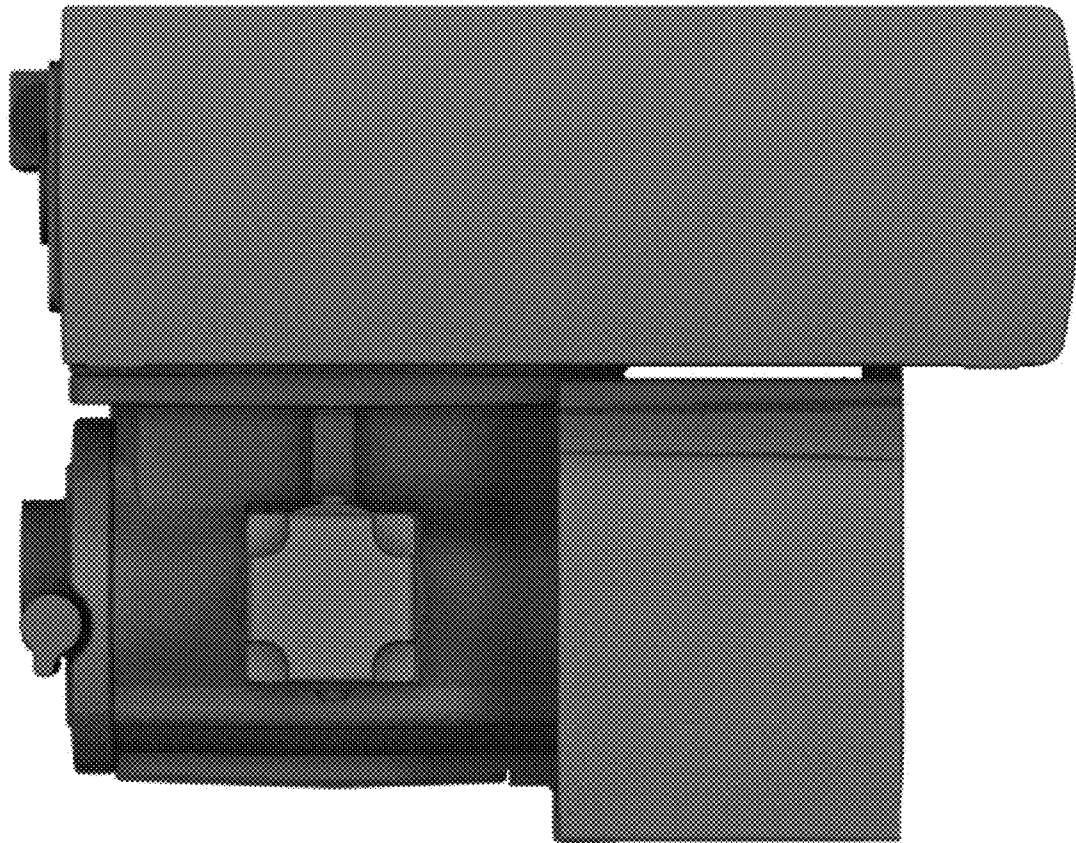
1.7



1.8



1.9



1.10

