

186,032

## PEG BOARD TOY

Henry R. Redka, Bronx, N.Y.

Application September 4, 1957, Serial No. 47,602

Term of patent 14 years

(Cl. D34-15)

Fig. 1.

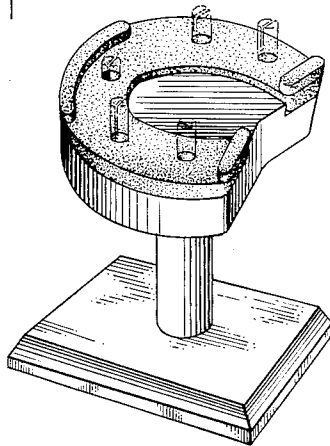


Fig. 2.

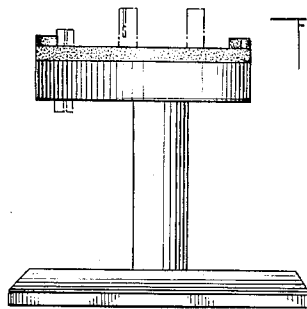


Fig. 1 is a perspective view of a peg board toy, showing the new design; and

Fig. 2 is a side elevational view thereof.

The dominant feature of my design resides in the portions shown in full lines.

I claim:

The ornamental design for a peg board toy, substantially as shown and described.

### References Cited in the file of this patent

#### UNITED STATES PATENTS

D. 18,215	Greenwood	Mar. 27, 1888
D. 128,657	Wheeler et al.	Aug. 5, 1941
1,291,495	Harburger	Jan. 14, 1919
2,197,976	Fletcher	Apr. 23, 1940