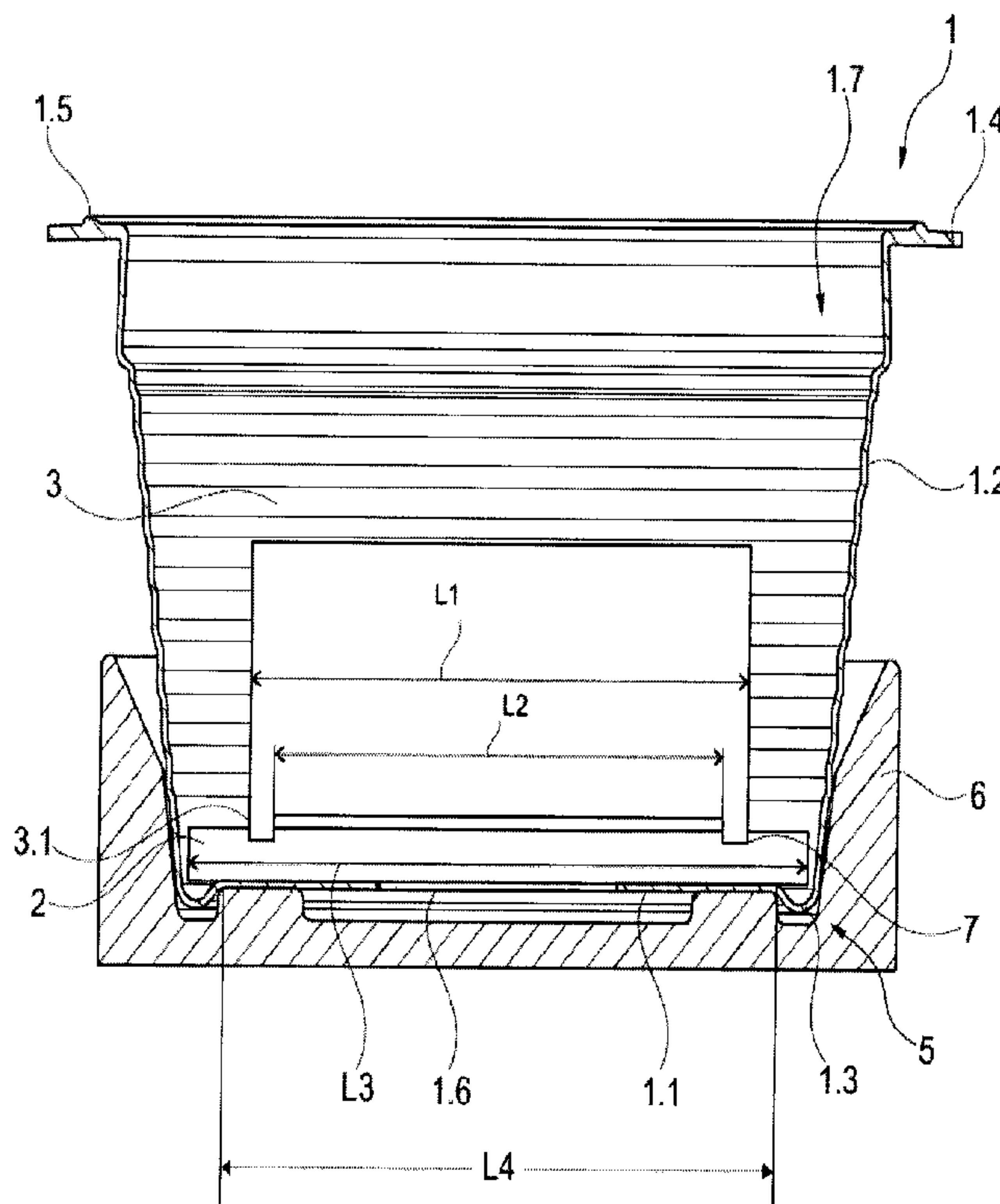




(86) Date de dépôt PCT/PCT Filing Date: 2016/02/22
 (87) Date publication PCT/PCT Publication Date: 2016/09/01
 (45) Date de délivrance/Issue Date: 2019/10/22
 (85) Entrée phase nationale/National Entry: 2017/08/25
 (86) N° demande PCT/PCT Application No.: EP 2016/053684
 (87) N° publication PCT/PCT Publication No.: 2016/135105
 (30) Priorité/Priority: 2015/02/27 (DE10 2015 203 585.9)

(51) Cl.Int./Int.Cl. *B65D 85/804* (2006.01)
 (72) Inventeurs/Inventors:
 EMPL, GUNTER, DE;
 THROM, ANDRE, DE;
 HANISCH, MARCO, DE
 (73) Propriétaire/Owner:
 K-FEE SYSTEM GMBH, DE
 (74) Agent: SMART & BIGGAR IP AGENCY CO.

(54) Titre : CAPSULE POURVUE D'UN ELEMENT FILTRANT RELIE PAR SCELLAGE
 (54) Title: SINGLE SERVE CAPSULE COMPRISING A FILTER ELEMENT CONNECTED THERETO BY SEALING



(57) **Abrégé/Abstract:**

The present invention relates to a single serve capsule for preparing a beverage, comprising a side wall and a bottom, which together define a space, a filter element being sealed to the bottom within said space.

ABSTRACT

The present invention relates to a single serve capsule for preparing a beverage, comprising a side wall and a bottom, which together define a space, a filter element being sealed to the bottom within said space.

DESCRIPTION**Title**

5 Single serve capsule comprising a filter element connected thereto by sealing

Prior art

10 The present invention relates to a single-serve capsule for producing a beverage, having a side wall and a base which together define a space, wherein, within the space, a filter element is sealed to the base.

Such single-serve capsules are known from the prior art and are used for example to produce coffee or tea or coffee-like beverages such as espresso. For example, the documents
15 EP 1 792 850 B1, EP 1 344 722 A1 and US 2003/0172813 A1 disclose single-serve capsules for preparing coffee and espresso. The single-serve capsules are preferably shaped in a frustoconical or cylindrical manner and are produced for example from a thermoformed plastic film or by a plastic injection-molding process. They usually have a side wall with an encircling flange, an open filling side for a beverage substrate to be extracted and/or dissolved for
20 beverage production, and a capsule base, wherein a filter element that is supported on the capsule base is arranged between the beverage substrate and the capsule base. After the filter element has been introduced and sealed to the single-serve capsule base and the beverage substrate has been introduced, the single-serve capsule is closed with a cover film, which is, for example, sealed or adhesively bonded to the flange. In order to prepare a coffee beverage, the
25 single-serve capsule is introduced into a brewing chamber of a preparation appliance. Before, after or during the introduction of the single-serve capsule into the brewing chamber, the single-serve capsule is preferably opened on its base side, and after the brewing chamber has been sealed off, the filling side, closed off by a closure film, of the single-serve capsule is perforated by means of a piercing means. Subsequently, preparation liquid, preferably hot water, is
30 delivered under pressure into the single-serve capsule. The preparation liquid flows through the beverage substrate and extracts and/or dissolves the substances required for beverage production from the beverage substrate. In order to prepare an espresso, a brewing water pressure of up to 20 bar for example acts on the coffee powder in order to extract the essential oils.

35

The document DE 10 2012 109 186 A1 furthermore discloses a single-serve capsule which has a filter element that is sealed to the base of the single-serve capsule with the aid of an annular sealing seam, wherein the inside diameter of the sealing seam is 67-77% of the diameter of the filter element and the outside diameter of the sealing seam is 84-94% of the diameter of the filter element, in order to reduce foam formation at the surface of the produced beverage.

A drawback of this solution is that the sealing seam is located comparatively close to the outer periphery of the filter element and thus precise positioning of the filter element relative to the sealing tool is necessary during the production of the single-serve capsule.

Disclosure of the invention

Therefore, it was the object of the present invention to provide a single-serve capsule which does not have the drawbacks of the prior art and is in particular easier and more cost-effective to produce.

The object is achieved by a single-serve capsule for producing a beverage, having a side wall and a base which together define a space, wherein, within the space, a filter element is sealed to the base or to a carrier element by a substantially annular sealing seam, wherein the filter element comprises a nonwoven and wherein the outside diameter of the sealing seam is 55 to 75 percent of the diameter of the filter element.

Compared with the prior art, the single-serve capsule according to the invention has the advantage that the outside diameter of the sealing seam is at a relatively large distance from the outer periphery of the filter element, such that precise positioning of the filter element relative to the sealing tool is not necessary during the production of the single-serve capsule. At the same time, it has surprisingly been found that the associated reduction in the active filter area available in the center of the nonwoven-based filter element does not result in any impairment of the production of the beverage. The single-serve capsule according to the invention is thus easier and more cost-effective to produce compared with single-serve capsules known from the prior art, without the beverage quality deteriorating. Preferably, the outside diameter of the sealing seam is 60 to 70 percent of the diameter of the filter element. The single-serve capsule is filled in particular with beverage raw material, for example instant coffee powder, ground roasted coffee beans, blended tea leaves, cocoa powder, milk powder and/or the like. It would also be conceivable for the filter element not to be sealed directly to the base of the single-serve

capsule but to a carrier element arranged in the interior of the single-serve capsule. The carrier element serves to carry the filter element and either preferably rests on the base or is spaced apart from the base. The carrier element can be for example a rigid plastic injection-molding.

5 The filter element is provided in a disk-like manner and preferably has a circular cross section. Within the meaning of the present invention, the diameter of the filter element includes in particular the maximum or mean diameter of this cross section of the filter element. The sealing seam which connects the filter element to the base of the single-serve capsule in a materially bonded manner is preferably attached by ultrasonic welding. Preferably, the filter element is
10 liquid impermeable in the region of the sealing seam following sealing.

The inside diameter of the sealing seam is preferably 45 to 65 percent and preferably 50 to 60 percent of the diameter of the filter element. It has been shown that, with such an inside diameter of the sealing seam, a sufficiently large active filter area is still available in the center of
15 the filter element, in order to rapidly create a high-quality beverage with the single-serve capsule. The width of the sealing seam is then preferably 1 to 1.5 millimeters.

In absolute terms, the diameter of the filter element is preferably between 24 and 36 millimeters and particularly preferably between 29 and 31 millimeters.
20

The filter element, or nonwoven material, preferably comprises an area density (also referred to as grammage or surface weight) of between 50 and 500 grams per square meter, particularly preferably between 75 and 250 grams per square meter, and very particularly preferably substantially 100 grams per square meter for single-serve capsules for producing tea, coffee,
25 espresso or the like.

Preferably, the surface of the nonwoven material is treated, preferably heat-treated, in order for example to fix loose fibers. The heat treatment preferably takes place only on a side of the filter element that faces away from the beverage raw material, in order to knot or bind the
30 fibers such that the fibers do not pass into the beverage. On the other side of the filter element, i.e. on the side facing the beverage raw material, the filter element is preferably calendered, particularly preferably spot calendered. In this way, the volume of the nonwoven material is reduced and so more space for the beverage raw material is available within the single-serve capsule. However, it would also be conceivable for the filter element to be heat-treated on both
35 sides.

A further subject of the present invention is a single-serve capsule for producing a beverage, having a side wall and a base which together define a space, wherein, within the space, a filter element is sealed to the base or to a carrier element by a substantially annular sealing seam, wherein the filter element comprises a felt and wherein the outside diameter of the sealing seam is 75 to 85 percent of the maximum diameter of the filter element.

Compared with the prior art, the single-serve capsule according to the invention – similarly to the above-described single-serve capsule – again has the advantage that it is easier and more cost-effective to produce. However, it has been shown that when a filter element based on felt material is used, the outside diameter of the sealing seam has to be selected to be somewhat larger than in the case of a filter element based on nonwoven material, in order that the quality of the produced beverage is not impaired. In addition, with this diameter, very little foam formation is furthermore advantageously achieved on the produced beverage. Preferably, the outside diameter of the sealing seam for this purpose is 80 ± 2 percent of the maximum diameter of the filter element.

The inside diameter of the sealing seam is preferably 66 to 76 percent and particularly preferably 71 ± 2 percent of the maximum diameter of the filter element.

The cross section of the filter element based on felt material preferably has the form of a polygon and in particular of a hexagon. Within the meaning of the present invention, the maximum diameter is measured at the corners of the polygon. The maximum diameter of the filter element is preferably between 26 and 37 millimeters and particularly preferably between 31 and 32 millimeters in the region of the corners of the polygon. The minimum diameter of the filter element is preferably between 23 and 35 millimeters and particularly preferably between 28 and 30 millimeters in the region of the edges of the polygon. Alternatively, however, it would also be conceivable for the filter element based on felt material, like the filter element based on nonwoven material, to be provided with a circular cross section.

Preferably, the filter element has a felt structure. In particular, it is a needle felt structure. Preferably, the filter element consists of at least one felt structure and a carrier structure, in particular a woven structure, wherein, particularly preferably, the felt structure makes up at least a part of the volume of the carrier structure. Preferably, the felt structure extends over the entire cross section of the carrier structure, but particularly preferably only over a subregion of

the height. Preferably, the felt structure is connected to the carrier structure in a form-fitting, force-fitting and/or materially bonded manner. Preferably, the filter element has two or more felt structures, which are preferably separated from one another by the carrier structure. The thickness of the two felt structures can be the same or different. Preferably, a felt structure facing the powder or tea is thinner than the felt structure facing the capsule base, or vice versa.

Preferably, the surface of the felt structure is treated, for example heat-treated, in order for example to fix loose fibers. The heat treatment preferably takes place only on a side of the filter element that faces away from the beverage raw material, in order to knot or bind the fibers such that the fibers do not pass into the beverage. On the other side of the filter element, i.e. on the side facing the beverage raw material, the filter element is preferably calendered, particularly preferably spot calendered. In this way, the volume of the felt material is reduced and so more space for the beverage raw material is available within the single-serve capsule. However, it would also be conceivable for the filter element to be heat-treated on both sides.

Preferably, the filter element having a felt structure is merely laid in the capsule, in particular on the base thereof. However, the filter element can also be connected to the capsule, in particular the base thereof, in particular by material bonding. During perforation, the perforation means can penetrate into this filter element. Preferably, several filter elements, which have one or more felt structures and a carrier structure, are arranged one above another in the capsule and optionally connected together.

A filter element having a carrier structure, in particular a woven structure, and a felt structure is produced for example in that a woven structure consisting of longitudinal and transverse threads is made available. In order to construct a felt, in particular a needle felt, single fibers of 0.8 – 7 dtex are preferably selected. The individual fibers are connected together to form a felt and/or anchored in the carrier structure preferably by way of the production process of needling. In this case, needles having reversed barbs pierce the infed fibrous pack, and are retracted therefrom, at high speed. By way of the barbs, the fibers are interlooped with one another and/or with the woven carrier fabric by way of a multiplicity of loops that are created.

The filter element, or the carrier element, having one or more felt structures preferably comprises an area density (also referred to as grammage or surface weight) of between 100 and 1500 grams per square meter, particularly preferably between 650 and 1300 grams per

square meter, and very particularly preferably substantially 1150 grams per square meter for single-serve capsules for producing tea, coffee, espresso or the like.

5 In the embodiment having a filter element based on felt material, the filter element preferably has a thickness of between 0.8 and 3.3 millimeters, particularly preferably between 1.1 and 3.0 millimeters, and very particularly preferably 1.2-1.4 millimeters for the production of tea, and 2.6-3.0 millimeters for the production of coffee. In the embodiment with a filter element based on nonwoven material, the filter element preferably has a thickness of between 0.2 and 0.8 millimeters, particularly preferably between 0.25 and 0.39 millimeters, and very particularly
10 preferably substantially 0.32 millimeters.

The particularly preferred embodiments described in the following text relate both to the single-serve capsule having a filter element based on nonwoven material and to the single-serve capsules having a filter element based on felt material.

15

In a preferred embodiment, the width of the sealing seam is 1-1.5 millimeters.

Preferably, the base of the single-serve capsule has a substantially flat portion which is formed in a circular manner and the outside diameter of which is 84-94% of the diameter of the filter
20 element. The outer circumference of the flat portion is preferably adjoined by a bead by way of which the flat portion is somewhat spaced apart from a possible support. The bead furthermore forms the transition between the flat base and the side wall and gives the single-serve capsule stability. Preferably, the filter material extends into the region of the bead and at least partially covers the latter without touching it.

25

According to a preferred embodiment, the base has a clearance which is large enough that, when the beverage flows out of/through this clearance, substantially no pressure drop occurs. This clearance is preferably already incorporated into the capsule base before the filter element is sealed to the capsule base. The clearance is preferably closed off with a film or the like before
30 the preparation operation, said film being able to be pulled off or perforated by a piercing member.

35

Preferably, the diameter of the filter element is smaller, in particular 1-5% smaller, than the internal dimension of the single-serve capsule at the base level. However, it would also be conceivable for the diameter of the filter element to be greater than the diameter of the base. The periphery of the filter element is then folded up at the periphery of the base.

Further details, features and advantages of the invention can be gathered from the drawings and from the following description of preferred embodiments with reference to the drawings. In this case, the drawings illustrate merely exemplary embodiments of the invention, which do not
5 limit the essential concept of the invention.

Brief description of the drawings

Figure 1a shows a schematic sectional view of a single-serve capsule together with sealing tools according to a first exemplary embodiment of the present invention.
10

Figure 1b shows a schematic plan view of a single-serve capsule according to the first exemplary embodiment of the present invention.
15

Figure 2 shows a schematic plan view of a single-serve capsule according to a second exemplary embodiment of the present invention.

Embodiments of the invention

20
Figures 1a and 1b schematically illustrate the single-serve capsule 1 according to the invention according to the first embodiment, in figure 1a together with a sealing tool 3. The single-serve capsule 1 is embodied in a substantially frustoconical manner and has an encircling side wall 1.2 and a base region 1.1. The side wall 1.2 and the base region 1.1 define a space 1.7 in which a
25 filter element 2 is located which, in the present case, has a felt structure. The filter element 2 is sealed to the base 1.1 of the single-serve capsule 1, forming a sealing seam 7, by means of the sealing tool 3, which has sealing surfaces 3.1 at its lower end. In this case, the single-serve capsule 1 is held at least partially in a counterholder 6 of the sealing tool 3. The base 1.1 of the single-serve capsule 1 has a circular flat portion, the outer end of which is adjoined by an
30 annular bead 1.3, which at the same time represents the transition region 5 between the base 1.1 and the side wall 1.2. By way of the bead 1.3, the flat portion of the base 1.1 is spaced apart from a possible support on which the bead stands. Provided in the flat portion is a clearance 1.6, in this case a circular clearance, which is preferably large enough that, when the produced beverage flows out of the single-serve capsule 1, a noticeable pressure drop does not occur
35 and/or that the produced beverage is not swirled. As soon as the filter element 2 has been

sealed to the base of the single-serve capsule 1, in particular by ultrasound, and the sealing tool 3 has been removed from the single-serve capsule 1, the latter is filled with a beverage substrate, for example with blended tea or ground coffee and is then closed preferably with a film which is sealed or adhesively bonded to the flange 1.4 which adjoins the side wall in an annular manner. For this purpose, the flange preferably has a protrusion 1.5 which serves as a defined sealing face.

According to the invention, provision is now made for the sealing seam 7 to be provided in an annular manner and for the outside diameter of the sealing seam L2 to be 75-85%, preferably 80 ± 2%, in this case 79%, of the maximum diameter L3 of the filter element 2. As a result of this arrangement of the sealing seam 7, when the beverage is being produced, in particular during the production of coffee, no noticeable foam is produced and the single-serve capsule 1 is comparatively easy and cost-effective to produce. Preferably, the inside diameter L1 of the sealing seam is 66-76%, particularly preferably 71 ± 2%, in this case 71%, of the maximum diameter L3 of the filter element 2. Figure 1b reveals that the cross section of the filter element 2 in the present example is configured in the form of a hexagon with six corners and six edges. The expression "maximum diameter L3 of the filter element 2" is understood here to mean the diameter in the region of the corners. The maximum diameter L3 of the filter element 2 is in particular between 26 and 37 millimeters, preferably between 31 and 32 millimeters, in the region of the corners of the polygon. The minimum diameter of the filter element 2 in the region of the edges of the polygon is in particular between 23 and 35 millimeters and preferably between 28 and 30 millimeters. Alternatively, however, it would also be conceivable for the filter element 2 to have a circular cross section, for example with a diameter between 24 and 36 millimeters and preferably between 29 and 31 millimeters.

Preferably, the width of the sealing seam is 1.5 millimeters. During welding, the filter element 2 is connected to the capsule base 1.1. At the same time, however, the felt structure is also at least partially compressed and fixed preferably in the compressed state. Transverse flows in the felt structure are preferably at least limited in the region of the welding seam 7. The outside diameter of the filter element is furthermore preferably provided to be greater than the outside diameter of the flat portion of the filter base. Preferably, the outside diameter L4 of the flat portion of the capsule base is 84-94%, in this case 90%, of the diameter L3 of the filter element. Consequently, the filter element 2 projects into the region of the bead without touching the bottom of the bead. Furthermore preferably, the outside diameter L3 of the filter element is smaller than the diameter of the single-serve capsule in the region of the base. Preferably, the sealing seam is provided

concentrically to the clearance 1.6 in the capsule base.

Figure 2 illustrates a single-serve capsule 1 according to a second embodiment of the present invention. The single-serve capsule 1 according to the second embodiment corresponds
5 substantially to the single-serve capsule 1 according to the first embodiment (and therefore reference is made to figure 1a). The only difference is that the filter element 2 in the single-serve capsule 1 according to the second embodiment is produced from nonwoven and has a circular cross section. In addition, provision is now made according to the invention for the outside diameter of the sealing seam L2 to be 55-75%, preferably 60 to 70%, in this case 67%, of the
10 maximum diameter L3 of the filter element 2 and for the inside diameter L1 of the sealing seam to be 45-65%, particularly preferably 50 to 60%, in this case 58%, of the maximum diameter L3 of the filter element 2.

List of reference signs

- 1 Single-serve capsule
- 1.1 Base region
- 5 1.2 Side wall
- 1.3 Base region/side wall transition, bead
- 1.4 Flange
- 1.5 Protrusion on the flange, sealing face
- 1.6 Clearance
- 10 1.7 Space
- 2 Filter element, felt, nonwoven
- 3 Sealing tool
- 3.1 Sealing face
- 5 Transition region between the base 1.1 and the side wall 1.2
- 15 6 Counterholder
- 7 Sealing seam
- L1 Outside diameter of the sealing seam
- L2 Inside diameter of the sealing seam
- L3 Diameter of the filter element
- 20 L4 Diameter of the flat part of the base

CLAIMS:

1. A single-serve capsule for producing a beverage, having a side wall and a base which together define a space, wherein, within the space, a filter element is sealed to the base or to a carrier element by a substantially annular sealing seam, wherein the filter element comprises a nonwoven, wherein the outside diameter of the sealing seam is 55 to 75 percent of the diameter of the filter element.
5
2. The single-serve capsule as claimed in claim 1, wherein the outside diameter of the sealing seam is 60 to 70 percent of the diameter of the filter element.
- 10 3. The single-serve capsule as claimed in either of claims 1 and 2, wherein the inside diameter of the sealing seam is 45 to 65 percent of the diameter of the filter element.
4. The single-serve capsule as claimed in either of claims 1 and 2, wherein the inside diameter of the sealing seam is 50 to 60 percent of the diameter of the filter element.
15
5. The single-serve capsule as claimed in any one of claims 1 to 4, wherein the diameter of the filter element is between 24 and 36 millimeters.
6. The single-serve capsule as claimed in any one of claims 1 to 4, wherein the diameter of the filter element is between 29 and 31 millimeters.
- 20 7. A single-serve capsule for producing a beverage, having a side wall and a base which together define a space, wherein, within the space, a filter element is sealed to the base or to a carrier element by a substantially annular sealing seam, wherein the filter element comprises a felt, wherein the outside diameter of the sealing seam is 75 to 85 percent of the maximum diameter of the filter element.
25

8. The single-serve capsule as claimed in claim 7, wherein the outside diameter of the sealing seam is 80 ± 2 percent of the maximum diameter of the filter element.
9. The single-serve capsule as claimed in any one of claims 5 to 7, wherein the inside diameter of the sealing seam is 66 to 76 percent of the maximum diameter of the filter element.
10. The single-serve capsule as claimed in any one of claims 5 to 7, wherein the inside diameter of the sealing seam is 71 ± 2 percent of the maximum diameter of the filter element.
11. The single-serve capsule as claimed in any one of claims 5 to 8, wherein the filter element is configured in the form of a polygon and in particular of a hexagon.
12. The single-serve capsule as claimed in claim 9 or 10, wherein the maximum diameter of the filter element is between 26 and 37 millimeters in the region of the corners of the polygon, and wherein the minimum diameter of the filter element is between 23 and 35 millimeters in the region of the edges of the polygon.
13. The single-serve capsule as claimed in claim 12 wherein the maximum diameter of the filter element is between 31 and 32 millimeters in the region of the corners of the polygon.
14. The single-serve capsule as claimed in claim 12 or 13 wherein the minimum diameter of the filter element is between 28 and 30 millimeters in the region of the edges of the polygon.
15. The single-serve capsule as claimed in any one of claims 1 to 14, wherein the width of the sealing seam is 1 to 1.5 millimeters.

16. The single-serve capsule as claimed in claim 15 wherein the sealing seam is uninterrupted.
17. The single-serve capsule as claimed in any one of claims 1 to 16, wherein the base has a substantially flat portion, the outside diameter of which is 84 to 94 percent of the diameter of the filter element.
18. The single-serve capsule as claimed in any one of claims 1 to 17, wherein the base has a clearance which is large enough that, when the beverage flows out through the clearance, substantially no pressure drop occurs.
19. The single-serve capsule as claimed in any one of claims 1 to 18, wherein the diameter of the filter element is 1 to 5 percent smaller than the internal dimension of the single-serve capsule at the level of the base.
20. The single-serve capsule as claimed in any one of claims 1 to 19, wherein the filter element is formed in a multilayer manner.
21. The single-serve capsule as claimed in any one of claims 1 to 20, wherein the maximum diameter of the filter element is greater than the diameter of the base.
22. The single-serve capsule as claimed in any one of claims 1 to 21, wherein at least one side, facing the space, of the filter element comprising nonwoven or felt is calendered.
23. The single-serve capsule as claimed in any one of claims 1 to 21, wherein at least one side, facing the space, of the filter element comprising nonwoven or felt is spot calendered.
24. The single-serve capsule as claimed in any one of claims 1 to 23, wherein at least one side, facing away from the space, of the filter element comprising nonwoven or felt is heat-treated.

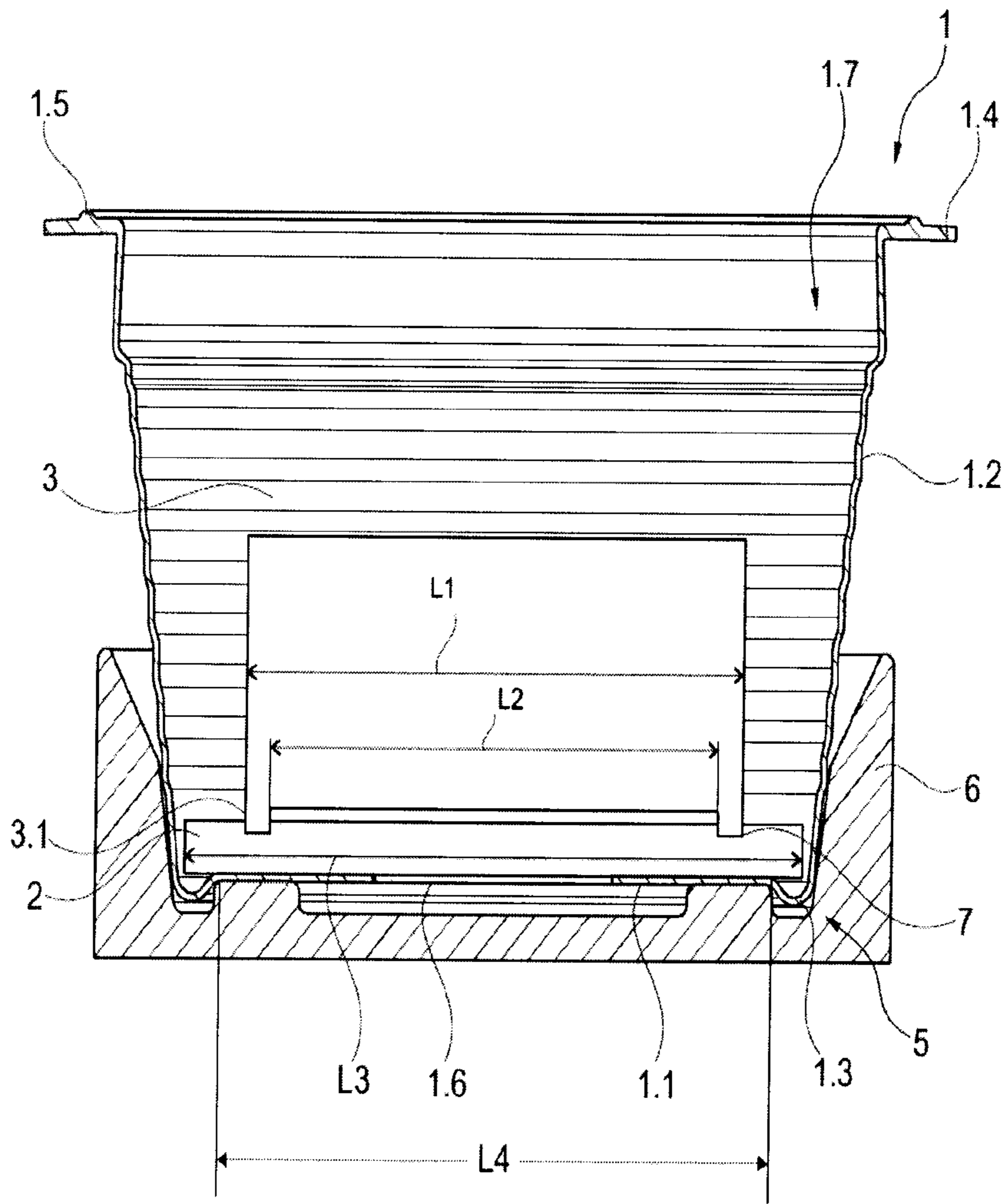


Fig. 1a

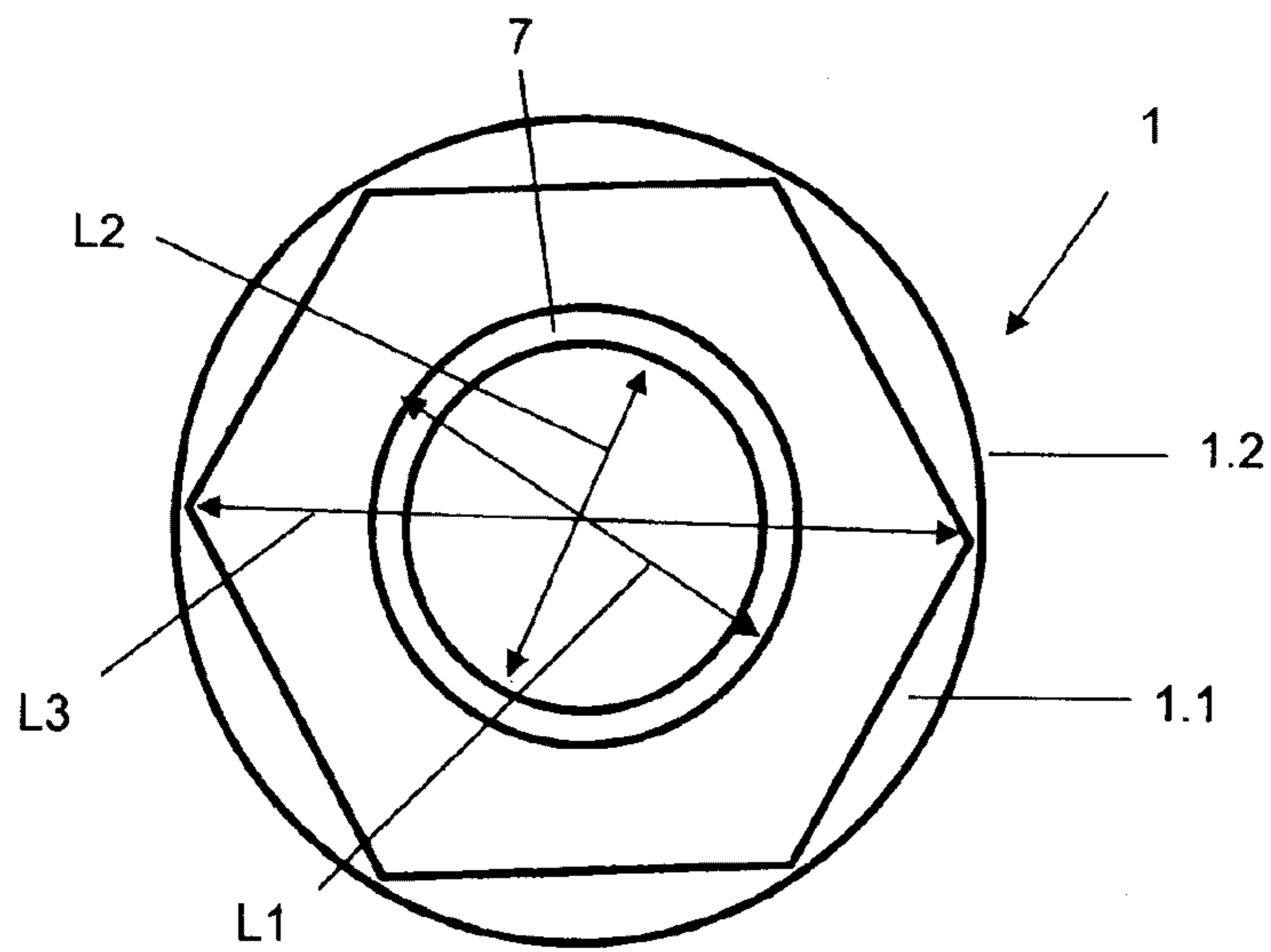


Fig. 1b

