



US00D410098S

**United States Patent** [19]  
**Chiu**

[11] **Patent Number: Des. 410,098**  
[45] **Date of Patent: \*\* May 18, 1999**

[54] **PENLIGHT**  
[75] Inventor: **Si Fu Chiu**, Tsuen Wan, The Hong Kong Special Administrative Region of the People's Republic of China  
[73] Assignee: **Lite Master Limited**, Hong Kong, The Hong Kong Special Administrative Region of the People's Republic of China  
[\*\*] Term: **14 Years**

[21] Appl. No.: **29/060,659**  
[22] Filed: **Oct. 3, 1996**  
[30] **Foreign Application Priority Data**  
Apr. 9, 1996 [GB] United Kingdom ..... 2055407  
[51] **LOC (6) Cl.** ..... **26-02**  
[52] **U.S. Cl.** ..... **D26/38**  
[58] **Field of Search** ..... D26/37-50; 362/103, 362/109, 118, 157, 158, 183-208; D19/35, 36, 41-51, 54-58, 81-85

[56] **References Cited**  
**U.S. PATENT DOCUMENTS**  
D. 345,991 4/1994 Tzong-Taur ..... D26/38  
D. 358,842 5/1995 Shiau ..... D26/38

D. 370,497 6/1996 Moore et al. .... D26/38  
D. 389,184 1/1998 Chiu ..... D26/38  
D. 389,364 1/1998 Wallarella et al. .... D26/38  
D. 392,999 3/1998 Varholik ..... D26/38

*Primary Examiner*—Marcus A. Jackson  
*Attorney, Agent, or Firm*—Miller, Sisson, Chapman & Nash, P.C.

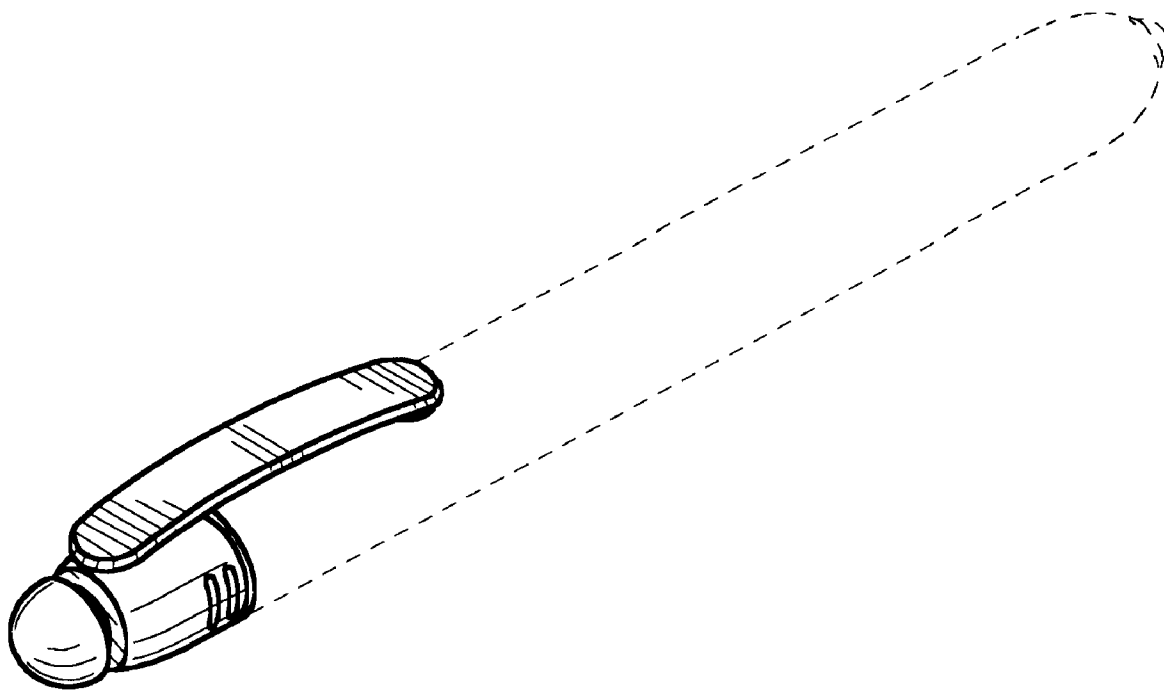
[57] **CLAIM**

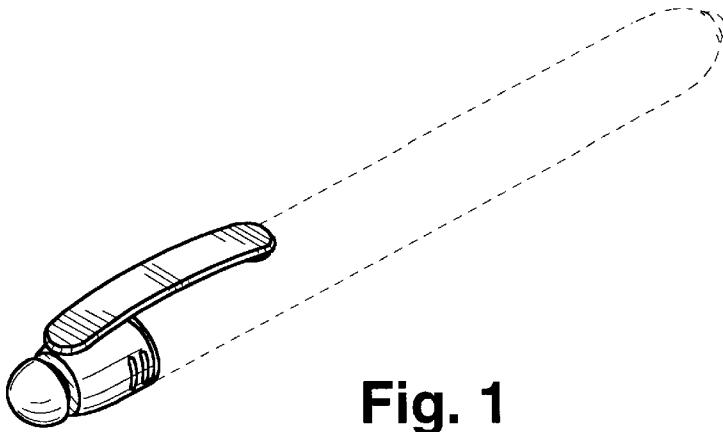
The ornamental design for a penlight, as shown and described.

**DESCRIPTION**

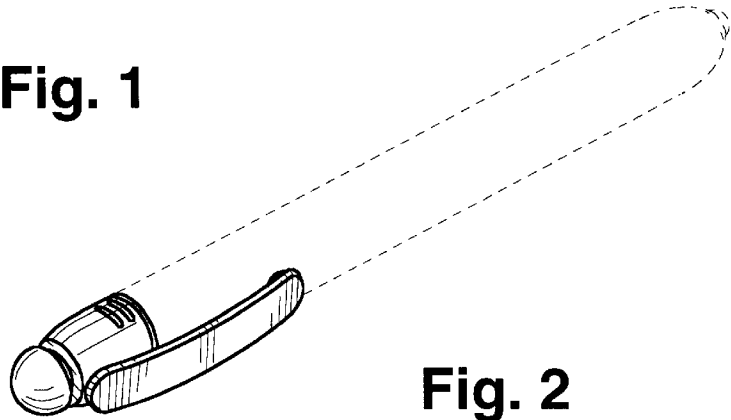
FIG. 1 is a top end, front and left side perspective view of a penlight showing my new design;  
FIG. 2 is a top end, front and right side perspective view thereof;  
FIG. 3 is an enlarged fragmentary top end, front and left side perspective view thereof;  
FIG. 4 is an enlarged fragmentary top end, front and right side perspective view thereof;  
FIG. 5 is a front elevational view thereof;  
FIG. 6 is a rear elevational view thereof;  
FIG. 7 is a left side elevational view thereof;  
FIG. 8 is a right side elevational view thereof;  
FIG. 9 is a top end elevational view thereof; and,  
FIG. 10 is a bottom end elevational view thereof.

**1 Claim, 2 Drawing Sheets**

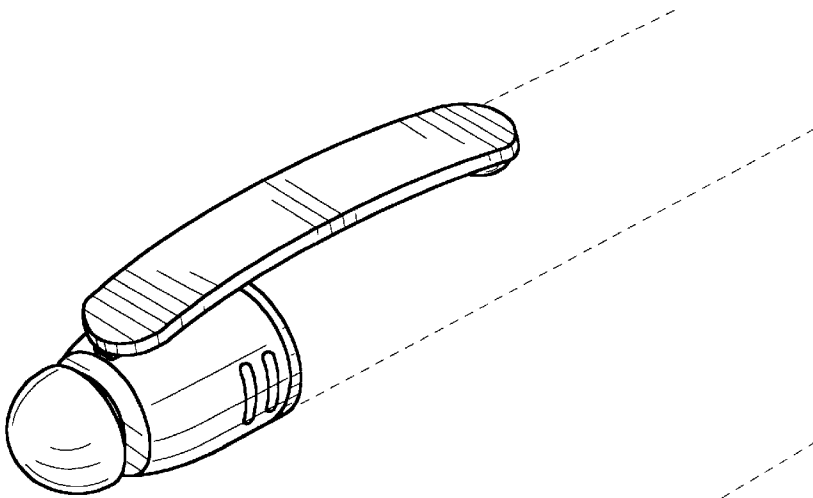




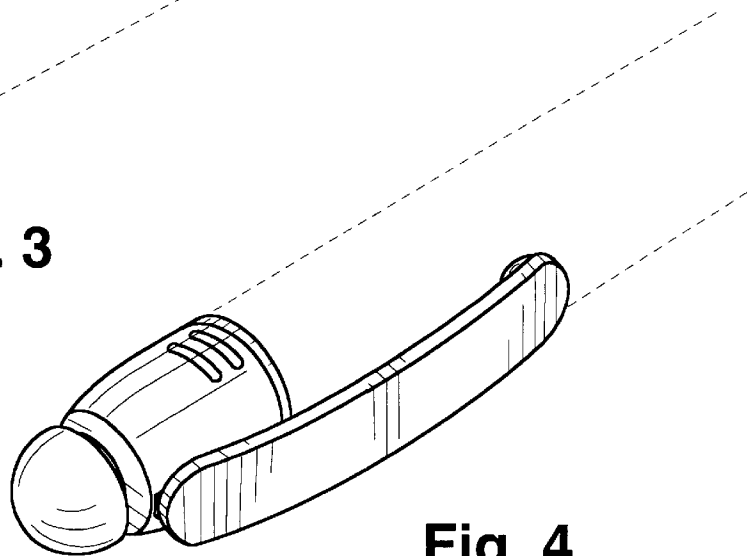
**Fig. 1**



**Fig. 2**



**Fig. 3**



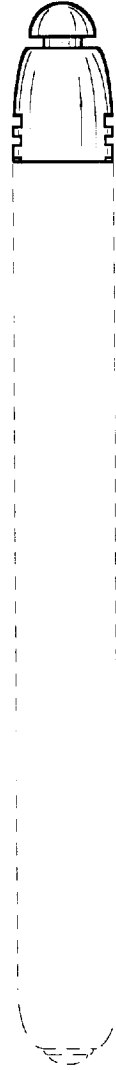
**Fig. 4**



**Fig. 5**



**Fig. 6**



**Fig. 7**



**Fig. 8**



**Fig. 9**



**Fig. 10**