

United States Patent [19]

Miller et al.

[11] Patent Number: Des. 311,332

[45] Date of Patent: ** Oct. 16, 1990

[54] **BOOK BLISTER PACKAGE**

[76] Inventors: **Ruth E. Miller; Jack V. Miller**, both of 700 N. Auburn Ave., Sierra Madre, Calif. 91024

[*] Notice: The portion of the term of this patent subsequent to Oct. 10, 2003 has been disclaimed.

[**] Term: **14 Years**

[21] Appl. No.: **81,035**

[22] Filed: **Apr. 27, 1987**

[52] U.S. Cl. **D9/415**

[58] Field of Search D9/415, 424, 432, 337, D9/420, 425; 206/232, 461-470, 424, 472, 44 R, 45.13

[56] **References Cited**

U.S. PATENT DOCUMENTS

D. 281,056 10/1985 de La Tour D9/337

1,890,988 12/1932 Harden 206/232
2,799,391 7/1957 Eisner 206/232
3,553,851 1/1971 Paige 206/232 X
4,353,461 10/1982 Liang 206/461 X
4,566,590 1/1986 Manning et al. 206/232
4,752,003 4/1987 Miller et al. 206/470 X

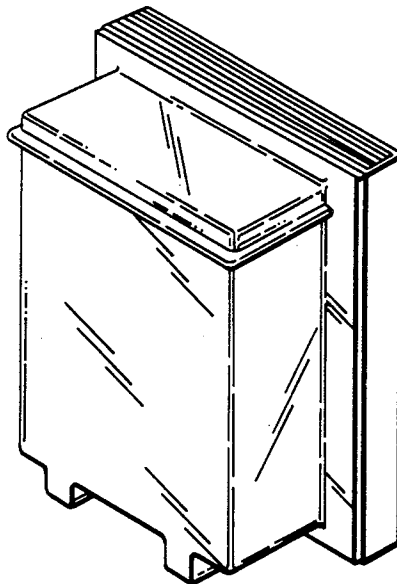
Primary Examiner—Bernard Ansher
Assistant Examiner—Prabhakar Deshmukh

[57] **CLAIM**

The ornamental design for a book blister package, as shown and described.

DESCRIPTION

FIG. 1 is a perspective view of a book blister package showing our new design;
FIG. 2 is a right side elevation thereof;
FIG. 3 is a front elevation view thereof;
FIG. 4 is a rear side elevation view thereof;
FIG. 5 is a top plan view thereof;
FIG. 6 is a bottom plan view thereof; and
FIG. 7 is a left side elevation thereof.



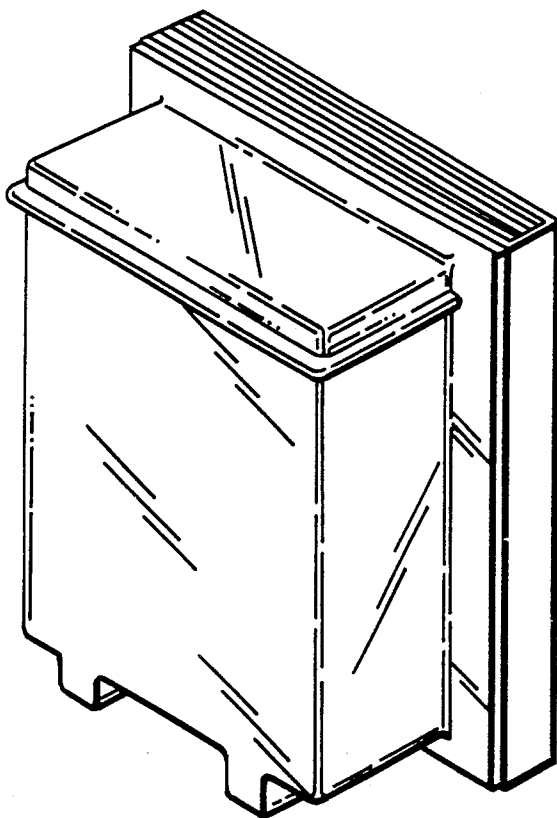


Fig. 1

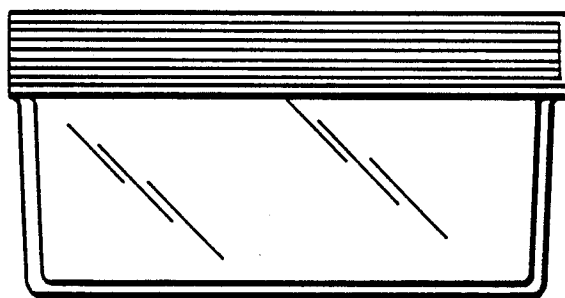


Fig. 5

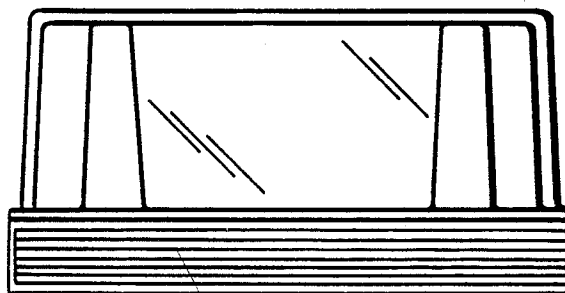


Fig. 6

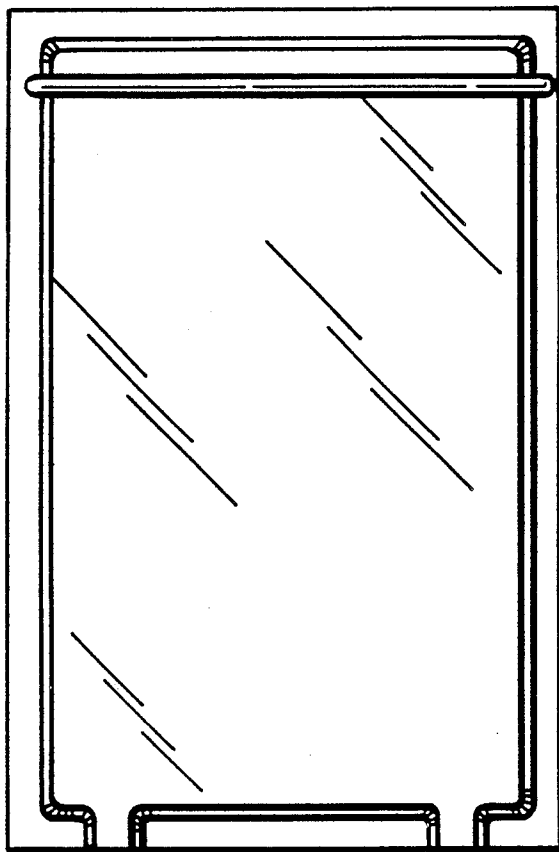


Fig. 4

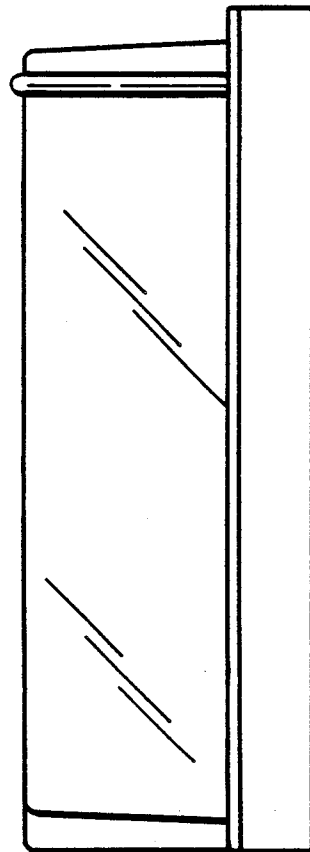


Fig. 2

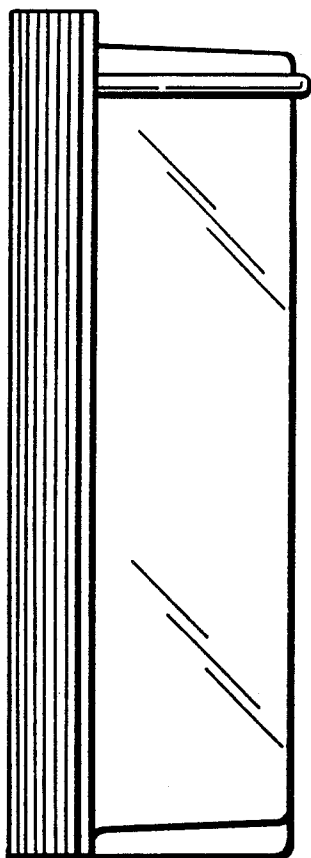


Fig. 7

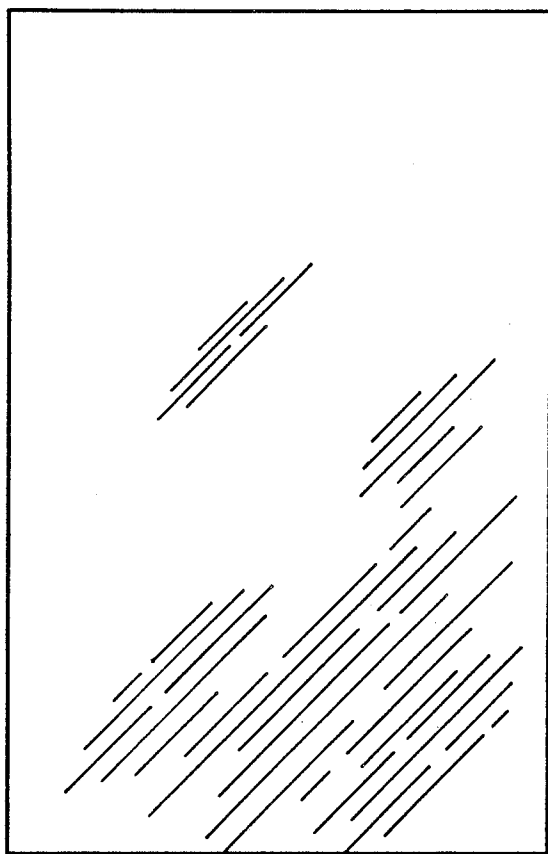


Fig. 3