

(19) World Intellectual Property Organization
International Bureau



(43) International Publication Date
20 October 2005 (20.10.2005)

PCT

(10) International Publication Number
WO 2005/098655 A3

- (51) International Patent Classification:
G06F 17/30 (2006.01)
- (21) International Application Number:
PCT/US2005/005199
- (22) International Filing Date:
17 February 2005 (17.02.2005)
- (25) Filing Language: English
- (26) Publication Language: English
- (30) Priority Data:
60/546,428 21 February 2004 (21.02.2004) US
- (71) Applicant (for all designated States except US): **DATAL-LEGRO, INC.** [US/US]; 65 Enterprise, Aliso Viejo, CA 92656 (US).
- (72) Inventor; and
- (75) Inventor/Applicant (for US only): **FROST, Stuart** [GB/US]; 30 High Bluff, Laguna Niguel, CA 92656 (US).
- (74) Agent: **MICKELSEN, Andrew, D.**; McDermott Will & Emery LLP, 18191 Von Karman, Suite 400, Irvine, CA 92612 (US).
- (81) Designated States (unless otherwise indicated, for every kind of national protection available): AE, AG, AL, AM,

AT, AU, AZ, BA, BB, BG, BR, BW, BY, BZ, CA, CH, CN, CO, CR, CU, CZ, DE, DK, DM, DZ, EC, EE, EG, ES, FI, GB, GD, GE, GH, GM, HR, HU, ID, IL, IN, IS, JP, KE, KG, KP, KR, KZ, LC, LK, LR, LS, LT, LU, LV, MA, MD, MG, MK, MN, MW, MX, MZ, NA, NI, NO, NZ, OM, PG, PH, PL, PT, RO, RU, SC, SD, SE, SG, SK, SL, SM, SY, TJ, TM, TN, TR, TT, TZ, UA, UG, US, UZ, VC, VN, YU, ZA, ZM, ZW.

(84) Designated States (unless otherwise indicated, for every kind of regional protection available): ARIPO (BW, GH, GM, KE, LS, MW, MZ, NA, SD, SL, SZ, TZ, UG, ZM, ZW), Eurasian (AM, AZ, BY, KG, KZ, MD, RU, TJ, TM), European (AT, BE, BG, CH, CY, CZ, DE, DK, EE, ES, FI, FR, GB, GR, HU, IE, IS, IT, LT, LU, MC, NL, PL, PT, RO, SE, SI, SK, TR), OAPI (BF, BJ, CF, CG, CI, CM, GA, GN, GQ, GW, ML, MR, NE, SN, TD, TG).

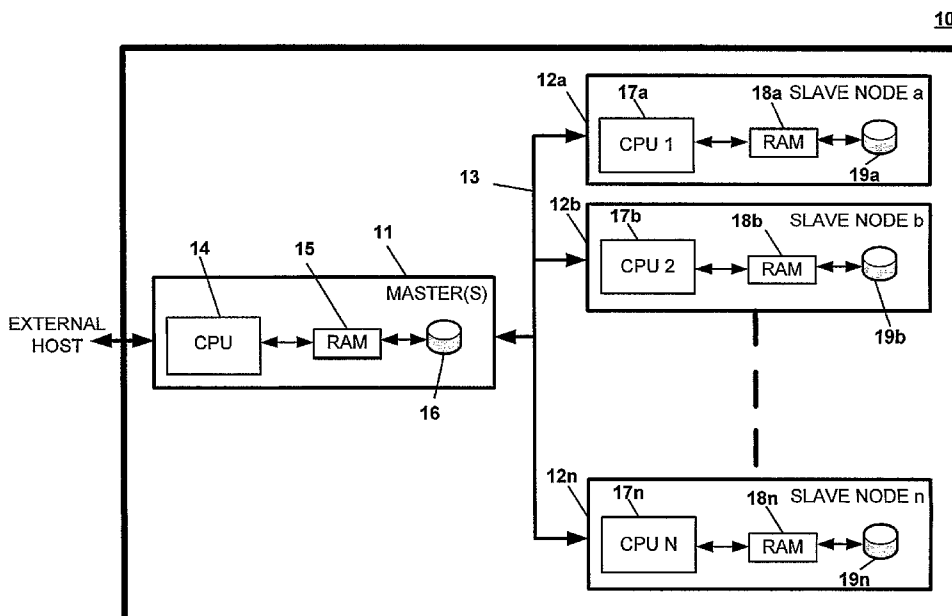
Published:
— with international search report
— before the expiration of the time limit for amending the claims and to be republished in the event of receipt of amendments

(88) Date of publication of the international search report:
27 September 2007

For two-letter codes and other abbreviations, refer to the "Guidance Notes on Codes and Abbreviations" appearing at the beginning of each regular issue of the PCT Gazette.

(54) Title: ULTRA-SHARED-NOTHING PARALLEL DATABASE

WO 2005/098655 A3



(57) Abstract: An ultra-shared-nothing parallel database system includes at least one master node and multiple slave nodes. A database consisting of at least one fact table and multiple dimension tables is partitioned and distributed across the slave nodes of the database system so that queries are processed in parallel without requiring the transfer of data between the slave nodes. The fact table and the first dimension table of the database are partitioned across the slave nodes. The other dimension tables of the database are duplicated on each of the slave nodes and at least one of these other dimension tables is partitioned across the slave nodes (Figure 1).

INTERNATIONAL SEARCH REPORT

International application No.

PCT/US05/05199

A. CLASSIFICATION OF SUBJECT MATTER
 IPC: **IPC(7) G06F 17/30**

 USPC:
 According to International Patent Classification (IPC) or to both national classification and IPC

B. FIELDS SEARCHED
 Minimum documentation searched (classification system followed by classification symbols)
 U.S. : 707/1-10, 100-104.1, 200-206; 709/217-219.

Documentation searched other than minimum documentation to the extent that such documents are included in the fields searched
 WEST (US PG PUB, US PT, EPO, JPO, DERWENT AND IBM TDB).

Electronic data base consulted during the international search (name of data base and, where practicable, search terms used)
 ACM

C. DOCUMENTS CONSIDERED TO BE RELEVANT

| Category * | Citation of document, with indication, where appropriate, of the relevant passages | Relevant to claim No. |
|---------------|---|---------------------------------|
| X --- Y | US 5,909,681 A (Passera et al) 1 June 1999 (1.06.1999), column 1, line 10 to column 4, line 36; column 5, line 50 to column 14, 26; and figures 1, 2 and 14-20. | 1 & 16 ----- 2-15 & 17-29 |
| Y | US 5,590,284 A (Crosetto) 31 December 1996 (31.12.1996), column 1, line 19 to column 4, line 43; column 5, line 15 to column 12, line 10; and all Figures. | 1-29 |
| Y | US 5,864,857 A (Ohara et al) 26 January 1999 (26.01.1999), column 1, line 55 to column 4, line 37; column 5, line 20 to column 20, line 14, and all Figures. | 1-29 |

Further documents are listed in the continuation of Box C. See patent family annex.

| Special categories of cited documents: | | |
|---|-----|--|
| "A" document defining the general state of the art which is not considered to be of particular relevance | "T" | later document published after the international filing date or priority date and not in conflict with the application but cited to understand the principle or theory underlying the invention |
| "E" earlier application or patent published on or after the international filing date | "X" | document of particular relevance; the claimed invention cannot be considered novel or cannot be considered to involve an inventive step when the document is taken alone |
| "L" document which may throw doubts on priority claim(s) or which is cited to establish the publication date of another citation or other special reason (as specified) | "Y" | document of particular relevance; the claimed invention cannot be considered to involve an inventive step when the document is combined with one or more other such documents, such combination being obvious to a person skilled in the art |
| "O" document referring to an oral disclosure, use, exhibition or other means | | |
| "P" document published prior to the international filing date but later than the priority date claimed | "&" | document member of the same patent family |

Date of the actual completion of the international search
 13 October 2006 (13.10.2006)

Date of mailing of the international search report
25 JUL 2007

Name and mailing address of the ISA/US
 Mail Stop PCT, Attn: ISA/US
 Commissioner for Patents
 P.O. Box 1450
 Alexandria, Virginia 22313-1450
 Facsimile No. (571) 273-3201

Authorized officer
 JOHN E. BREENE
 Telephone No. 571-272-9000