



US00D840653S

(12) **United States Design Patent**
Carmi et al.

(10) **Patent No.:** **US D840,653 S**

(45) **Date of Patent:** **** Feb. 19, 2019**

(54) **SHOE INSERT**

(71) Applicants: **Itamar Carmi**, Teaneck, NJ (US);
Rachel Carmi, Teaneck, NJ (US)

(72) Inventors: **Itamar Carmi**, Teaneck, NJ (US);
Rachel Carmi, Teaneck, NJ (US)

(**) Term: **15 Years**

(21) Appl. No.: **29/592,875**

(22) Filed: **Feb. 3, 2017**

(51) **LOC (11) Cl.** **02-04**

(52) **U.S. Cl.**
USPC **D2/961**

(58) **Field of Classification Search**
USPC D2/896, 961, 968, 946, 947, 950, 951,
D2/953, 954, 955, 960; D24/124, 126,
36/43, 44
CPC A43B 19/00; A43B 19/005; A43B 17/14;
A43B 17/02; A43B 17/03; A43B 17/00;
A43B 17/18; A43B 17/006; A43B 13/14;
A43B 13/00; A43B 13/42; A43B 7/149;
A43B 7/14; A43B 9/125
See application file for complete search history.

(56) **References Cited**

U.S. PATENT DOCUMENTS

892,360 A *	6/1908	Burns	A43B 3/0005	36/43
1,086,925 A *	2/1914	Luffler	A43B 7/06	36/3 R
D120,317 S *	4/1940	Reeves	D2/957	
D127,273 S *	5/1941	Hubbard	36/32 R	

D204,596 S *	5/1966	Anson	36/43
D273,246 S *	4/1984	Tonkel	D2/956
D285,022 S *	8/1986	Schorstein	D2/916
D287,902 S *	1/1987	Forsyth	D2/961
D288,383 S *	2/1987	Autry	D2/961
D300,686 S *	4/1989	Peterson	D2/961
D350,432 S *	9/1994	Saez	D2/961
D374,761 S *	10/1996	Sell, Jr.	D2/961
D388,947 S *	1/1998	Sessa	D2/961
D416,671 S *	11/1999	Tsuzuki	D2/947
D505,537 S *	5/2005	Friedman	D2/961
D551,835 S *	10/2007	Hung	D2/961
D640,047 S *	6/2011	Claassen	D2/960
D701,380 S *	3/2014	Reed	D2/951

* cited by examiner

Primary Examiner — Elizabeth J Oswecki
(74) *Attorney, Agent, or Firm* — Michael J. Feigin, Esq.;
Feigin & Fridman LLC

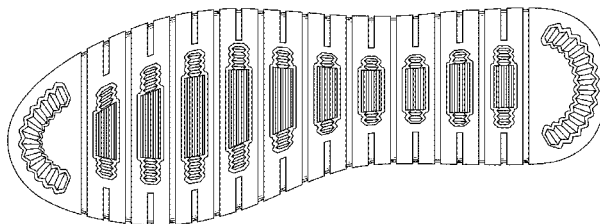
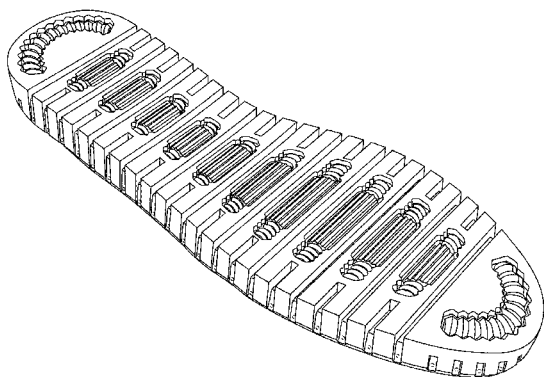
(57) **CLAIM**

The ornamental design for a shoe insert, as shown and described.

DESCRIPTION

FIG. 1 is a bottom, side perspective view of a shoe insert showing my new design;
FIG. 2 is a bottom plan view thereof;
FIG. 3 is a top plan view thereof;
FIG. 4 is a side elevation view thereof;
FIG. 5 is a reverse side elevation view thereof;
FIG. 6 is a front side elevation view thereof; and,
FIG. 7 is a rear side elevation view thereof.
The broken lines shown in the drawings form no part of the claimed design.

1 Claim, 5 Drawing Sheets



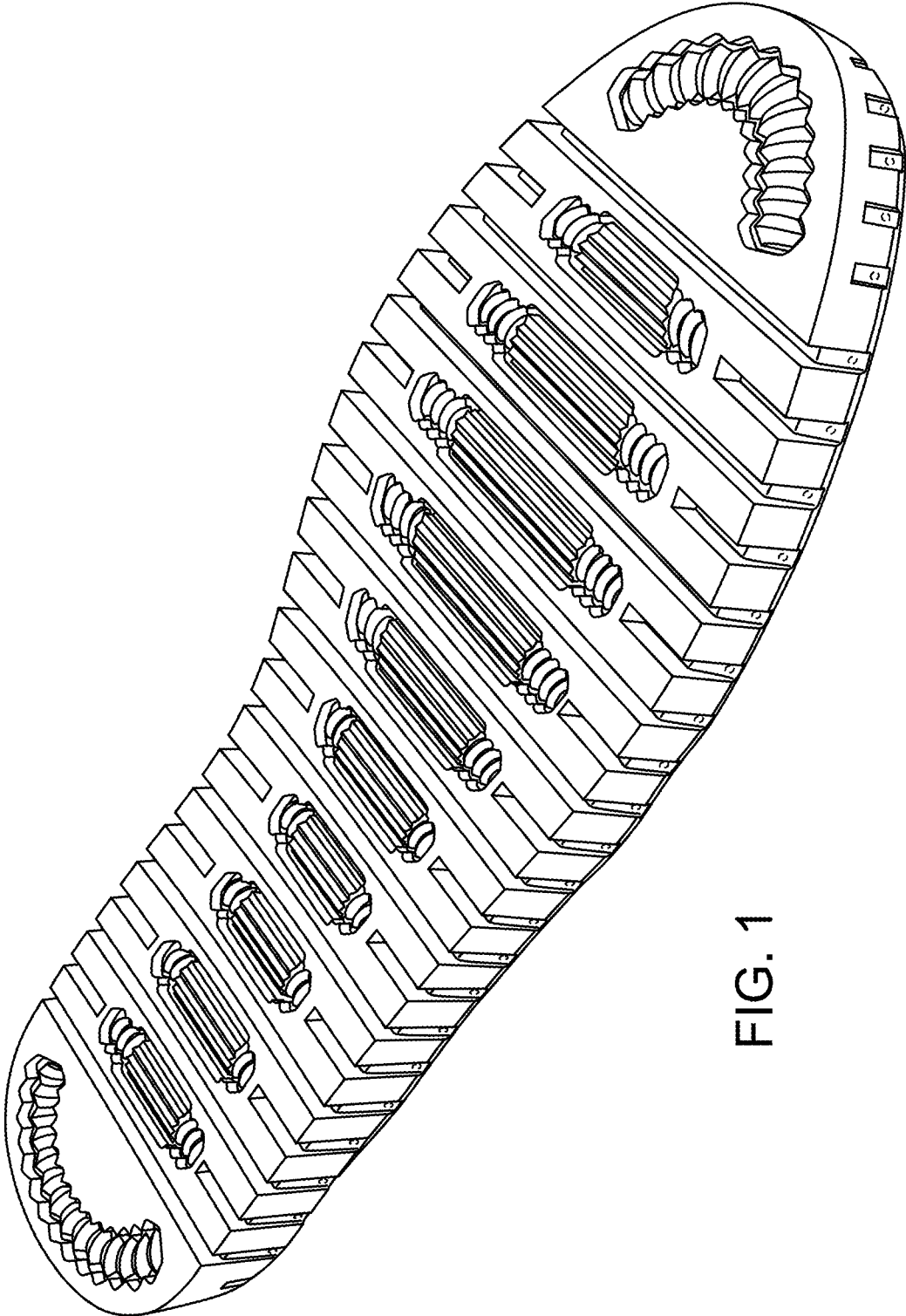


FIG. 1

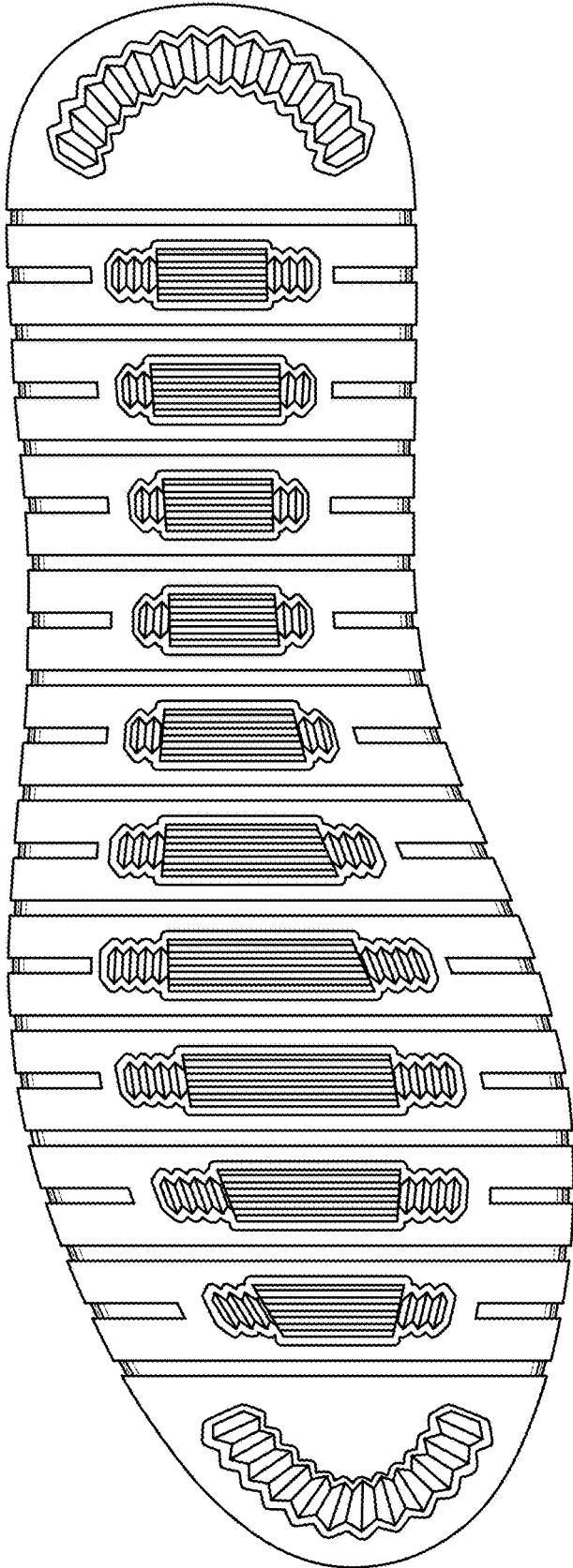


FIG. 2

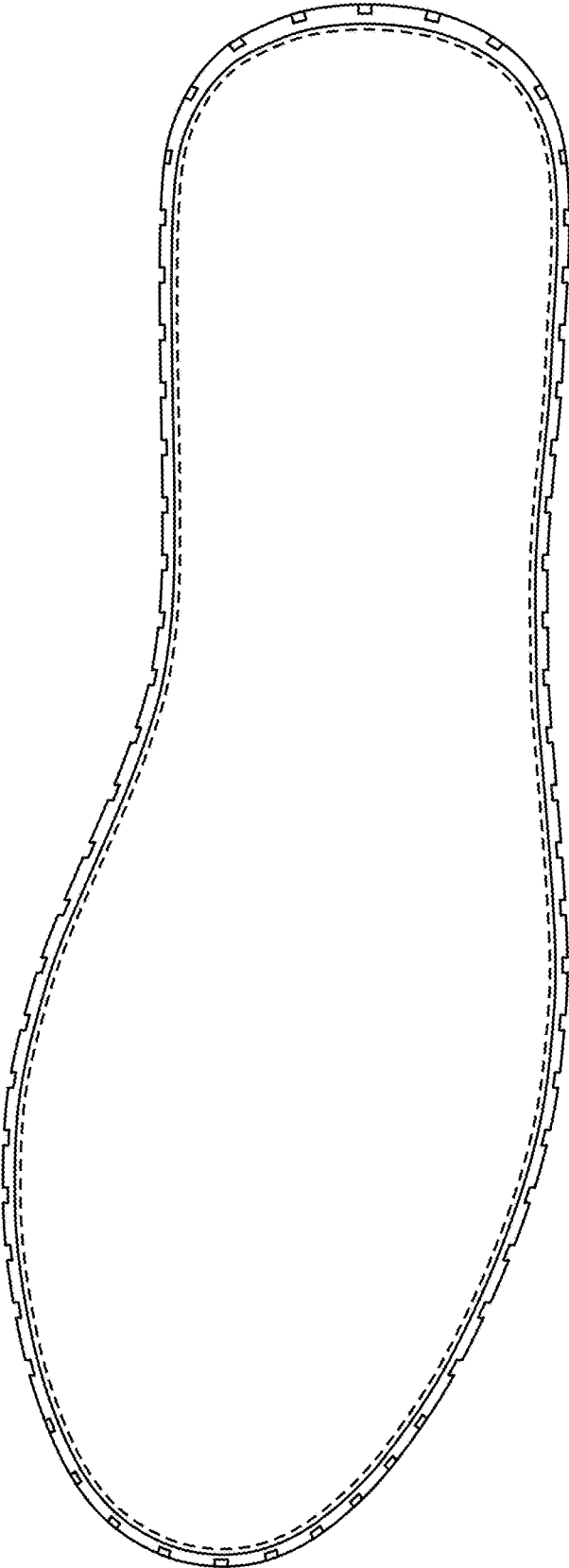


FIG. 3

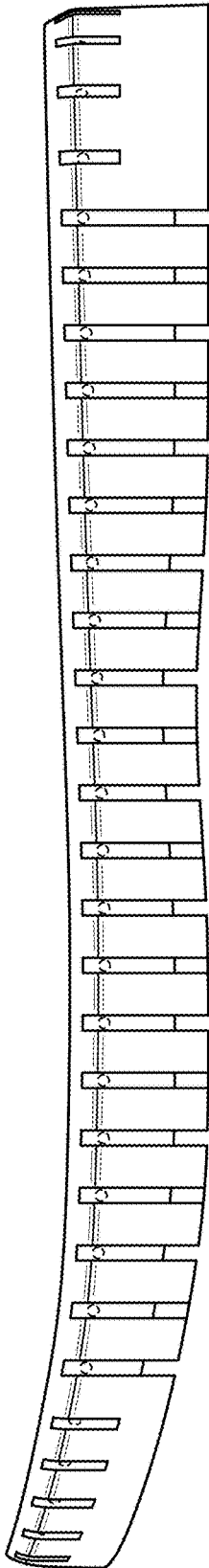


FIG. 4

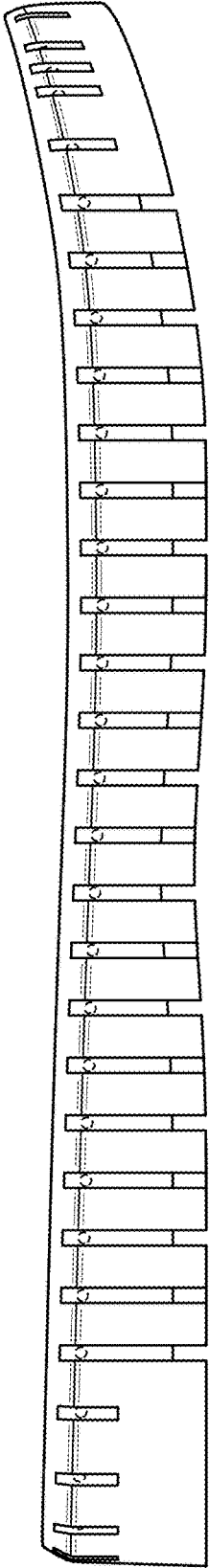


FIG. 5

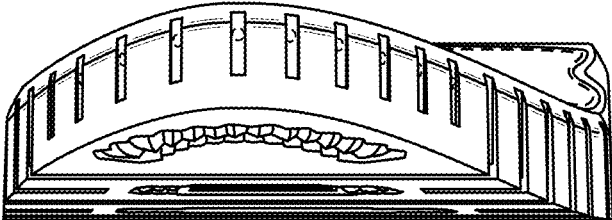


FIG. 6

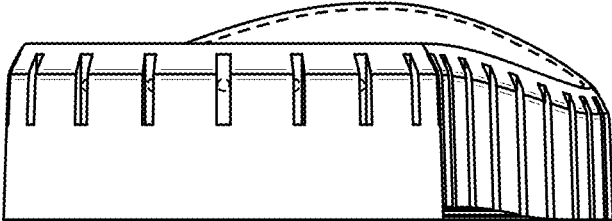


FIG. 7