



US00D749064S

(12) **United States Design Patent**
Bhattacharya et al.

(10) **Patent No.:** **US D749,064 S**

(45) **Date of Patent:** **** Feb. 9, 2016**

(54) **ROUTER**

(71) Applicant: **Vivint, Inc.**, Provo, UT (US)

(72) Inventors: **Abhijeet Bhattacharya**, Draper, UT (US); **Stephen Edward Boynton**, Spanish Fork, UT (US); **Venkat Kalkunte**, Saratoga, CA (US)

(73) Assignee: **VIVINT, INC.**, Provo, UT (US)

(**) Term: **14 Years**

(21) Appl. No.: **29/496,628**

(22) Filed: **Jul. 15, 2014**

(51) **LOC (10) Cl.** **14-03**

(52) **U.S. Cl.**

USPC **D14/240**

(58) **Field of Classification Search**

USPC D14/240, 242, 357, 358, 140-140.9,
D14/155, 137, 139, 243, 433

CPC H04L 12/00; H03K 17/00; H04W 88/00;
H04W 88/005; H04W 88/02; H04W 88/08;
H04W 88/085; H04W 88/10; H04W 88/12;
H04W 88/14; H04B 1/38

See application file for complete search history.

(56) **References Cited**

U.S. PATENT DOCUMENTS

D339,115 S *	9/1993	Eilertsen	D14/242
D354,500 S *	1/1995	Georgopoulos	D14/242
6,137,694 A *	10/2000	Kerrigan et al.	361/818
D491,166 S *	6/2004	Hakoda	D14/214
D513,253 S *	12/2005	Kawasaki	D14/363
D538,273 S *	3/2007	Liu	D14/240
D565,571 S *	4/2008	Trifilio et al.	D14/434
D576,621 S *	9/2008	Tanaka	D14/358
D580,933 S *	11/2008	Ju et al.	D14/358

D616,425 S *	5/2010	Hsia	D14/240
D650,782 S *	12/2011	Hogan	D14/358
D671,100 S *	11/2012	Huang	D14/242
D687,023 S *	7/2013	Jung et al.	D14/242

* cited by examiner

Primary Examiner — Bridget L Eland

(74) *Attorney, Agent, or Firm* — Holland & Hart

(57) **CLAIM**

The ornamental design for a “router,” as shown and described.

DESCRIPTION

FIG. 1 is a top perspective view of a first embodiment of a router according to the present invention;

FIG. 2 is a rear perspective view thereof;

FIG. 3 is a front view thereof;

FIG. 4 is a right side view thereof;

FIG. 5 is a left side view thereof;

FIG. 6 is a top view thereof;

FIG. 7 is a bottom view thereof;

FIG. 8 is a rear view thereof;

FIG. 9 is a top perspective view of a second embodiment of a router according to the present invention;

FIG. 10 is a rear perspective view thereof;

FIG. 11 is a front view thereof;

FIG. 12 is a right side view thereof;

FIG. 13 is a left side view thereof;

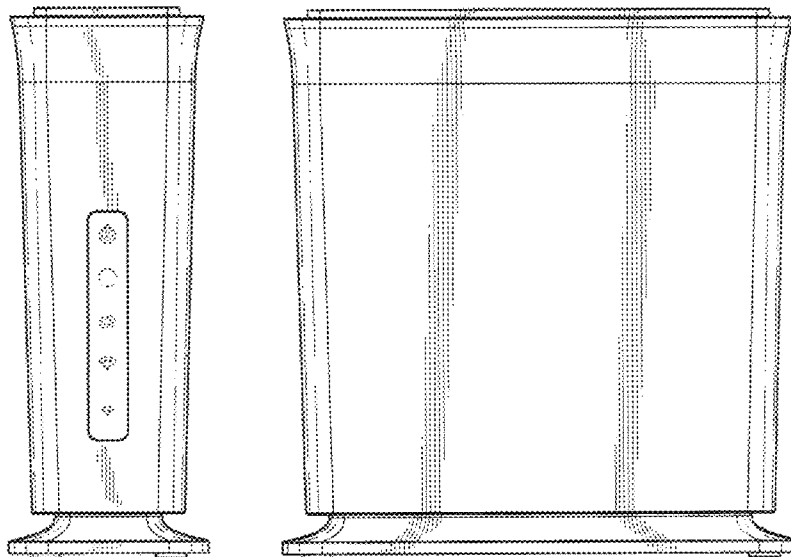
FIG. 14 is a top view thereof;

FIG. 15 is a bottom view thereof; and,

FIG. 16 is a rear view thereof.

The broken lines immediately adjacent the shaded areas represent the bounds of the claimed design while all other broken lines are directed to environment; the broken lines form no part of the claimed design.

1 Claim, 8 Drawing Sheets



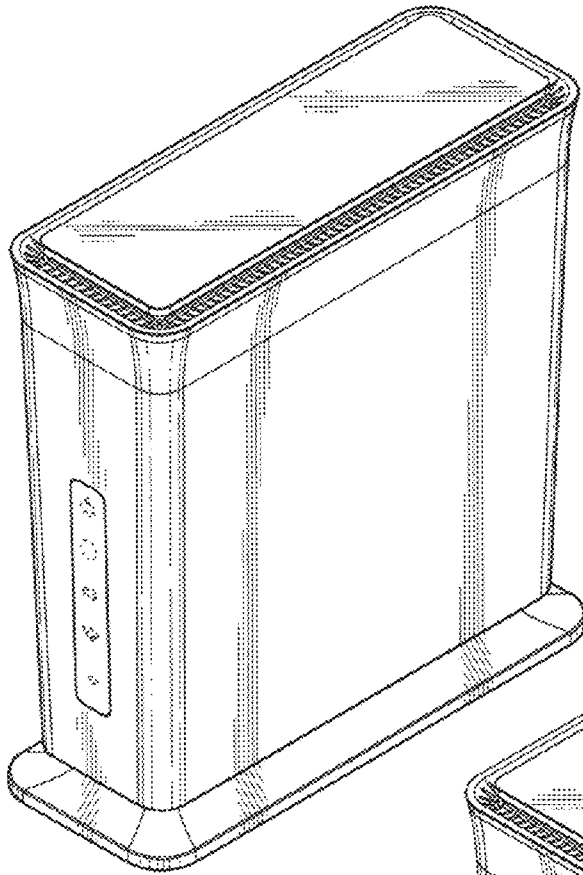


FIG. 1

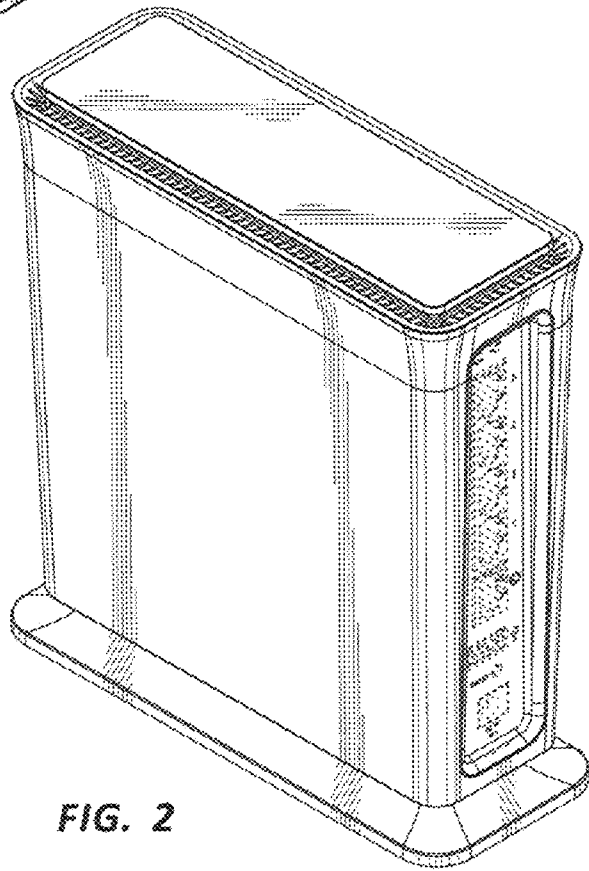


FIG. 2

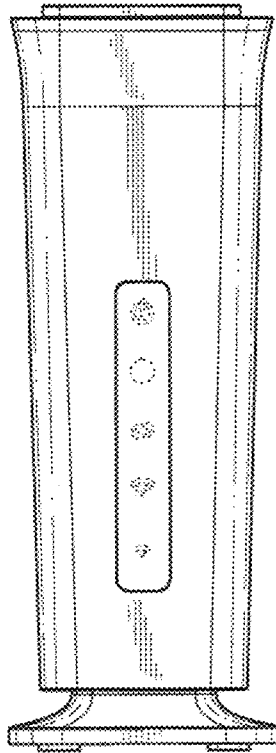


FIG. 3

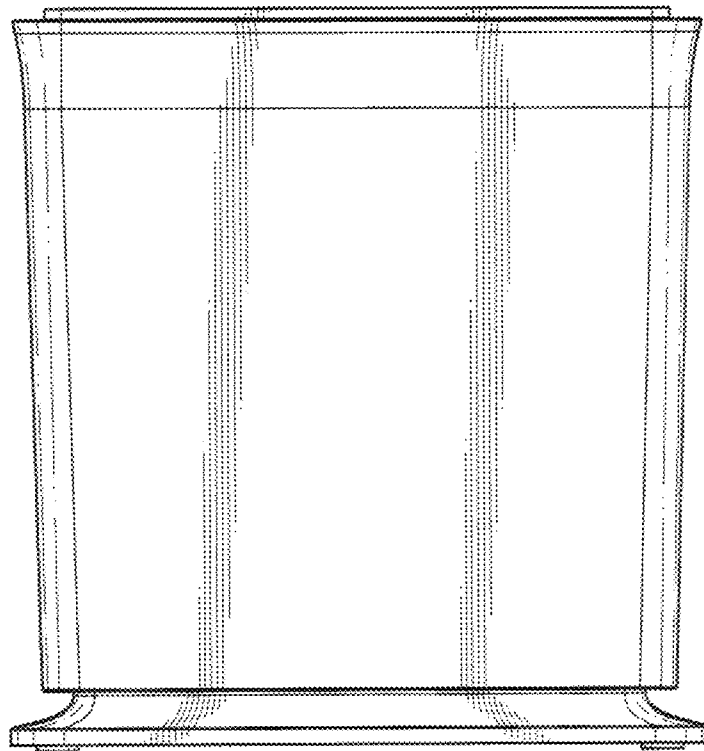


FIG. 4

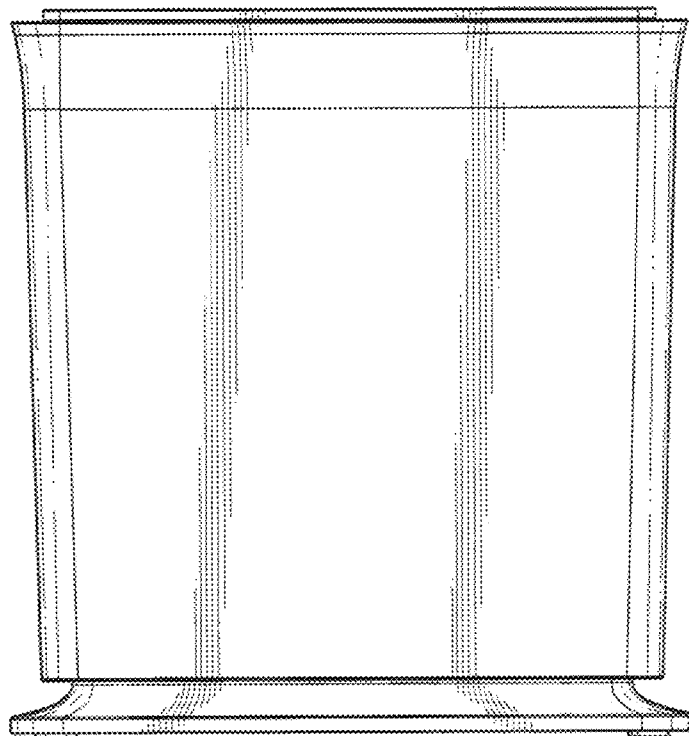


FIG. 5

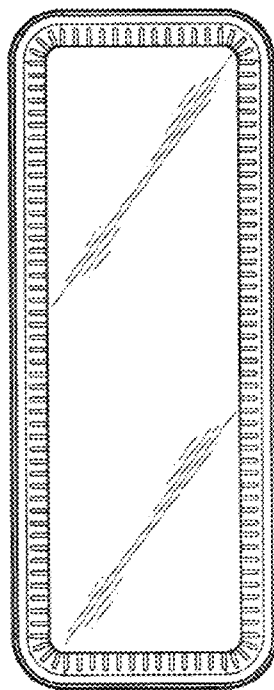


FIG. 6

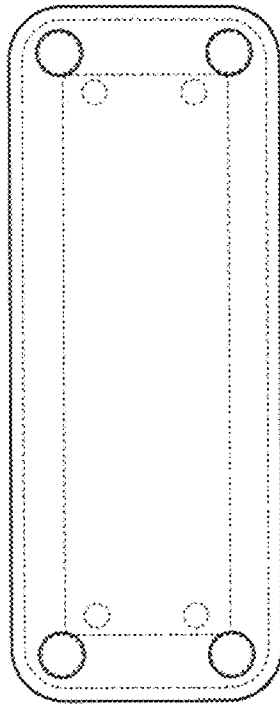


FIG. 7

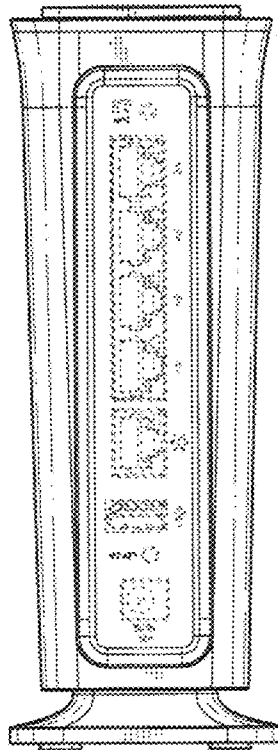


FIG. 8

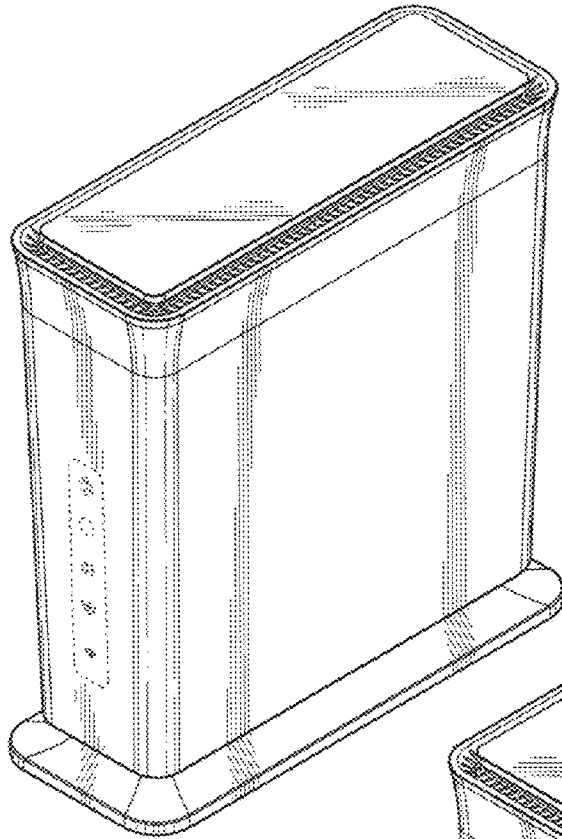


FIG. 9

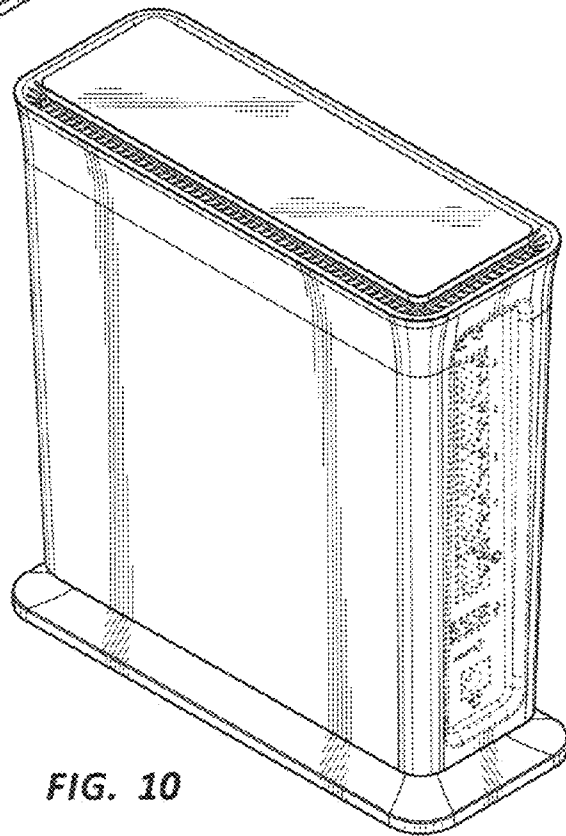


FIG. 10

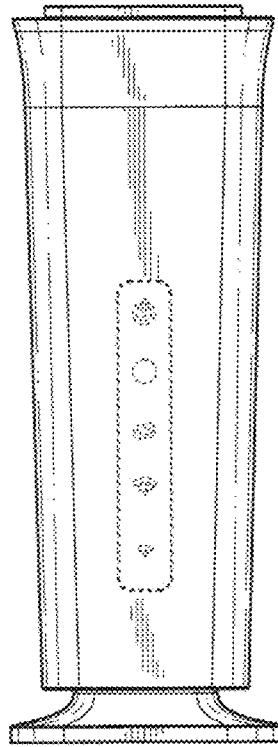


FIG. 11

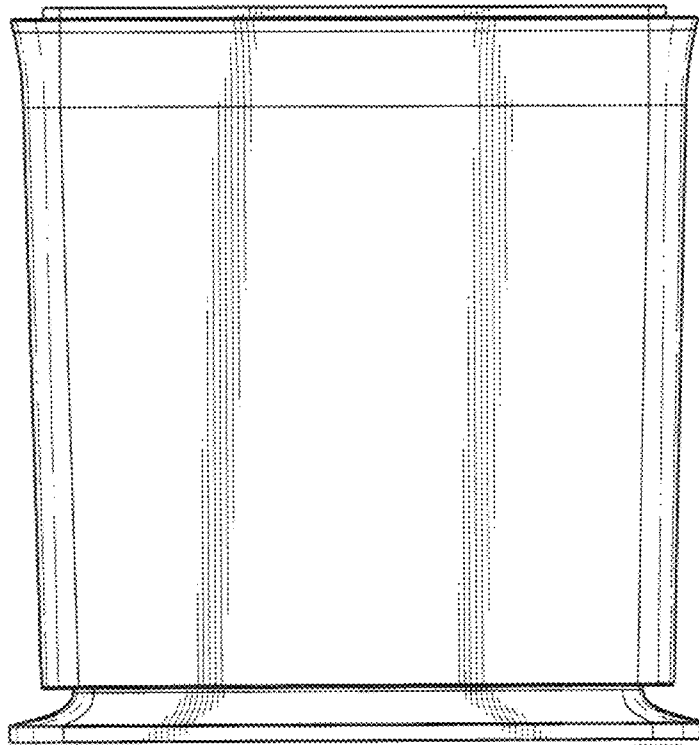


FIG. 12

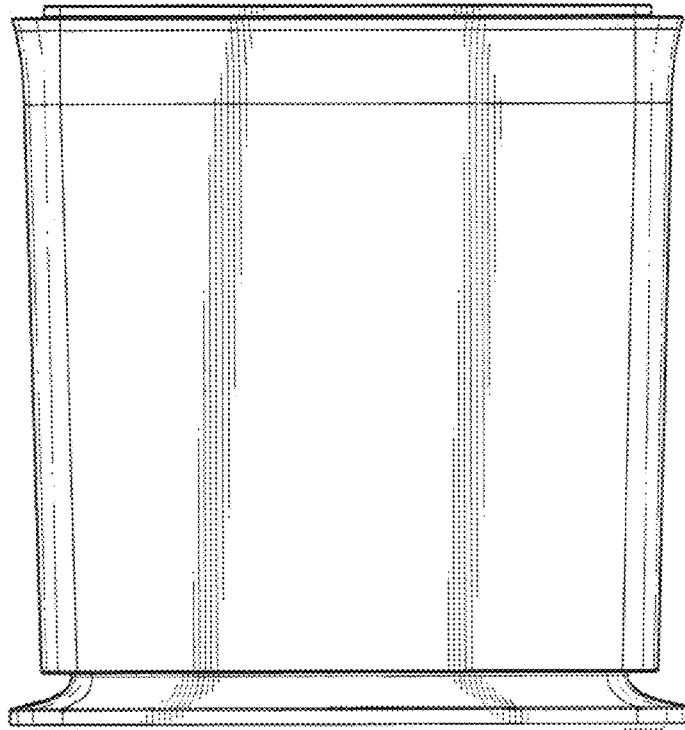


FIG. 13

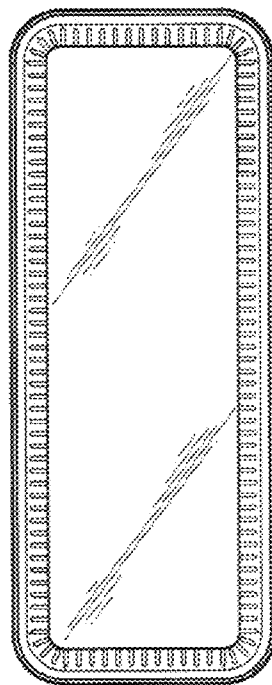


FIG. 14

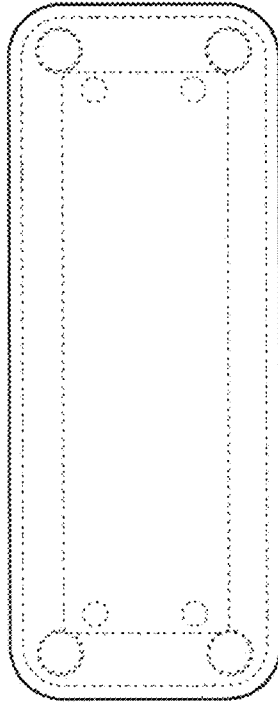


FIG. 15

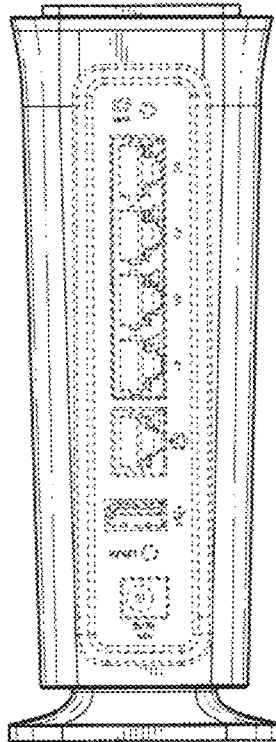


FIG. 16