

CORRECTED VERSION

(19) World Intellectual Property Organization International Bureau



(10) International Publication Number WO 2014/199112 A8

(43) International Publication Date 18 December 2014 (18.12.2014)

- (51) International Patent Classification: E04H 12/22 (2006.01) E04H 17/22 (2006.01)
(21) International Application Number: PCT/GB2014/000225
(22) International Filing Date: 12 June 2014 (12.06.2014)
(25) Filing Language: English
(26) Publication Language: English
(30) Priority Data: 1310621.6 14 June 2013 (14.06.2013) GB
(71) Applicant: STEADYPOST LIMITED [GB/GB]; 24 Gosport Business Centre, Frater Gate, Gosport, Hampshire PO13 0FQ (GB).
(72) Inventors: GIBBS, John, Robert; 14 Atherley Court, Hill Lane, Southampton, Hampshire SO15 7NG (GB). GIBBS,

Andrew, John; 83 Pevensey Road, Bognor Regis, Sussex PO21 5NZ (GB).

- (81) Designated States (unless otherwise indicated, for every kind of national protection available): AE, AG, AL, AM, AO, AT, AU, AZ, BA, BB, BG, BH, BN, BR, BW, BY, BZ, CA, CH, CL, CN, CO, CR, CU, CZ, DE, DK, DM, DO, DZ, EC, EE, EG, ES, FI, GB, GD, GE, GH, GM, GT, HN, HR, HU, ID, IL, IN, IR, IS, JP, KE, KG, KN, KP, KR, KZ, LA, LC, LK, LR, LS, LT, LU, LY, MA, MD, ME, MG, MK, MN, MW, MX, MY, MZ, NA, NG, NI, NO, NZ, OM, PA, PE, PG, PH, PL, PT, QA, RO, RS, RU, RW, SA, SC, SD, SE, SG, SK, SL, SM, ST, SV, SY, TH, TJ, TM, TN, TR, TT, TZ, UA, UG, US, UZ, VC, VN, ZA, ZM, ZW.
(84) Designated States (unless otherwise indicated, for every kind of regional protection available): ARIPO (BW, GH, GM, KE, LR, LS, MW, MZ, NA, RW, SD, SL, SZ, TZ, UG, ZM, ZW), Eurasian (AM, AZ, BY, KG, KZ, RU, TJ, TM), European (AL, AT, BE, BG, CH, CY, CZ, DE, DK,

[Continued on next page]

(54) Title: POST SUPPORT DEVICE

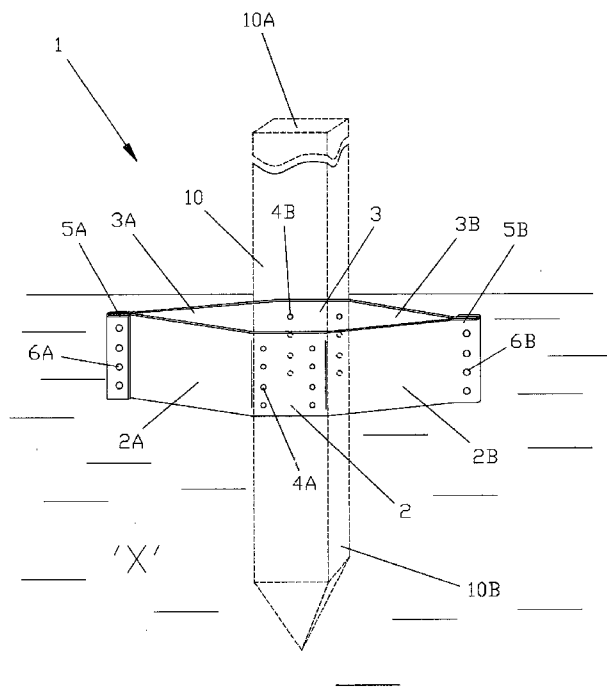


Figure 1

(57) Abstract: The present invention relates to a post support device (1) for a (post 10) adapted to be inserted substantially vertical in the ground. The post (10) has a top end (10A) and a bottom end (10B). The support device comprises a support member (2,3) adapted to engage the post below ground level at a point remote from the post bottom end, and at least two pairs of fins (2A,2B 3A,3B) each pair of which extend from and form a triangulated structure with the support member and/or post. In use, with the post with the support device inserted substantially vertical in the ground, the fins providing lateral resistance against the material in the ground to prevent the post from displacing the soil and tilting towards the horizontal.



WO 2014/199112 A8



EE, ES, FI, FR, GB, GR, HR, HU, IE, IS, IT, LT, LU,
LV, MC, MK, MT, NL, NO, PL, PT, RO, RS, SE, SI, SK,
SM, TR), OAPI (BF, BJ, CF, CG, CI, CM, GA, GN, GQ,
GW, KM, ML, MR, NE, SN, TD, TG).

— *of inventorship (Rule 4.17(iv))*

Published:

— *with international search report (Art. 21(3))*

Declarations under Rule 4.17:

- *as to applicant's entitlement to apply for and be granted a patent (Rule 4.17(ii))*
- *as to the applicant's entitlement to claim the priority of the earlier application (Rule 4.17(iii))*

(48) Date of publication of this corrected version:

23 December 2015

(15) Information about Correction:

see Notice of 23 December 2015