



US00D841709S

(12) **United States Design Patent**  
**Koshiishi**

(10) **Patent No.:** **US D841,709 S**

(45) **Date of Patent:** **\*\* Feb. 26, 2019**

- (54) **LEG OF A ROBOT**
- (71) Applicant: **HONDA MOTOR CO., LTD.**, Tokyo (JP)
- (72) Inventor: **Takeshi Koshiishi**, Wako (JP)
- (73) Assignee: **HONDA MOTOR CO., LTD.**, Tokyo (JP)
- (\*\*) Term: **15 Years**
- (21) Appl. No.: **29/610,248**
- (22) Filed: **Jul. 11, 2017**

7,240,747 B2 *	7/2007	Miyazaki	.....	B25J 13/085
				180/8.1
7,492,115 B2 *	2/2009	Gomi	.....	B25J 9/1065
				318/568.11
D593,164 S *	5/2009	Sonoda	.....	D21/578
D677,743 S *	3/2013	Koshiishi	.....	D15/199
8,387,726 B2 *	3/2013	Miyazaki	.....	A63H 11/00
				180/8.6
9,327,785 B2 *	5/2016	Alfayad	.....	B25J 17/0283
D774,148 S *	12/2016	Hong	.....	D21/578
D794,692 S *	8/2017	Haranaka	.....	D15/199
D795,320 S *	8/2017	Liu	.....	D15/199
2016/0229058 A1 *	8/2016	Pinter	.....	G06Q 50/22
2016/0361813 A1 *	12/2016	Fei	.....	B25J 9/08

\* cited by examiner

(30) **Foreign Application Priority Data**

Jan. 12, 2017 (JP) ..... 2017-000338

- (51) **LOC (11) CL.** ..... **15-99**
- (52) **U.S. CL.**  
USPC ..... **D15/199**
- (58) **Field of Classification Search**  
USPC ..... D15/199; D21/578-583, 621, 622  
CPC ..... B25J 13/085; B25J 17/0275  
See application file for complete search history.

(56) **References Cited**

**U.S. PATENT DOCUMENTS**

D453,199 S *	1/2002	Sawai	.....	D21/578
D460,131 S *	7/2002	Koshiishi	.....	D21/578
D460,503 S *	7/2002	Koshiishi	.....	D21/578
6,831,437 B2 *	12/2004	Filo	.....	B62D 57/032
				318/568.11
6,897,631 B2 *	5/2005	Miyazaki	.....	B25J 9/126
				180/8.6
6,981,562 B2 *	1/2006	Takahashi	.....	B25J 9/08
				180/8.6
D541,353 S *	4/2007	Takahashi	.....	D21/578

*Primary Examiner* — Patricia A Palasik  
(74) *Attorney, Agent, or Firm* — Westerman, Hattori, Daniels & Adrian, LLP

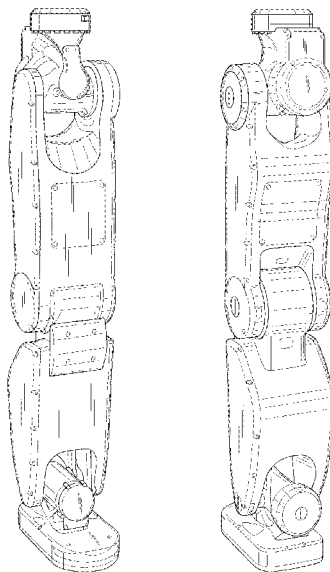
(57) **CLAIM**

The ornamental design for a leg of a robot, as shown and described.

**DESCRIPTION**

FIG. 1 is a front perspective view of a leg of a robot; FIG. 2 is a rear perspective view thereof; FIG. 3 is a front view thereof; FIG. 4 is a rear view thereof; FIG. 5 is a top plan view thereof; FIG. 6 is a bottom view thereof; FIG. 7 is a left side view thereof; FIG. 8 is a right side view thereof; FIG. 9 is a front perspective view thereof; and, FIG. 10 is a rear perspective view thereof.

**1 Claim, 10 Drawing Sheets**



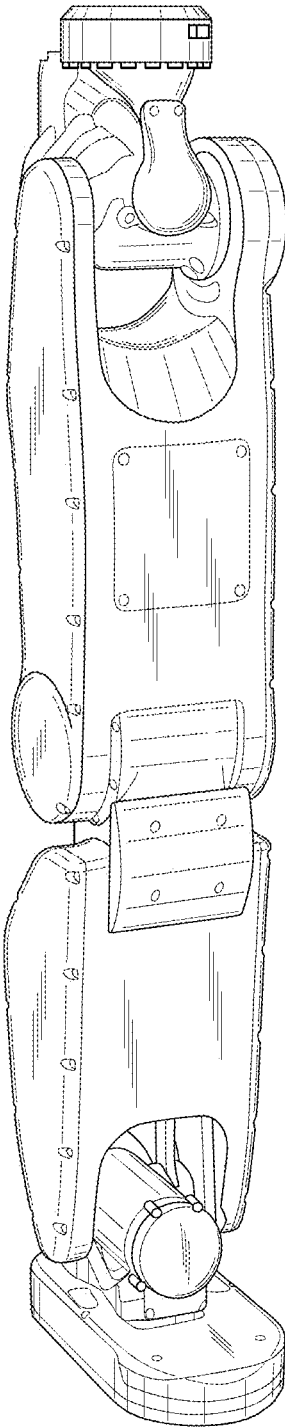


FIG.1

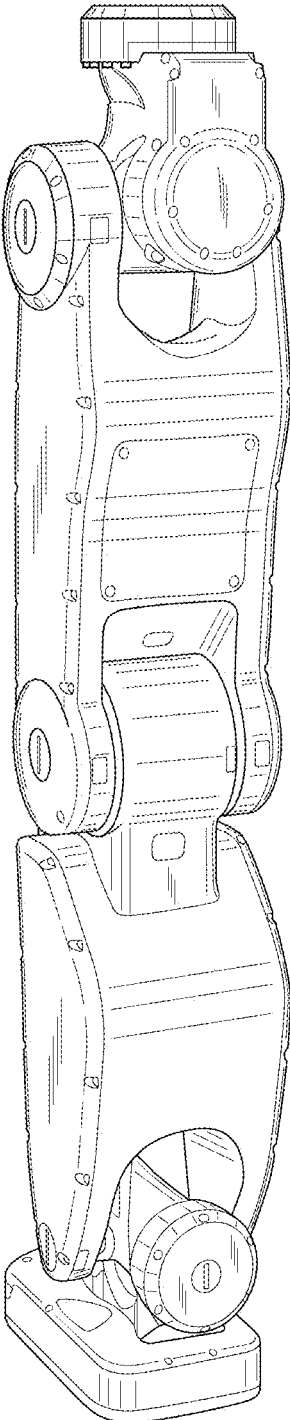


FIG.2

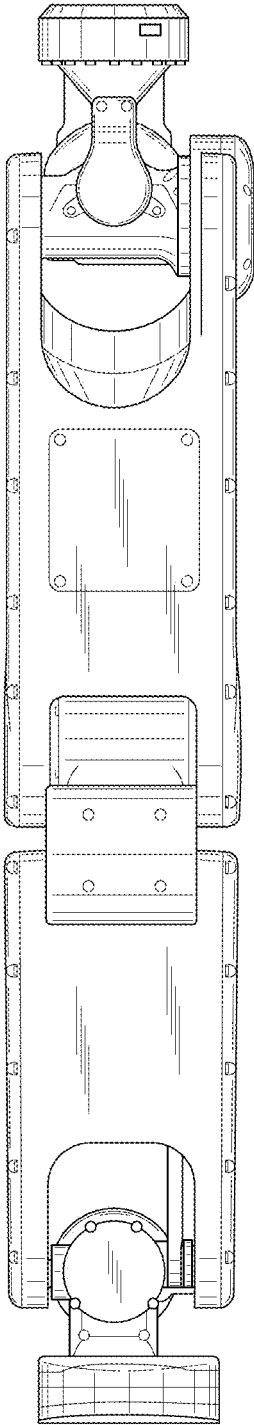


FIG.3

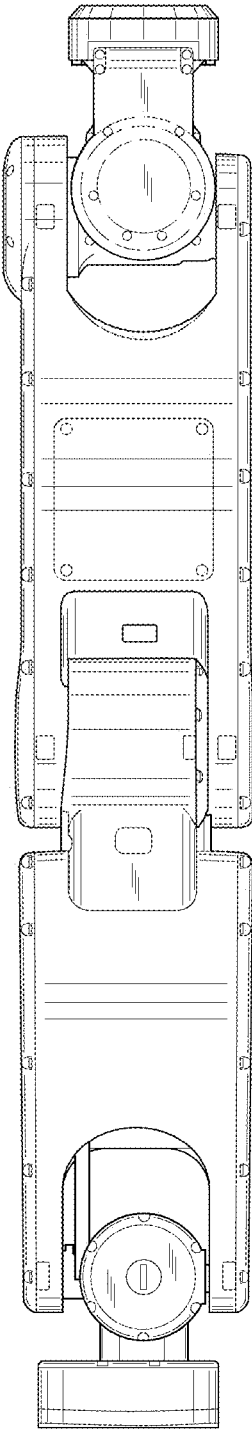


FIG.4

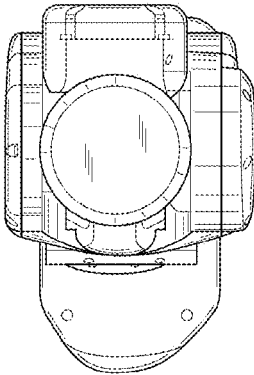


FIG.5

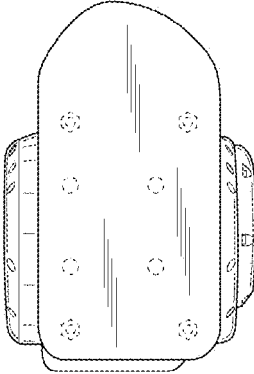


FIG.6

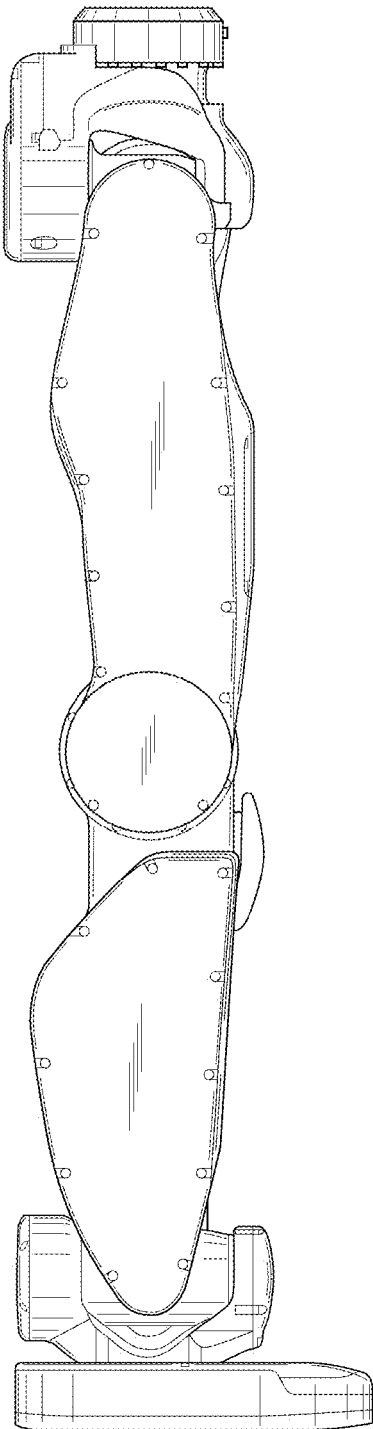


FIG.7



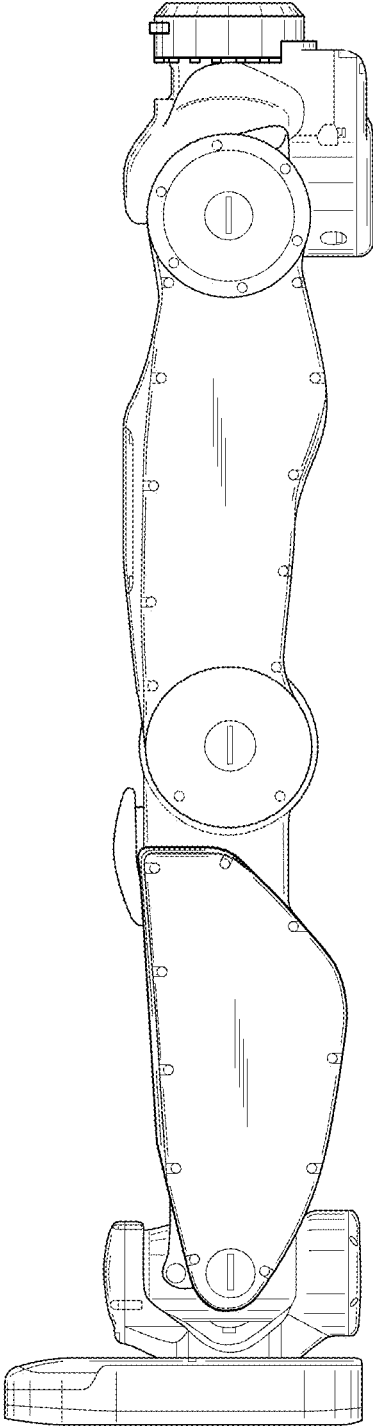


FIG. 8

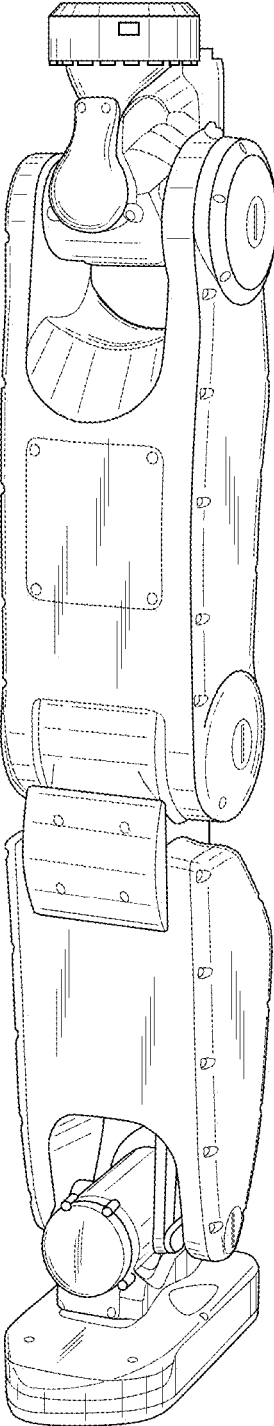


FIG.9

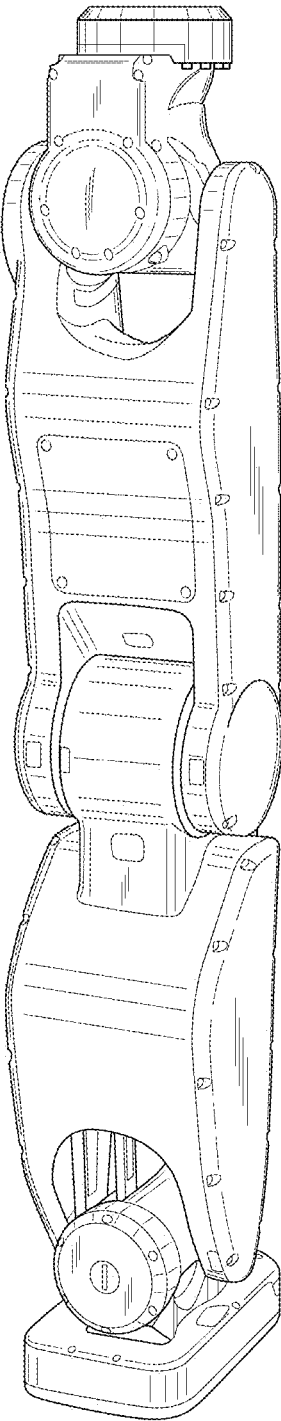


FIG.10