



US00D657833S

(12) **United States Design Patent**
Cloutier

(10) **Patent No.:** **US D657,833 S**

(45) **Date of Patent:** **** Apr. 17, 2012**

(54) **TREADMILL**

(75) Inventor: **Étienne Cloutier, Sainte-Marie (CA)**

(73) Assignee: **Appareils D'Exercice Bodyguard Inc.,
Saint-Georges (CA)**

(**) Term: **14 Years**

(21) Appl. No.: **29/375,133**

(22) Filed: **Sep. 17, 2010**

(51) **LOC (9) Cl.** **21-02**

(52) **U.S. Cl.** **D21/694**

(58) **Field of Classification Search** D21/662,
D21/668-669, 694, 696; 482/4-5, 7-9, 51,
482/54

See application file for complete search history.

(56) **References Cited**

U.S. PATENT DOCUMENTS

D265,412	S	*	7/1982	Summerlot	D21/669
D266,443	S	*	10/1982	Summerlot	D21/669
D282,386	S	*	1/1986	Dealey et al.	D21/669
D303,414	S	*	9/1989	Armstrong et al.	D21/669
D323,009	S	*	1/1992	Dalebout et al.	D21/669
D364,902	S	*	12/1995	Fleming	D21/686
D369,843	S	*	5/1996	Wang et al.	D21/669
5,910,070	A	*	6/1999	Henry et al.	482/4
5,935,049	A	*	8/1999	Hamm	482/140
6,350,218	B1	*	2/2002	Dalebout et al.	482/54
6,824,502	B1	*	11/2004	Huang	482/54

D521,577	S	*	5/2006	Wu	D21/669
D531,683	S	*	11/2006	Choi et al.	D21/696
D557,359	S	*	12/2007	Olason et al.	D21/696
2005/0192162	A1	*	9/2005	Pan et al.	482/54
2009/0042698	A1	*	2/2009	Wang	482/54

OTHER PUBLICATIONS

Drawings of Bodyguard Fitness Model T460 presented to distributors on or Apr. 30, 2010.

* cited by examiner

Primary Examiner — Susan E Krakower

(74) *Attorney, Agent, or Firm* — Norton Rose Canada LLP

(57) **CLAIM**

The ornamental design for a treadmill, as shown and described.

DESCRIPTION

FIG. 1 is a perspective view of a treadmill in accordance with my new design;

FIG. 2 is a rear view of the treadmill of FIG. 1;

FIG. 3 is a front view of the treadmill of FIG. 1;

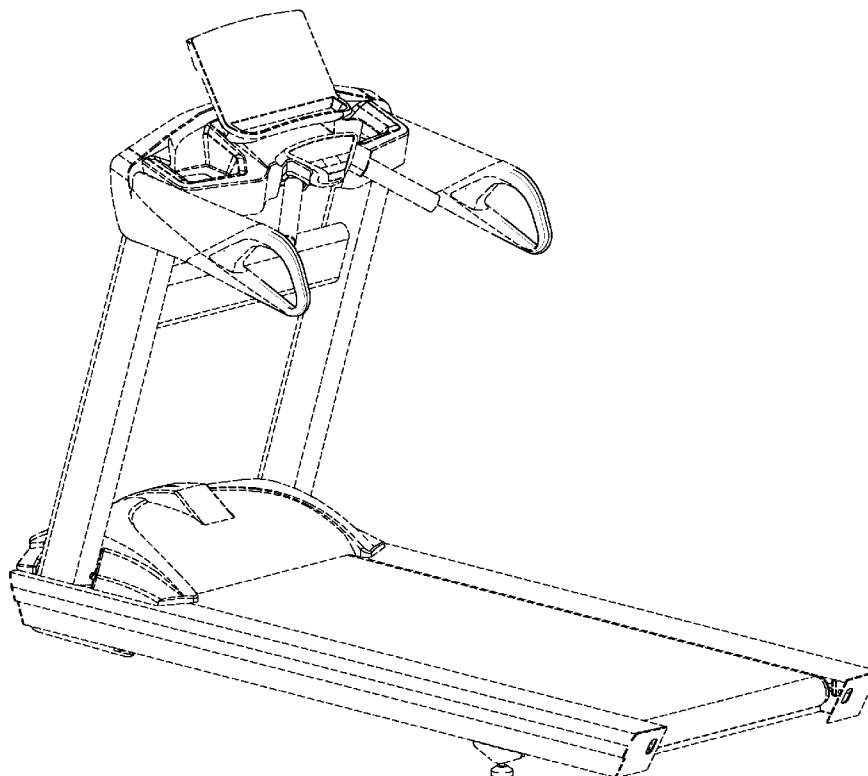
FIG. 4 is a top view of the treadmill of FIG. 1;

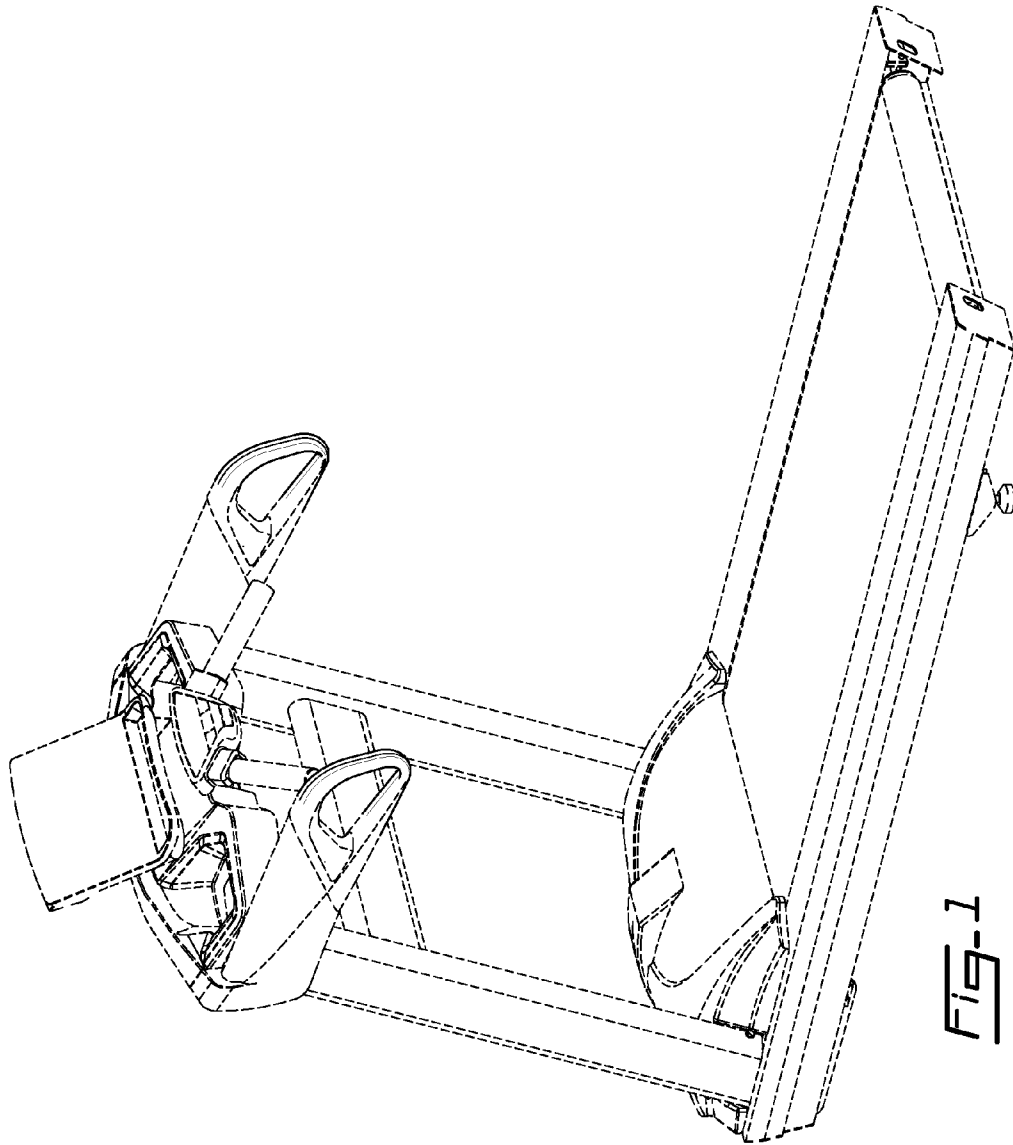
FIG. 5 is a bottom view of the treadmill of FIG. 1; and,

FIG. 6 is a side view of the treadmill of FIG. 1, the opposite side view being a mirror image thereof.

Any parts shown in broken lines form no part of the claimed design.

1 Claim, 6 Drawing Sheets





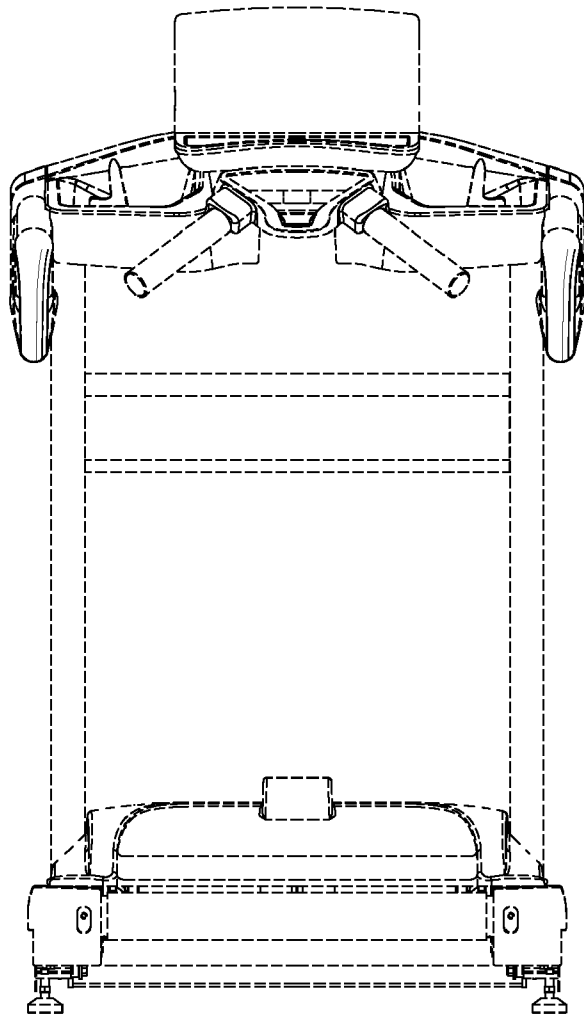


Fig-2

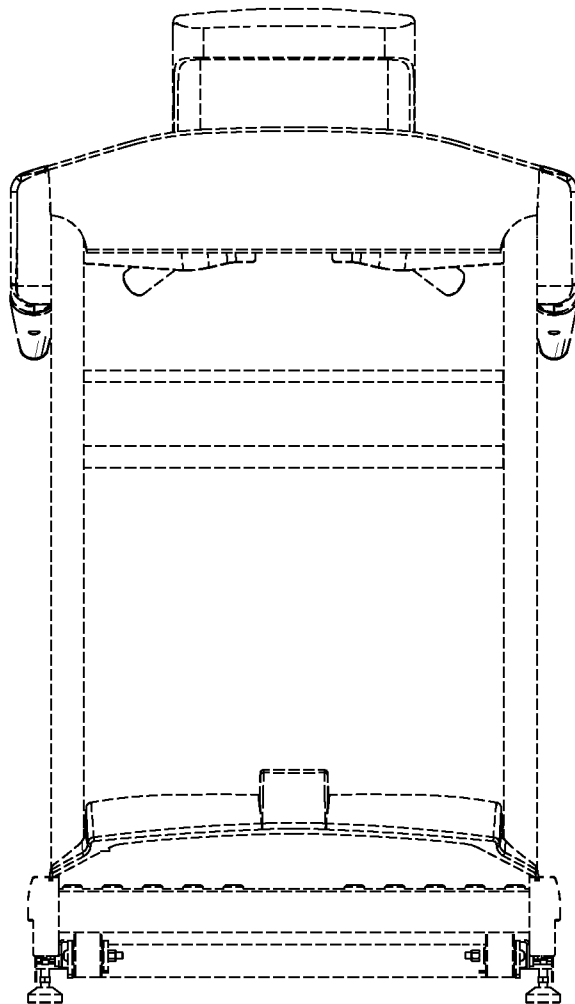


Fig. 3

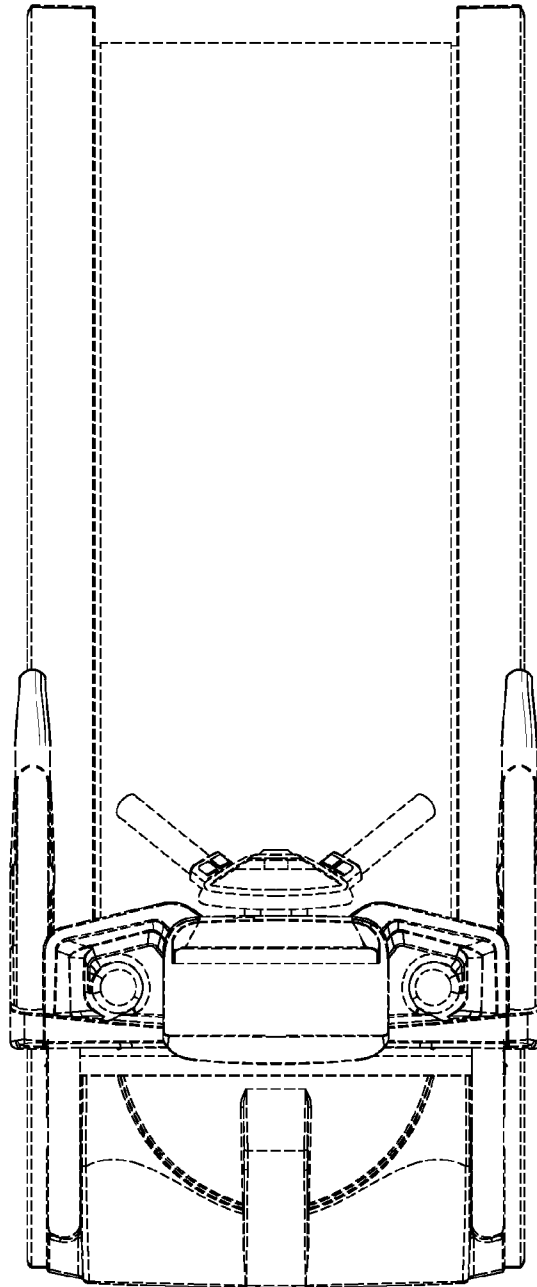


Fig-4

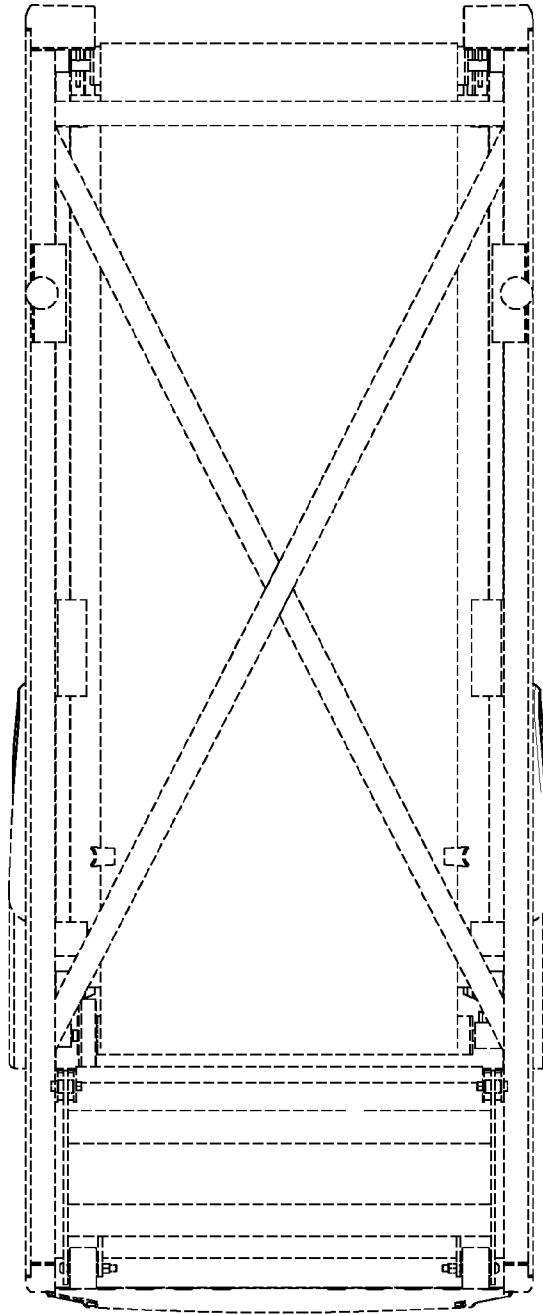


FIG-5

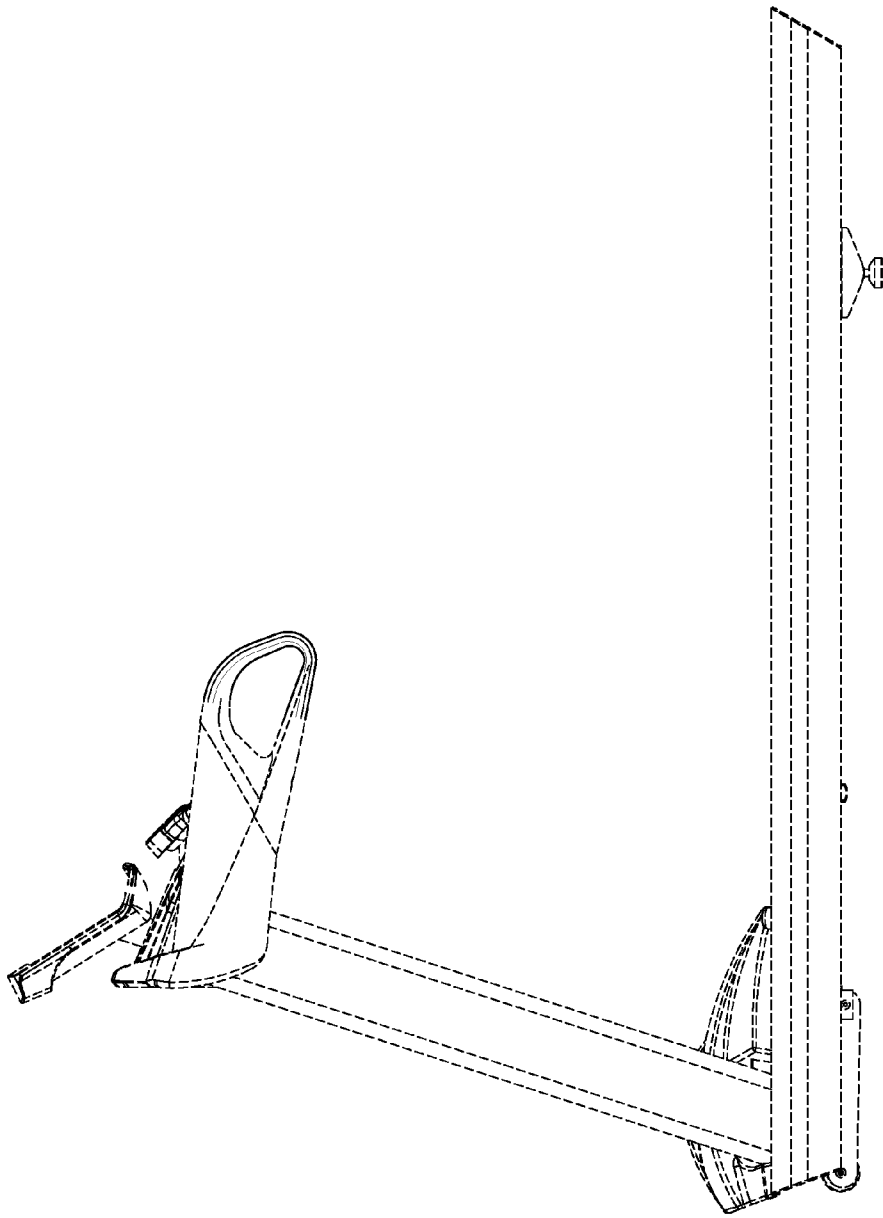


Fig. 6