



US00D976339S

(12) **United States Design Patent**
Li

(10) **Patent No.:** **US D976,339 S**

(45) **Date of Patent:** **** Jan. 24, 2023**

(54) **PEDAL EXERCISER**

D906,445 S * 12/2020 Colburn A63B 22/0664

(71) Applicant: **Shenzhen ESINO Technology Co., Ltd.**, Shenzhen (CN)

D940,797 S * 1/2022 Ach D21/663

D948,639 S * 4/2022 Ach D21/663

(72) Inventor: **Chao Li**, Shenzhen (CN)

* cited by examiner

(73) Assignee: **SHENZHEN ESINO TECHNOLOGY CO., LTD.**, Shenzhen (CN)

Primary Examiner — Gino Colan

Assistant Examiner — Gregory G McLemore

(74) *Attorney, Agent, or Firm* — Chun-Ming Shih;
Lanway IPR Services

(**) Term: **15 Years**

(57) **CLAIM**

(21) Appl. No.: **29/786,176**

The ornamental design for a pedal exerciser, as shown and described.

(22) Filed: **May 28, 2021**

DESCRIPTION

(30) **Foreign Application Priority Data**

FIG. 1 is a perspective view of a pedal exerciser showing the new design;

Apr. 25, 2021 (CN) 202130240425.0

FIG. 2 is a front view thereof;

(51) **LOC (14) Cl.** **21-02**

FIG. 3 is a rear view thereof;

(52) **U.S. Cl.**

FIG. 4 is a left side elevational view thereof;

USPC **D21/663**

FIG. 5 is a right side elevational view thereof;

(58) **Field of Classification Search**

FIG. 6 is a top view thereof;

USPC D21/663, 666, 668, 670, 671, 685

FIG. 7 is a bottom view thereof;

CPC A63B 22/0605; A63B 22/0664; A63B 22/0694

FIG. 8 is an enlarged perspective view of a portion in FIG. 1;

See application file for complete search history.

FIG. 9 is an enlarged perspective view of a portion in FIG. 2; and,

(56) **References Cited**

FIG. 10 is an enlarged perspective view of a portion in FIG. 6.

U.S. PATENT DOCUMENTS

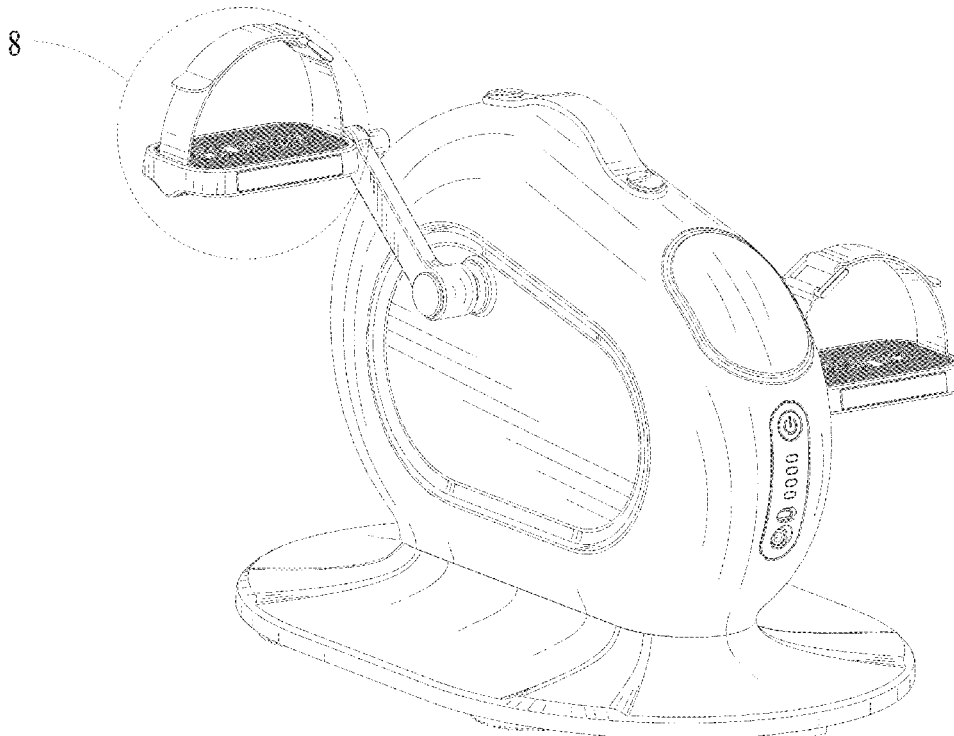
The broken lines shown in the figures are for the purpose of illustrating portions of the pedal exerciser and form no part of the claimed design.

D482,084 S * 11/2003 Yang D21/663

D482,416 S * 11/2003 Yang D21/663

D794,142 S * 8/2017 Zhou D21/663

1 Claim, 10 Drawing Sheets



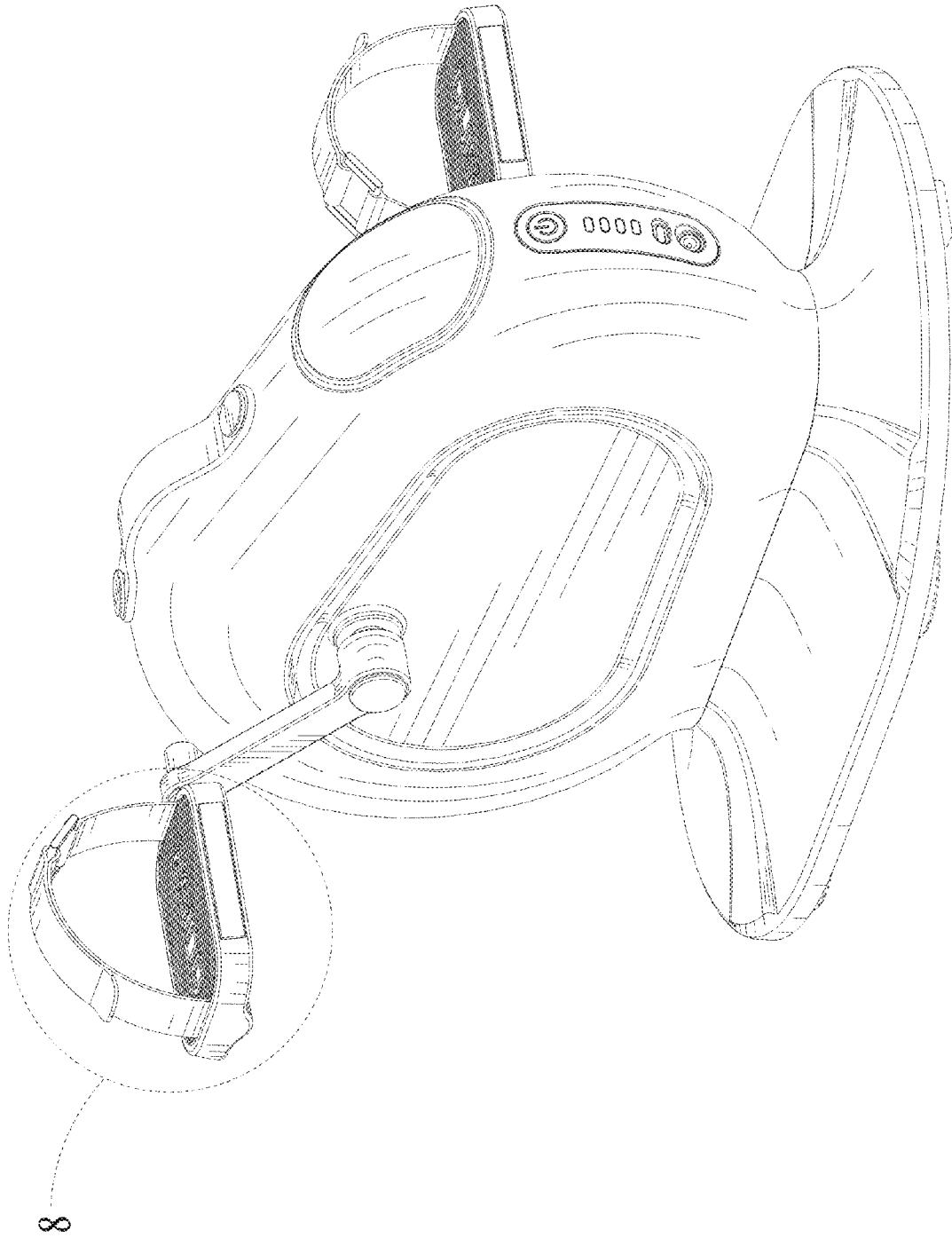


FIG. 1

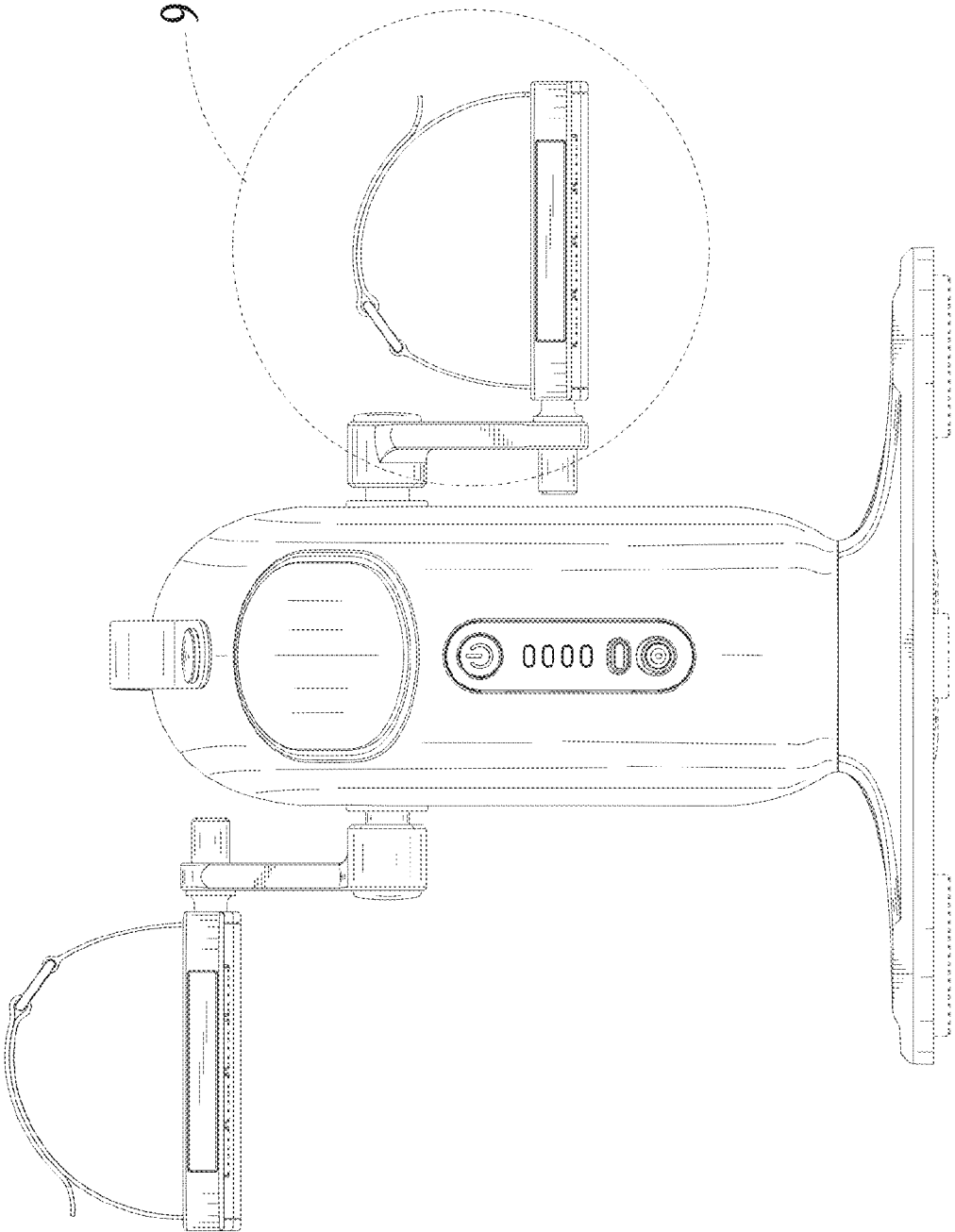


FIG. 2

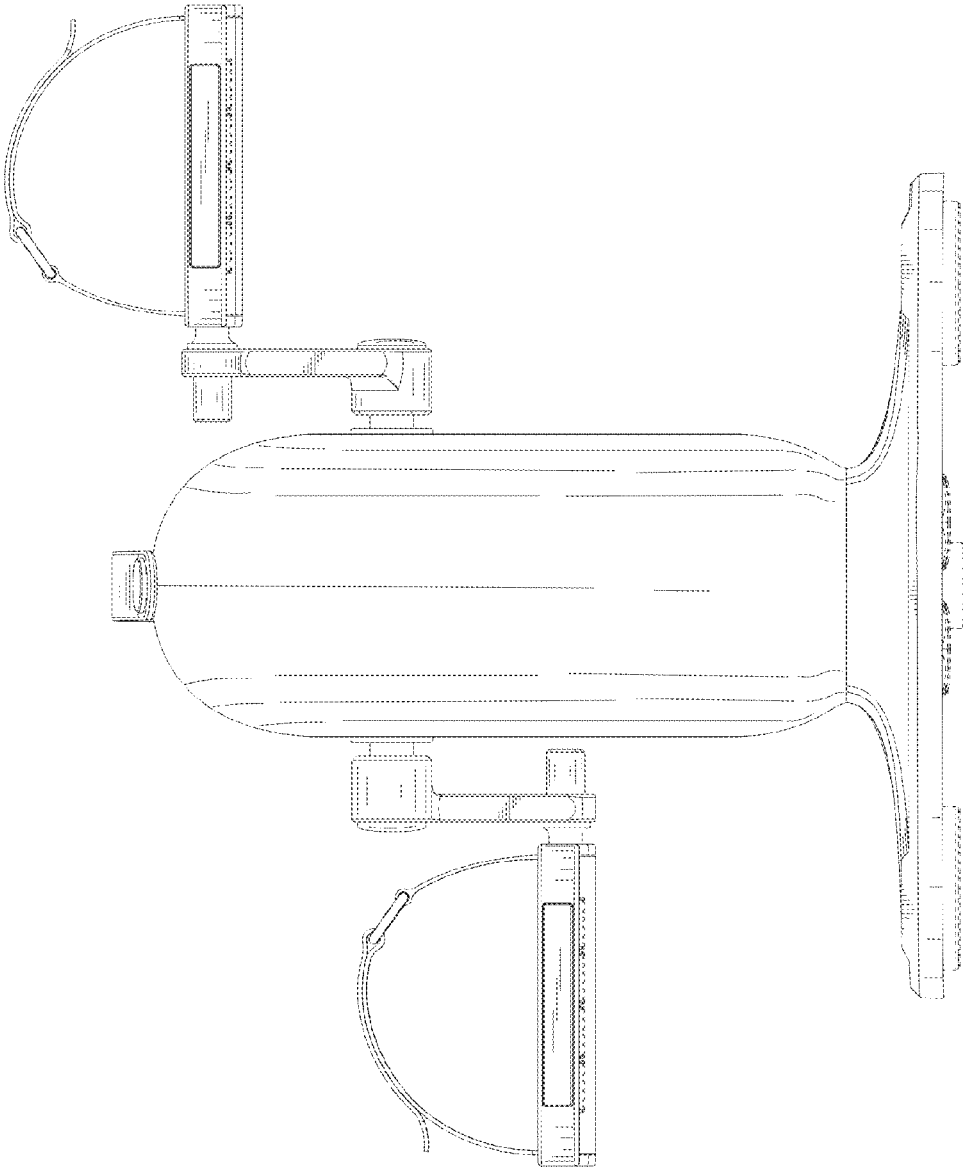


FIG. 3

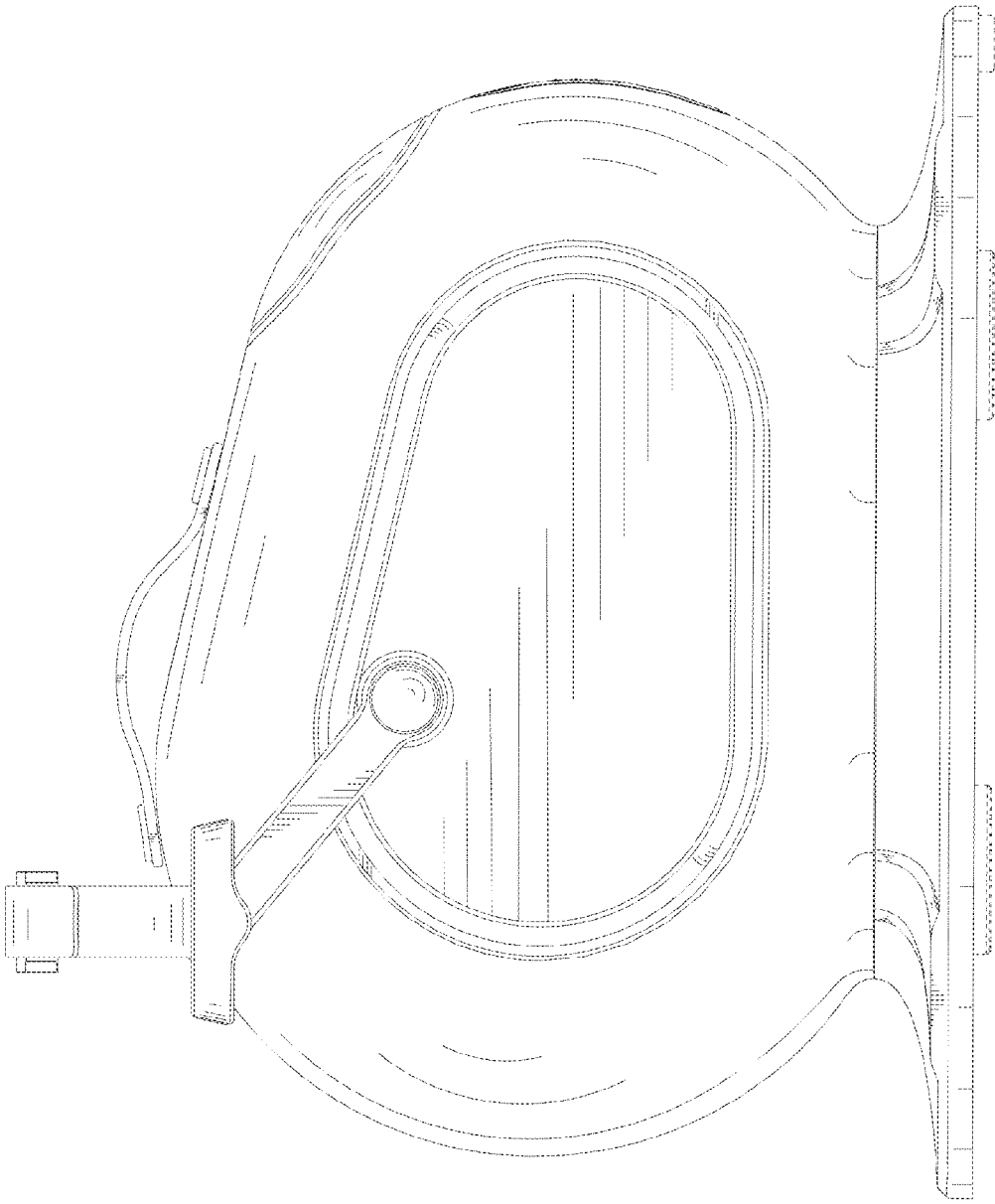


FIG. 4

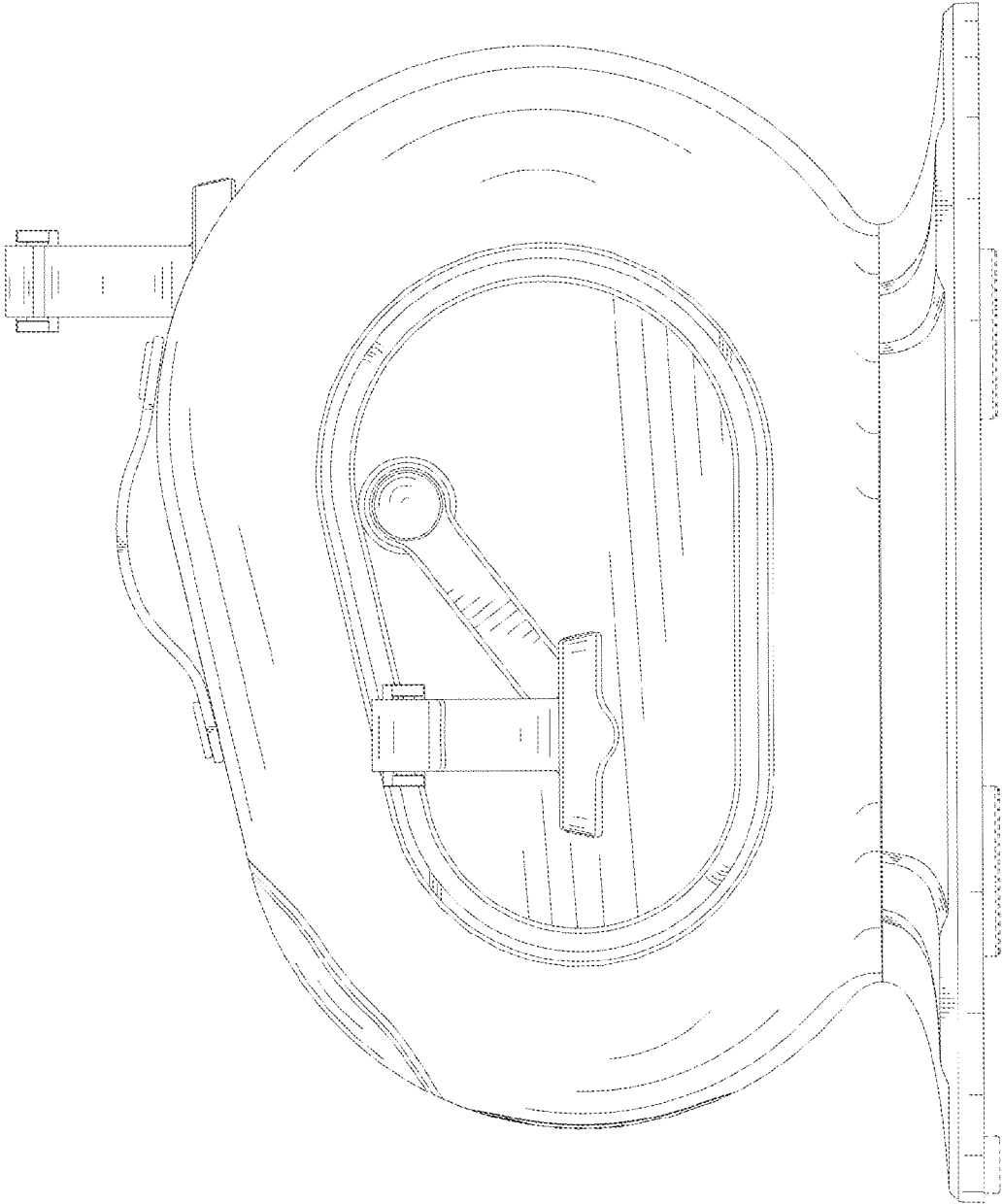


FIG. 5

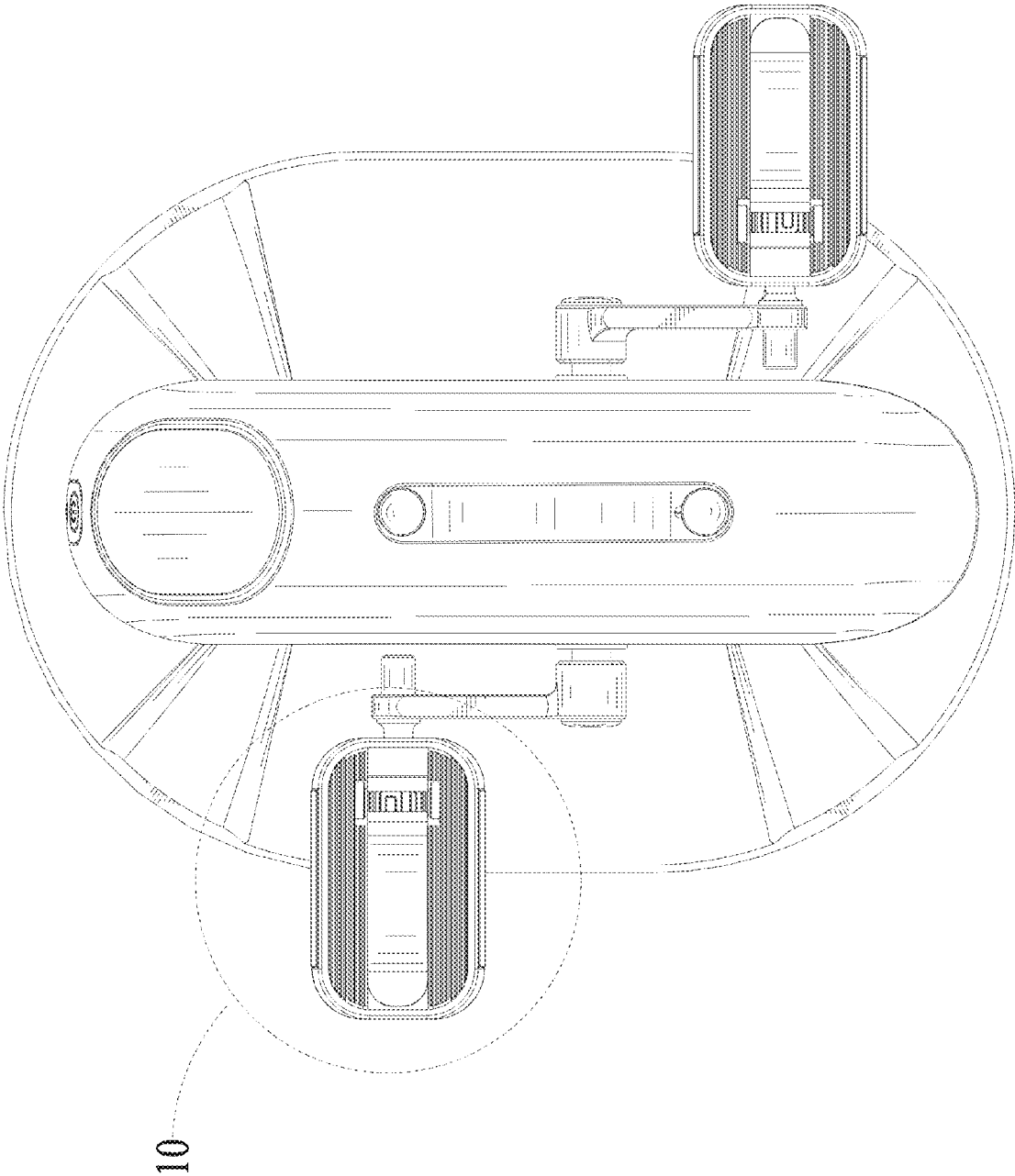


FIG. 6

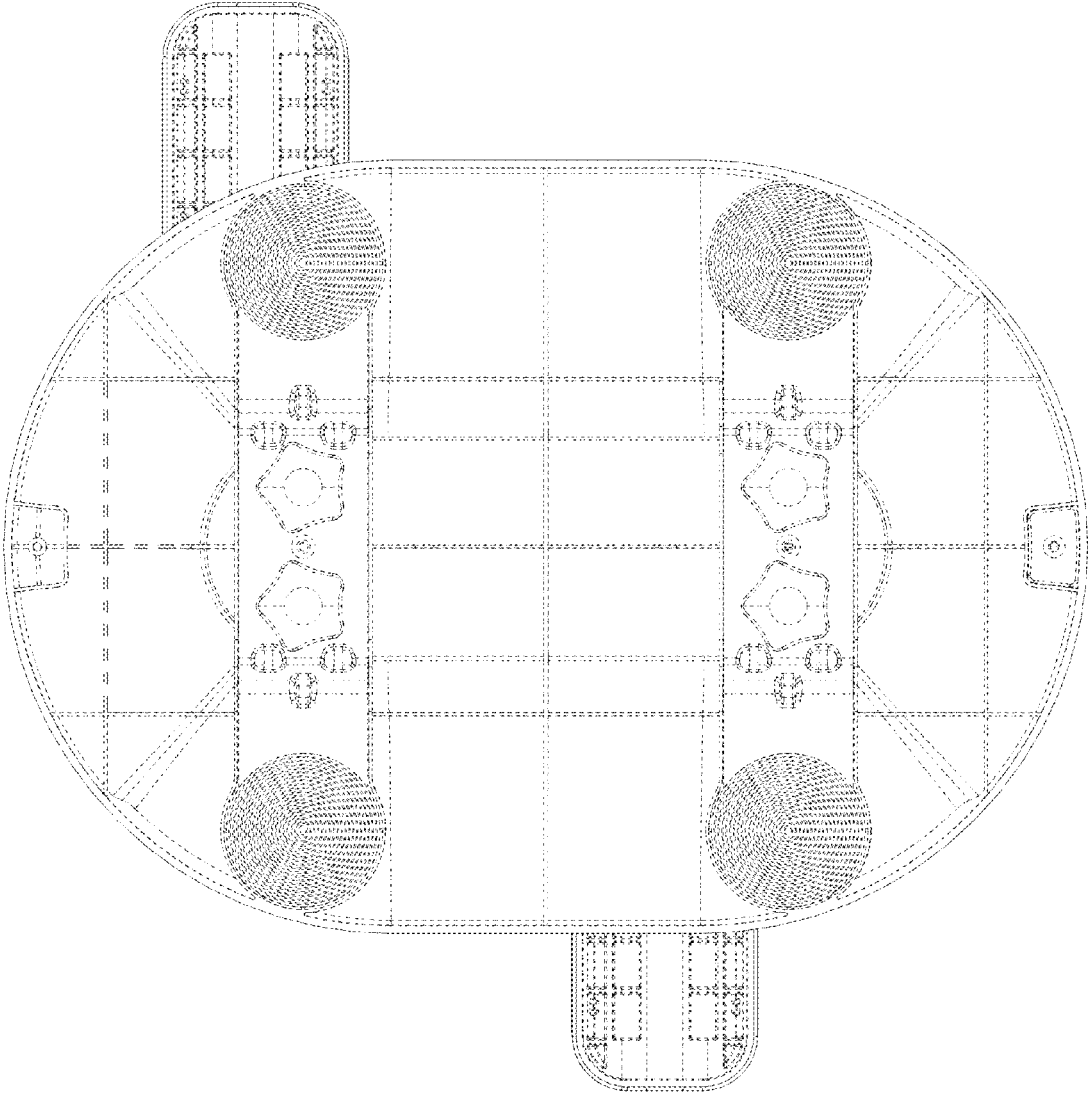


FIG. 7

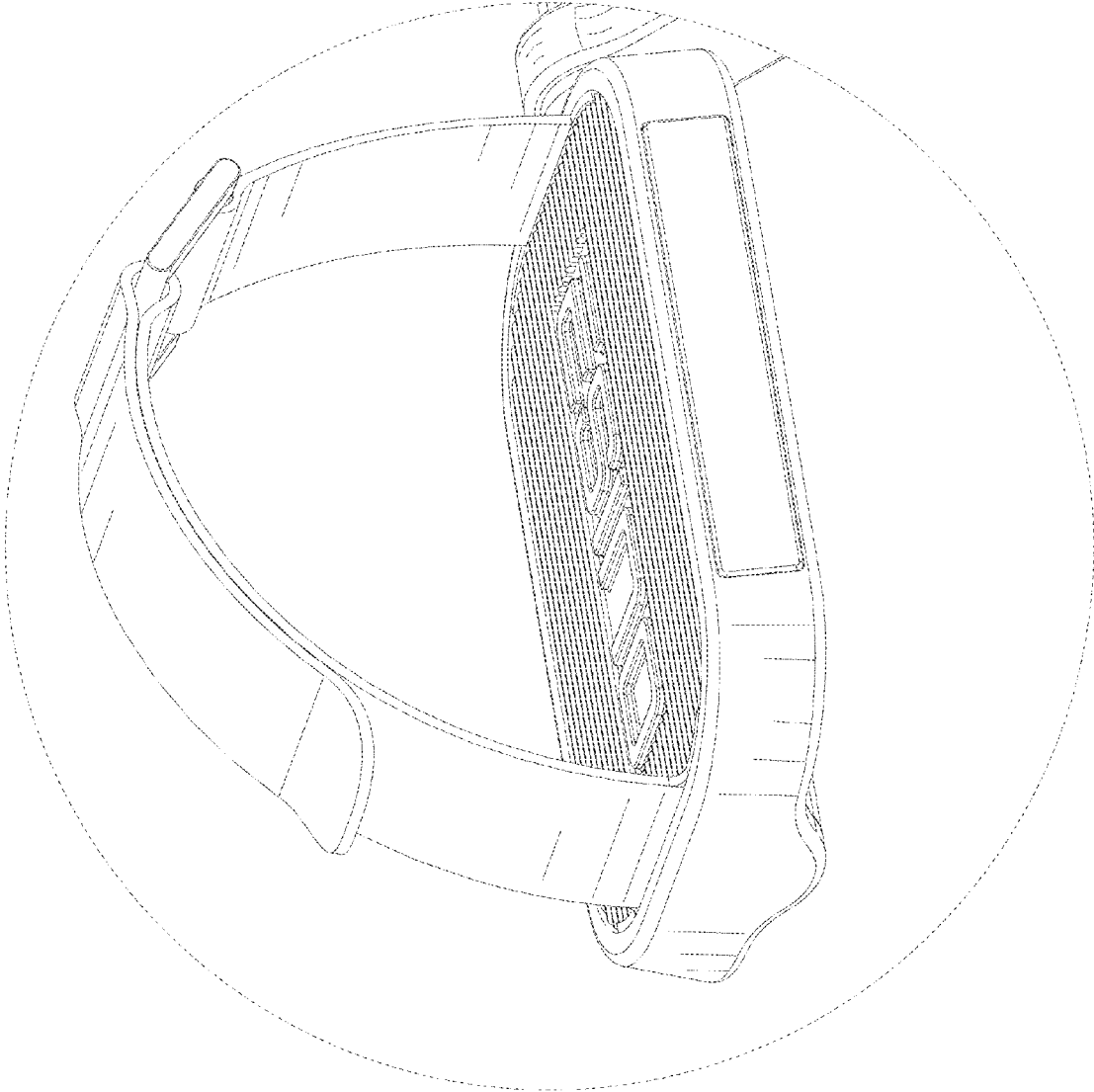


FIG. 8

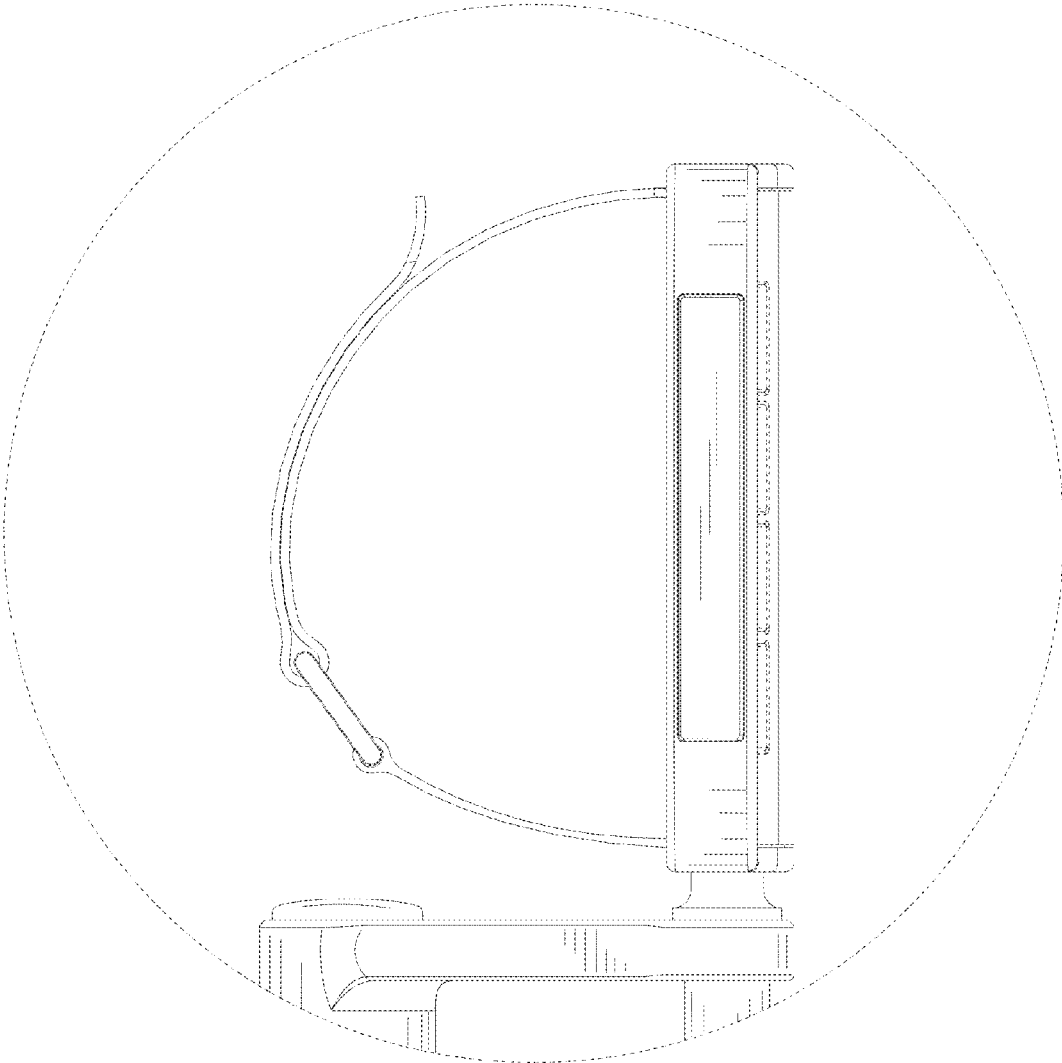


FIG. 9

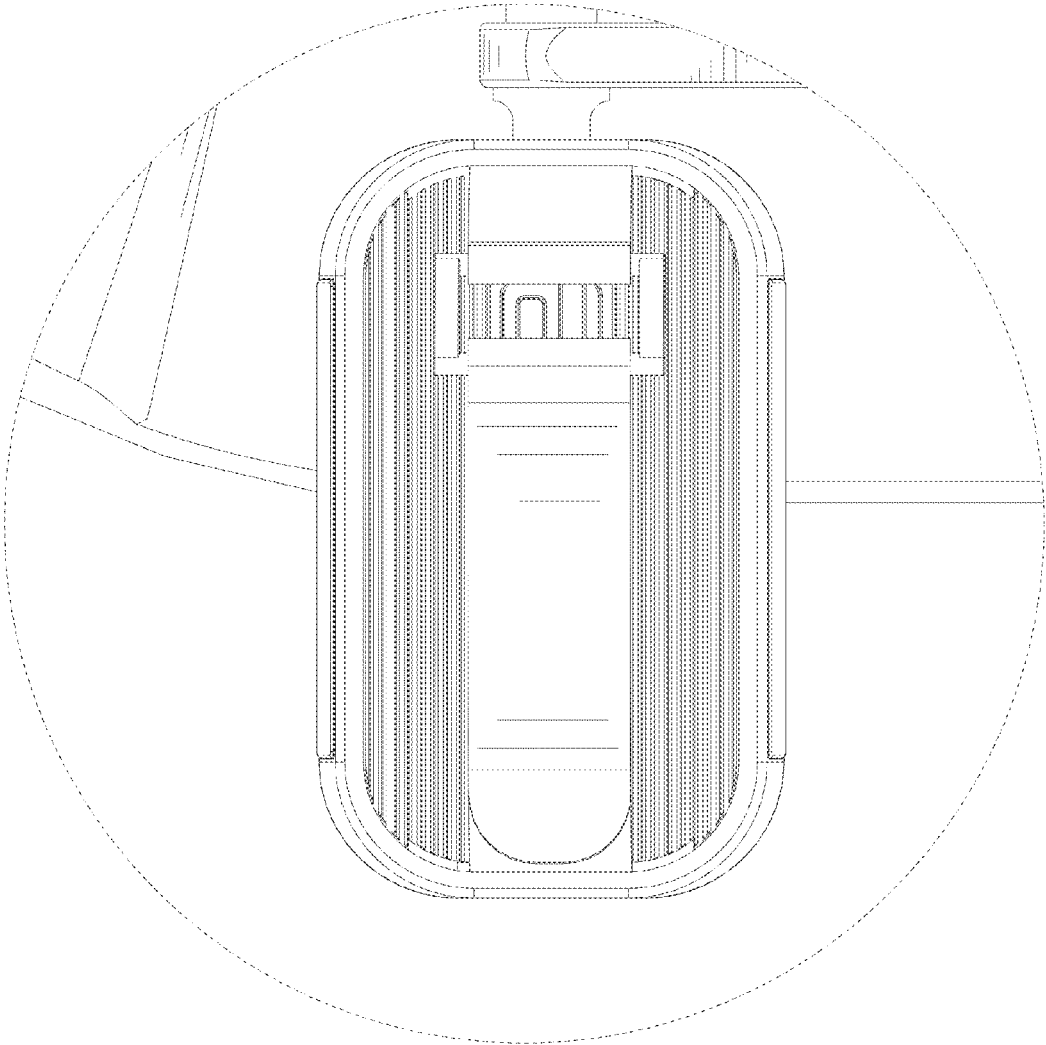


FIG. 10