



US00D652223S

(12) **United States Design Patent**
Fujita

(10) **Patent No.:** **US D652,223 S**

(45) **Date of Patent:** **** Jan. 17, 2012**

(54) **CHAIR**

(75) Inventor: **Hisato Fujita**, Kanagawa (JP)

(73) Assignee: **Okamura Corporation**, Yokohama-Shi (JP)

(**) Term: **14 Years**

(21) Appl. No.: **29/334,940**

(22) Filed: **Apr. 6, 2009**

(30) **Foreign Application Priority Data**

Oct. 9, 2008 (JP) 2008-25949

(51) **LOC (9) Cl.** **06-01**

(52) **U.S. Cl.** **D6/366**

(58) **Field of Classification Search** D6/334-336,
D6/346-367, 369, 379-380, 498, 500-502;
297/411.2, 411.27, 411.36, 452.13, 452.21,
297/452.29, 452.35, 452.3, 452.64
See application file for complete search history.

(56) **References Cited**

U.S. PATENT DOCUMENTS

D489,191	S	*	5/2004	Ma	D6/366
D493,627	S	*	8/2004	Ma	D6/366
D511,418	S	*	11/2005	Breen	D6/366
D514,832	S	*	2/2006	Tsai	D6/366
D516,828	S	*	3/2006	Tsai	D6/366
D527,920	S	*	9/2006	Giugiaro	D6/366

D528,811	S	*	9/2006	Giugiaro	D6/366
D541,062	S	*	4/2007	Su	D6/366
D541,063	S	*	4/2007	Su	D6/366
D548,992	S	*	8/2007	Koepke et al.	D6/366
D549,977	S	*	9/2007	Koepke et al.	D6/366
D558,995	S	*	1/2008	Igarashi	D6/366
D559,571	S	*	1/2008	Meda	D6/366
D559,572	S	*	1/2008	Igarashi	D6/366
D613,085	S	*	4/2010	Fujita	D6/366
D613,086	S	*	4/2010	Fujita	D6/366
D627,983	S	*	11/2010	Wakasugi et al.	D6/366

* cited by examiner

Primary Examiner — Elizabeth Albert

Assistant Examiner — Kelley Donnelly

(74) *Attorney, Agent, or Firm* — Sughrue Mion, PLLC

(57) **CLAIM**

The ornamental design for a chair, as shown and described.

DESCRIPTION

FIG. 1 is a perspective view from the front side of a chair.

FIG. 2 is a perspective view from the rear side thereof.

FIG. 3 is a front elevation view thereof.

FIG. 4 is a rear elevation view thereof.

FIG. 5 is a right side elevation view thereof.

FIG. 6 is a left side elevation view thereof.

FIG. 7 is a top plan view thereof; and,

FIG. 8 is a bottom plan view thereof.

The broken lines depict environmental subject matter only and form no part of the claimed design.

1 Claim, 8 Drawing Sheets

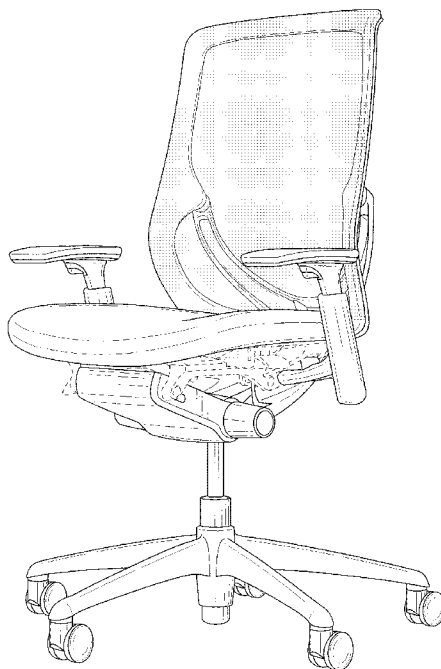


FIG. 1



FIG. 2



FIG. 3

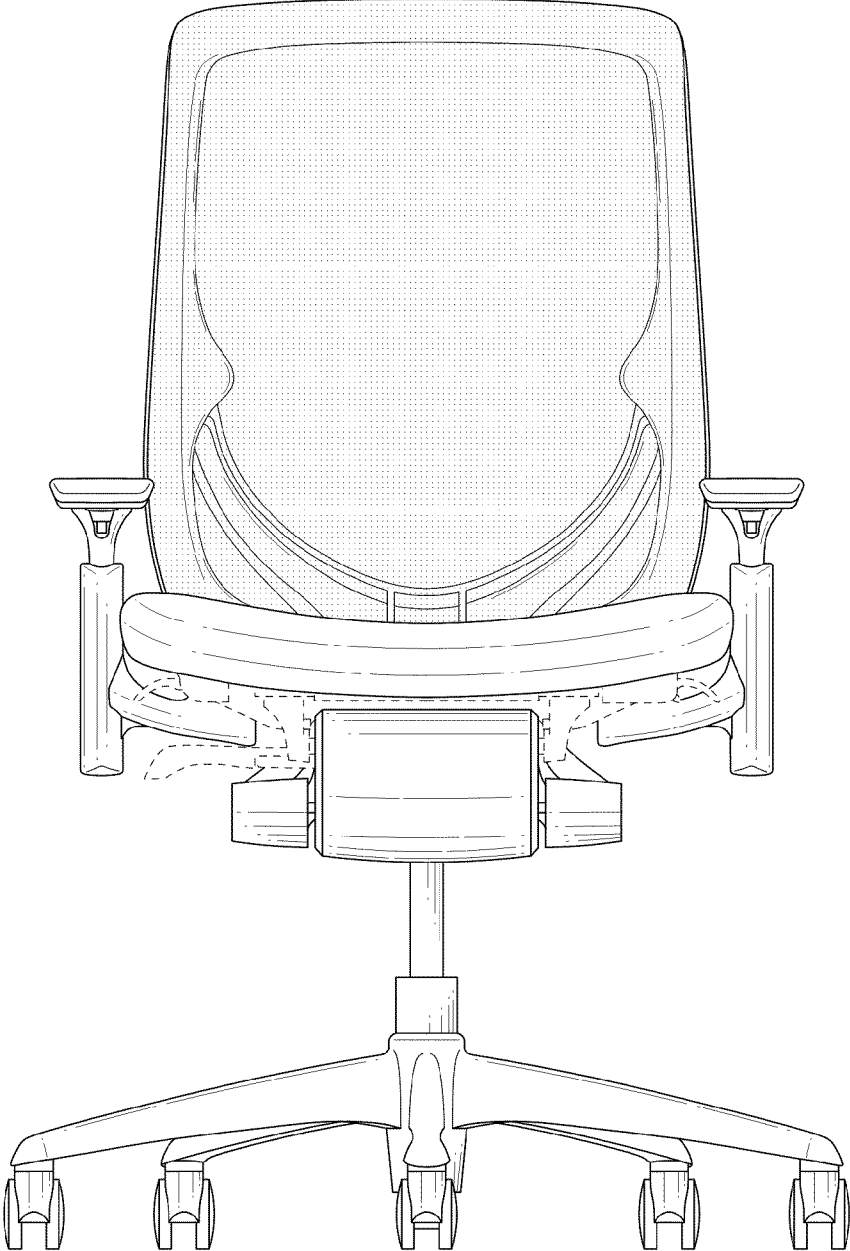


FIG. 4

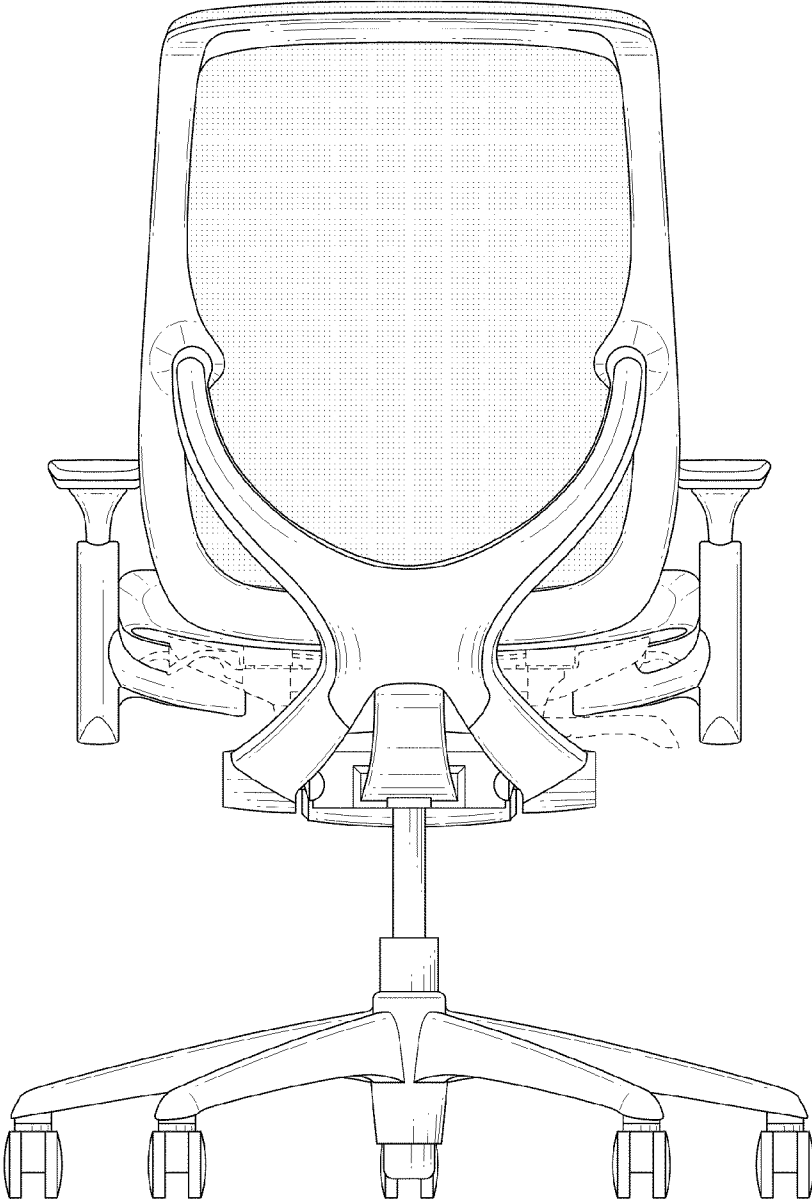


FIG. 5

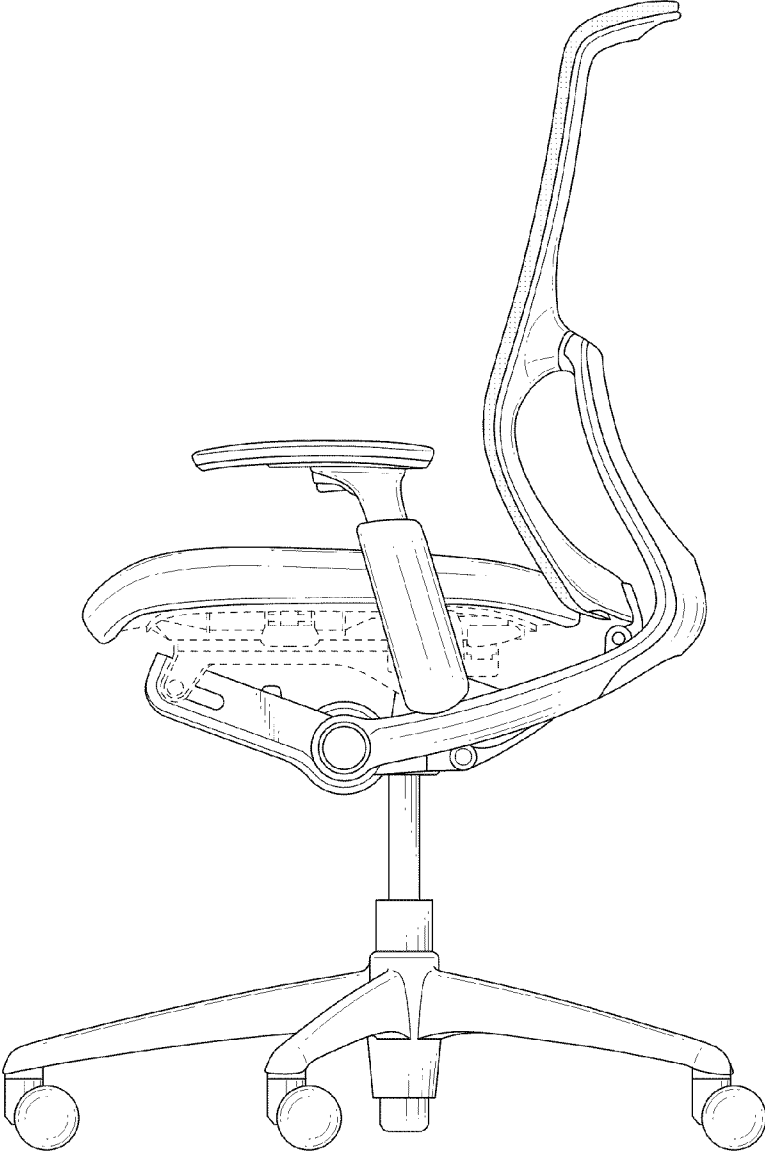


FIG. 6

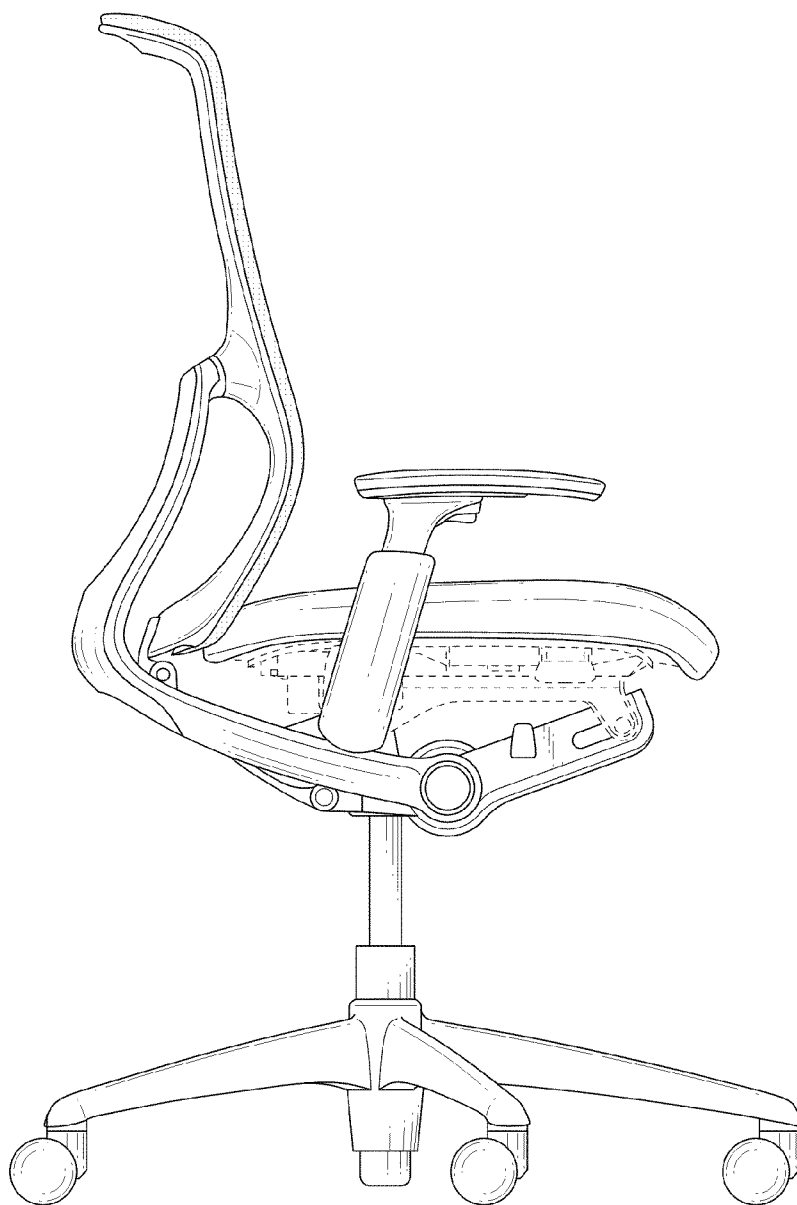


FIG. 7

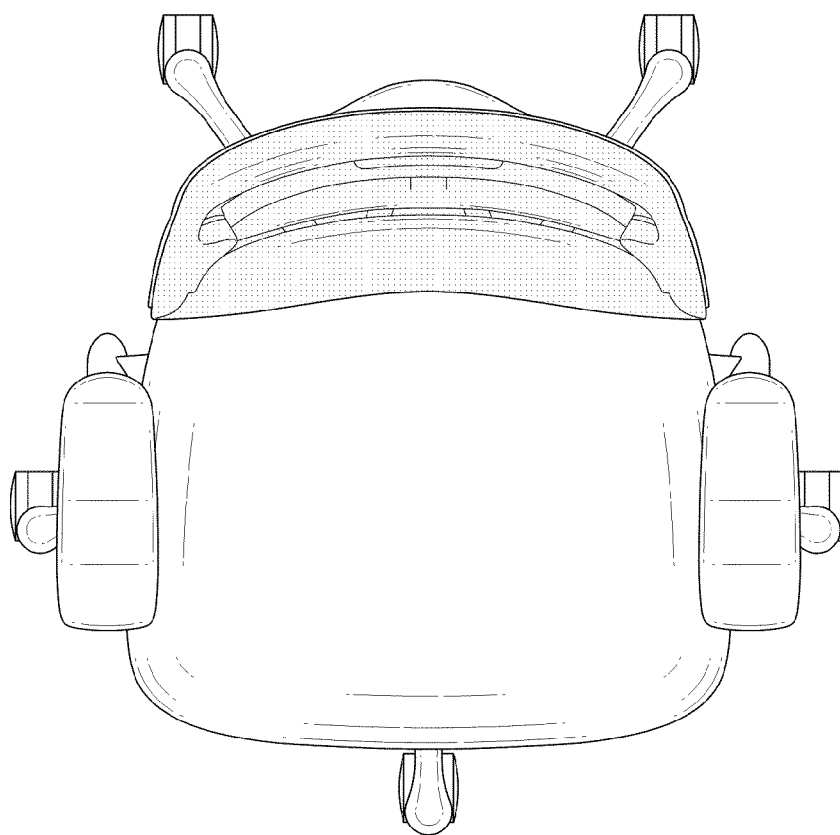


FIG. 8

