



(51) International Patent Classification:

A01C 7/00 (2006.01) A01C 7/16 (2006.01)
A01C 7/04 (2006.01) A01C 7/20 (2006.01)
A01C 7/18 (2006.01)

(21) International Application Number:

PCT/US2016/042309

(22) International Filing Date:

14 July 2016 (14.07.2016)

(25) Filing Language:

English

(26) Publication Language:

English

(30) Priority Data:

62/192,309 14 July 2015 (14.07.2015) US

(71) Applicant: **PRECISION PLANTING LLC** [US/US];
23207 Townline Road, Tremont, IL 61568 (US).

(72) Inventors: **RADTKE, Ian**; 281 Circle Shore Drive, Wash-
ington, IL 61571 (US). **SWANSON, Todd**; 26829 Broad-
way Rd, Morton, IL 61550 (US).

(74) Agent: **OPPOLD, Thomas, J.**; Larkin Hoffman Daly &
Lindgren Ltd., 8300 Norman Center Drive, Suite 1000,
Minneapolis, MN 55437 (US).

(81) Designated States (unless otherwise indicated, for every
kind of national protection available): AE, AG, AL, AM,
AO, AT, AU, AZ, BA, BB, BG, BH, BN, BR, BW, BY,
BZ, CA, CH, CL, CN, CO, CR, CU, CZ, DE, DK, DM,
DO, DZ, EC, EE, EG, ES, FI, GB, GD, GE, GH, GM, GT,
HN, HR, HU, ID, IL, IN, IR, IS, JP, KE, KG, KN, KP, KR,

[Continued on next page]

(54) Title: SEED DELIVERY APPARATUS, SYSTEMS, AND METHODS

(57) Abstract: A seed delivery apparatus and methods in which
a seed conveyor delivers seed from a metering device to a trench
in a controlled manner to maintain seed placement accuracy
within the trench.

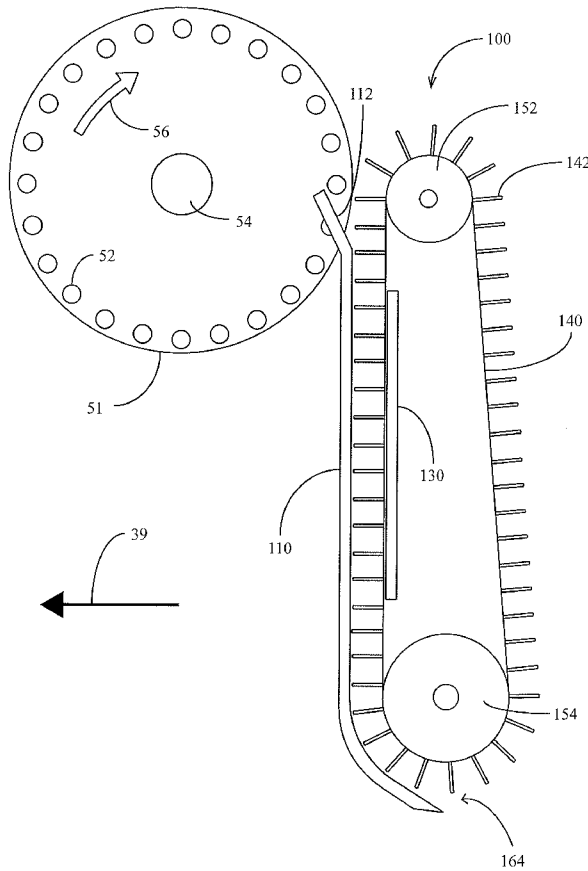


FIG. 2

WO 2017/011675 A1

KZ, LA, LC, LK, LR, LS, LU, LY, MA, MD, ME, MG, MK, MN, MW, MX, MY, MZ, NA, NG, NI, NO, NZ, OM, PA, PE, PG, PH, PL, PT, QA, RO, RS, RU, RW, SA, SC, SD, SE, SG, SK, SL, SM, ST, SV, SY, TH, TJ, TM, TN, TR, TT, TZ, UA, UG, US, UZ, VC, VN, ZA, ZM, ZW.

(84) Designated States (unless otherwise indicated, for every kind of regional protection available): ARIPO (BW, GH, GM, KE, LR, LS, MW, MZ, NA, RW, SD, SL, ST, SZ, TZ, UG, ZM, ZW), Eurasian (AM, AZ, BY, KG, KZ, RU, TJ, TM), European (AL, AT, BE, BG, CH, CY, CZ, DE, DK, EE, ES, FI, FR, GB, GR, HR, HU, IE, IS, IT, LT, LU, LV, MC, MK, MT, NL, NO, PL, PT, RO, RS, SE,

SI, SK, SM, TR), OAPI (BF, BJ, CF, CG, CI, CM, GA, GN, GQ, GW, KM, ML, MR, NE, SN, TD, TG).

Declarations under Rule 4.17:

- as to applicant's entitlement to apply for and be granted a patent (Rule 4.17(ii))
- as to the applicant's entitlement to claim the priority of the earlier application (Rule 4.17(iii))
- of inventorship (Rule 4.17(iv))

Published:

- with international search report (Art. 21(3))

SEED DELIVERY APPARATUS, SYSTEMS, AND METHODS

BACKGROUND

[0001] In recent years, the agricultural industry has recognized the need to perform planting operations more quickly due to the limited time during which such planting operations are agronomically preferable or (in some growing seasons) even possible due to inclement weather. However, drawing a planting implement through the field at faster speeds increases the speed of deposited seeds relative to the ground, causing seeds to roll and bounce upon landing in the trench and resulting in inconsistent plant spacing. The adverse agronomic effects of poor seed placement and inconsistent plant spacing are well known in the art.

[0002] As such, there is a need for apparatus, systems and methods of effectively delivering seed to the trench while maintaining seed placement accuracy at both low and high implement speeds.

BRIEF DESCRIPTION OF THE DRAWINGS

[0003] FIG. 1 is a side elevation view of a prior art row unit of an agricultural row crop planter.

[0004] FIG. 2 is a side elevation view of an embodiment of a seed conveyor in cooperation with a seed disc.

[0005] FIG. 3 is a partial side elevation view of an embodiment of a seed conveyor in cooperation with a seed disc.

[0006] FIG. 4 is a partial side elevation view of an embodiment of a seed conveyor depositing seeds in a seed trench.

[0007] FIG. 5 is a schematic illustration of an embodiment of a seed conveyor control system.

[0008] FIG. 6 illustrates an embodiment of a seed conveyor control system.

[0009] FIG. 7 illustrates an embodiment of a process for controlling a seed conveyor.

[0010] FIG. 8 is a side elevation view of an embodiment of a planter row unit in cooperation with an embodiment of a seed conveyor.

[0011] FIG. 9 is a side elevation view of another embodiment of a seed conveyor.

[0012] FIG. 10 is a perspective view of the seed conveyor of FIG. 9.

[0013] FIG. 11 is a perspective view of an embodiment of a pulley.

[0014] FIG. 12 is a side elevation view of the pulley of FIG. 11.

[0015] FIG. 13 is a front elevation view of the pulley of FIG. 11.

[0016] FIG. 14 is a side elevation view of another embodiment of a seed conveyor showing an alternative embodiment loading wheel with sinusoidal fingers.

[0017] FIG. 15 is a perspective view of the loading wheel with sinusoidal fingers of FIG. 14.

[0018] FIG. 16 is an elevation view of an embodiment of a seed sensor.

DESCRIPTION

[0019] Referring now to the drawings, wherein like reference numerals designate identical or corresponding parts throughout the several views, FIG. 1 illustrates a side elevation view of a single row unit 10 of a conventional row crop planter such as the type disclosed in U.S. Patent No. 7,438,006, the disclosure of which is hereby incorporated herein in its entirety by reference. As is well known in the art, the row units 10 are mounted in spaced relation along the length of a transverse toolbar 12 by a parallel linkage 14, comprised of upper and lower parallel arms 16, 18 pivotally mounted at their forward ends to the transverse toolbar 12 and at their rearward end to the row unit frame 20. The parallel linkage 14 permits each row unit 10 to move vertically independently of the toolbar 12 and the other spaced row units in order to accommodate changes in terrain or rocks or other obstructions encountered by the row unit as the planter is drawn through the field.

[0020] The row unit frame 20 operably supports a seed hopper 23, which may be adapted to receive seed from a bulk hopper (not shown), a seed meter 26, and a seed tube 28, as well as a seed trench or seed furrow opener assembly 30, and trench or furrow closing assembly 40. The trench opener assembly 30 comprises a pair of trench opener discs 32 and a pair of gauge wheels

34. The gauge wheels 34 are pivotally secured to the row unit frame 20 by gauge wheel arms 36. A coil spring 49 is disposed between the parallel arms 16, 18 to provide supplemental downforce to ensure that the trench opener discs 32 fully penetrate the soil to the desired depth as set by a depth adjusting member (not shown) and to provide soil compaction for proper trench formation. Rather than a coil spring, supplemental downforce may be provided by actuators or other suitable means such as disclosed in US Patent No. 6,389,999 to Duello, the entire disclosure of which is hereby incorporated herein by reference.

[0021] In operation, as the row unit 10 is lowered to the planting position, the opener discs 32 penetrate into the soil. At the same time, the soil forces the gauge wheels 34 to pivot upwardly until the gauge wheel arms 36 abut or come into contact with the stop position previously set with the trench depth adjusting member (not shown) or until a static load balance is achieved between the vertical load of the row unit and the reaction of the soil. As the planter is drawn forwardly in the direction indicated by arrow 39, the trench opener discs cut a V-shaped trench or furrow 60 into the soil while the gauge wheels 34 compact the soil to aid in formation of the V-shaped trench. Individual seeds 62 from the seed hopper 23 are dispensed by the seed meter 26 into an upper opening in the seed tube 28 in uniformly spaced increments. As seeds 62 fall through the seed tube 28, the seeds move downwardly and rearwardly between the trench opener discs 32 and into the bottom of the V-shaped trench 60. The trench 60 is then covered with soil and lightly compacted by the trench closing assembly 40.

[0022] It should be appreciated that because seeds 62 fall freely through the seed tube 28 in the row unit 10 described above, the path of travel of the seeds and the velocity of the seeds at the exit of the seed tube are relatively unconstrained. It would be preferable to constrain the path of travel of seeds 62 in order to reduce errors in spacing between seeds; i.e., placing seeds in the field at non-uniform spacing. Additionally, it would be preferable to control the velocity of seeds 62 such that the seeds have a decreased horizontal velocity relative to the ground upon landing in the trench 60.

[0023] A seed conveyor 100 is illustrated in FIG. 2. The seed conveyor 100 includes a belt 140 disposed around upper and lower pulleys 152, 154 and preferably driven by the upper pulley 152; in other embodiments the seed conveyor may be driven by the lower pulley 154. The belt 140

includes flights 142. The seed conveyor 100 additionally includes a guide surface 110 disposed adjacent to the flights 142 on one side of the seed conveyor. The seed conveyor 100 preferably includes a backing plate 130 disposed to maintain the position of belt 140.

[0024] In operation, the seed conveyor 100 receives seeds 62 from a seed disc 51 and conveys them to an exit 164. The seed disc 51 is preferably housed in a seed meter 26 similar to that illustrated in FIG. 1 and rotates in a direction indicated by arrow 56 about a shaft 54 rotatably mounted in the seed meter. Turning to FIG. 3, the seed meter 26 is preferably of the vacuum type as is known in the art, such that a vacuum source (not shown) creates a vacuum behind the seed disc 51 (as viewed in FIG. 3), thus creating a pressure differential across apertures 52 in the disc. As the apertures 52 rotate past a pool of seeds in the location generally indicated by reference numeral 58, the pressure differential causes individual seeds 62 to become entrained on each aperture 52 such that the seeds are carried by the disc as illustrated. As the apertures cross a boundary such as axis 196, preferably at approximately the 3 o'clock position of the seed disc 51, the vacuum source is substantially cut off (e.g., by termination of a vacuum seal as is known in the art) such that the seeds 62 are released from the disc as they cross axis 196. Seeds 62 preferably fall from the disc in a substantially vertical fashion along an axis 192. Guide surface 110 includes an angled portion 112, along which each seed 62 slides downward and rearward before passing between two flights 142 at a seed inlet generally indicated by reference numeral 162. Each seed 62 is then conveyed downward by seed conveyor 100.

[0025] The belt 142 is preferably driven at a speed proportional to the groundspeed of the row unit 10 designated by reference "St" (FIG. 4). For example, in some embodiments the seed conveyor 100 is driven such that the linear speed of belt 142 at the bottom of the lower pulley 154 is approximately equal to the groundspeed St.

[0026] As illustrated in FIG. 3, each seed 62 is initially accelerated downward by the flight 142 above the seed. Turning to FIG. 4, as each seed 62 moves downward along the seed conveyor 100, it may fall away from the flight 142 above it. However, as each seed 62 nears the bottom of the seed conveyor, the flights 142 accelerate in order to travel around lower pulley 154 such that the flights 142 contact the seed and impart a rearward horizontal velocity to the seed.

Additionally, an angled portion 114 of the guide surface 110 guides the seed rearward, imparting

a rearward horizontal velocity to the seed. Thus, as the seed 62 exits the seed conveyor at a seed exit generally indicated by reference numeral 164, the seed has a downward vertical velocity component V_y and a horizontal velocity component V_x , the magnitude of which is less than the speed of travel S_t of the row unit 10. It should be appreciated that a smaller horizontal velocity component V_x is preferable because the seed 62 will experience less fore-aft roll as it lands in the trench 60, leading to more uniform seed placement. The angled portion 114 preferably is disposed 20 degrees below horizontal.

[0027] Returning to FIG. 3, it should be appreciated that flights 142 travel faster as they travel around the upper end of upper pulley 152, e.g., above an axis 194. Additionally, the flights 142 have a substantial horizontal velocity component above axis 194. As a result, attempting to introduce seeds 62 between the flights above axis 194 may result in seeds being knocked away from the belt 140. Thus, the seed inlet 162 at which seeds 62 pass between flights 142 is preferably below the axis 194. This result is preferably accomplished by positioning of the axis 196 at which seeds are released from the disc 51 below the axis 194 and/or by configuring angled portion 112 of guide surface such that seeds 62 slide below axis 194 before entering the inlet 162.

[0028] Turning to the embodiment of FIG. 8, a seed conveyor 100 is illustrated in cooperation with a row unit 10. The row unit 10 includes a shank portion 35. The seed conveyor 100 is mounted to the shank portion 35 by attachment ears 106,108.

Conveyor Control Systems and Methods

[0029] A control system 1000 for controlling and monitoring the seed conveyor 100 as well as any other seed conveyor embodiment disclosed herein is illustrated schematically in FIG. 5. The control system 1000 includes a planter monitor 1005. The planter monitor 1005 preferably includes a CPU and user interface, and may comprise a monitor such as that disclosed in Applicant's U.S. Patent No. 8,078,367. The planter monitor 1005 is preferably in electrical communication with a seed conveyor motor 1020. The seed conveyor motor 1020 is operably coupled to the seed conveyor 100 to drive the seed conveyor. For example, in some embodiments the seed conveyor motor 1020 includes a driven output shaft mechanically coupled to a central shaft of the upper pulley 154 or the lower pulley 152. The seed conveyor 1020

preferably includes an encoder (e.g., a hall-effect sensor) for sensing the rotational speed of the conveyor 100. The planter monitor 1005 is preferably in electrical communication with a meter drive motor 27. The meter drive motor 27 may comprise any apparatus known in the art for driving seed meters at a desired speed such as a hydraulic drive or electric drive. As an example, the meter drive motor 27 may comprise an electric motor mounted on or near the seed meter 26, the electric motor having an output shaft operably coupled to the shaft 54 of the seed meter; in such an embodiment, the meter drive motor 27 preferably includes an encoder (e.g., a hall-effect sensor) for sensing the rotational speed of meter 50. The planter monitor 1005 is also preferably in electrical communication with a speed source 1010. The speed source may comprise a GPS system, a radar speed sensor, or a wheel speed sensor. The planter monitor may choose between multiple speed sources by predicting reliability as disclosed in Applicant's International Patent Publication No. WO2012/015,957, incorporated herein in its entirety by reference.

[0030] Continuing to refer to FIG. 5, the planter monitor is preferably in electrical communication with one or more seed sensors adapted for mounting to the seed conveyor 100. The seed sensors may comprise one or more seed sensors. The seed sensors may also be in electrical communication with the meter drive motor 27 and the seed conveyor motor 1020.

[0031] FIG. 16 shows an embodiment of a seed sensor 1600 comprising a plurality of transmitters 1610-1, 1610-2, and 1610-3 transmitting to an associated plurality of receivers 1620-1, 1620-2, and 1620-3. To determine whether there is a seed 62 in seed aperture 52, the signals received at the plurality of receivers can be averaged. Alternatively, the percent transmittance between each pair of transmitter and receiver can be measured and then weighted based on the percent transmittance and then the weighted results can be averaged. This can be useful when a seed is oriented in seed aperture 52 such that the seed 62 does not obstruct all of the plurality of transmitters 1610-1, 1610-2, and 1610-3 and receivers 1620-1, 1620-2, and 1620-3 at the same time. Having a plurality of sensors allows for better determination of whether there is a seed 62 in seed aperture 52.

[0032] Turning to FIG. 6, one embodiment of a planter monitor control system 1000 is illustrated. The planter monitor control system 1000 of FIG. 6 includes a seed sensor 550 mounted to the sidewalls of the seed conveyor 100. The meter drive motor 27 in the planter

monitor control system 1000 of FIG. 6 comprises an electric drive. The speed S_t of seed conveyor 100 is generally to the left along the perspective of FIG. 6 and has a magnitude which varies with the speed and direction of the planting implement.

[0033] A process 1100 for controlling the rotational speed of the seed conveyor 100 is illustrated in FIG. 7. At block 1102 the planter monitor 1005 obtains a speed of the planting implement from the speed source 1010. At block 1103, the planter monitor 1005 preferably obtains the current commanded planting population (i.e., the number of desired seeds planted per acre) from a memory contained within the planter monitor 1005. At block 1105, the planter monitor 1005 preferably commands a rotational speed of meter 50 based on the desired population and the current implement speed.

[0034] Continuing to refer to FIG. 7, at block 1110, the planter monitor 1005 preferably determines an operating speed of the seed conveyor 100. This step may be accomplished using a Hall-effect or other sensor adapted to measure the driving speed of the electric motor or the rotational speed of the driven shaft of the seed conveyor 100. This step may also be accomplished by measuring the time between flights 142 passing the seed sensor 550. It should be appreciated in light of the instant disclosure that step of block 1110 does not require measuring an actual operational speed but may comprise measuring a criterion related to the operational speed.

[0035] Continuing to refer to FIG. 7, at block 1500 the planter monitor 1005 preferably determines the ground speed S_t of the seed conveyor 100. In some embodiments, this step may be accomplished by assuming that the tractor or implement speed reported by the speed source 1010 is equal to the ground speed S_t of the seed conveyor 100. Such a method is accurate when the tractor and toolbar 12 are not turning, but becomes inaccurate when the tractor and toolbar 12 are turning. In other embodiments the step of block 1500 may be performed more accurately by determining the local ground speed S_t of each conveyor 100 along the toolbar 12. Such embodiments are described herein in the section entitled "Conveyor Ground Speed Determination."

[0036] Continuing to refer to FIG. 7 and process 1100, at block 1117 the planter monitor 1005 preferably determines a conveyor motor speed command, e.g., using a calibration curve. The

calibration curve preferably relates the ground speed St to a desired operational speed So . It should be appreciated in light of the instant disclosure that the calibration curve could also relate a criterion related to ground speed (such as a measured voltage or commanded voltage) to a criterion related to a desired conveyor speed (such as a measured voltage or commanded voltage).

[0037] Continuing to refer to FIG. 7 and the process 1100, at block 1120 the planter monitor 1005 preferably commands the new desired conveyor speed. It should be appreciated in light of the instant disclosure that the change in conveyor speed command may be deferred until the actual conveyor speed is outside of a preferred range, e.g. 5%, with respect to the desired conveyor speed.

[0038] Turning to FIGs. 9-10, another embodiment of a seed conveyor assembly 900 is illustrated. As with the loading conveyor embodiments disclosed in Applicant's International Patent Publication No. WO2013/049198, hereby incorporated by reference herein in its entirety, loading wheels 910, 920 are driven in opposing directions in order to grasp seeds from the seed disc of the seed meter and eject the seeds between flights 932 of a conveyor 930 (e.g., an endless conveyor) housed within a housing 980. In the illustrated embodiment, the conveyor 930 comprises a flighted belt as illustrated in FIGs. 9-10. In other embodiments, the conveyor 930 may comprise other structure suited to convey seeds from an upper to lower position such as a brush belt having a plurality of bristles for receiving seeds.

[0039] FIGs. 9 and 10 likewise illustrate an upper pulley 950 about which the conveyor 930 is driven in operation. A cleaning strip 970 is preferably disposed adjacent (e.g., directly axially adjacent) to the upper pulley 950. The cleaning strip 970 preferably extends radially outwardly from the pulley 950. The cleaning strip 970 is preferably arcuate. The cleaning strip 970 preferably extends arcuately forwardly along the direction of rotation of the pulley 950 (e.g., counter-clockwise on the view of FIG. 9). An upper end of the cleaning strip 970 is preferably adjacent to a radially outer surface of a hub portion 959 (FIG. 11) of the pulley 950. In operation, mud or other debris is preferably scraped from the pulley 950 by contact with the cleaning strip 970 as the pulley rotates adjacent to the cleaning strip 970.

[0040] Continuing to refer to FIGs. 9-10, an agitation strip 960 is illustrated. The agitation strip

960 is preferably substantially parallel with (and preferably substantially flush with) an interior wall 982 of the housing 980. The agitation strip 960 preferably includes a plurality of agitation elements 962 which may be arranged in rows 964 (e.g., diagonally-oriented rows as illustrated in FIG. 10). The agitation strip 960 is preferably disposed adjacent to a portion of the conveyor 930 in which seeds are conveyed, e.g., between an entry point at which seeds are introduced by the loading wheels 910, 920 and a release point at which seeds are released from the conveyor into a planting trench. The agitation strip 960 is preferably disposed adjacent to a portion of the conveyor 930 in which seeds are conveyed prior to being sensed by a seed sensor, e.g., between the entry point at which seeds are introduced by the loading wheels 910, 920 and a sensing point at which seeds are detected by a seed sensor. The agitation elements 962 preferably extend toward the conveyor 930. A distal end of each agitation element 962 is preferably directly adjacent to a distal end of the passing flights 932.

[0041] In operation, a seed may occasionally become trapped between the distal end of a flight 932 and an interior wall 982 of the housing 980 after being introduced into the conveyor 930. As the trapped seed is dragged along the interior wall 982, the trapped seed is preferably moved toward and across the surface of the agitation strip 960. Upon making contact with the agitation elements of the agitation strip 960, the trapped seed is preferably agitated (e.g., vibrated, moved) and dislocated from between the flight 932 and the interior wall 982. After being dislocated from between the flight and the interior wall, a partially vertically upward force between the seed and one or more agitation elements preferably urges the seed into one of the flight gaps 933 between the flights of the conveyor 930, preferably the flight gap directly vertically above the flight that had trapped the seed.

[0042] The agitation strip 960 preferably comprises an elastic material (e.g., rubber, polyurethane). The agitation strip 960 is preferably removable, preferably without the use of tools. The agitation strip 960 may be replaced with a one of a plurality of replacement agitation strips. Each replacement agitation strip may differ from the other replacement agitation strips in one or more of the following criteria: (1) agitation element height, (2) agitation element shape, (3) agitation element number, (4) configuration (e.g., pattern) of agitation elements, or (5) material type or properties (e.g., elasticity).

[0043] Referring to FIGs. 9-10, a seed guide 940 is illustrated having a relief portion 942 and an introduction portion 944. The relief portion 942 is preferably disposed radially farther from the pulley 950 (and preferably farther from the conveyor 930) than the introduction portion 944. The relief portion 942 is preferably arcuate, and preferably extends arcuately along a path substantially parallel to the path of a flight 932 passing the relief portion in operation of the conveyor 930. In operation, seeds may slide along the relief portion 942 before contacting the introduction portion 944. Upon contacting the introduction portion 944, the seed is preferably translated (e.g., bumped, urged, forced) in a direction toward the conveyor 930 and is preferably introduced into a flight gap 933 by contact with the introduction portion 944.

[0044] Referring to FIGs. 9-13, an improved upper pulley 950 is illustrated in cooperation with the conveyor 930 for driving the conveyor in operation. The pulley 950 preferably includes a first set of radially arranged pulley teeth 952-1 and a second set of radially arranged pulley teeth 952-2. The pulley teeth 952-1 are preferably separated by a pitch angle B (e.g., 60 degrees). The pulley teeth 952-2 are preferably separated by the same pitch angle B (e.g., 60 degrees). The first set of drive teeth 952-1 and the second set of drive teeth 952-2 are preferably offset from one another by an angular offset A. The angular offset A is preferably one-half of the angular pitch B (e.g., 30 degrees). The first and second sets of pulley teeth are preferably laterally offset by a rim 958.

[0045] In operation, the pulley teeth 952 preferably engage belt gaps 934 disposed between belt teeth 936 to drive the conveyor 930 about the pulley 950. The belt gaps 934 are preferably spaced such that sequential belt gaps 934 along the conveyor 930 are alternately engaged by pulley teeth 952-1 and 952-2. For example, in one embodiment the following steps may take place in chronological order during operation: a first belt gap 934 is engaged by a first pulley tooth of the pulley tooth set 952-1, then a second belt gap 934 (e.g., the next belt gap following the first belt gap) is engaged by a first pulley tooth of the pulley tooth set 952-2, then a third belt gap 934 (e.g., the next belt gap following the second belt gap) is engaged by a second pulley tooth of the pulley tooth set 952-1, then a fourth belt gap 934 (e.g., the next belt gap following third belt gap) is engaged by a second pulley tooth of the pulley tooth set 952-2, and so-on. In operation, pulley gaps 954-1 and 954-2 between the two sets of pulley teeth 952-1, 952-2 are similarly alternately engaged (e.g., non-drivingly engaged) by belt teeth 936. In operation, the

rim 958 is preferably partially received in a longitudinal slot (not shown) provided along the inner side of the conveyor 930 a laterally central position along the length of the conveyor. It should be appreciated that although the pattern of belt teeth 936 and belt gaps 934 are illustrated only along the right hand side of the conveyor 930 (see FIG. 9), in preferred embodiments this pattern continues along the length of the conveyor.

[0046] FIG. 14 is a side elevation view of another embodiment of a seed conveyor 900A which is substantially the same as in the previous embodiment of the seed conveyor 900 shown in FIG. 9, except that in the embodiment of FIG. 14, the seed conveyor 900A utilizes a loading wheel 910A having sinusoidal shaped fingers 911 as best shown in FIG. 15. The sinusoidal shape of the fingers 911 allows for more compression of the fingers 911 when there are larger seeds thereby minimizing potential clogging of the loading wheel 900A.

[0047] The foregoing disclosure is meant to be illustrative and is not intended to be exhaustive or limited to the embodiments, systems and methods described herein. Many modifications and variations will be apparent to those of ordinary skill in the art without departing from the teachings provided. It is intended that the foregoing disclosure, including the claims, be interpreted to embrace all such variations and modifications.

CLAIMS

1. A seed delivery apparatus, comprising:
 - a seed meter configured to entrain seeds on a seed disc and to release said entrained seeds at a seed release location; and
 - a seed conveyor assembly having an upper end disposed to receive the released seed, said seed conveyor assembly including:
 - a seed conveyor having an inner surface and an outer surface, said inner surface having a plurality of inwardly projecting spaced teeth defining sequential belt gaps, said outer surface having a plurality of outwardly projecting spaced flights defining sequential flight gaps which receive the released seed;
 - an upper pulley having a first set of radially arranged pulley teeth and a second set of radially arranged pulley teeth angularly offset from said first set of radially arranged pulley teeth, each of said first and second set of radially arranged pulley teeth alternately engaging said sequential belt gaps.
2. The seed delivery apparatus of claim 1 wherein said first set of pulley teeth and said second set of pulley teeth are laterally offset by a rim.
3. The seed delivery apparatus of claim 2 wherein said inner surface of said seed conveyor includes a slot which receives said rim.
4. The seed delivery apparatus of claim 1 further including a cleaning strip disposed adjacent to said upper pulley to clean debris from said upper pulley.
5. The seed delivery apparatus of claim 4 wherein said cleaning strip extends arcuately forwardly along a direction of rotation of said upper pulley.
6. The seed delivery apparatus of claim 1 further including an agitation strip disposed to agitate seeds conveyed by said conveyor.
7. The seed delivery apparatus of claim 1 further including a loading wheel disposed to introduce said released seeds into said flight gaps of said conveyor.

8. The seed delivery apparatus of claim 1 further including a seed guide disposed to guide said released seeds introduced by said loading wheel into said flight gaps of said seed conveyor, wherein said seed guide includes a relief portion and an introduction portion.

9. The seed delivery apparatus of claim 8 wherein said relief portion is disposed radially farther from the upper pulley than the introduction portion.

10. The seed delivery apparatus of claim 8 wherein said relief portion extends arcuately along a path substantially parallel to the path of said flights passing said relief portion.

11. The seed delivery apparatus of claim 8 wherein said introduction portion urges said seeds in a direction toward said conveyor and into one of said flight gaps.

12. The seed delivery apparatus of claim 7 wherein said loading wheel comprises a plurality of radial fingers.

13. The seed delivery apparatus of claim 12 wherein said fingers have a sinusoidal configuration.

14. The seed delivery apparatus of claim 1 further comprising a seed sensor configured to detect said entrained seeds before said seed release location.

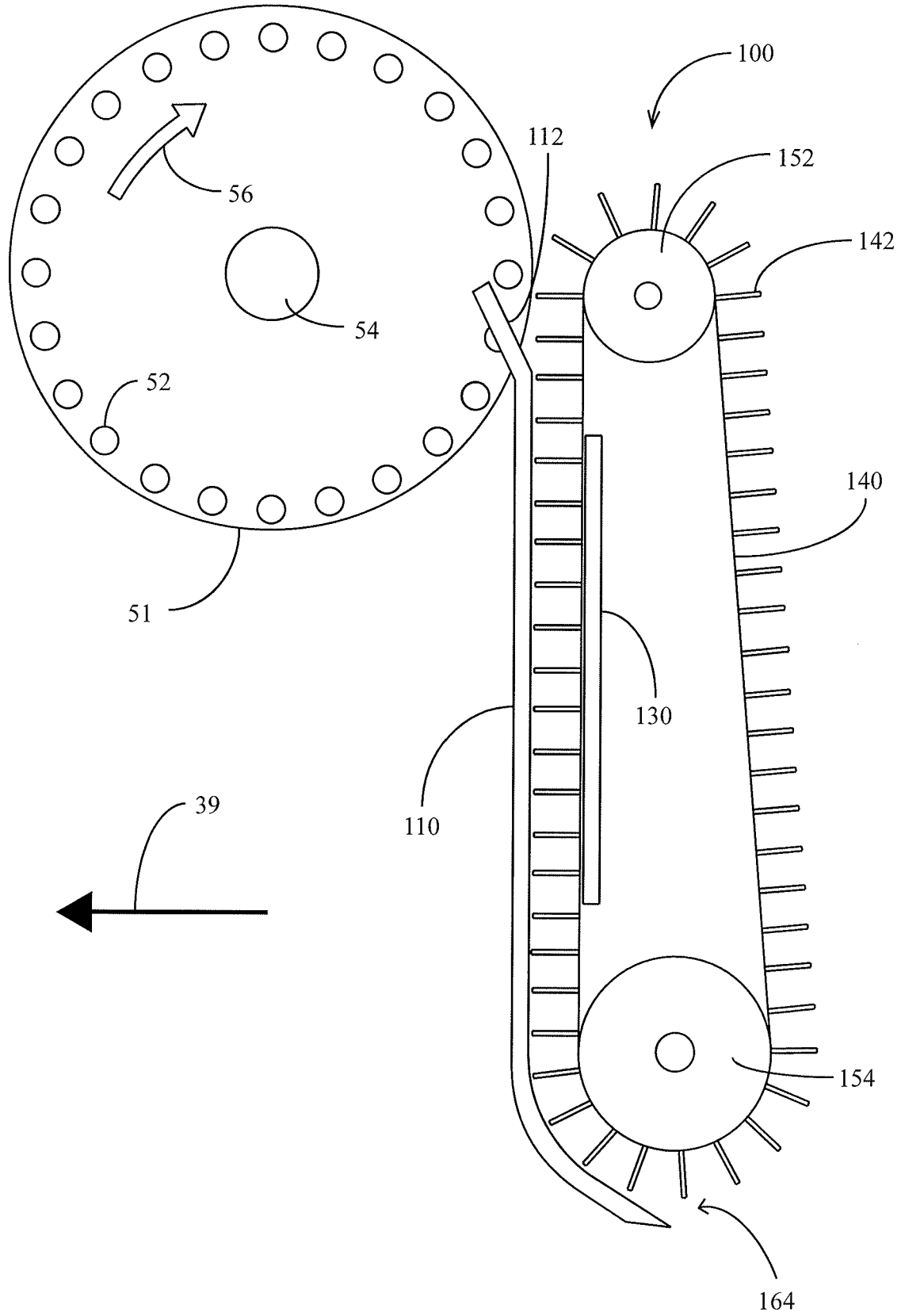


FIG. 2

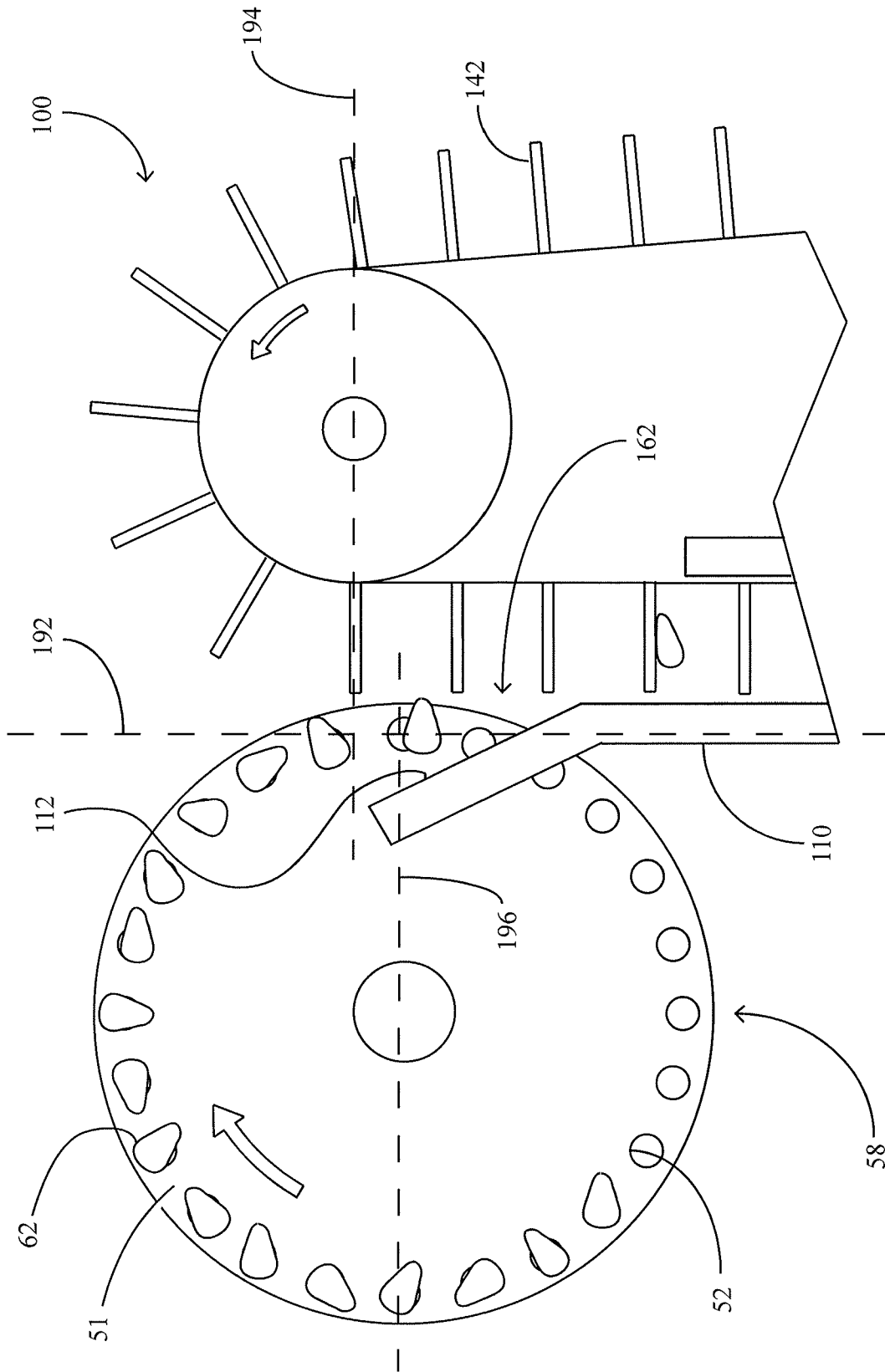


FIG. 3

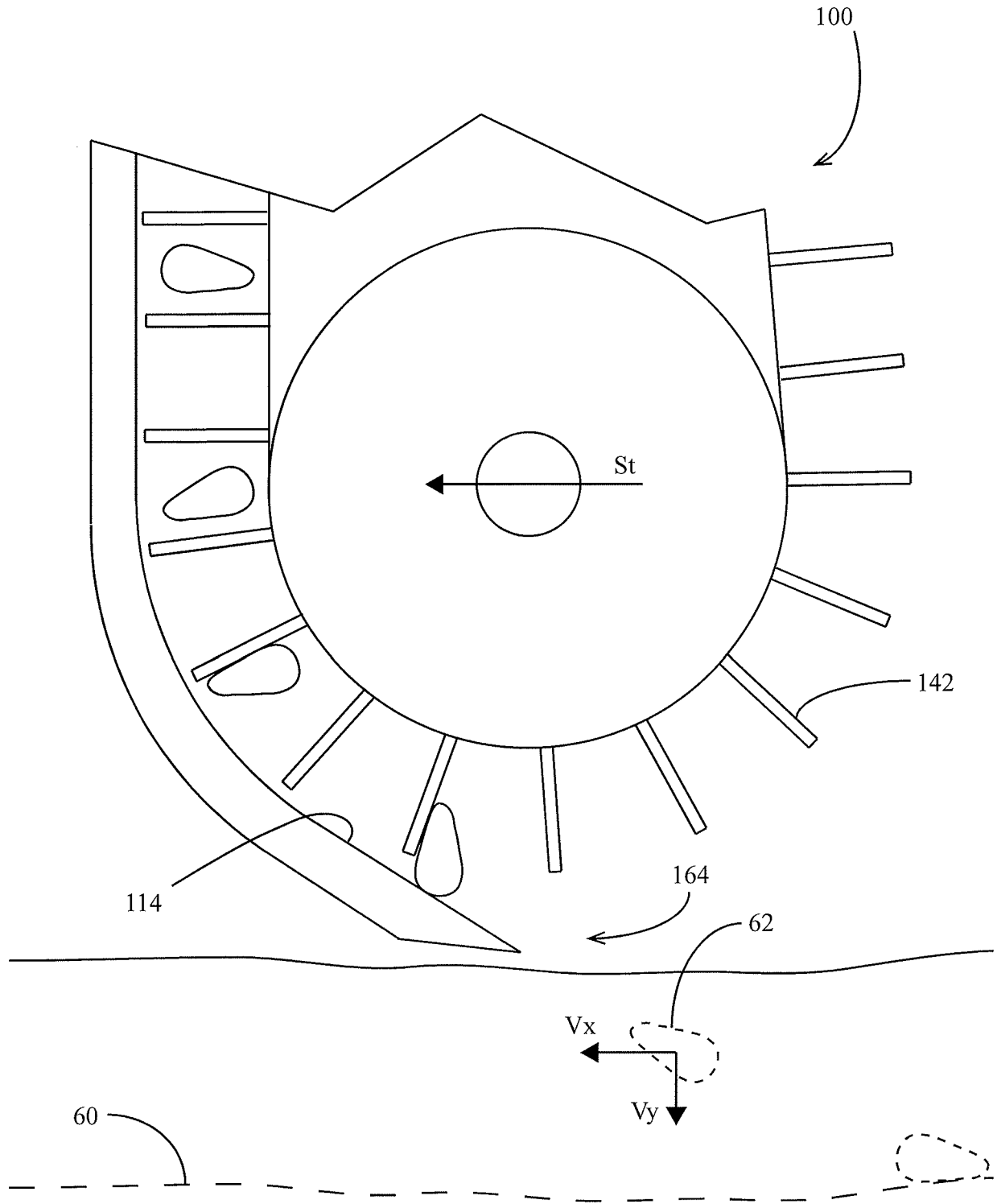


FIG. 4

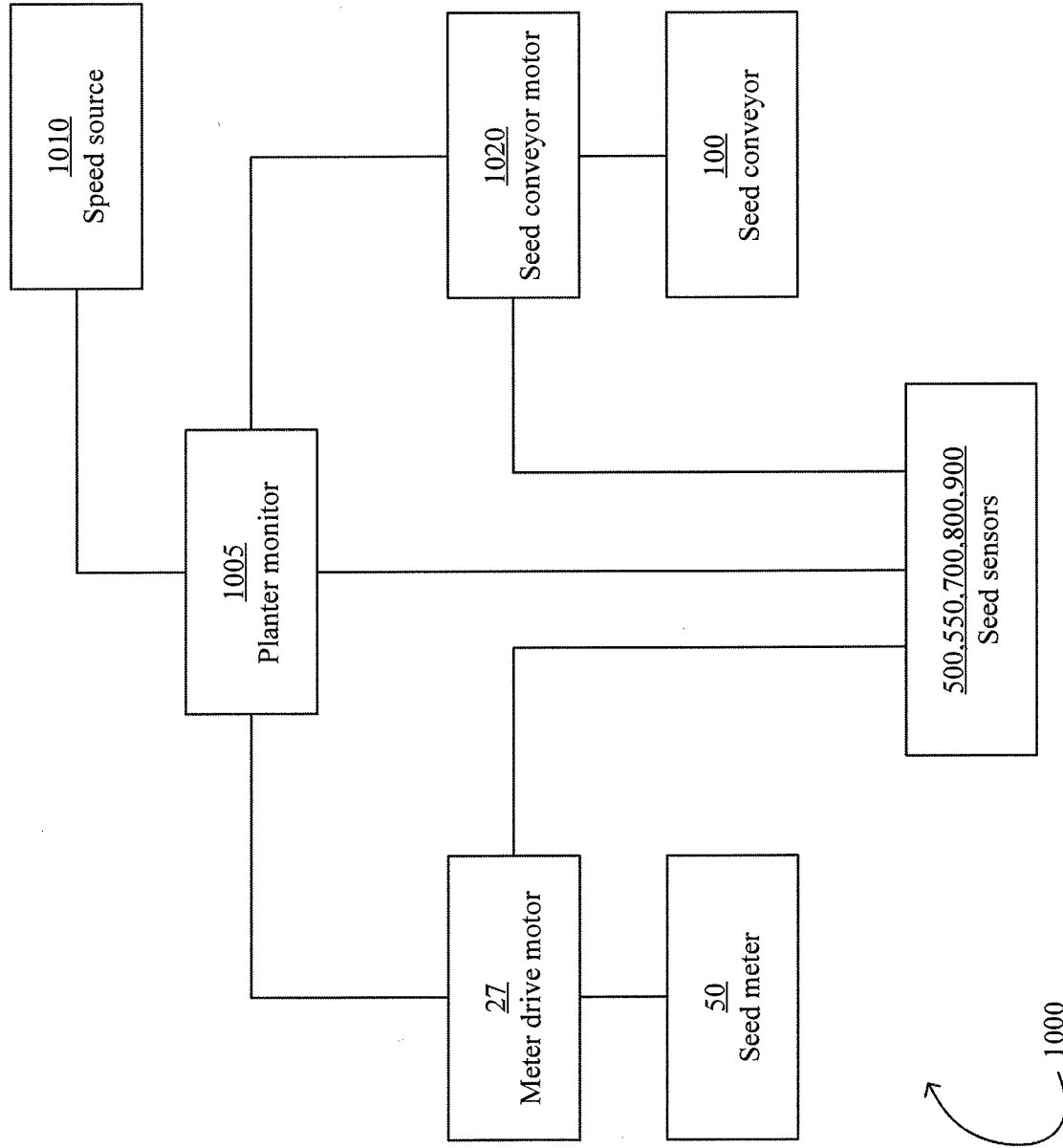


FIG. 5

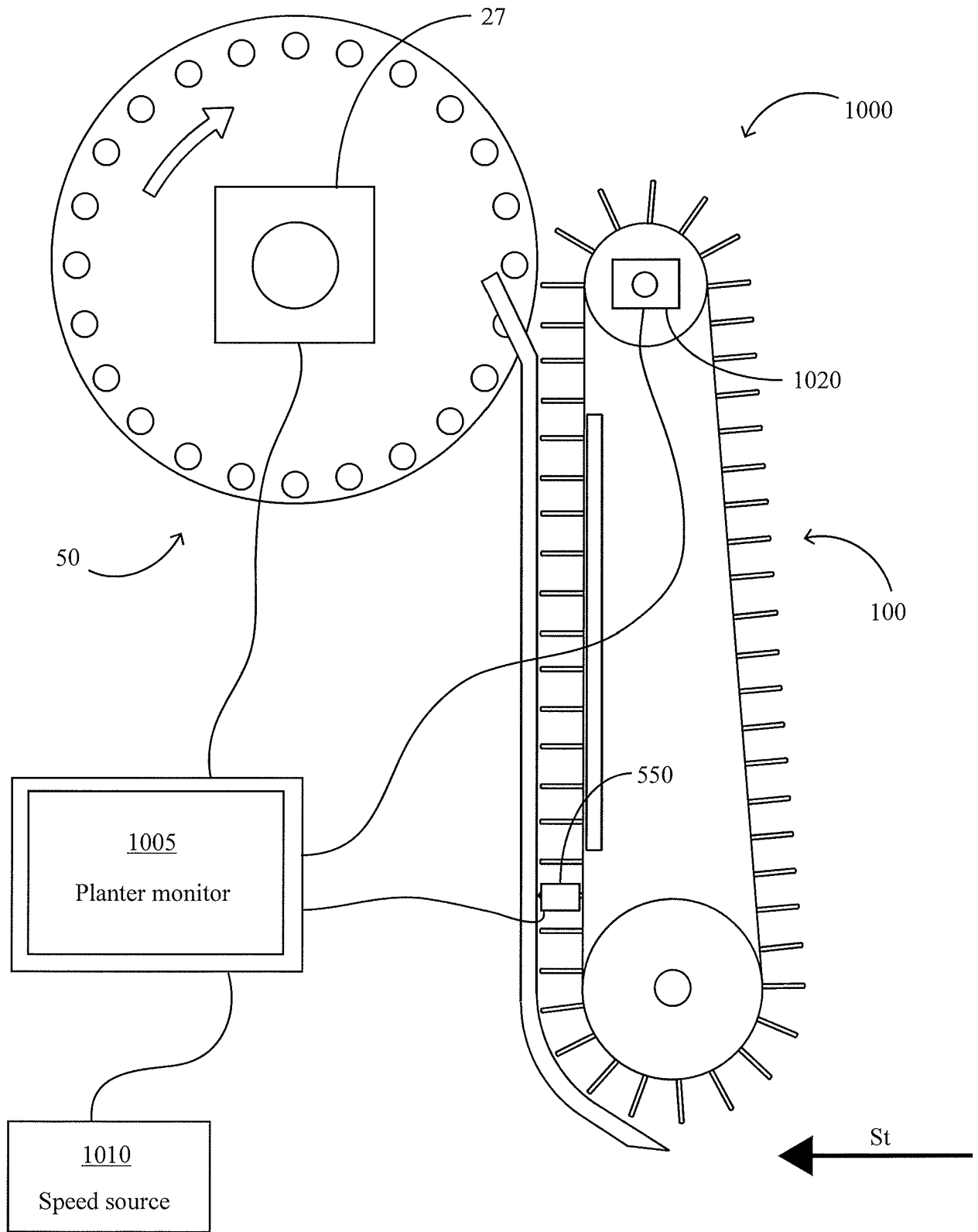


FIG. 6

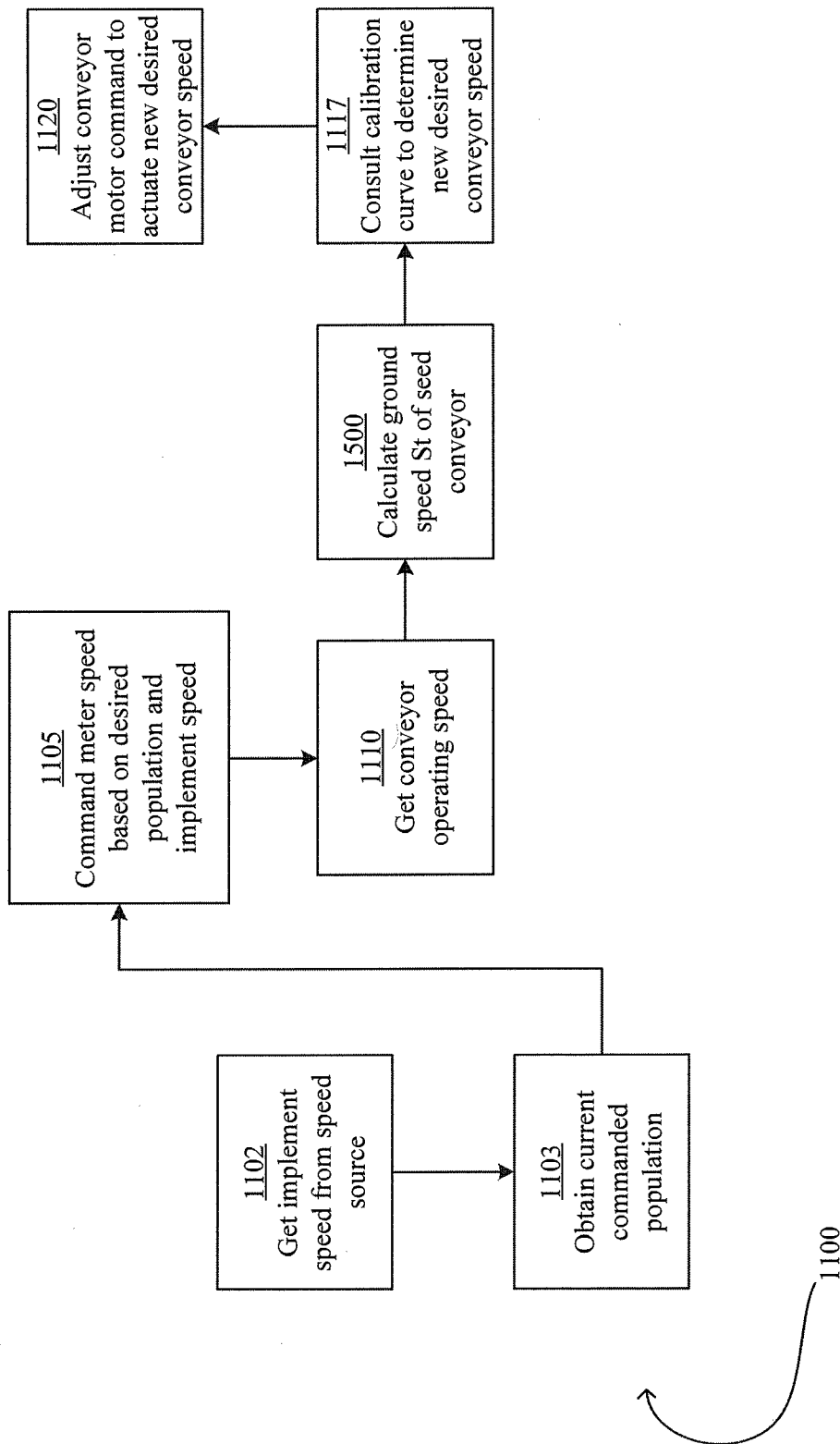


FIG. 7

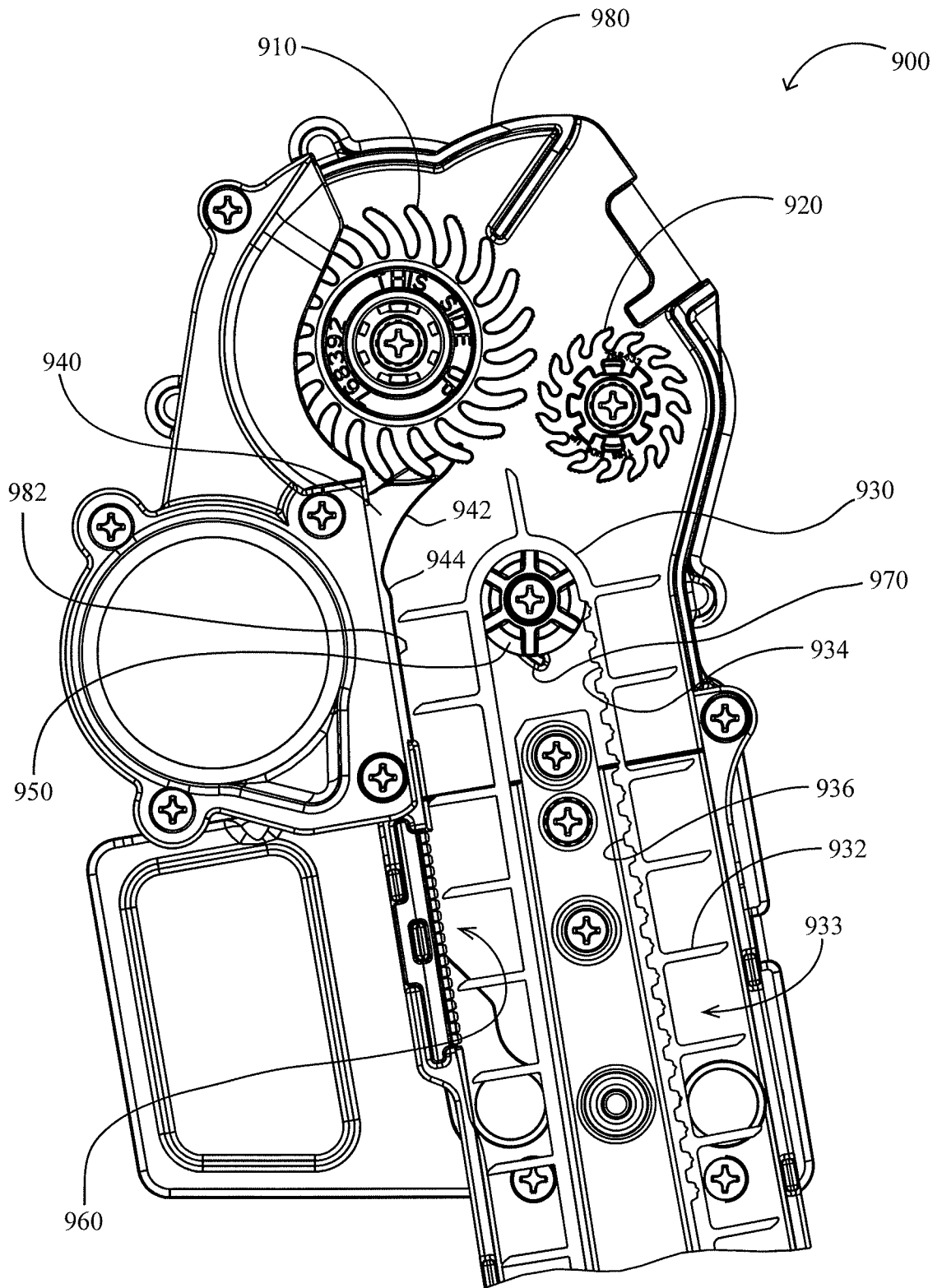


FIG. 9

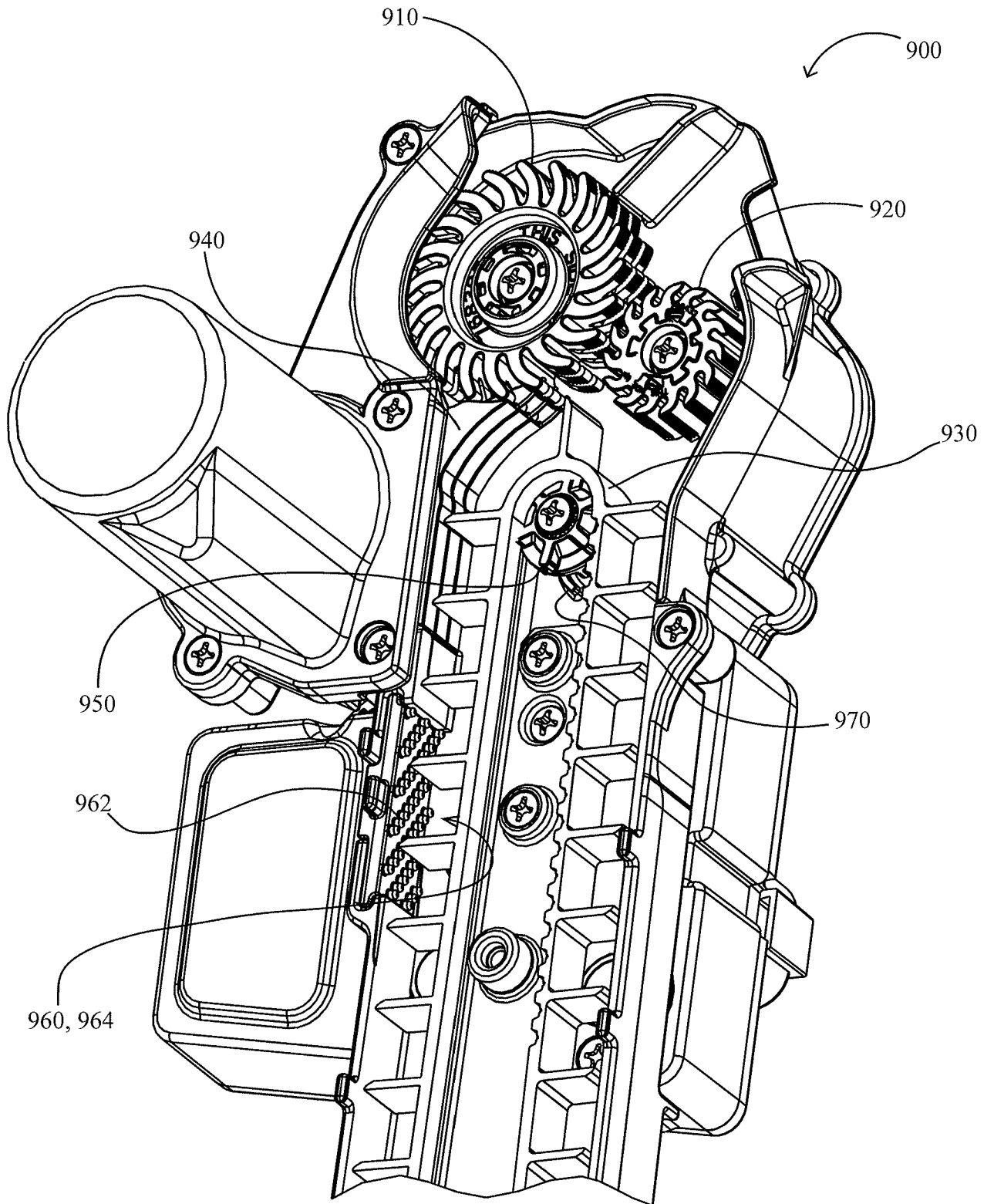


FIG. 10

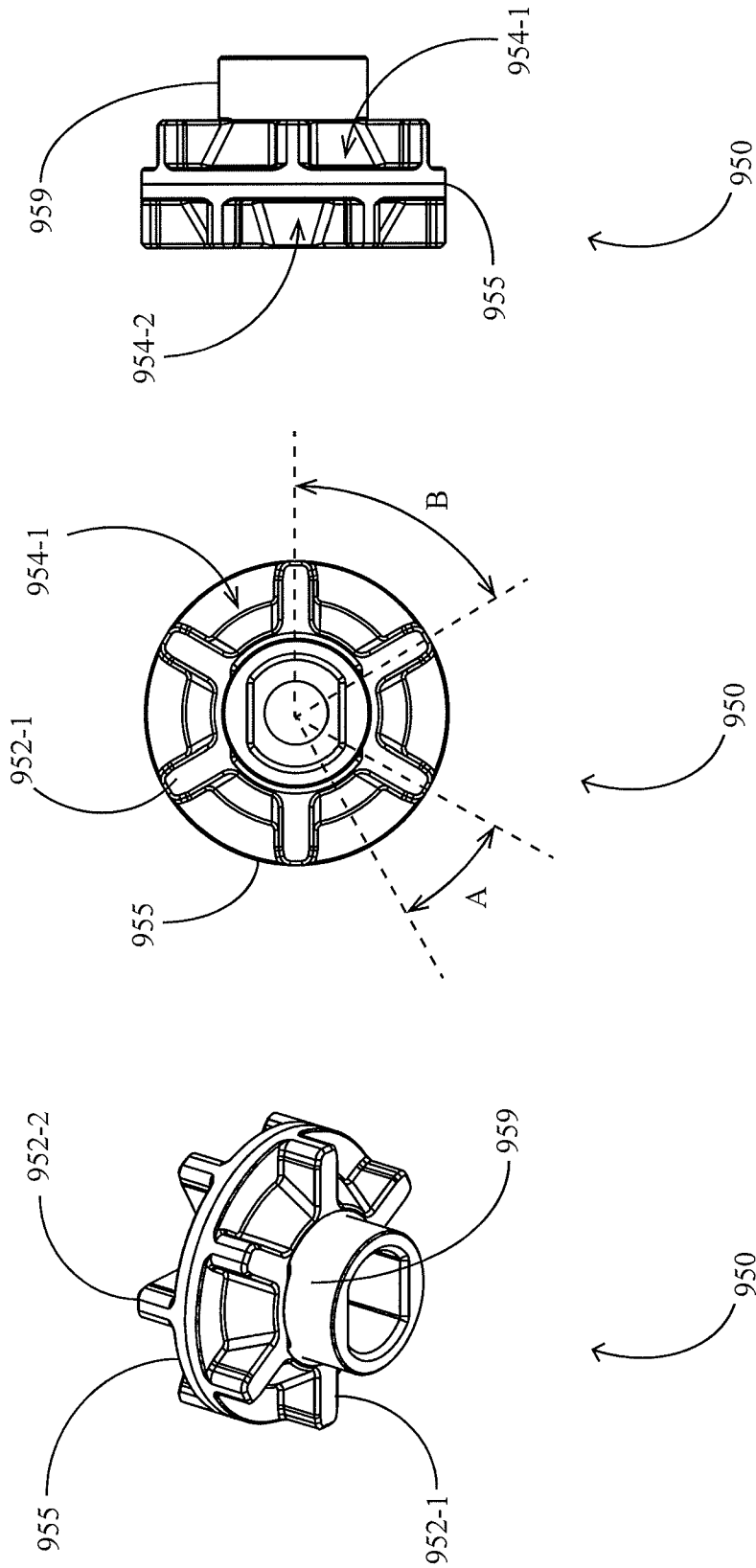


FIG. 13

FIG. 12

FIG. 11

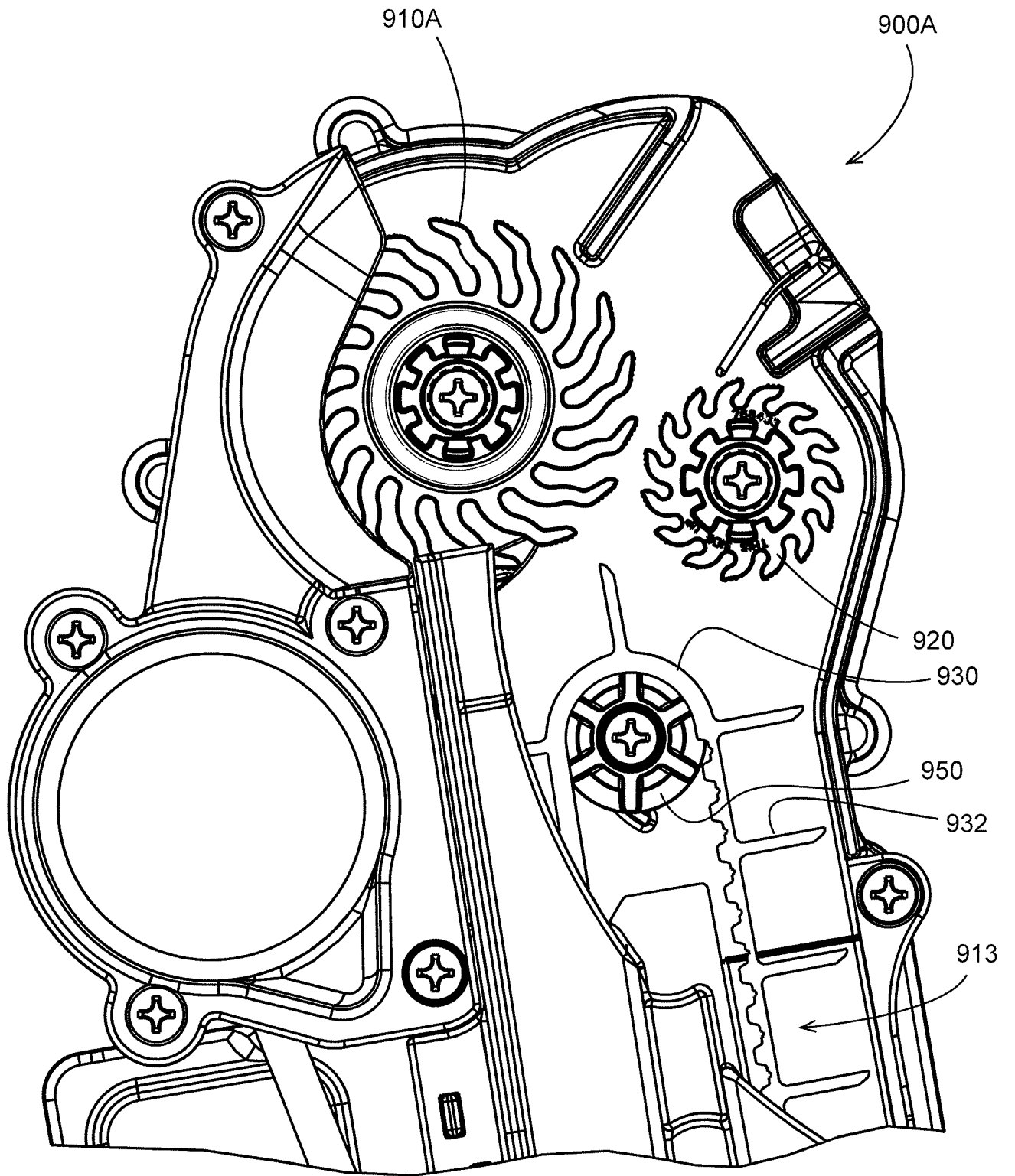


FIG. 14

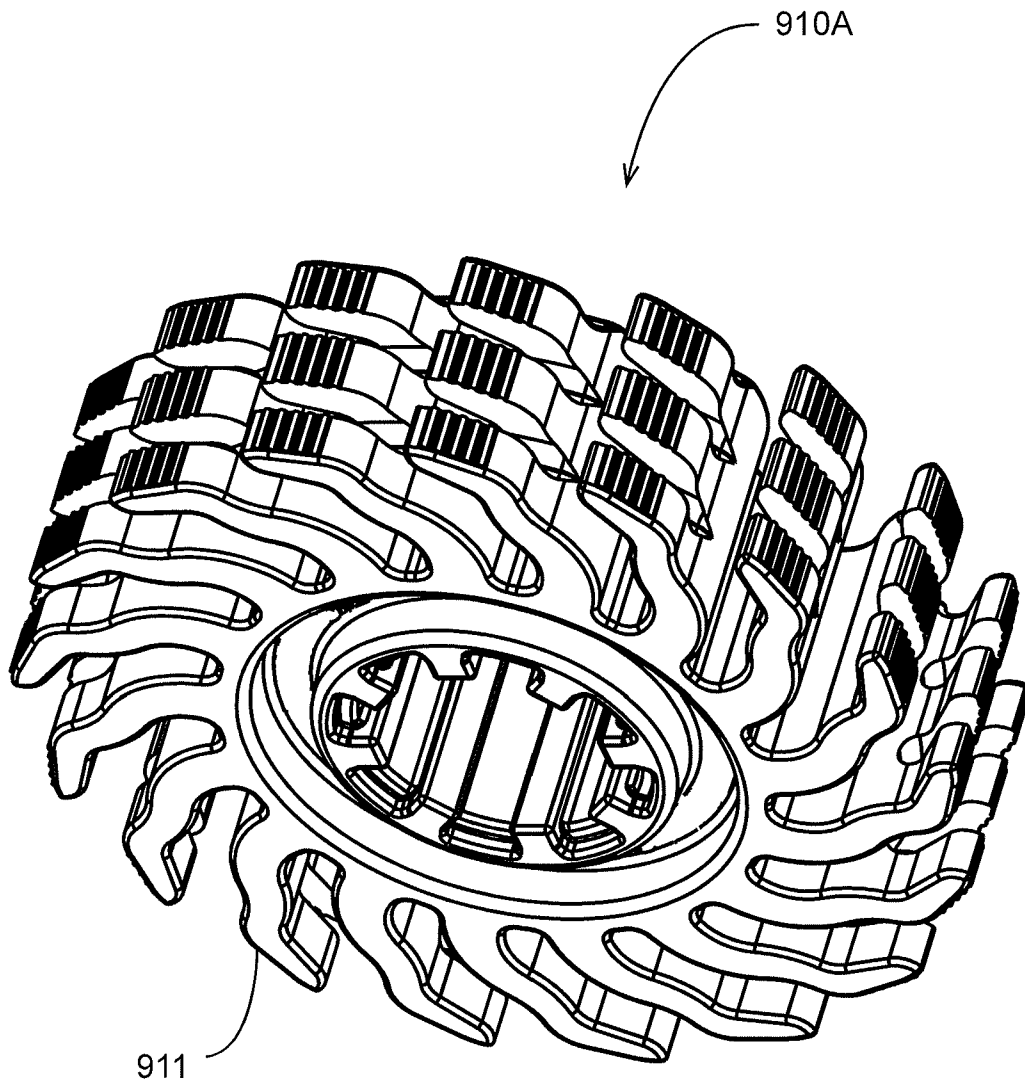


FIG. 15

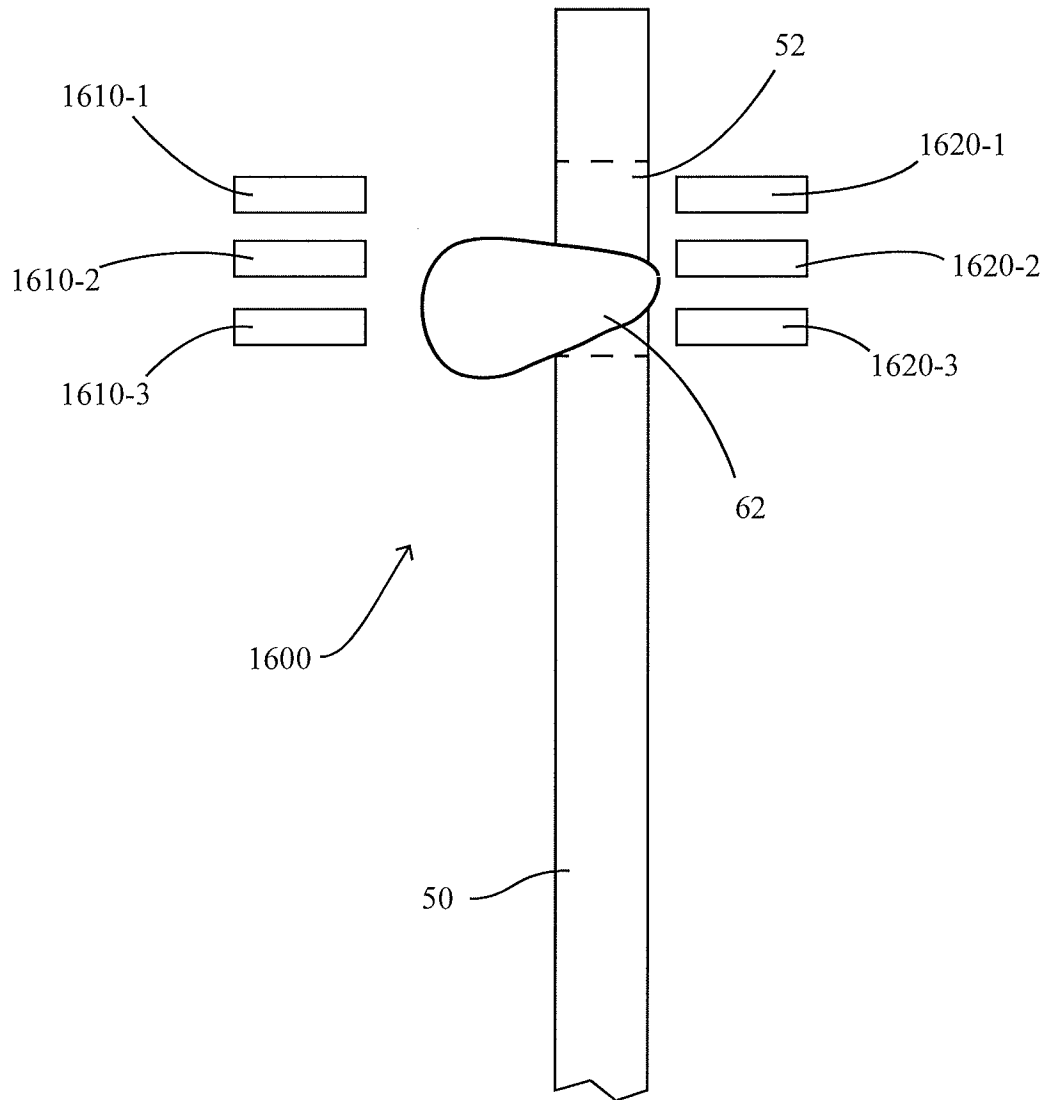


FIG. 16

INTERNATIONAL SEARCH REPORT

International application No.

PCT/US 16/42309

A. CLASSIFICATION OF SUBJECT MATTER IPC(8) - A01C 7/00, A01C 7/04, A01C 7/18, A01C 7/16, A01C 7/20 (2016.01) CPC - A01C 7/00, A01C 7/04, A01C 7/18, A01C 7/16, A01C 7/20, A01C 7/042, A01C 7/044, A01C 7/046 *Supplemental Box* According to International Patent Classification (IPC) or to both national classification and IPC		
B. FIELDS SEARCHED Minimum documentation searched (classification system followed by classification symbols) IPC(8): A01C 7/00, A01C 7/04, A01C 7/18, A01C 7/16, A01C 7/20 (2016.01) CPC: A01C 7/00, A01C 7/04, A01C 7/18, A01C 7/16, A01C 7/20, A01C 7/042, A01C 7/044, A01C 7/046, B65G 23/02, B65G 23/06		
Documentation searched other than minimum documentation to the extent that such documents are included in the fields searched search terms listed below		
Electronic data base consulted during the international search (name of data base and, where practicable, search terms used) PatBase; Google (Patent, Web, Scholar) Search terms used: Seeder conveyor pulley alternating sets of teeth wheel belt drive rollers offset conveyor* precision planting rim* pulley* offset* alternat* tooth gear sow*		
C. DOCUMENTS CONSIDERED TO BE RELEVANT		
Category*	Citation of document, with indication, where appropriate, of the relevant passages	Relevant to claim No.
Y --- A	US 2014/0230705 A1 (Radtke et al.) 21 August 2014 (21.08.2014), entire document, especially Figs. 2B, 12C, paras. 0057, 0082, 0087-0088, 0103	1-3, 6-8, 10-12, 14 ----- 4-5, 9, 13
Y --- A	US 2008/0190462 A1 (Guldenfels et al.) 14 August 2008 (14.08.2008), entire document, especially Fig. 1, paras. 0027-0028	1-3, 6-8, 10-12, 14 ----- 4-5, 9, 13
Y	US 4,634,409 A (Johnson et al.) 06 January 1987 (06.01.1987), entire document, especially col. 5 ln. 4-16; Fig. 5	3
A	WO 2015/031840 A1 (Precision Planting LLC) 05 March 2015 (05.03.2015), entire document	1-14
A	US 2010/192818 A1 (Garner et al.) 05 August 2010 (05.08.2010), entire document	1-14
<input type="checkbox"/> Further documents are listed in the continuation of Box C. <input type="checkbox"/>		
* Special categories of cited documents: "A" document defining the general state of the art which is not considered to be of particular relevance "E" earlier application or patent but published on or after the international filing date "L" document which may throw doubts on priority claim(s) or which is cited to establish the publication date of another citation or other special reason (as specified) "O" document referring to an oral disclosure, use, exhibition or other means "P" document published prior to the international filing date but later than the priority date claimed "T" later document published after the international filing date or priority date and not in conflict with the application but cited to understand the principle or theory underlying the invention "X" document of particular relevance; the claimed invention cannot be considered novel or cannot be considered to involve an inventive step when the document is taken alone "Y" document of particular relevance; the claimed invention cannot be considered to involve an inventive step when the document is combined with one or more other such documents, such combination being obvious to a person skilled in the art "&" document member of the same patent family		
Date of the actual completion of the international search		Date of mailing of the international search report
22 September 2016 (22.09.2016)		06 OCT 2016
Name and mailing address of the ISA/US		Authorized officer:
Mail Stop PCT, Attn: ISA/US, Commissioner for Patents P.O. Box 1450, Alexandria, Virginia 22313-1450 Facsimile No. 571-273-8300		Lee W. Young PCT Helpdesk: 571-272-4300 PCT OSP: 571-272-7774

INTERNATIONAL SEARCH REPORT

International application No.

PCT/US 16/42309

-*-Continuation of Box A. CLASSIFICATION OF SUBJECT MATTER*-*

CPC: B65G 23/02, B65G 23/06