



(43) International Publication Date
16 August 2012 (16.08.2012)

(51) International Patent Classification:

B65G 67/24 (2006.01) *B65G 63/00* (2006.01)
B65G 67/60 (2006.01) *B65G 65/23* (2006.01)
B63B 27/00 (2006.01) *B65G 65/30* (2006.01)
B63B 25/02 (2006.01)

(21) International Application Number:

PCT/AU2012/000127

(22) International Filing Date:

10 February 2012 (10.02.2012)

(25) Filing Language:

English

(26) Publication Language:

English

(30) Priority Data:

2011200552 10 February 2011 (10.02.2011) AU

(71) Applicant (for all designated States except US): **DATA CONSULTANTS PTY LTD** [AU/AU]; 6 Backhouse Street, Wentworth Falls, New South Wales 2782 (AU).

(72) Inventor; and

(75) Inventor/Applicant (for US only): **BRYAN, Michael John** [AU/AU]; 6 Backhouse Street, Wentworth Falls, New South Wales 2782 (AU).

(74) Agent: **WATERMARK PATENT & TRADE MARKS ATTORNEYS**; Level 2, 302 Burwood Road, Hawthorn, Victoria 3122 (AU).

(81) Designated States (unless otherwise indicated, for every kind of national protection available): AE, AG, AL, AM, AO, AT, AU, AZ, BA, BB, BG, BH, BR, BW, BY, BZ, CA, CH, CL, CN, CO, CR, CU, CZ, DE, DK, DM, DO, DZ, EC, EE, EG, ES, FI, GB, GD, GE, GH, GM, GT, HN, HR, HU, ID, IL, IN, IS, JP, KE, KG, KM, KN, KP, KR, KZ, LA, LC, LK, LR, LS, LT, LU, LY, MA, MD, ME, MG, MK, MN, MW, MX, MY, MZ, NA, NG, NI, NO, NZ, OM, PE, PG, PH, PL, PT, QA, RO, RS, RU, RW, SC, SD, SE, SG, SK, SL, SM, ST, SV, SY, TH, TJ, TM, TN, TR, TT, TZ, UA, UG, US, UZ, VC, VN, ZA, ZM, ZW.

(84) Designated States (unless otherwise indicated, for every kind of regional protection available): ARIPO (BW, GH, GM, KE, LR, LS, MW, MZ, NA, RW, SD, SL, SZ, TZ, UG, ZM, ZW), Eurasian (AM, AZ, BY, KG, KZ, MD, RU, TJ, TM), European (AL, AT, BE, BG, CH, CY, CZ, DE, DK, EE, ES, FI, FR, GB, GR, HR, HU, IE, IS, IT, LT, LU, LV, MC, MK, MT, NL, NO, PL, PT, RO, RS, SE, SI, SK, SM, TR), OAPI (BF, BJ, CF, CG, CI, CM, GA, GN, GQ, GW, ML, MR, NE, SN, TD, TG).

[Continued on next page]

(54) Title: PORT INFRASTRUCTURE SYSTEM

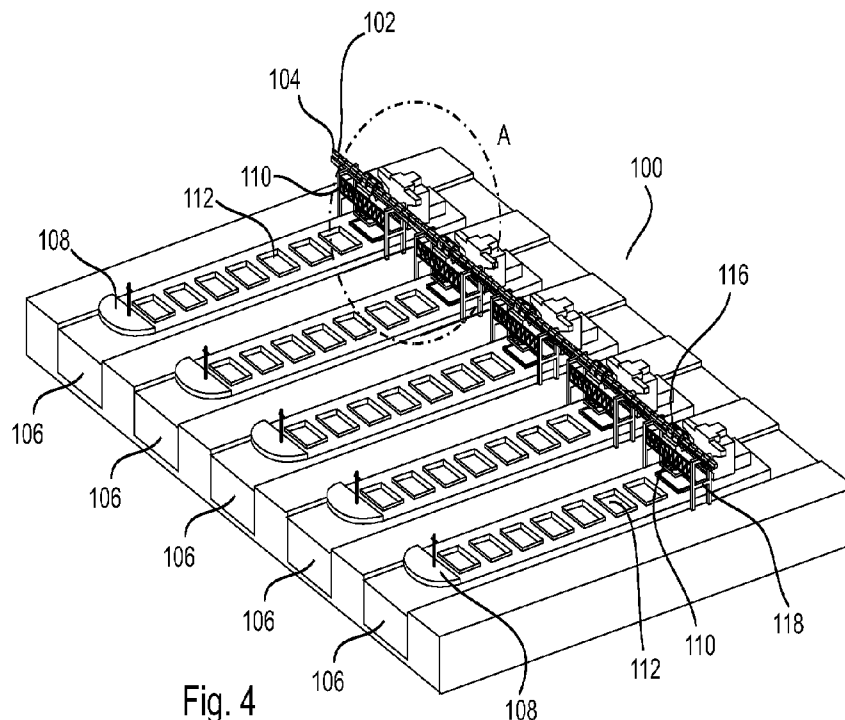


Fig. 4

(57) Abstract: A system and method of transferring bulk material cargo from railway to maritime vessel without the need to stock-pile the material prior to loading. A cargo supply means (102) supports at least one railway track (104) over at least one said vessel (108) in a dock (106). The railway track (104) connects to track of a railway infrastructure for the provision of loaded railway wagons to be unloaded into the hold(s) of the vessel(s). Railway wagon unloading means, such as a rotary tippler (116), unloads the material. The load is directed by a cargo transfer means (110) of the cargo supply means (102) into the hold(s) (112) of the vessel(s) (108).

Published:

— *with international search report (Art. 21(3))*

(88) Date of publication of the international search report:

26 October 2012

INTERNATIONAL SEARCH REPORT

International application No.

PCT/AU2012/000127

A. CLASSIFICATION OF SUBJECT MATTER

B65G 67/24 (OCT 2005) B65G 67/60 (OCT 2005) B63B 27/00 (OCT 2005) B63B 25/02 (OCT 2005)
 B65G 63/00 (OCT 2005) B65G 65/23 (OCT 2005) B65G 65/30 (OCT 2005)

According to International Patent Classification (IPC) or to both national classification and IPC

B. FIELDS SEARCHED

Minimum documentation searched (classification system followed by classification symbols)

Documentation searched other than minimum documentation to the extent that such documents are included in the fields searched

Electronic data base consulted during the international search (name of data base and, where practicable, search terms used)

WPI, EPODOC DATABASES (EPOQUENET):

B65G67/IC/EC OR B65G65/IC/EC OR B65G63/IC/EC OR B65G69/IC/EC OR B63B25/IC/EC OR B63B27/IC/EC; HARBOR+ OR HARBOUR+ OR
 SEA_PORT+ OR PORT+ OR DOCK+ OR WHARF+ OR WHARV+ OR QUAY+ OR PIER+ OR BERTH+ OR MARIN+ OR JETTY? OR JETTI+; (+RAIL+ OR
 TRACK+), (ABOV+ OR OVER_HEAD+ OR ON_TOP+ OR OVER+ OR ATOP+ OR GANTRY+ OR GANTRIES OR +BRIDG+)

ESP@CENET, GOOGLE PATENTS, GENERAL INTERNET KEYWORD SEARCH, USPTO DATABASE: wharf; wharves; wharf+; jetty;
 jett+; rail or railway; track; overhead; above; atop; ontop; bridged or bridging or bridge; dockyard+ or dock+ or port or seaport or ship+
 or ship or hull or load+ or quay; and similar keywords.

C. DOCUMENTS CONSIDERED TO BE RELEVANT

Category*	Citation of document, with indication, where appropriate, of the relevant passages	Relevant to claim No.
	Documents are listed in the continuation of Box C	



Further documents are listed in the continuation of Box C



See patent family annex

* Special categories of cited documents:		
"A" document defining the general state of the art which is not considered to be of particular relevance	"T"	later document published after the international filing date or priority date and not in conflict with the application but cited to understand the principle or theory underlying the invention
"E" earlier application or patent but published on or after the international filing date	"X"	document of particular relevance; the claimed invention cannot be considered novel or cannot be considered to involve an inventive step when the document is taken alone
"L" document which may throw doubts on priority claim(s) or which is cited to establish the publication date of another citation or other special reason (as specified)	"Y"	document of particular relevance; the claimed invention cannot be considered to involve an inventive step when the document is combined with one or more other such documents, such combination being obvious to a person skilled in the art
"O" document referring to an oral disclosure, use, exhibition or other means	"&"	document member of the same patent family
"P" document published prior to the international filing date but later than the priority date claimed		

Date of the actual completion of the international search 29 June 2012	Date of mailing of the international search report 03 July 2012
Name and mailing address of the ISA/AU AUSTRALIAN PATENT OFFICE PO BOX 200, WODEN ACT 2606, AUSTRALIA Email address: pct@ipaustalia.gov.au Facsimile No.: +61 2 6283 7999	Authorized officer Peter Ellis AUSTRALIAN PATENT OFFICE (ISO 9001 Quality Certified Service) Telephone No. +61 02 6225 6106

INTERNATIONAL SEARCH REPORT		International application No.
C (Continuation). DOCUMENTS CONSIDERED TO BE RELEVANT		PCT/AU2012/000127
Category*	Citation of document, with indication, where appropriate, of the relevant passages	Relevant to claim No.
X	RU 2268225 C1 (ST PETERSBURG PLEKHANOV MINING INST. [RU]) 20 January 2006 English abstract retrieved from EPODOC database. See English Language Abstract, and all figures of the Russian Language document.	1- 20
X	CN 101492129 A (SHIYING, FENG [CN]) 29 July 2009 English abstract retrieved from EPODOC database. See English Language Abstract, and all figures of the Chinese Language document.	1- 20
X	US 6524050 B1 (ARNTZEN et al.) 25 February 2003 See whole document, most notably the figures.	21- 23
X	WO 1994/011287 A1 (AVECO INFRASTRUCTURE CONSULTANTS B.V. [NL] et al.) 26 May 1994 See whole document, most notably the figures.	21, 22

INTERNATIONAL SEARCH REPORT

Information on patent family members

International application No.

PCT/AU2012/000127

This Annex lists known patent family members relating to the patent documents cited in the above-mentioned international search report. The Australian Patent Office is in no way liable for these particulars which are merely given for the purpose of information.

Patent Document/s Cited in Search Report		Patent Family Member/s	
Publication Number	Publication Date	Publication Number	Publication Date
RU 2268225 C1	20 Jan 2006	None	
CN 101492129 A	29 Jul 2009	CN 101492129 A	29 Jul 2009
		CN 101492129 B	30 Mar 2011
US 6524050 B1	25 Feb 2003	AU 2994699 A	27 Sep 1999
		CA 2322574 A1	16 Sep 1999
		EP 1062138 A1	27 Dec 2000
		EP 1062138 B1	23 Jul 2008
		HK 1033750 A1	09 Apr 2009
		US 6524050 B1	25 Feb 2003
		US 2002197135 A1	26 Dec 2002
		US 6802684 B2	12 Oct 2004
		WO 9946154 A1	16 Sep 1999
WO 1994/011287 A1	26 May 1994	AU 5659794 A	08 Jun 1994
		EP 0666826 A1	16 Aug 1995
		EP 0666826 B1	02 Jul 1997
		NL 9201958 A	01 Jun 1994
		WO 9411287 A1	26 May 1994

End of Annex