



US00D702109S

(12) **United States Design Patent**
Weinberg

(10) **Patent No.:** **US D702,109 S**

(45) **Date of Patent:** **** Apr. 8, 2014**

(54) **CORD MANAGEMENT CLIP**

(75) Inventor: **Robert Weinberg**, Spring Grove, IL (US)

(73) Assignee: **Allegiance Corporation**, McGaw Park, IL (US)

(**) Term: **14 Years**

(21) Appl. No.: **29/427,139**

(22) Filed: **Jul. 13, 2012**

(51) **LOC (10) Cl.** **08-05**

(52) **U.S. Cl.**
USPC **D8/356**

(58) **Field of Classification Search**
USPC 24/592.11, 599.1, 588.1, 601.5, 601, 24/599.9, 598.1, 599.6, 452, 129 R, 600.9; D8/356, 354, 372, 367, 1, 382, 395; 63/8, 7, 12, 15, 1.14; D12/317; D6/323; 248/301-304, 175, 63; 70/59; 402/35; 114/218, 114; 294/137, 158, 294/82.19; 410/101; 182/3; D11/210; D9/752; D19/32; D3/207

See application file for complete search history.

D493,092 S *	7/2004	Kalat	D8/367
7,214,171 B2 *	5/2007	Thelen et al.	482/124
D577,574 S *	9/2008	Liang	D8/367
D594,738 S *	6/2009	Kelleghan	D8/356
D603,293 S *	11/2009	Merriam-Smith	D11/200
D607,712 S *	1/2010	Kelleghan	D8/356
D612,710 S *	3/2010	Kelleghan	D8/356
D626,393 S *	11/2010	Ormsbee	D8/34
D631,332 S *	1/2011	Bauer et al.	D8/367
D631,333 S *	1/2011	Bauer et al.	D8/367
D637,473 S *	5/2011	Mitchell	D8/336
D646,556 S *	10/2011	Kelleghan	D8/356
D669,764 S *	10/2012	Kelleghan	D8/356
D684,845 S *	6/2013	Wood	D8/356
D686,058 S *	7/2013	Paik et al.	D8/356
D688,118 S *	8/2013	Hobson	D8/356
2005/0087662 A1 *	4/2005	Jacobs	248/339
2007/0119891 A1 *	5/2007	Lawrence	224/669
2009/0000086 A1 *	1/2009	Bing	24/592.11

* cited by examiner

Primary Examiner — Cynthia Underwood
(74) *Attorney, Agent, or Firm* — Arent Fox LLP

(57) **CLAIM**
The ornamental design for a cord management clip, as shown and described.

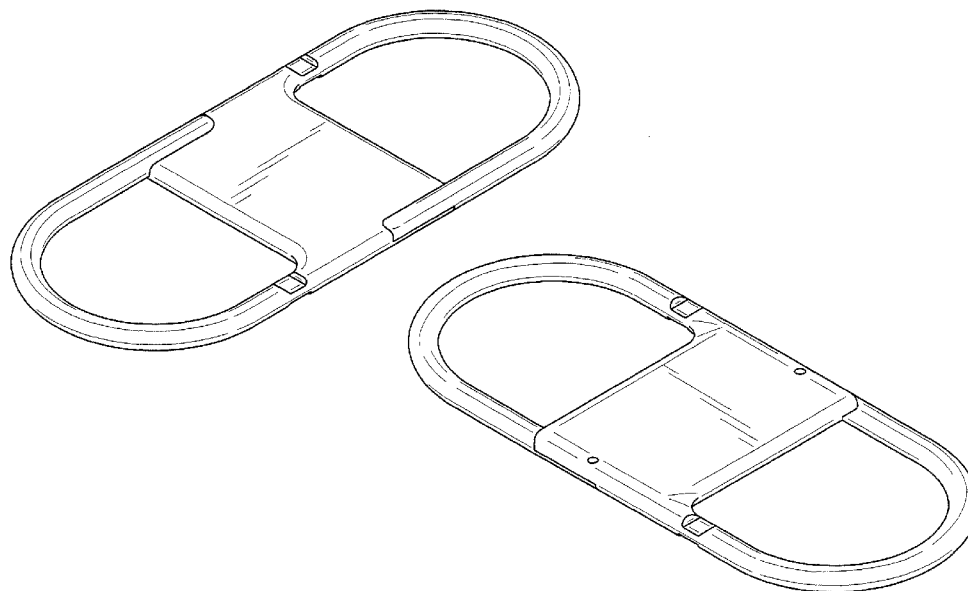
DESCRIPTION

FIG. 1 is a top perspective view of a cord management clip showing my new design, according to a first embodiment; FIG. 2 is a bottom perspective view of the design shown in FIG. 1; FIG. 3 is a front view of the design shown in FIG. 1; FIG. 4 is a back view of the design shown in FIG. 1; FIG. 5 is a left side view of the design shown in FIG. 1; FIG. 6 is a right side view of the design shown in FIG. 1; FIG. 7 is a top view of the design shown in FIG. 1; and FIG. 8 is a bottom view of the design shown in FIG. 1.

1 Claim, 3 Drawing Sheets

(56) **References Cited**
U.S. PATENT DOCUMENTS

437,380 A *	9/1890	Lundborg	24/600.9
2,064,133 A *	12/1936	Von Schroeder	248/214
3,630,475 A *	12/1971	Barry	248/215
D244,910 S *	7/1977	Chasen et al.	D8/367
D271,466 S *	11/1983	Boissonnet	D8/367
D292,385 S *	10/1987	Udelhofen	D11/210
D323,104 S *	1/1992	Russell et al.	D8/370
D425,781 S *	5/2000	Hopper	D8/382
D466,791 S *	12/2002	Kelleghan	D8/356
D468,997 S *	1/2003	Chang	D8/356



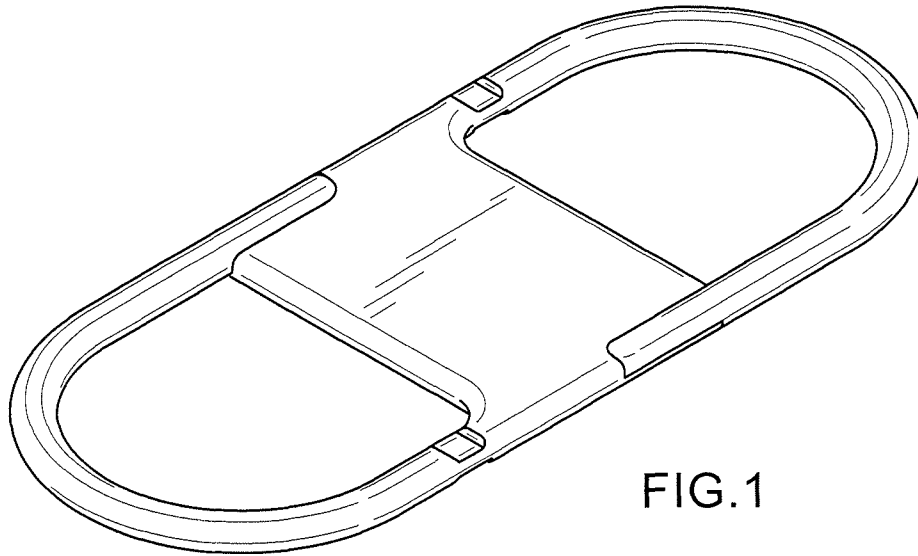


FIG. 1

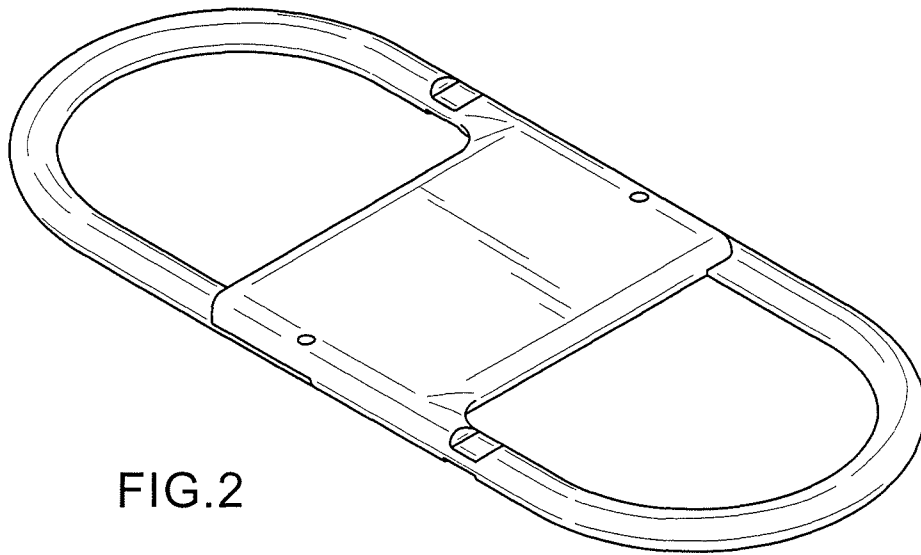


FIG. 2

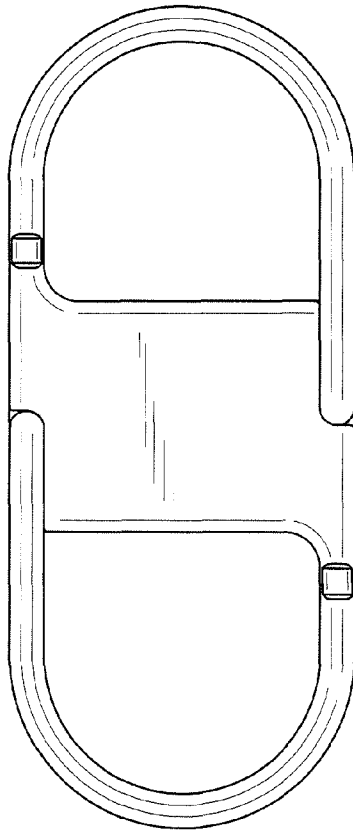


FIG. 3

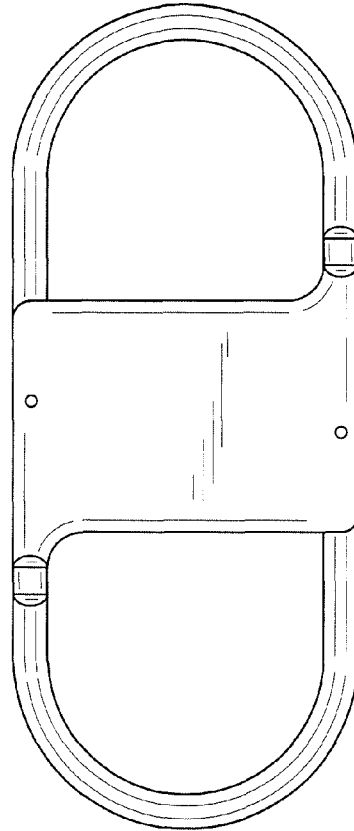


FIG. 4



FIG. 5

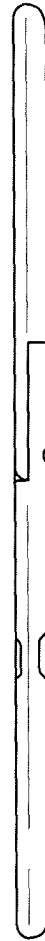


FIG. 6



FIG. 7



FIG. 8