



US00D925293S

(12) **United States Design Patent**  
**Joseph**

(10) **Patent No.:** **US D925,293 S**

(45) **Date of Patent:** **\*\* Jul. 20, 2021**

- (54) **PAN LID RACK**
- (71) Applicant: **JOSEPH JOSEPH LTD.**, London (GB)
- (72) Inventor: **Antony Joseph**, London (GB)
- (73) Assignee: **Joseph Joseph Ltd.**, London (GB)
- (\*\*) Term: **15 Years**
- (21) Appl. No.: **29/699,129**
- (22) Filed: **Jul. 23, 2019**

D230,675 S *	3/1974	Wilkins	.....	D6/526
D286,120 S *	10/1986	Szablak	.....	D6/553
D301,101 S *	5/1989	Meyer	.....	D6/553
4,936,536 A *	6/1990	Meneghello	.....	A47J 47/16
				248/309.1
D689,550 S *	9/2013	Rodgers	.....	D19/90
8,695,844 B1 *	4/2014	Molayem	.....	A47J 36/12
				220/744
8,740,159 B2 *	6/2014	Braun	.....	A47J 43/287
				248/176.2
2010/0193523 A1 *	8/2010	Beisheim	.....	A47J 36/12
				220/379

\* cited by examiner

*Primary Examiner* — Terry A Wallace

(74) *Attorney, Agent, or Firm* — Millen, White, Zelano & Branigan, PC; Ryan Pool

(30) **Foreign Application Priority Data**

Jan. 23, 2019 (EM) ..... 006082186-0005

(51) **LOC (13) Cl.** ..... **07-99**

(52) **U.S. Cl.**  
USPC ..... **D7/601**

(58) **Field of Classification Search**  
USPC ..... D7/601, 637-641; D6/553, 554, 573  
CPC ..... A47G 29/00; A47G 29/08; A47G 29/087;  
A47G 7/044; A47J 36/12; A47J 47/16;  
A47J 47/00; A47J 43/287  
See application file for complete search history.

(57) **CLAIM**

The ornamental design for a pan lid rack, as shown and described.

**DESCRIPTION**

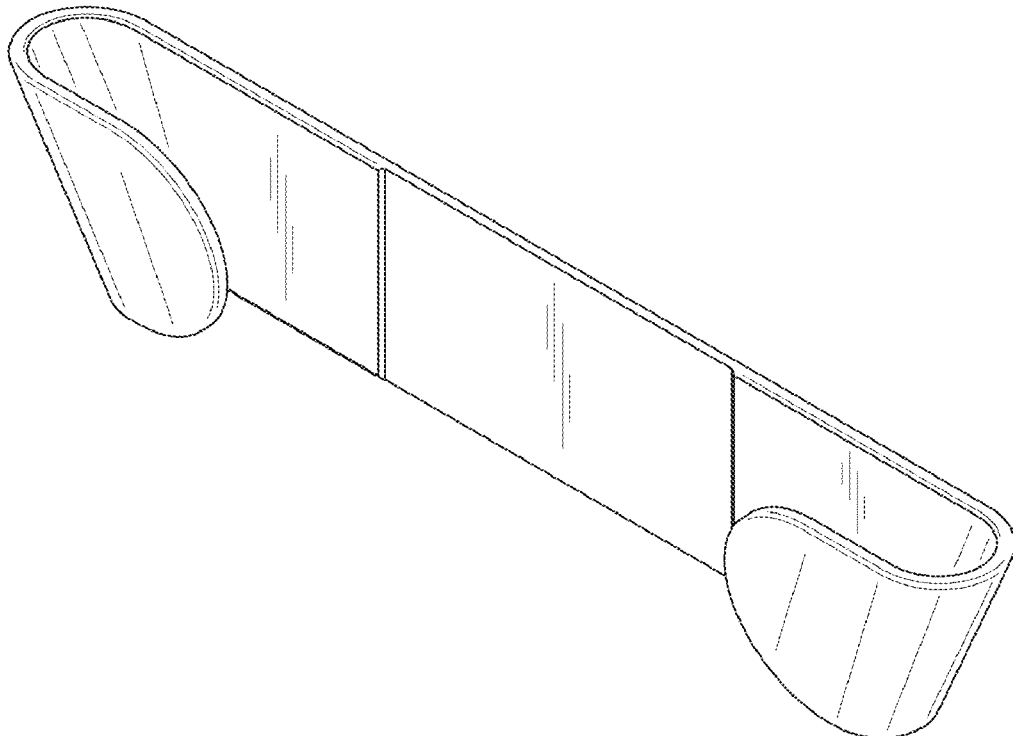
FIG. 1 is a perspective view of the pan lid rack showing my new design.  
FIG. 2 is a front view thereof.  
FIG. 3 is a back view thereof.  
FIG. 4 is a top view thereof.  
FIG. 5 is bottom side view thereof.  
FIG. 6 is a side view thereof; and,  
FIG. 7 is another side view thereof.  
The broken lines in the drawings illustrate portions of the pan lid rack which form no part of the claimed design.

(56) **References Cited**

**U.S. PATENT DOCUMENTS**

1,390,766 A *	9/1921	Cunningham	.....	A47J 36/12
				220/744
3,090,491 A *	5/1963	Bohr	.....	A47B 81/067
				211/40

**1 Claim, 7 Drawing Sheets**



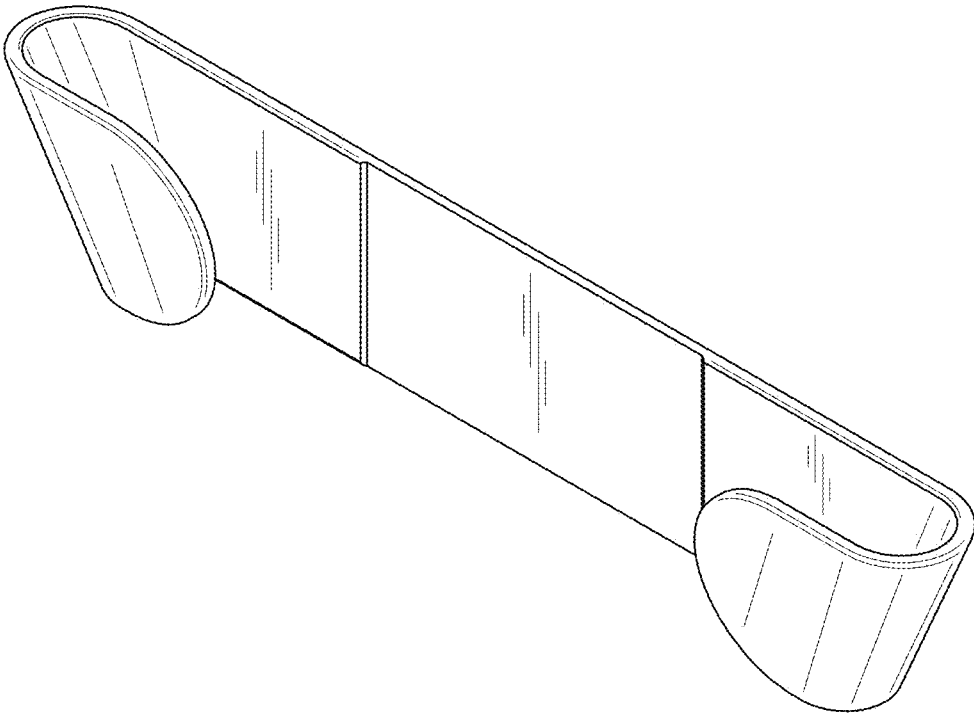


FIG. 1

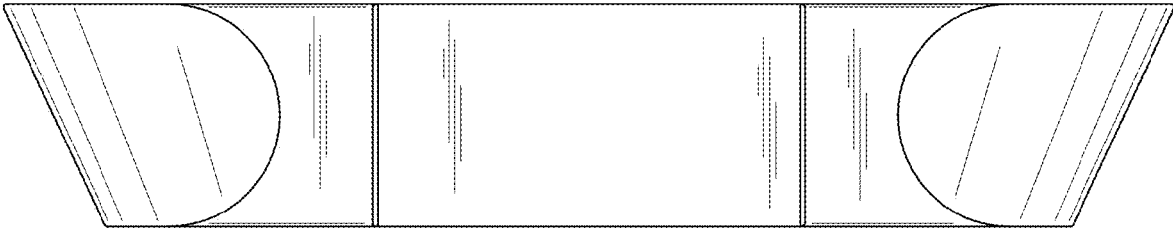


FIG. 2

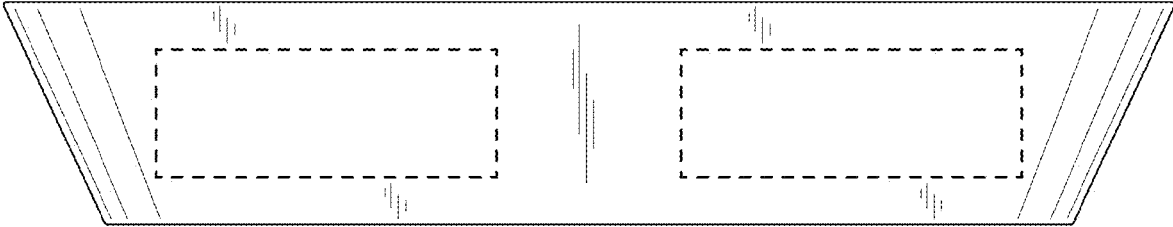


FIG. 3

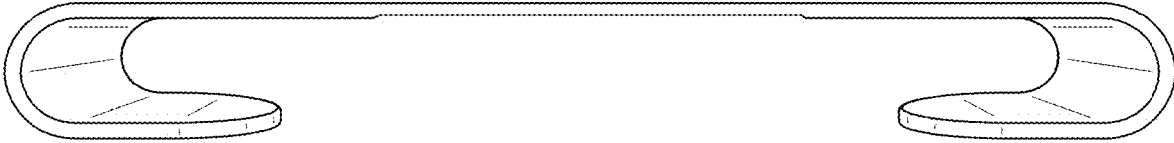


FIG. 4

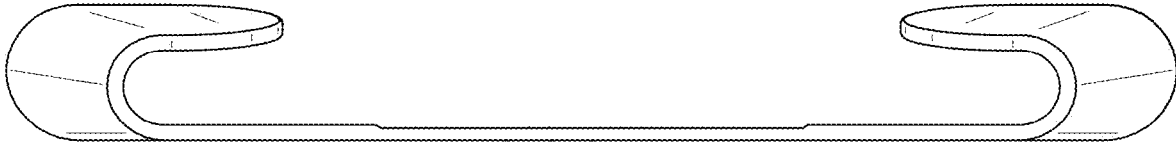


FIG. 5

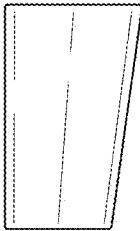


FIG. 6



FIG. 7