



US00D744949S

(12) **United States Design Patent**
Manhart et al.

(10) **Patent No.:** **US D744,949 S**

(45) **Date of Patent:** **** Dec. 8, 2015**

(54) **CONNECTION OF TWO ANGLED BUS BARS**

(71) Applicant: **SAI Advanced Power Solutions,**
Elmhurst, IL (US)

(72) Inventors: **James S. Manhart,** Chicago, IL (US);
John Ryan, Island Lake, IL (US)

(73) Assignee: **SAI ADVANCED POWER**
SOLUTIONS, Elmhurst, IL (US)

(**) Term: **14 Years**

(21) Appl. No.: **29/437,940**

(22) Filed: **Nov. 21, 2012**

(51) **LOC (10) Cl.** **13-03**

(52) **U.S. Cl.**

USPC **D13/121; D8/349**

(58) **Field of Classification Search**

USPC D8/349, 364, 366, 354, 363; D13/121,
D13/154, 173; 174/68.2, 70 B, 71 B, 72 B,
174/72 TR, 86, 87, 88 B, 94 R, 99 B, 129 B,
174/133 B, 149 B; 439/212, 213; 361/648,
361/649, 650, 651

CPC H02G 5/002; H02G 5/005; H02G 5/007;
H02G 5/02; H02G 5/025; H02G 1/00

See application file for complete search history.

(56) **References Cited**

U.S. PATENT DOCUMENTS

1,691,422 A	11/1928	Aalborg	
1,840,887 A	1/1932	De Mask	
2,297,170 A	9/1942	Rudd	
2,356,708 A *	8/1944	Sileck	296/204
2,430,510 A	11/1947	Hoye	
2,468,614 A	4/1949	Carlson	
2,606,957 A	8/1952	Rypinski	
2,800,557 A *	7/1957	Swain	337/158
2,877,289 A	3/1959	Schymik	

2,913,513 A	11/1959	Dyer et al.	
2,942,157 A	6/1960	Davis	
2,997,627 A	8/1961	Ellegood	
3,178,668 A	4/1965	Weimer et al.	
3,210,716 A	10/1965	Meacham	
3,213,183 A	10/1965	Weimer et al.	
3,243,663 A	3/1966	Rowe	
3,346,687 A	10/1967	Giger et al.	
3,356,906 A	12/1967	Lamb et al.	
3,411,042 A	11/1968	Klein	
3,730,971 A	5/1973	Durham et al.	
4,401,846 A *	8/1983	Sato et al.	174/149 B
4,722,703 A	2/1988	Hufnagl	

(Continued)

Primary Examiner — Mark Goodwin

(74) *Attorney, Agent, or Firm* — Leydig, Voit & Mayer, Ltd.

(57) **CLAIM**

The ornamental design for a connection of two angled bus bars, as shown and described.

DESCRIPTION

FIG. 1 is an isometric view of a connection of two angled bus bars showing our new design, the broken line elements form no part of the claimed design;

FIG. 2 is a top view thereof;

FIG. 3 is a right side view thereof;

FIG. 4 is a left side view thereof;

FIG. 5 is a front view thereof;

FIG. 6 is a back view thereof;

FIG. 7 is an isometric view of a second embodiment of a connection of two angled bus bars showing our new design, the broken line elements form no part of the claimed design;

FIG. 8 is a top view thereof;

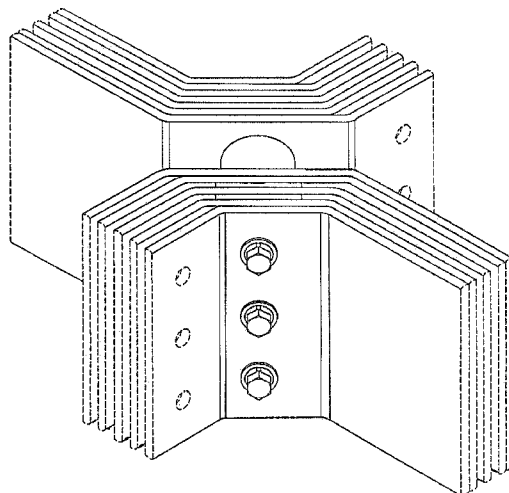
FIG. 9 is a right side view thereof;

FIG. 10 is a left side view thereof;

FIG. 11 is a front view thereof; and,

FIG. 12 is a back view thereof.

1 Claim, 8 Drawing Sheets



(56)

References Cited

U.S. PATENT DOCUMENTS

5,053,918 A	10/1991	Norden	6,748,651 B2	6/2004	Miyajima et al.	
5,124,881 A	6/1992	Motoki	6,762,362 B1	7/2004	Cavanaugh et al.	
5,140,499 A	8/1992	Amano et al.	7,414,828 B2	8/2008	Birner	
5,142,439 A	8/1992	Huggett et al.	7,718,895 B2	5/2010	Rodriguez	
D329,638 S *	9/1992	Sharp et al.	D636,727 S *	4/2011	Sakae	D13/121
5,152,698 A	10/1992	Juhlin et al.	7,952,025 B2	5/2011	Diaz et al.	
5,157,584 A *	10/1992	Rowe	7,952,026 B2	5/2011	Ramsey	
5,183,971 A	2/1993	Lafosse et al.	D647,055 S *	10/2011	Sakae	D13/120
5,847,321 A	12/1998	Carle et al.	D647,056 S *	10/2011	Sakae	D13/120
6,024,589 A	2/2000	Hahn, IV et al.	8,173,899 B2	5/2012	Doring et al.	
6,040,976 A	3/2000	Bruner et al.	8,284,541 B2	10/2012	Shea et al.	
6,111,745 A	8/2000	Wilkie, II et al.	8,305,739 B2	11/2012	Dozier	
6,205,017 B1	3/2001	Wilkie, II et al.	2001/0050178 A1 *	12/2001	Zachrai	174/149 B
6,629,854 B2	10/2003	Murakami	2005/0233625 A1 *	10/2005	Faulkner	439/210
			2011/0221205 A1 *	9/2011	Haar et al.	290/55
			2013/0003265 A1 *	1/2013	Rodrigues et al.	361/675

* cited by examiner

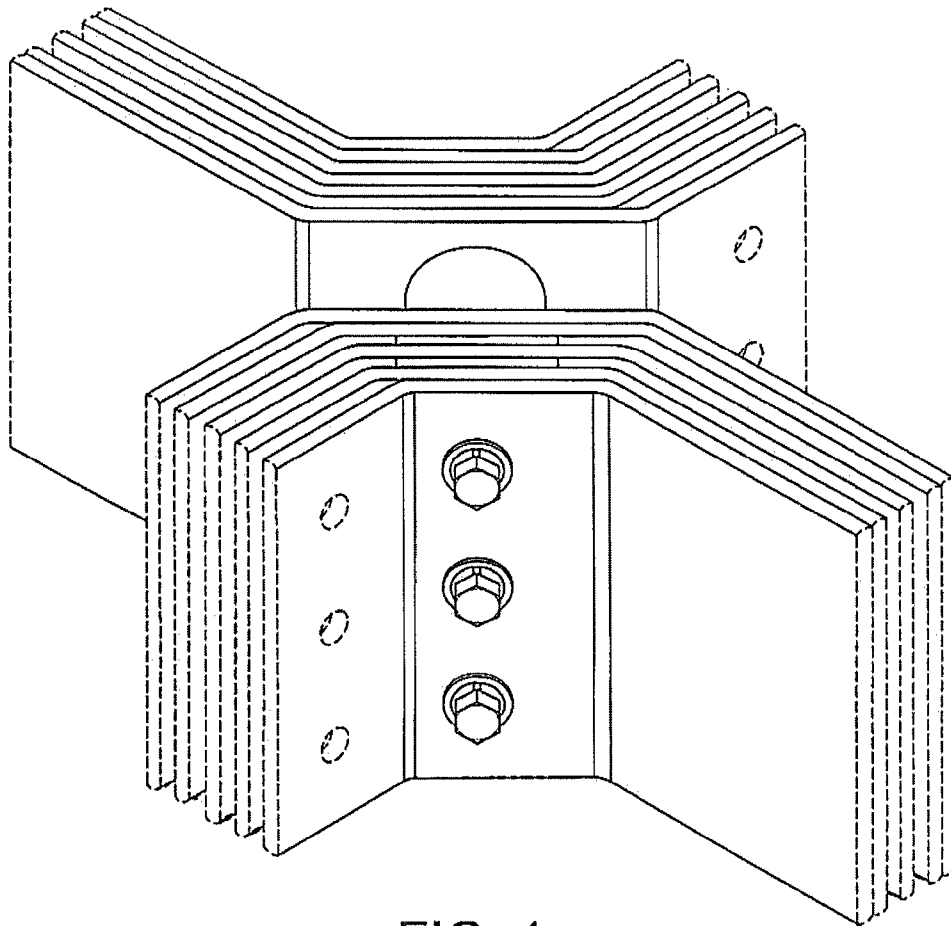


FIG. 1

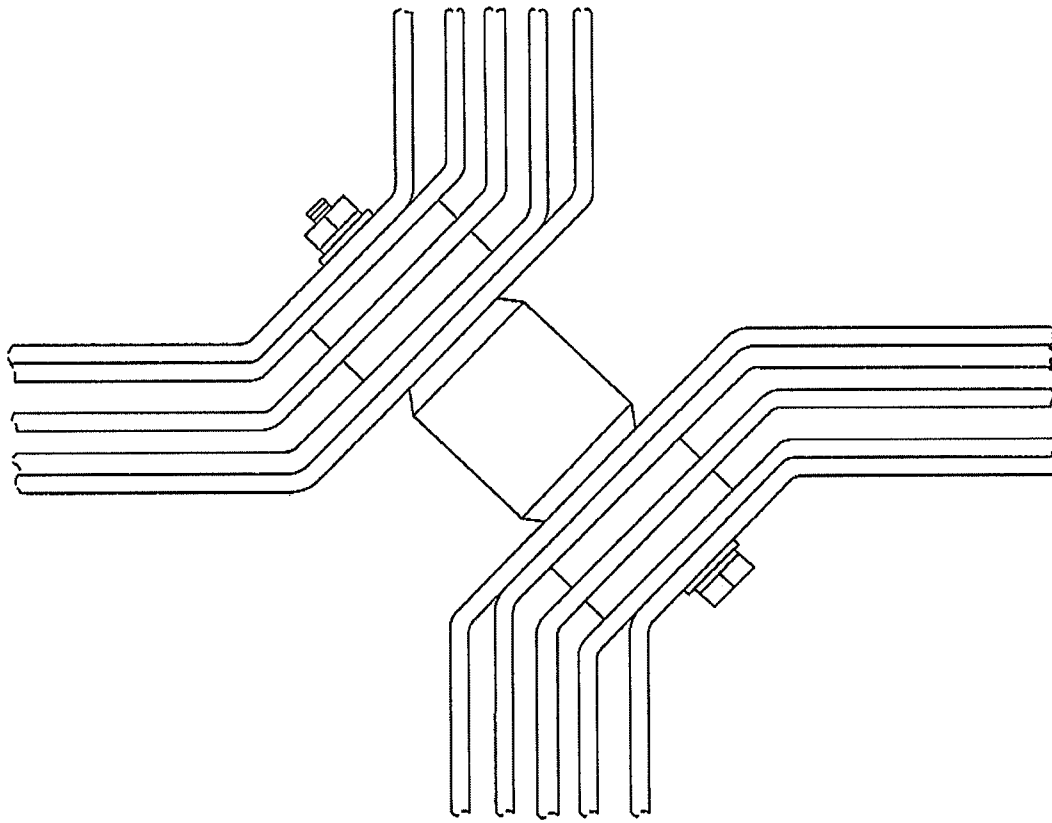


FIG. 2

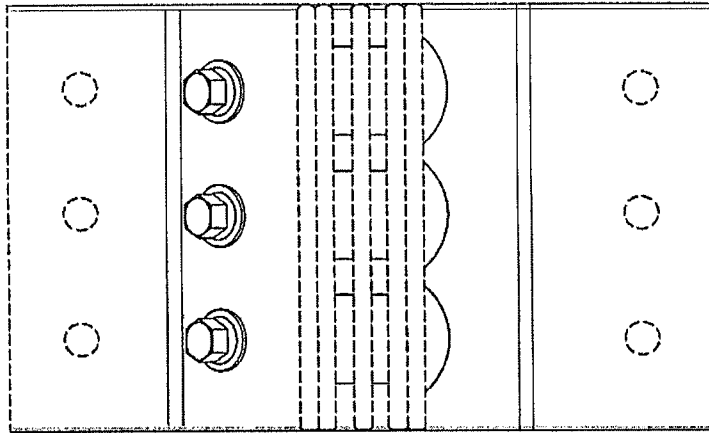


FIG. 3

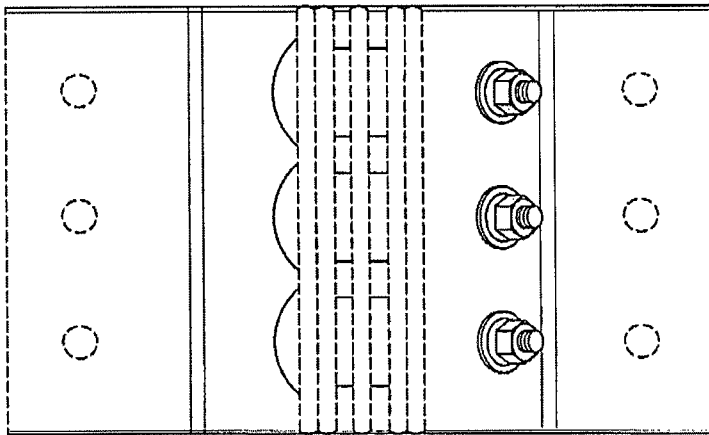


FIG. 4

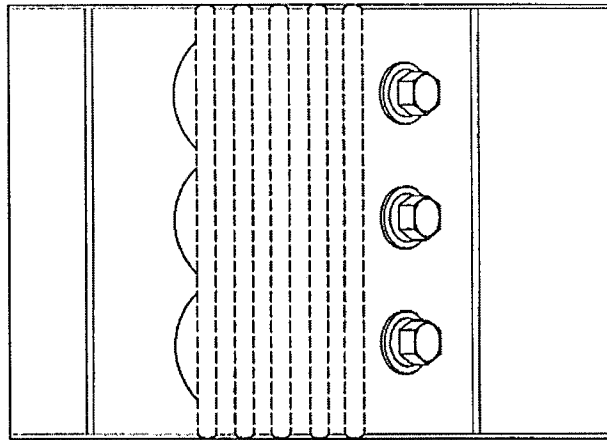


FIG. 5

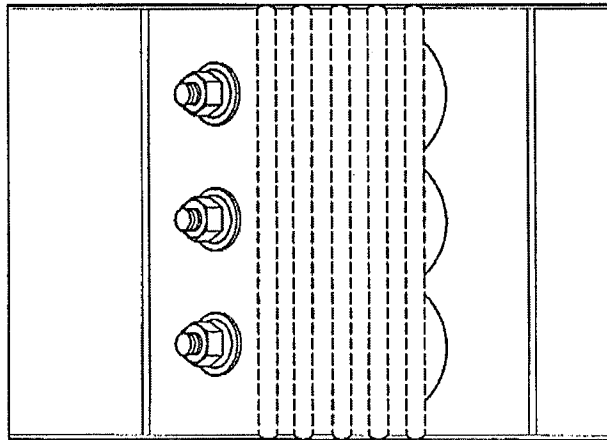


FIG. 6

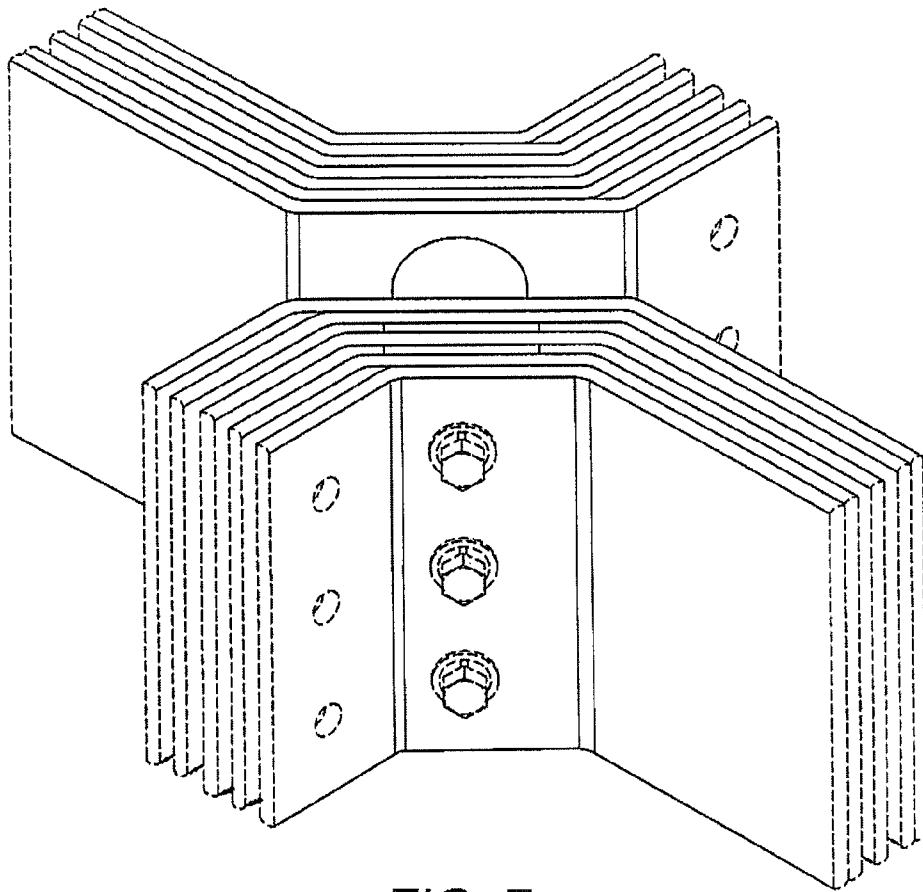


FIG. 7

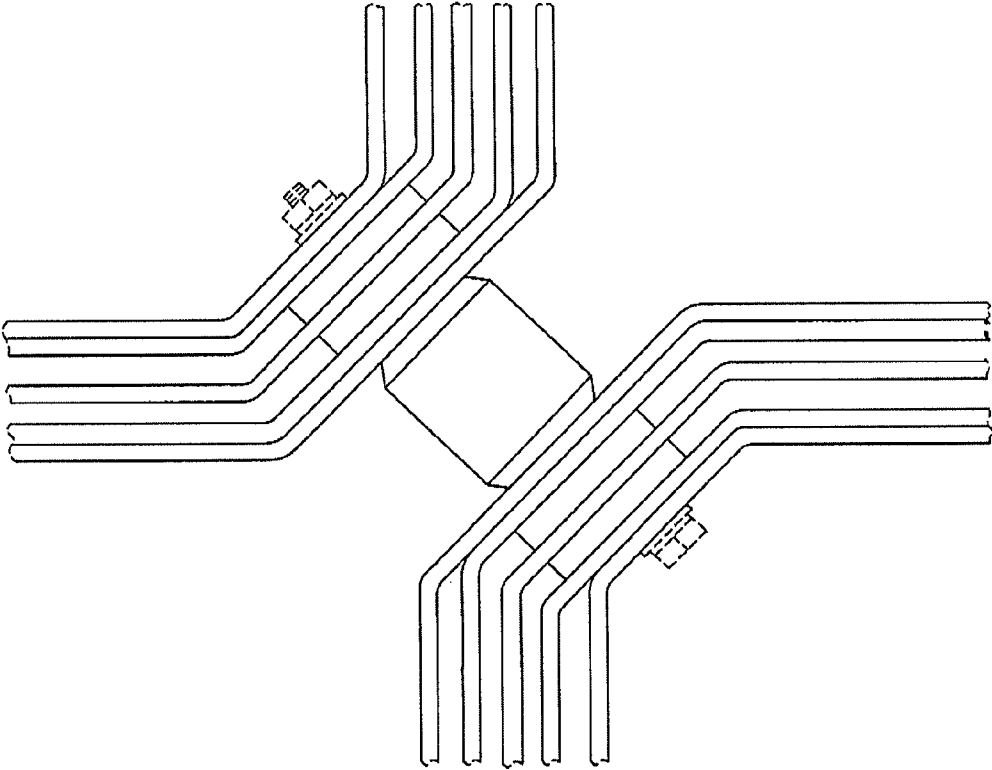


FIG. 8

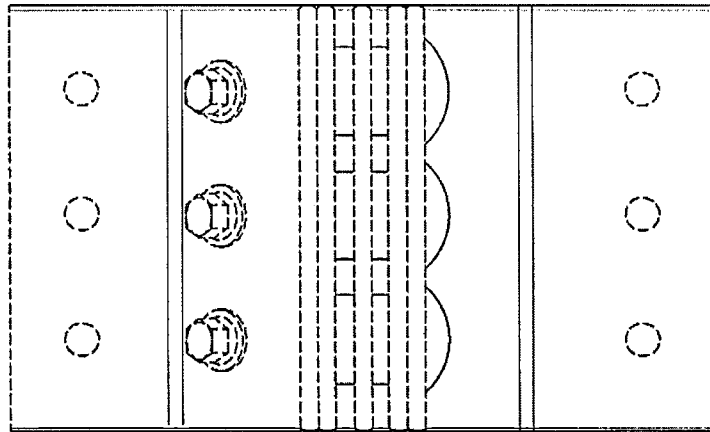


FIG. 9

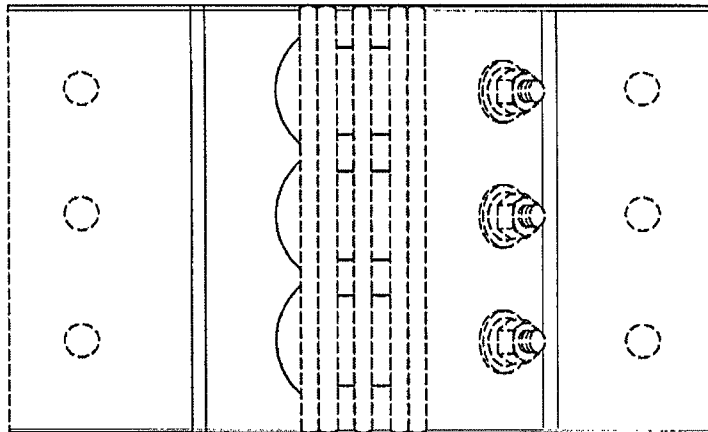


FIG. 10

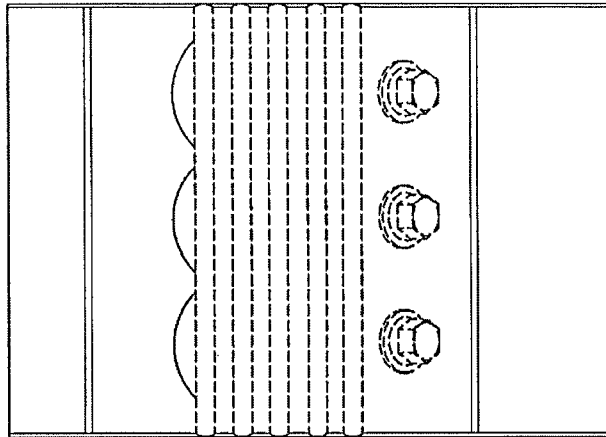


FIG. 11

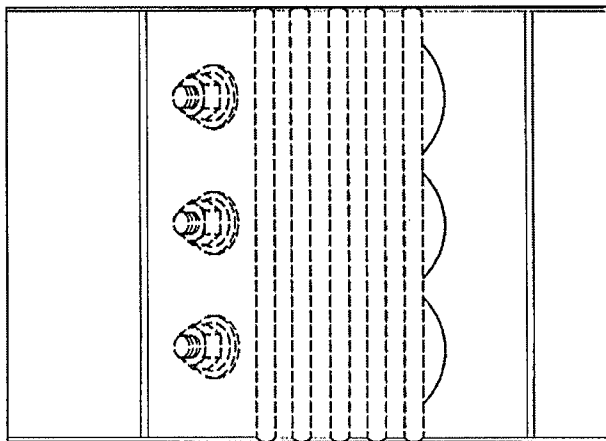


FIG. 12