

(19) World Intellectual Property Organization
International Bureau



(43) International Publication Date
27 December 2007 (27.12.2007)

PCT

(10) International Publication Number
WO 2007/149634 A3

(51) International Patent Classification:
A61B 17/70 (2006.01)

[US/US]; 1933 Birch Street, Montara, California 94037 (US).

(21) International Application Number:
PCT/US2007/067789

(74) Agents: OWEN, John, R. et al.; COATS & BENNETT, P.L.L.C., 1400 Crescent Green, Suite 300, Cary, NC 27511 (US).

(22) International Filing Date: 30 April 2007 (30.04.2007)

(25) Filing Language: English

(81) Designated States (unless otherwise indicated, for every kind of national protection available): AE, AG, AL, AM, AT, AU, AZ, BA, BB, BG, BH, BR, BW, BY, BZ, CA, CH, CN, CO, CR, CU, CZ, DE, DK, DM, DZ, EC, EE, EG, ES, FI, GB, GD, GE, GH, GM, GT, HN, HR, HU, ID, IL, IN, IS, JP, KE, KG, KM, KN, KP, KR, KZ, LA, LC, LK, LR, LS, LT, LU, LY, MA, MD, ME, MG, MK, MN, MW, MX, MY, MZ, NA, NG, NI, NO, NZ, OM, PG, PH, PL, PT, RO, RS, RU, SC, SD, SE, SG, SK, SL, SM, SV, SY, TJ, TM, TN, TR, TT, TZ, UA, UG, US, UZ, VC, VN, ZA, ZM, ZW.

(26) Publication Language: English

(30) Priority Data:
60/816,117 22 June 2006 (22.06.2006) US
60/853,962 24 October 2006 (24.10.2006) US
11/737,676 19 April 2007 (19.04.2007) US
11/737,685 19 April 2007 (19.04.2007) US

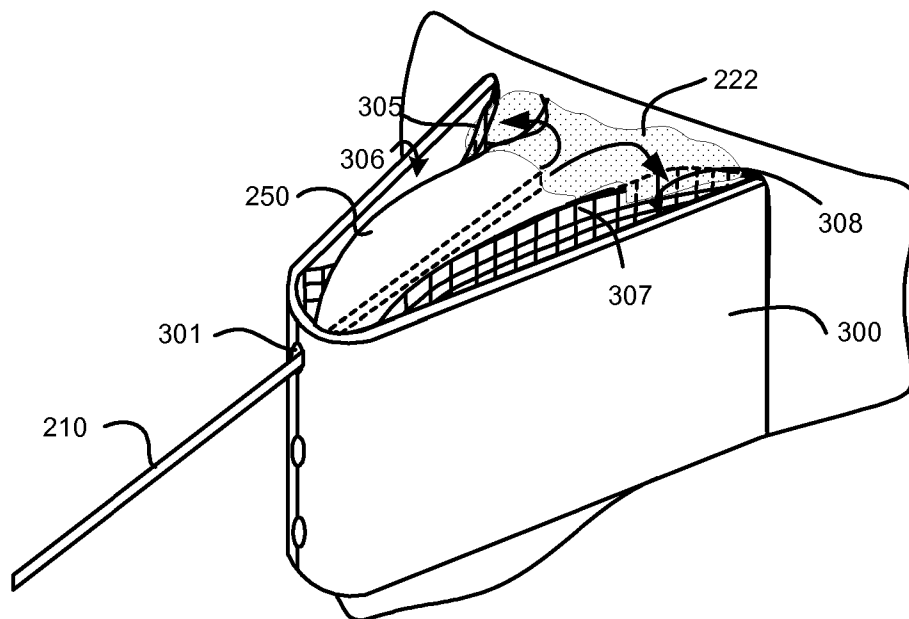
(71) Applicant (for all designated States except US):
KYPHON INC. [US/US]; 1221 Crossman Avenue, Sunnyvale, California 94089 (US).

(84) Designated States (unless otherwise indicated, for every kind of regional protection available): ARIPO (BW, GH, GM, KE, LS, MW, MZ, NA, SD, SL, SZ, TZ, UG, ZM, ZW), Eurasian (AM, AZ, BY, KG, KZ, MD, RU, TJ, TM), European (AT, BE, BG, CH, CY, CZ, DE, DK, EE, ES, FI, FR, GB, GR, HU, IE, IS, IT, LT, LU, LV, MC, MT, NL, PL, PT, RO, SE, SI, SK, TR), OAPI (BF, BJ, CF, CG, CI, CM, GA, GN, GQ, GW, ML, MR, NE, SN, TD, TG).

(72) Inventors; and
(75) Inventors/Applicants (for US only): ZUCHERMAN, James, F. [US/US]; 3035 Pierce Street, San Francisco, California 94123 (US). HSU, Ken, Y. [US/US]; 52 Claredon Avenue, San Francisco, California 94114 (US). MITCHELL, Steven, T. [US/US]; 776 Duke Circle, Pleasant Hill, California 94523 (US). YERBY, Scott, A.

[Continued on next page]

(54) Title: SYSTEM AND METHOD FOR STRENGTHENING A SPINOUS PROCESS



(57) Abstract: Systems, procedures and tools for repairing or reinforcing the spinous process. The systems and procedures provide for injecting bone cement into and optionally around the spinous process. Additional reinforcing elements may be embedded in the bone cement inside or outside the spinous process. The procedures include positioning of the guide and reinforcing elements relative to a spinous process, preparation of the spinous process for injection and injection of bone cement into the spinous process. Tools are provided to facilitate the accurate injection of bone cement. The systems and procedures increase the strength of the spinous process and enhance the applicability and outcome of spinal interventions.

WO 2007/149634 A3



Published:

— *with international search report*

(88) Date of publication of the international search report:

18 September 2008

INTERNATIONAL SEARCH REPORT

International application No.

PCT/US07/67789

A. CLASSIFICATION OF SUBJECT MATTER
 IPC: **A61B 17/70(2006.01)**

USPC: 606/248
 According to International Patent Classification (IPC) or to both national classification and IPC

B. FIELDS SEARCHED

Minimum documentation searched (classification system followed by classification symbols)
 U.S. : 606/248,206,207,208,209,210,211,246,280,96,99,89,94

Documentation searched other than minimum documentation to the extent that such documents are included in the fields searched

Electronic data base consulted during the international search (name of data base and, where practicable, search terms used)
 EAST

C. DOCUMENTS CONSIDERED TO BE RELEVANT

Category *	Citation of document, with indication, where appropriate, of the relevant passages	Relevant to claim No.
X	US 6,066,102 A (Townsend et al) 23 May 2000 (23.05.2000) see entire document	1-25
X	US 6,436,117 B1 (Waller et al.) 20 August 2002 (20.08.2002) see entire document	1-25
A	US 6,277,123 B1 (Maroney et al.) 21 August 2001 (21.08.2001) see entire document	1-25
A	US 3,906,957 A (Weston) 23 September 1975 (23.09.1975) see entire document	1-25

Further documents are listed in the continuation of Box C. See patent family annex.

* Special categories of cited documents:	
"A" document defining the general state of the art which is not considered to be of particular relevance	"T" later document published after the international filing date or priority date and not in conflict with the application but cited to understand the principle or theory underlying the invention
"E" earlier application or patent published on or after the international filing date	"X" document of particular relevance; the claimed invention cannot be considered novel or cannot be considered to involve an inventive step when the document is taken alone
"L" document which may throw doubts on priority claim(s) or which is cited to establish the publication date of another citation or other special reason (as specified)	"Y" document of particular relevance; the claimed invention cannot be considered to involve an inventive step when the document is combined with one or more other such documents, such combination being obvious to a person skilled in the art
"O" document referring to an oral disclosure, use, exhibition or other means	"&" document member of the same patent family
"P" document published prior to the international filing date but later than the priority date claimed	

Date of the actual completion of the international search 23 May 2008 (23.05.2008)	Date of mailing of the international search report 26 JUN 2008
---	--

Name and mailing address of the ISA/US Mail Stop PCT, Attn: ISA/US Commissioner for Patents P.O. Box 1450 Alexandria, Virginia 22313-1450 Facsimile No. (571) 273-3201	Authorized officer Pedro Philogene <i>Pedro Philogene</i> Telephone No. (571) 272-4716 <i>Jon</i>
---	--