



US00D996752S

(12) **United States Design Patent**
Meng et al.

(10) **Patent No.:** **US D996,752 S**

(45) **Date of Patent:** **** Aug. 22, 2023**

(54) **DUST BAG CLAMP FOR CLEANING APPLIANCE**

FOREIGN PATENT DOCUMENTS

CN 306638381 S 6/2021
CN 307256881 S 4/2022

(Continued)

(71) Applicant: **Beijing Roborock Technology Co., Ltd.**, Beijing (CN)

(72) Inventors: **Fanwei Meng**, Beijing (CN); **Zechen Yu**, Beijing (CN); **Lifeng Gao**, Beijing (CN)

OTHER PUBLICATIONS

Amazon.com 12 pack Dust Bag Compatible with Roborock S7 MaxV Ultra (Oct. 29, 2022) https://www.amazon.com/Compatible-Roborock-Disposable-Replacement-Accessories/dp/B0BKW3HBWT/ref=sr_1_44 (Year: 2022).*

(Continued)

(73) Assignee: **Beijing Roborock Technology Co., Ltd.**, Beijing (CN)

(**) Term: **15 Years**

Primary Examiner — Kevin K Rudzinski

Assistant Examiner — Richard E Yenchesky

(21) Appl. No.: **35/514,954**

(74) *Attorney, Agent, or Firm* — Morgan, Lewis & Bockius LLP

(22) Filed: **Apr. 20, 2022**

(80) **Hague Agreement Data**

Int. Filing Date: **Apr. 20, 2022**

Int. Reg. No.: **DM/222652**

Int. Reg. Date: **Apr. 20, 2022**

Int. Reg. Pub. Date: **Aug. 19, 2022**

(57) **CLAIM**

The ornamental design for a dust bag clamp for cleaning appliance, as shown and described.

(30) **Foreign Application Priority Data**

Jan. 29, 2022 (CN) 202230062289.5

(51) **LOC (14) Cl.** **15-05**

(52) **U.S. Cl.**
USPC **D32/30**

(58) **Field of Classification Search**
USPC D15/61, 99; D32/25, 30–34

(Continued)

DESCRIPTION

The patent or application file contains at least one drawing executed in color. Copies of this patent or patent application publication with color drawing(s) will be provided by the Office upon request and payment of the necessary fee.

1. Dust bag clamp for cleaning appliance
2. Dust bag clamp for cleaning appliance

- 1.1 : Front
- 1.2 : Back
- 1.3 : Cross sectional
- 1.4 : Left
- 1.5 : Right
- 1.6 : Top
- 1.7 : Bottom
- 1.8 : Perspective
- 1.9 : Perspective
- 1.10 : Perspective
- 1.11 : Reference view
- 1.12 : Reference view

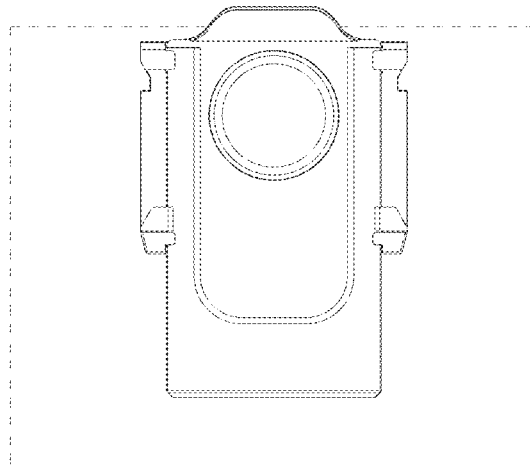
(56) **References Cited**

U.S. PATENT DOCUMENTS

D251,668 S * 4/1979 Asberg D32/30
5,468,272 A * 11/1995 Schmierer A47L 9/1445
55/377

(Continued)

(Continued)



- 1.13 : Reference view
- 1.14 : Reference view
- 1.15 : Reference view
- 1.16 : Reference view
- 1.17 : Reference view
- 1.18 : Reference view
- 1.19 : Reference view
- 2.1 : Front
- 2.2 : Back
- 2.3 : Cross sectional
- 2.4 : Left
- 2.5 : Right
- 2.6 : Top
- 2.7 : Bottom
- 2.8 : Perspective
- 2.9 : Perspective
- 2.10 : Perspective
- 2.11 : Reference view
- 2.12 : Reference view
- 2.13 : Reference view
- 2.14 : Reference view
- 2.15 : Reference view
- 2.16 : Reference view
- 2.17 : Reference view
- 2.18 : Reference view
- 2.19 : Reference view
- 2.20 : Enlarged

Reproductions 1.1 to 1.2 and 1.4 to 1.7 are six orthographic projection views of a first dust bag clamp for cleaning appliance, reproductions 1.8 to 1.10 are three perspective views thereof; reproduction 1.3 is an enlarged cross-sectional view taken along line A-A in reproduction 1.2; and reproductions 1.11 to 1.19 are reference views illustrating the first clamping part in a usage state; reproductions 2.1 to 2.19 are those views as above indicated of a second dust bag clamp for cleaning appliance, correspondingly; and reproduction 2.20 is an enlarged view of part A marked in reproduction 2.19; the broken lines in reproductions 1.11-1.19 depict environmental subject matter that forms no part of the claimed design; likewise, the red colored portions in reproductions 2.11-2.20 form no part of the claimed design.

**1 Claim, 39 Drawing Sheets
(10 of 39 Drawing Sheet(s) Filed in Color)**

(58) **Field of Classification Search**

CPC ... A47L 9/10; A47L 9/102; A47L 9/12; A47L 9/1418; A47L 9/1427; A47L 9/1436; A47L 9/1445; A47L 9/1454; B01D 46/02;

B01D 46/04; E04B 2/825; E04B 2/8617; E04B 2/767

See application file for complete search history.

(56) **References Cited**

U.S. PATENT DOCUMENTS

5,472,460	A *	12/1995	Schmierer	A47L 9/1427
				55/377
5,472,465	A *	12/1995	Schmierer	A47L 9/1427
				55/377
D559,483	S *	1/2008	Matter	D32/31
D617,064	S *	6/2010	Hengvoss	D32/30
8,439,997	B2 *	5/2013	Rupp	A47L 9/1472
				55/374
10,952,581	B2 *	3/2021	Warius	A47L 9/1436
10,986,969	B2 *	4/2021	Warius	B01D 46/0005
11,452,418	B2 *	9/2022	Na	A47L 9/1472
D975,391	S *	1/2023	Li	D32/31
D980,563	S *	3/2023	Hu	D32/31
D980,564	S *	3/2023	Zhu	D32/31
D981,060	S *	3/2023	Li	D32/30
2007/0214755	A1 *	9/2007	Corney	A47L 9/1445
				55/367
2019/0208973	A1 *	7/2019	Warius	B01D 46/0005
2019/0350421	A1 *	11/2019	Warius	A47L 9/1436
2021/0235948	A1 *	8/2021	Bjork	A47L 9/1418

FOREIGN PATENT DOCUMENTS

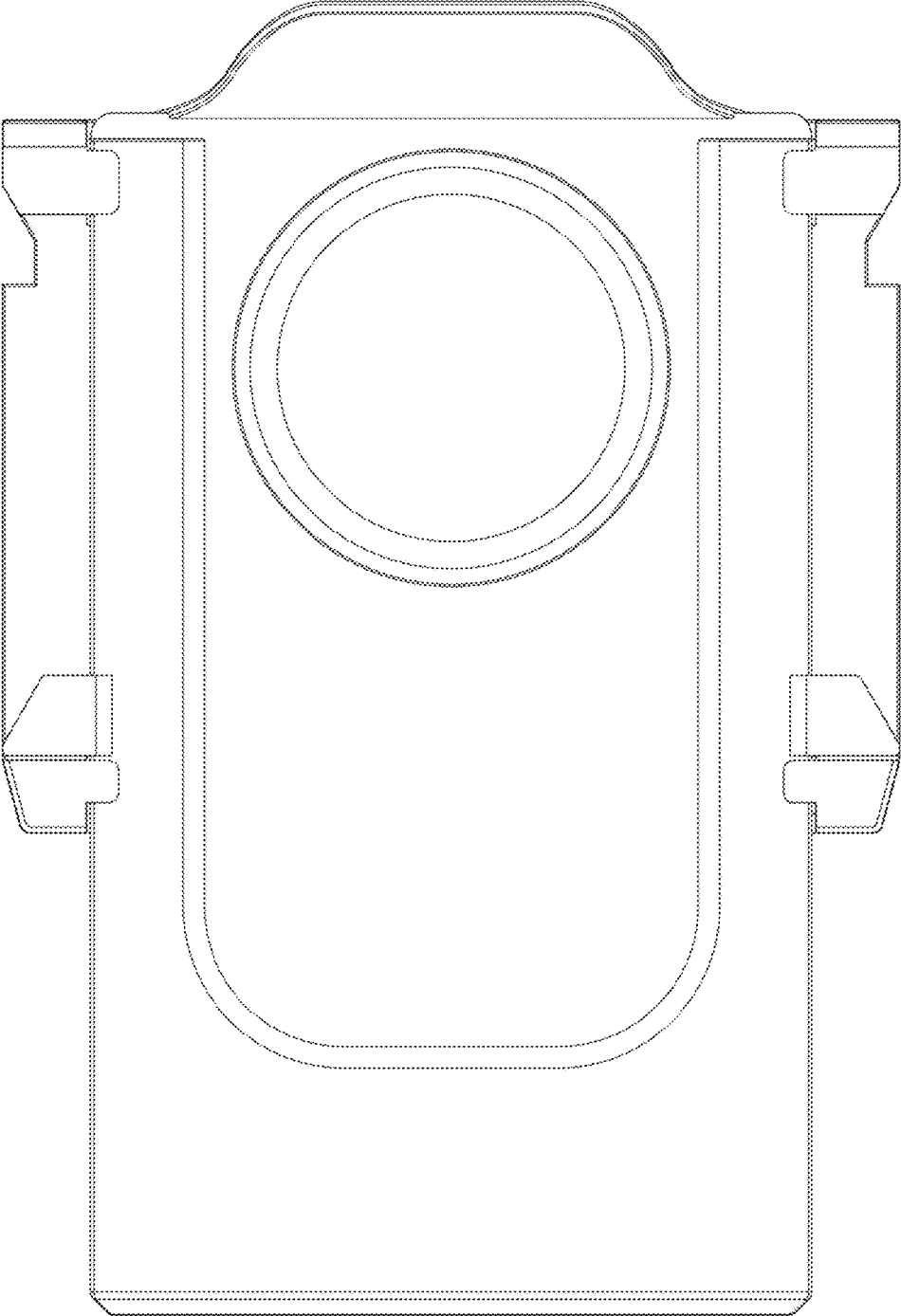
CN	307327457	S	5/2022	
DE	4217544	C1 *	1/1994 A47L 9/1445
DE	4339297	C1 *	9/1994 A47L 9/1427
DE	4339298	C1 *	9/1994 A47L 9/1427
EP	0682908	A1 *	11/1995 A47L 9/14
EP	3326506	A1 *	5/2018 A47L 9/1418
FR	2800980	A1 *	5/2001 A47L 9/1427
JP	D1246632	S	6/2005	
JP	D1246897	S	6/2005	
JP	D1246898	S	6/2005	
JP	D1437437	S	3/2012	
JP	D1437438	S	3/2012	
JP	D1740369	*	3/2023	
WO	WO-9515108	A1 *	6/1995 A47L 9/1427
WO	WO-2017194081	A1 *	11/2017 A47L 9/1427
WO	WO-2017194085	A1 *	11/2017 A47L 9/1445
WO	WO-2017196211	A *	11/2017 A47L 9/14

OTHER PUBLICATIONS

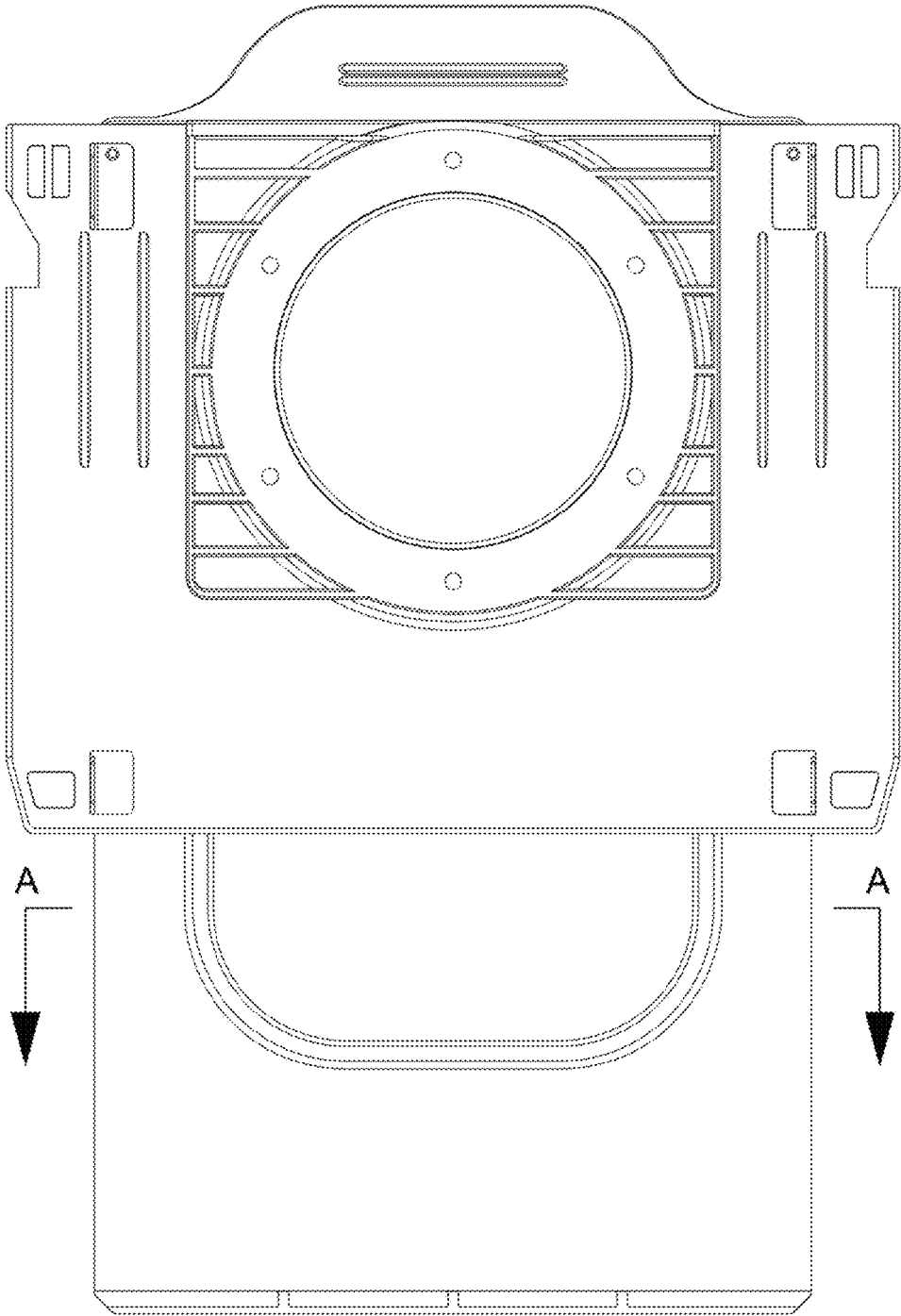
Amazon.com_ Sgizoku Dust Bags(May 23, 2022) https://www.amazon.com/Sgizoku-Replacement-Self-Empty-Disposable-Accessories/dp/B0B1ZYS9M7/ref=sr_1_37 (Year: 2022).
Notice of Allowance issued in counterpart Taiwanese Patent Application No. 111302231 dated Oct. 6, 2022.

* cited by examiner

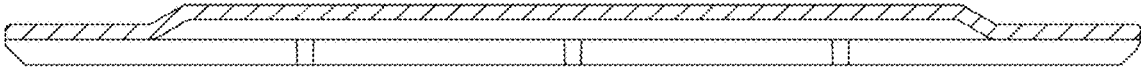
1.1



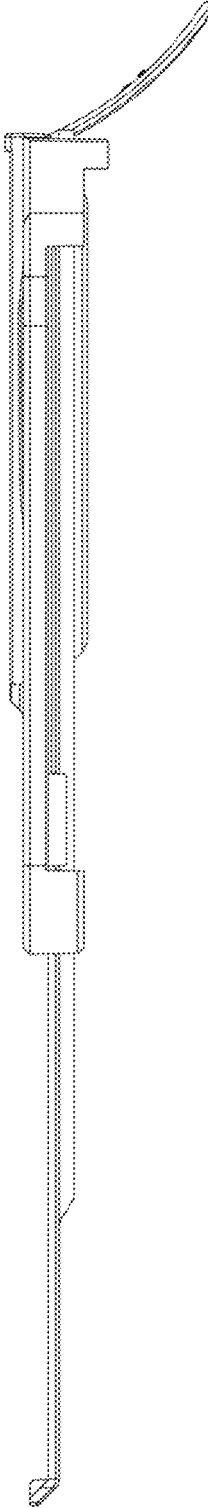
1.2



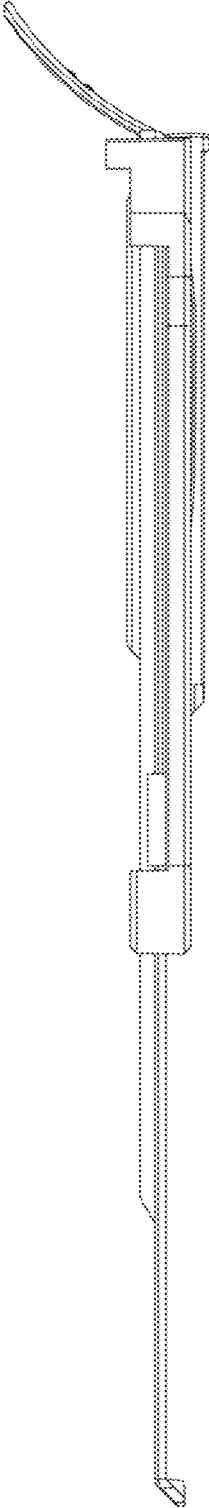
1.3



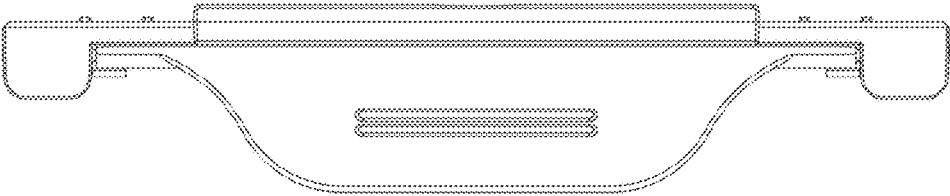
1.4



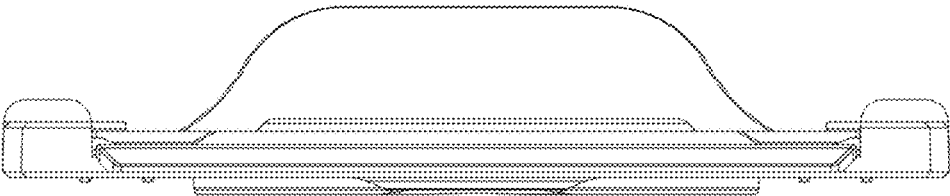
1.5



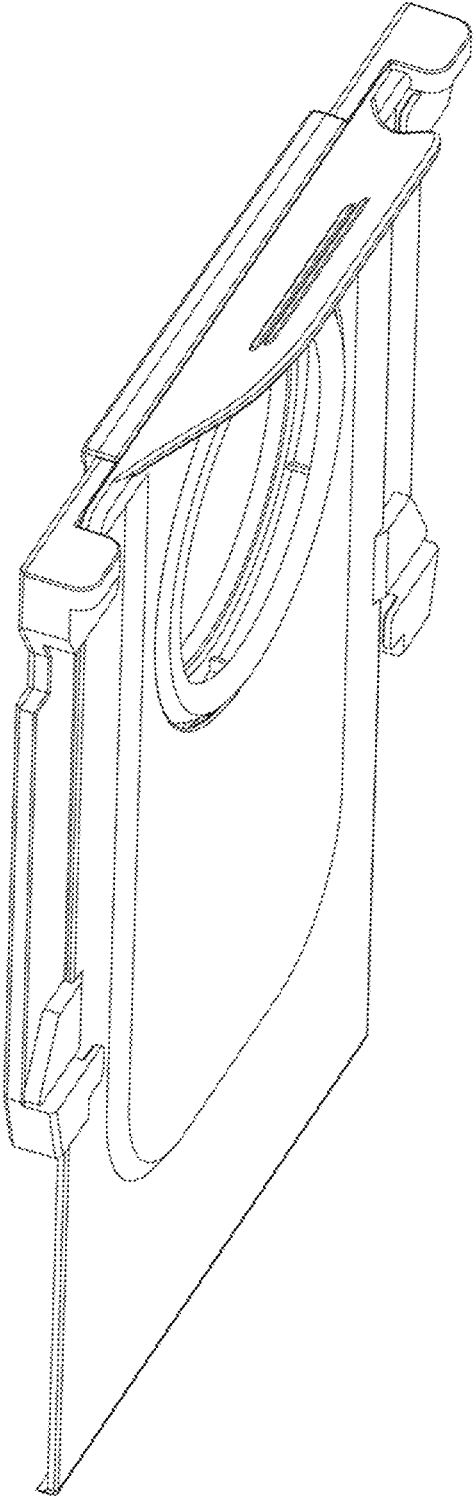
1.6



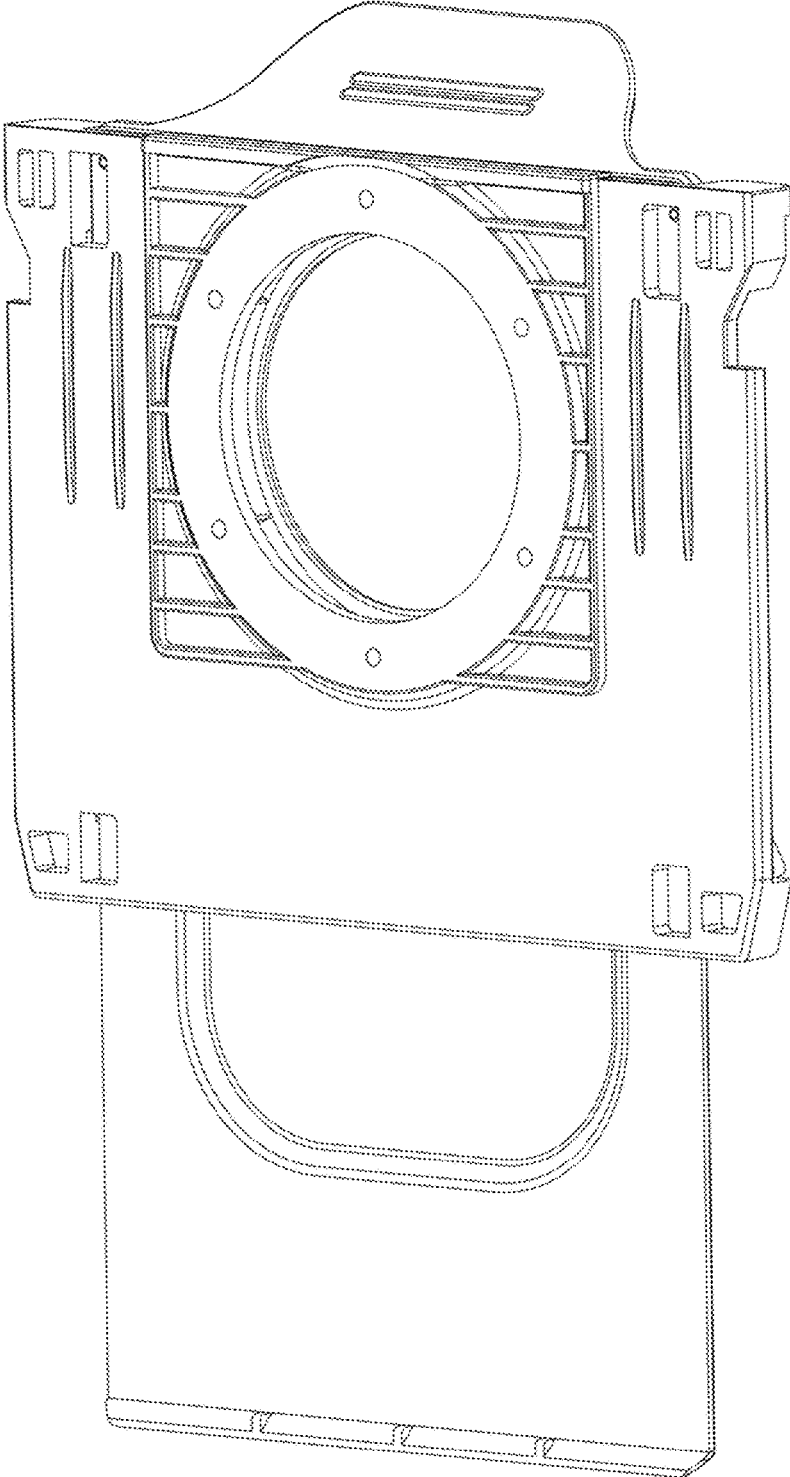
1.7



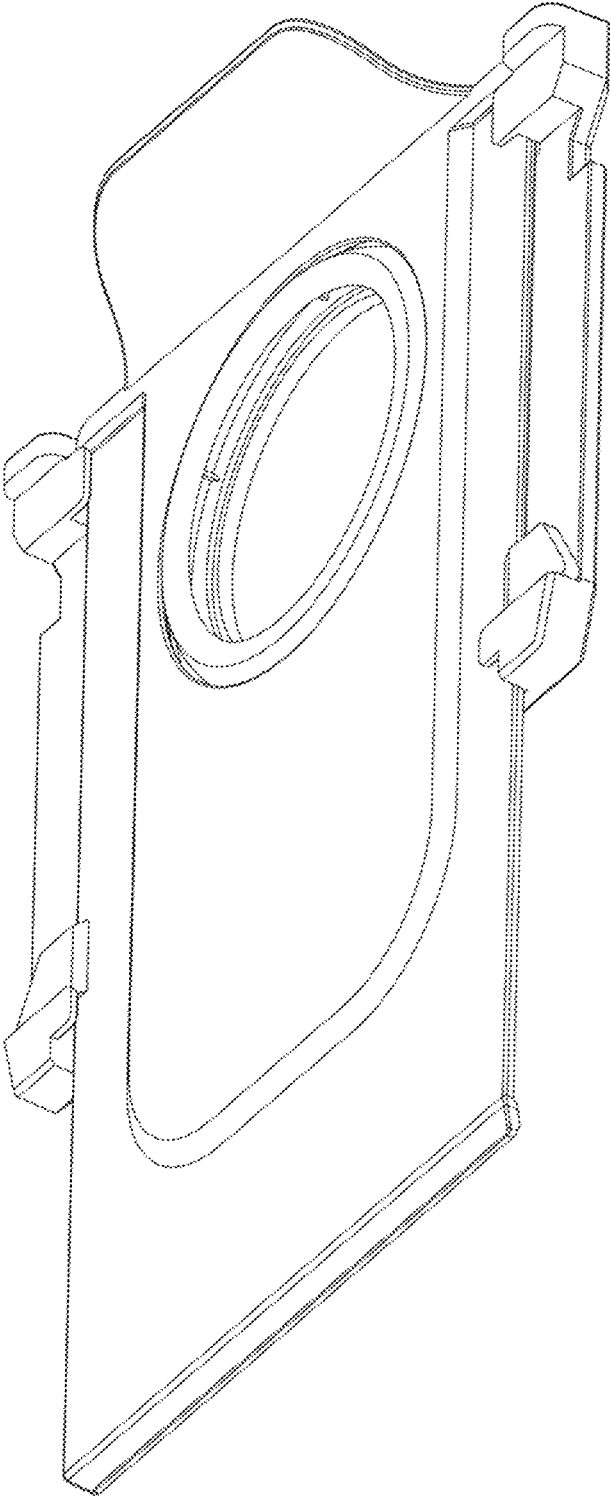
1.8



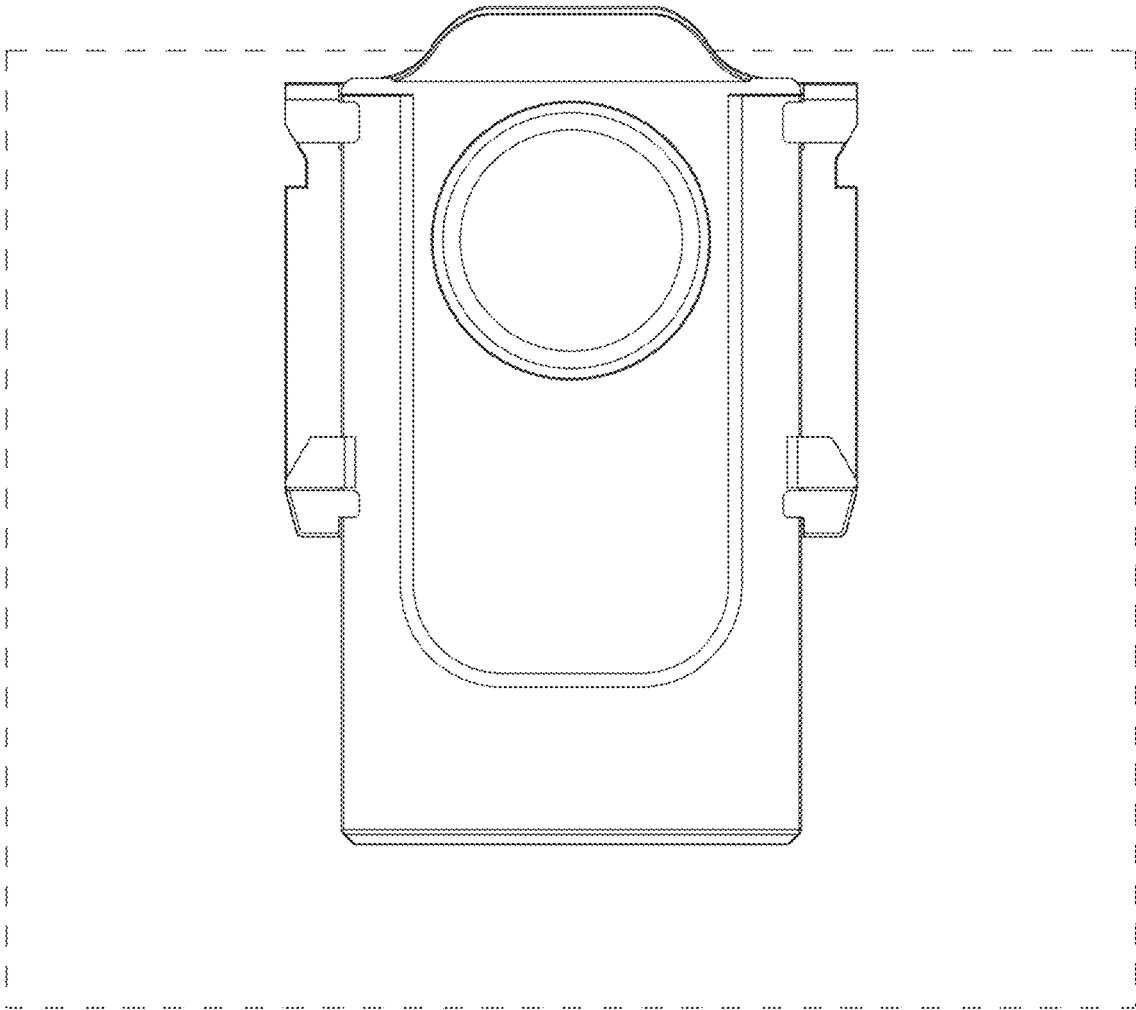
1.9



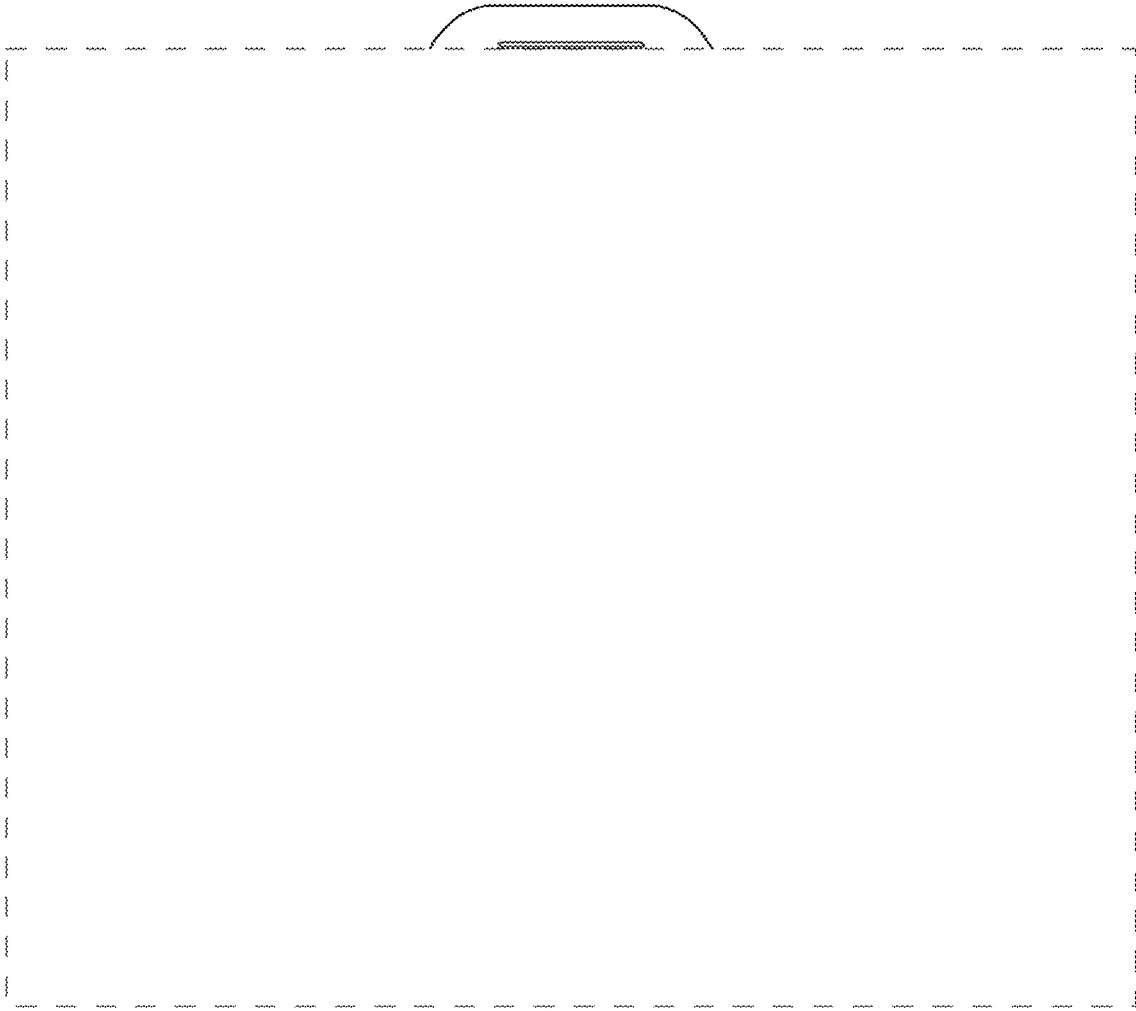
1.10



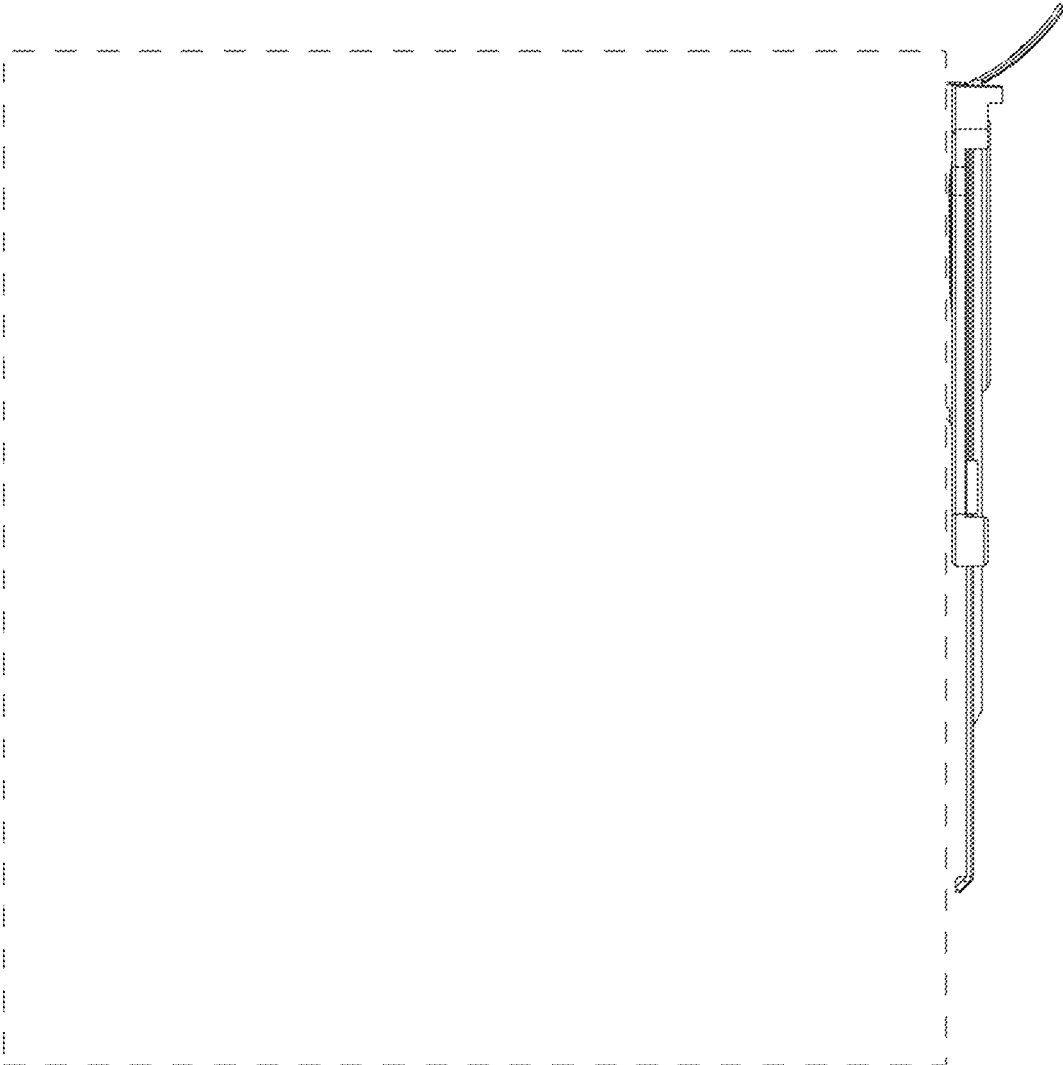
1.11



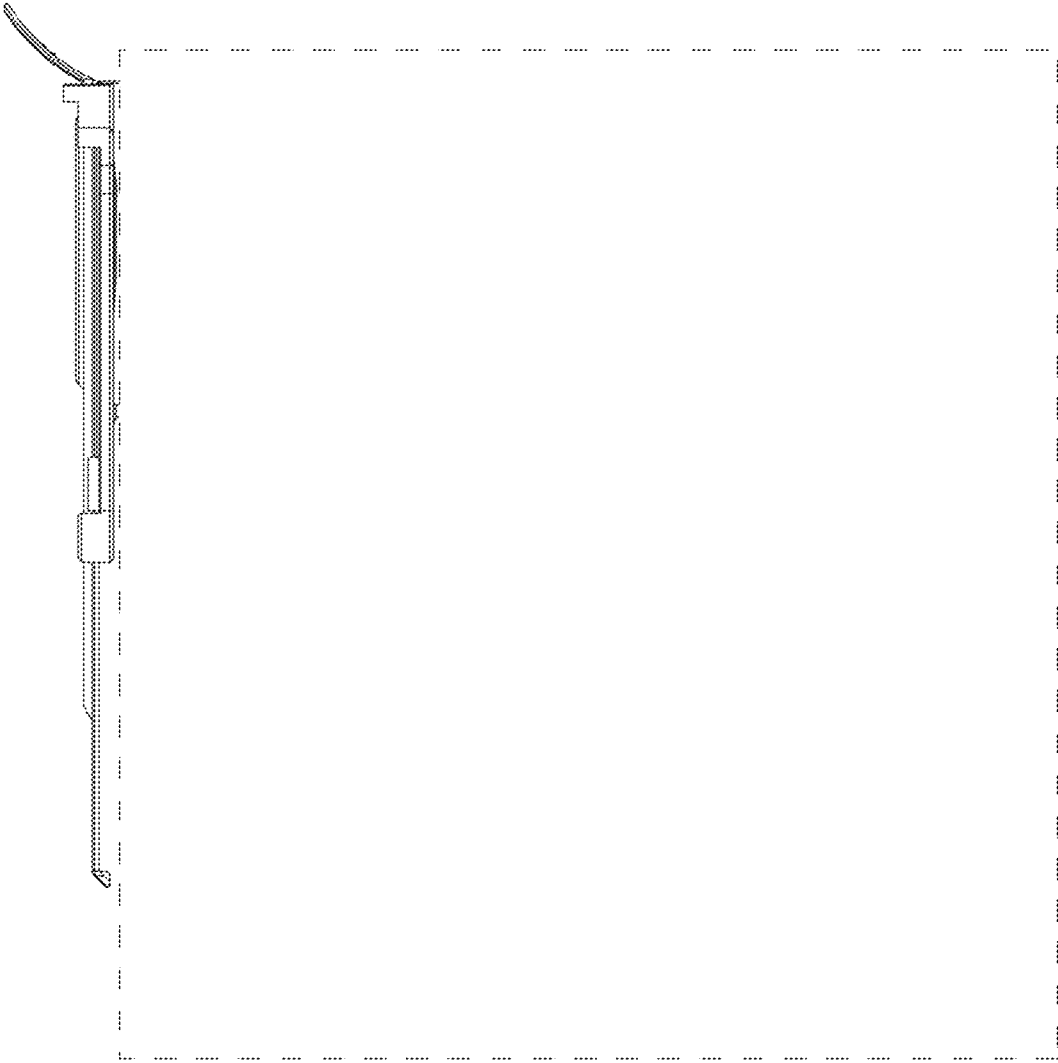
1.12



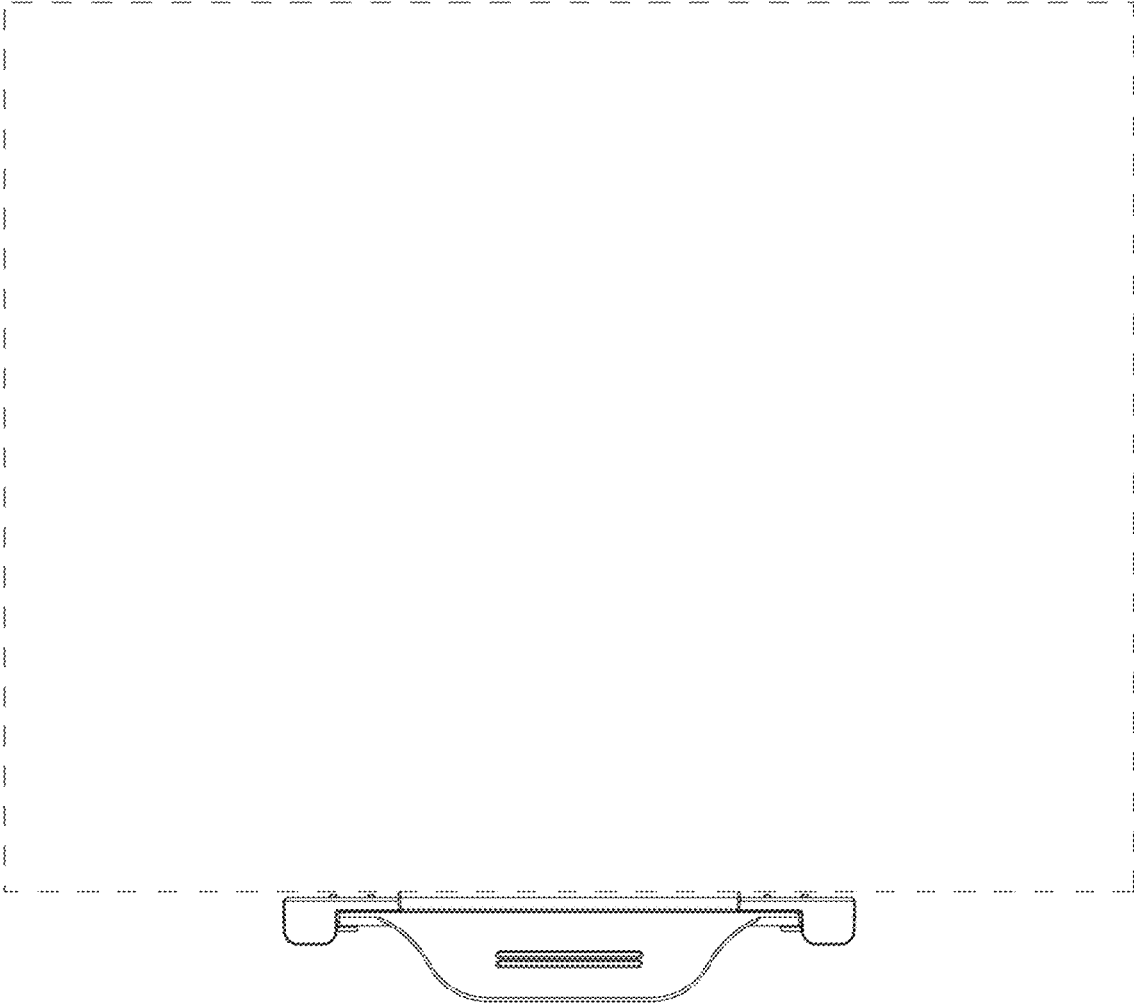
1.13



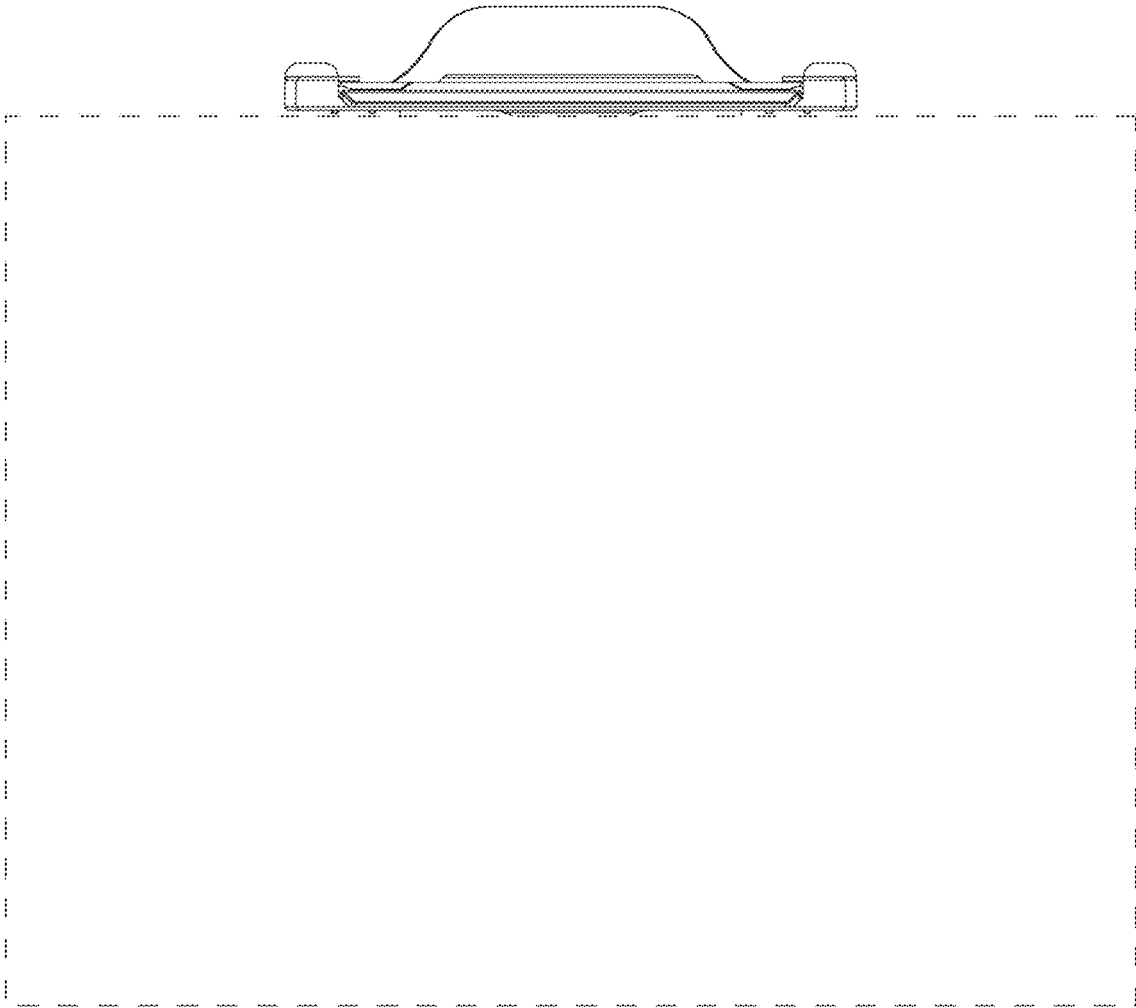
1.14



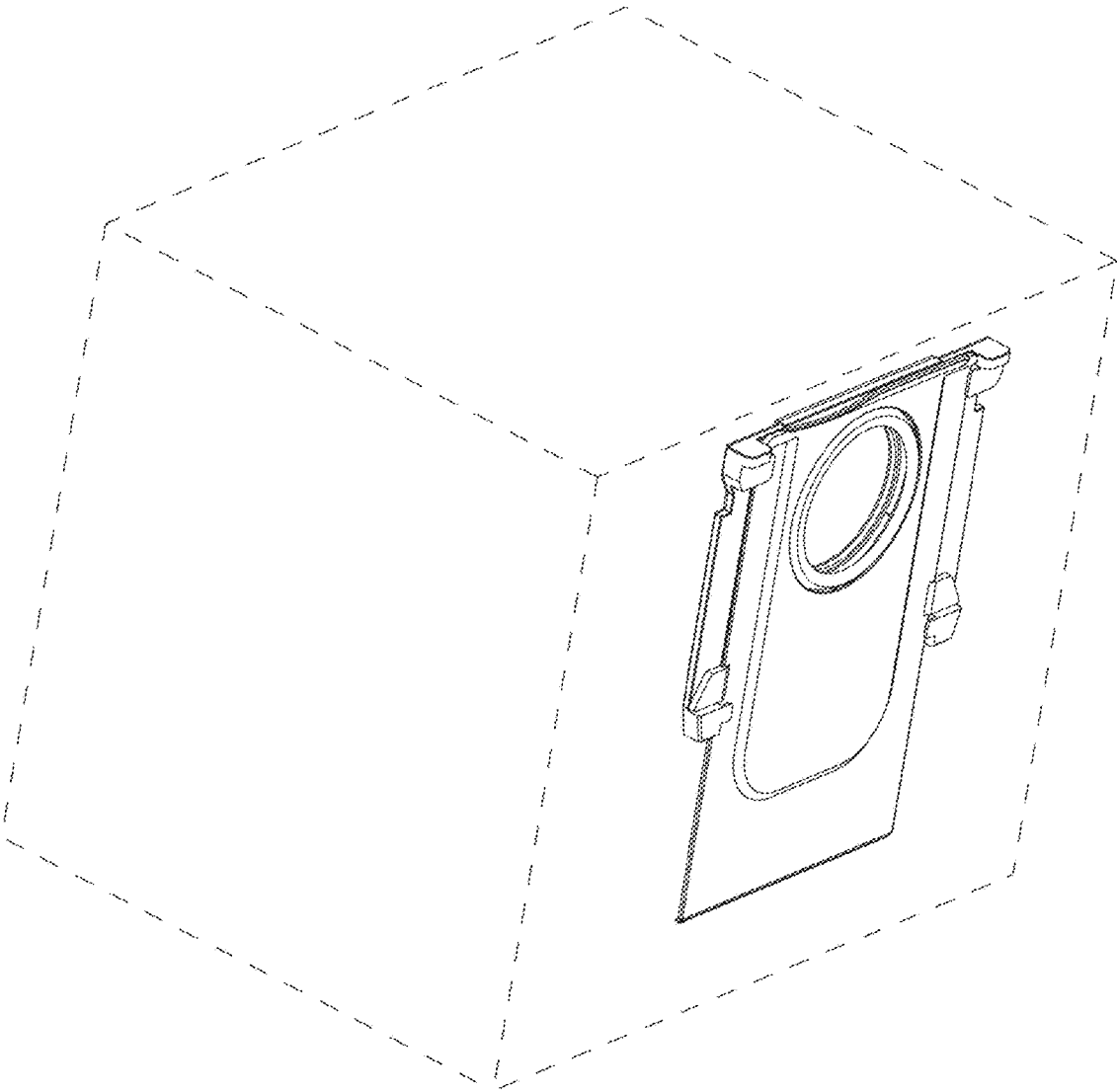
1.15



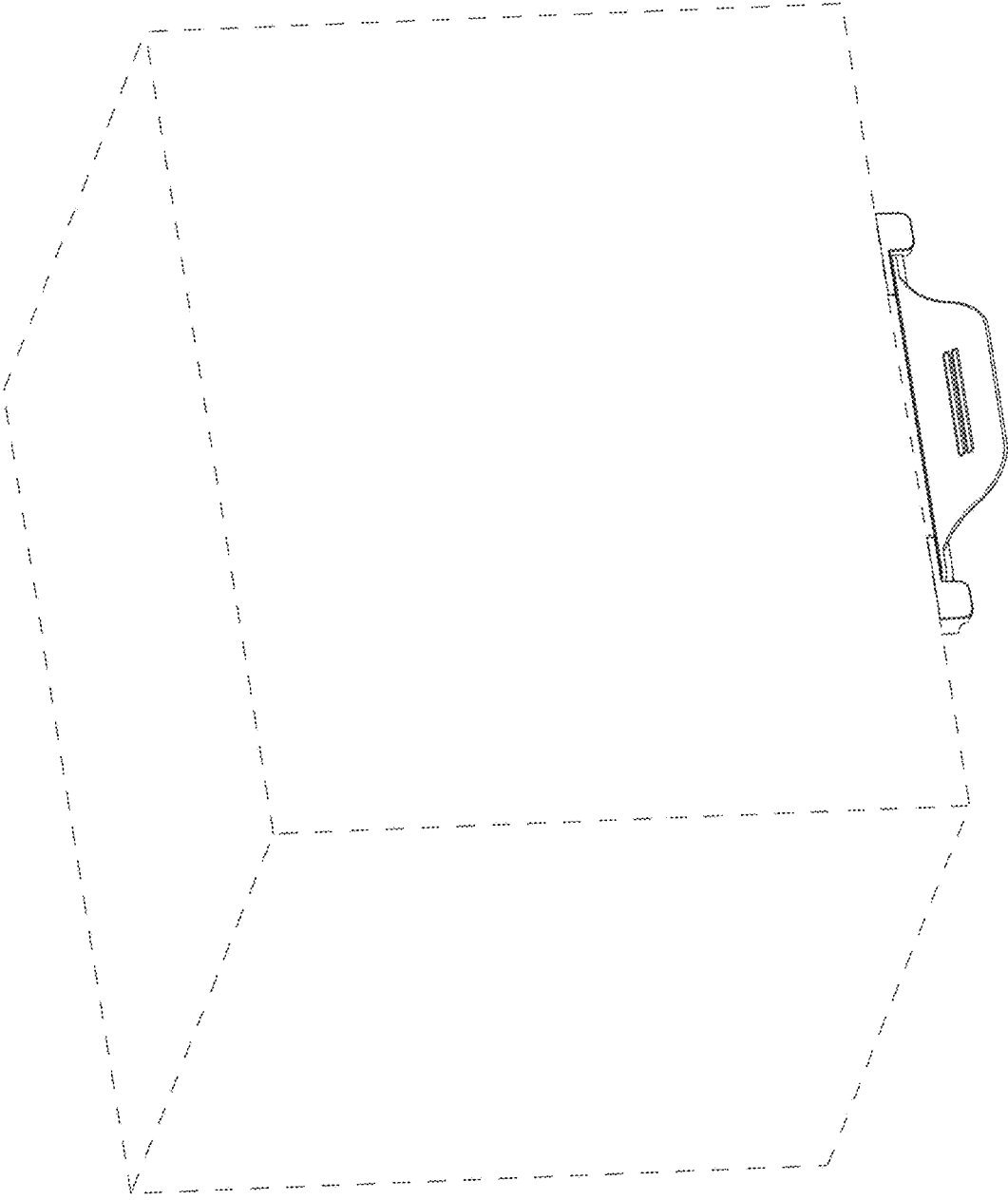
1.16



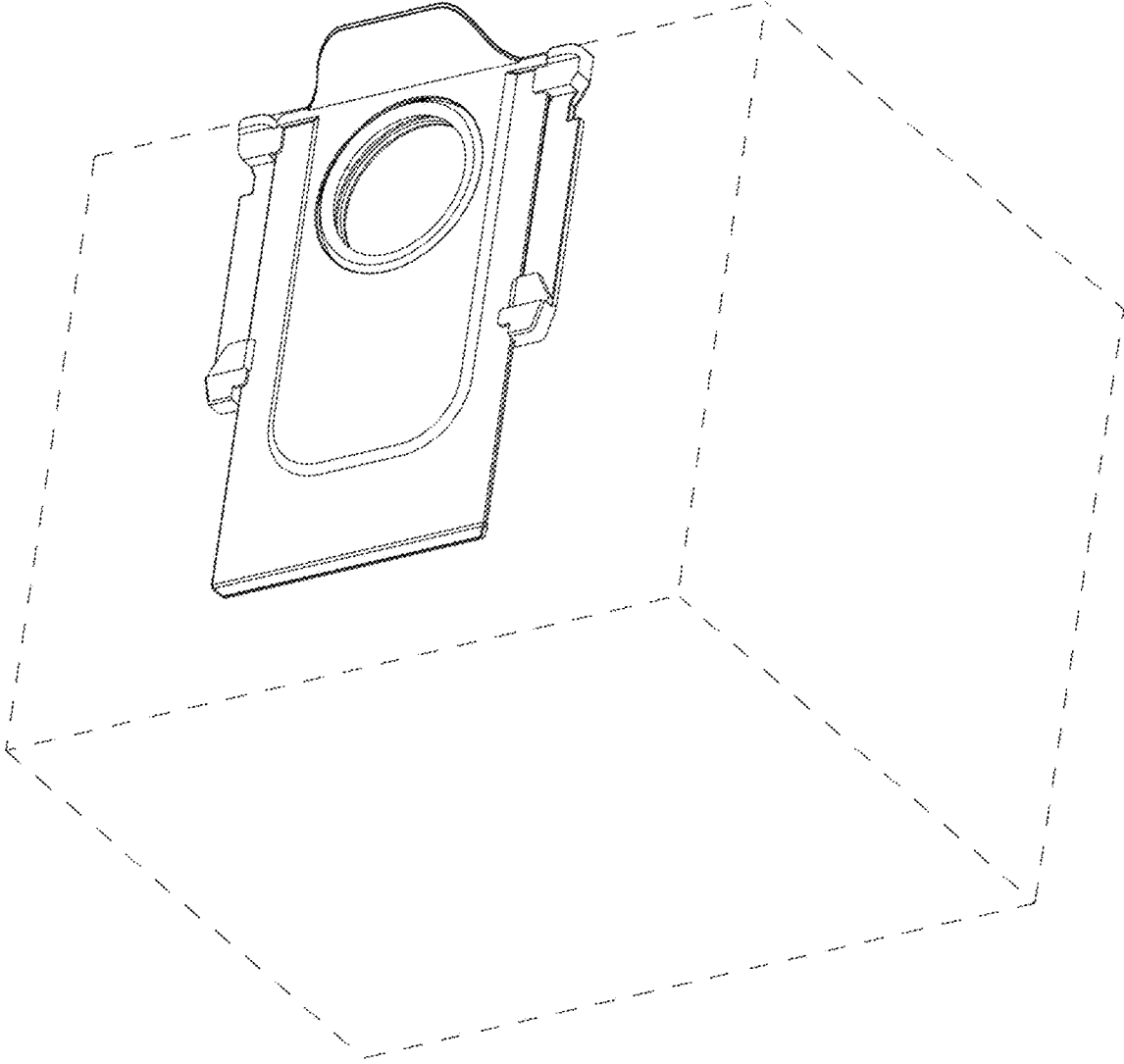
1.17



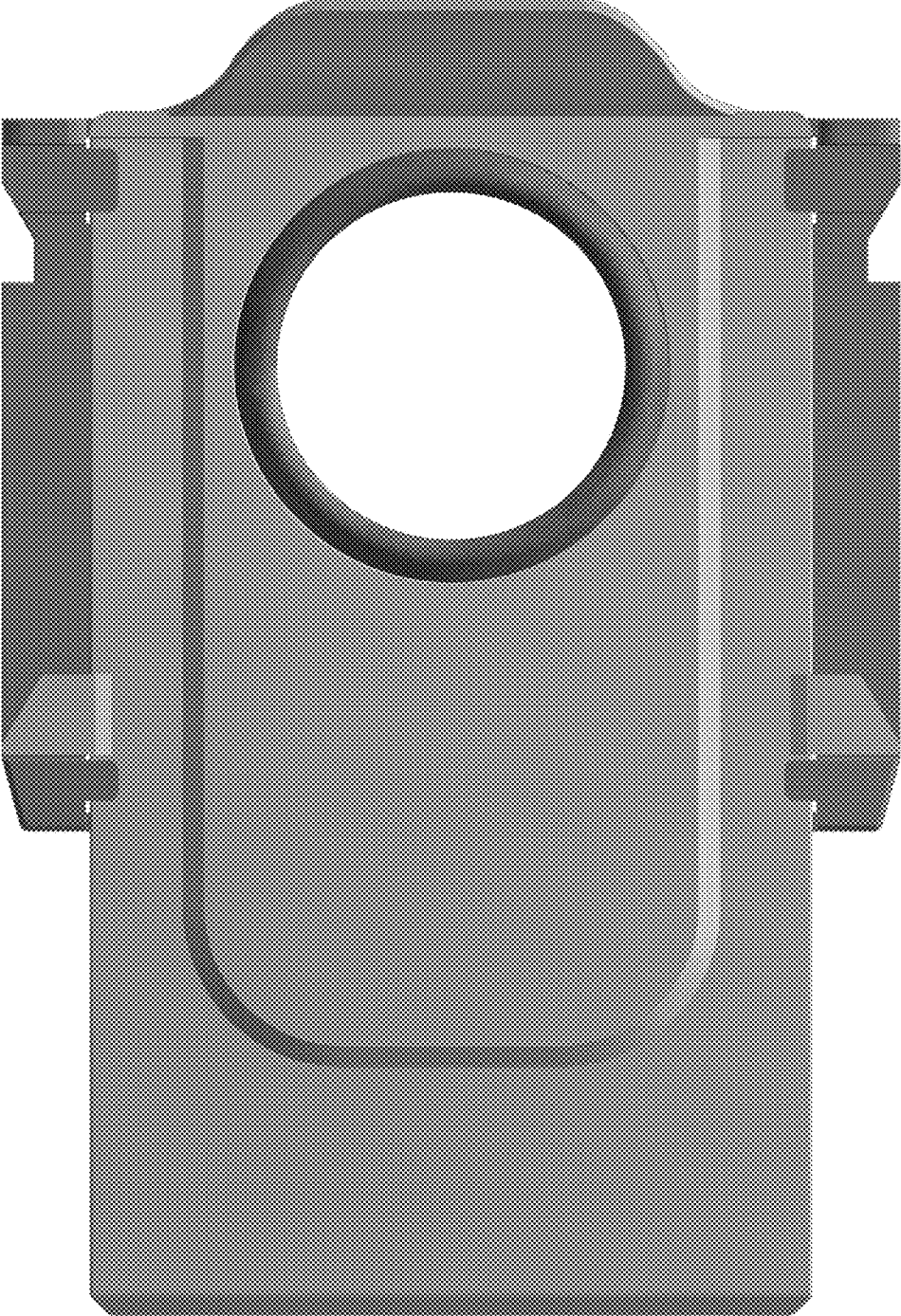
1.18



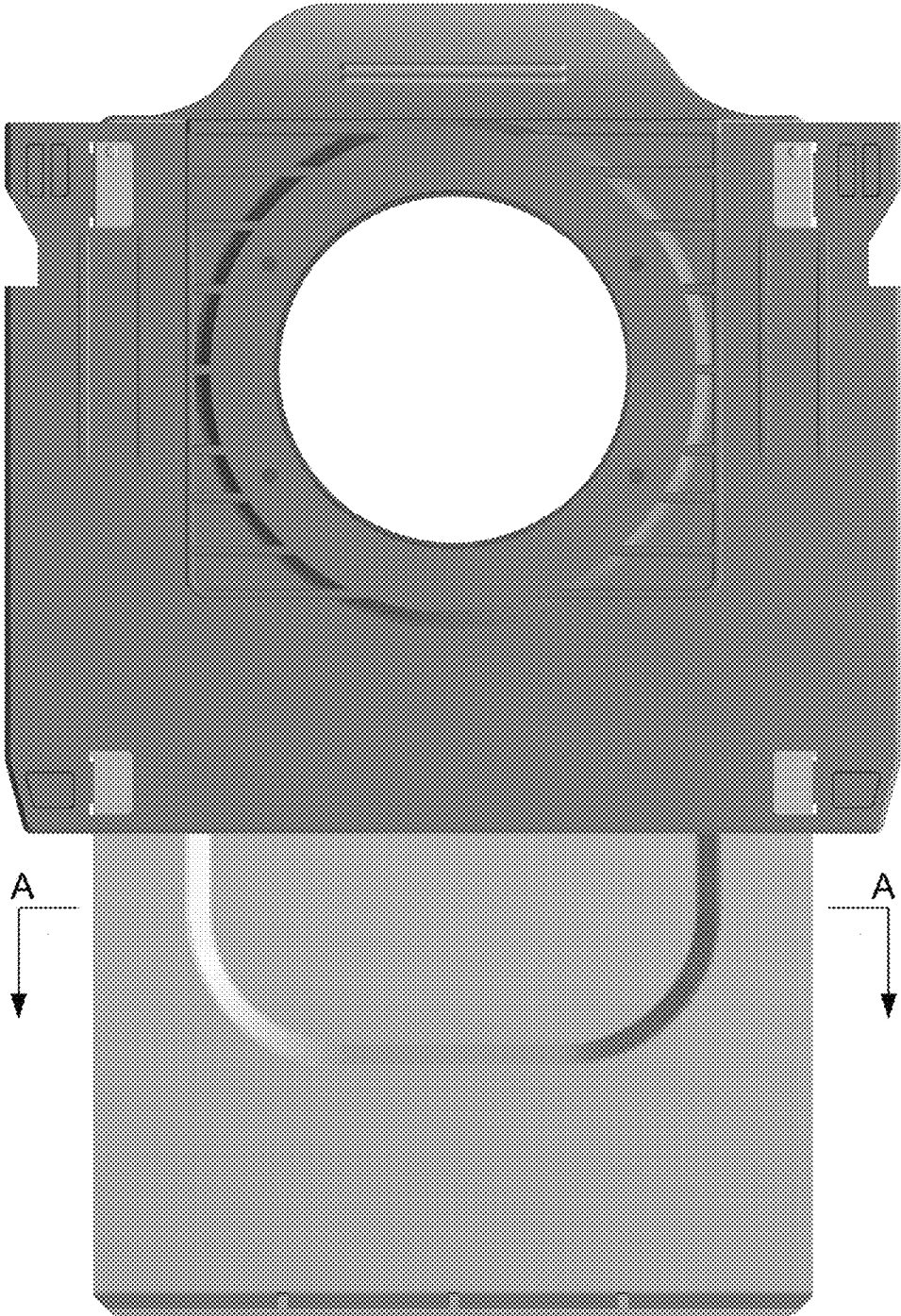
1.19



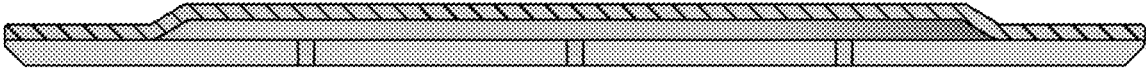
2.1



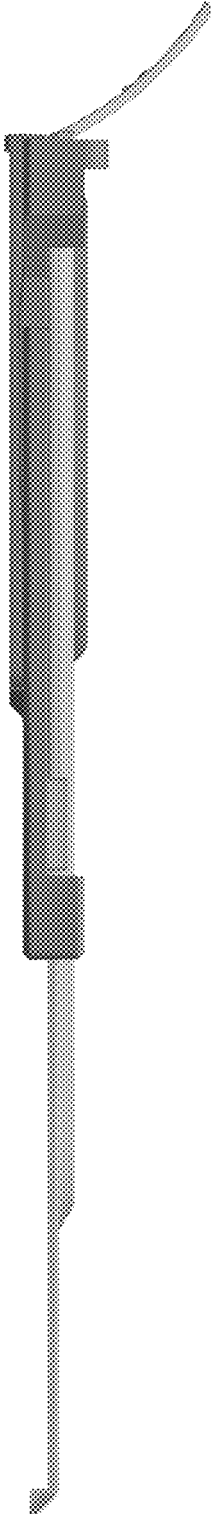
2.2



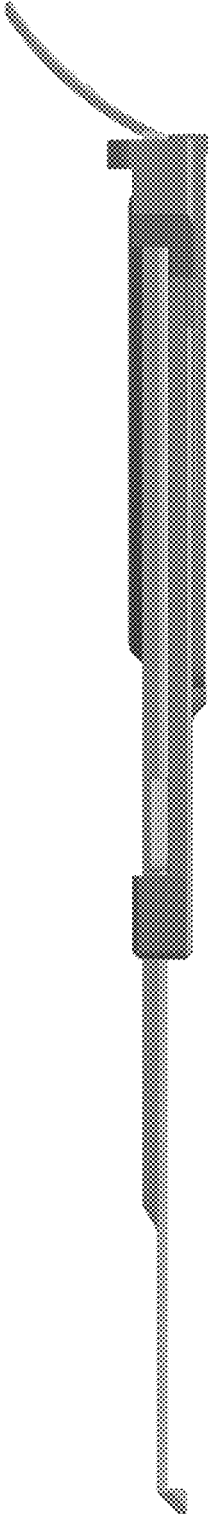
2.3



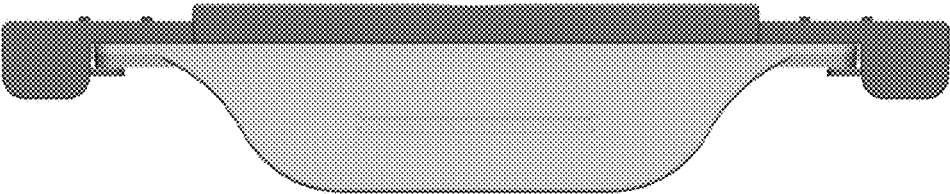
2.4



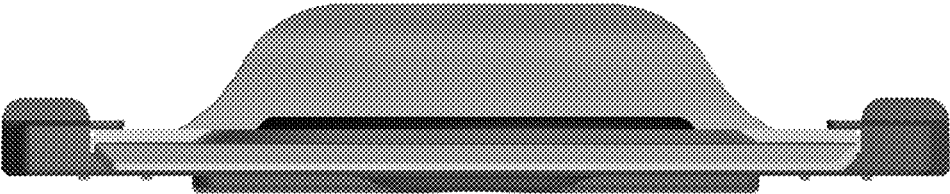
2.5



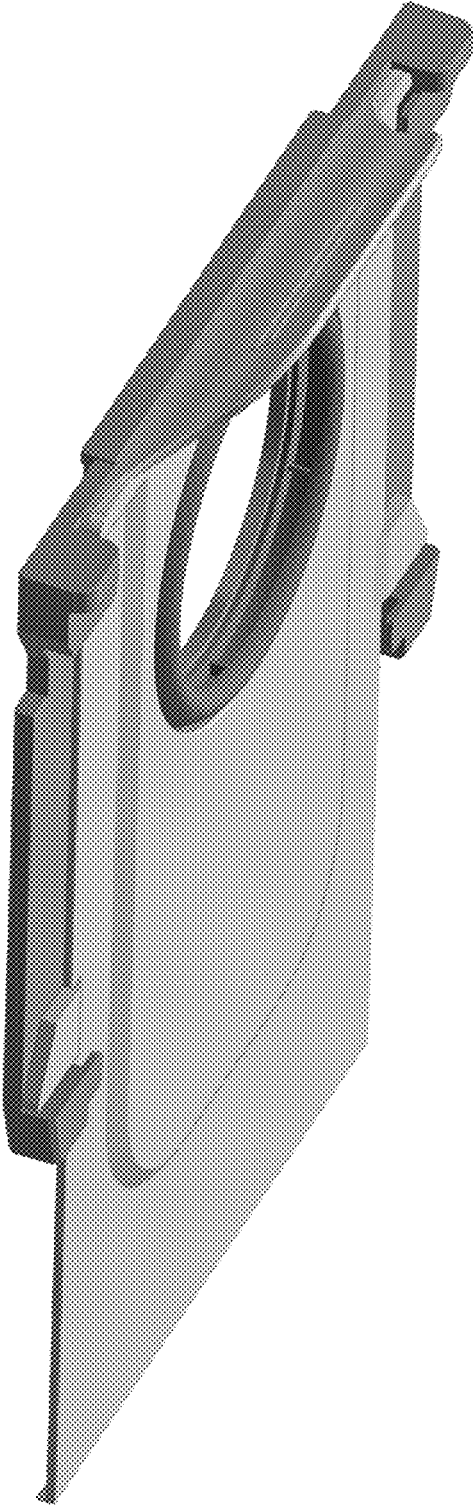
2.6



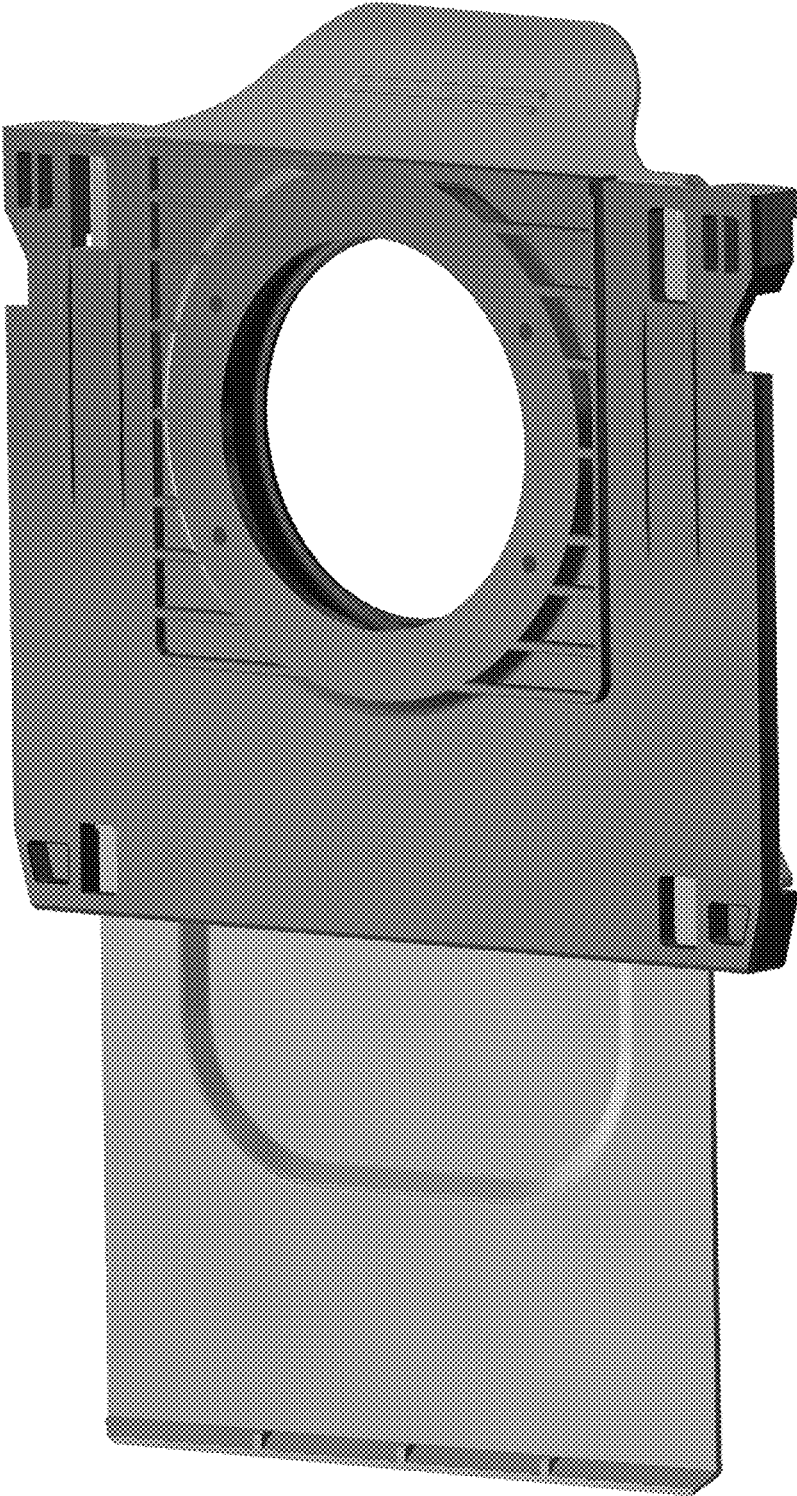
2.7



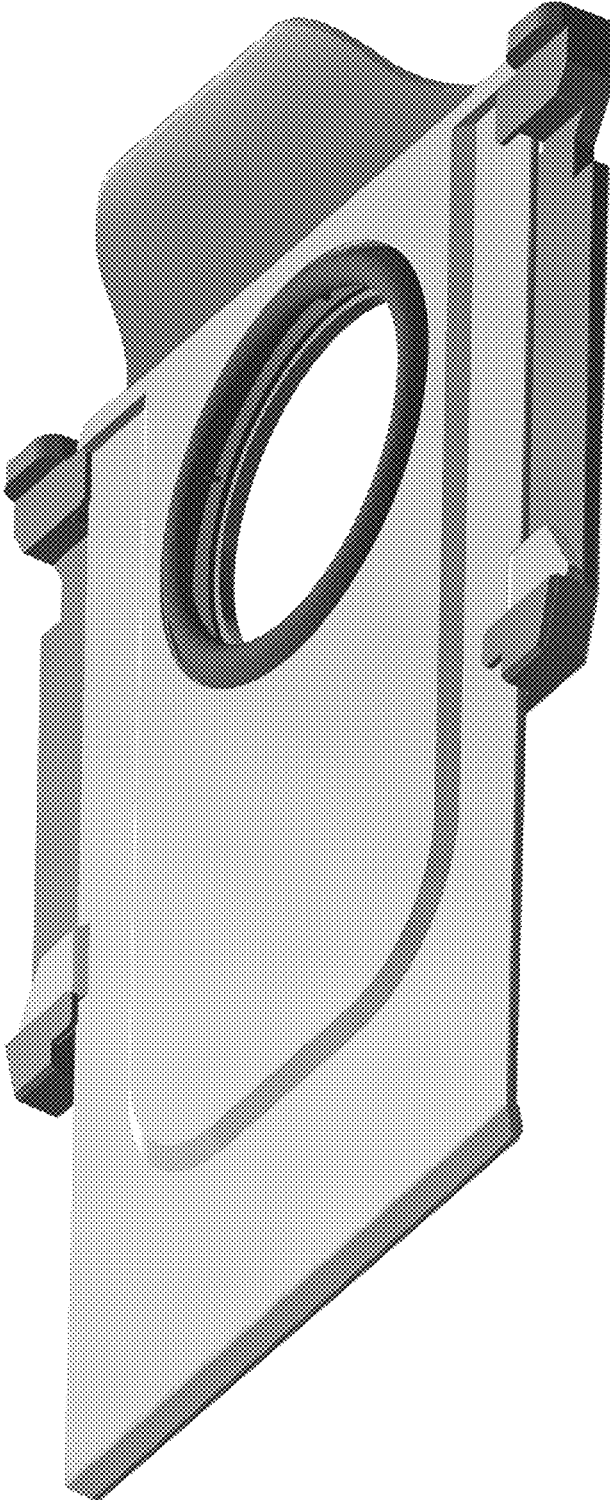
2.8



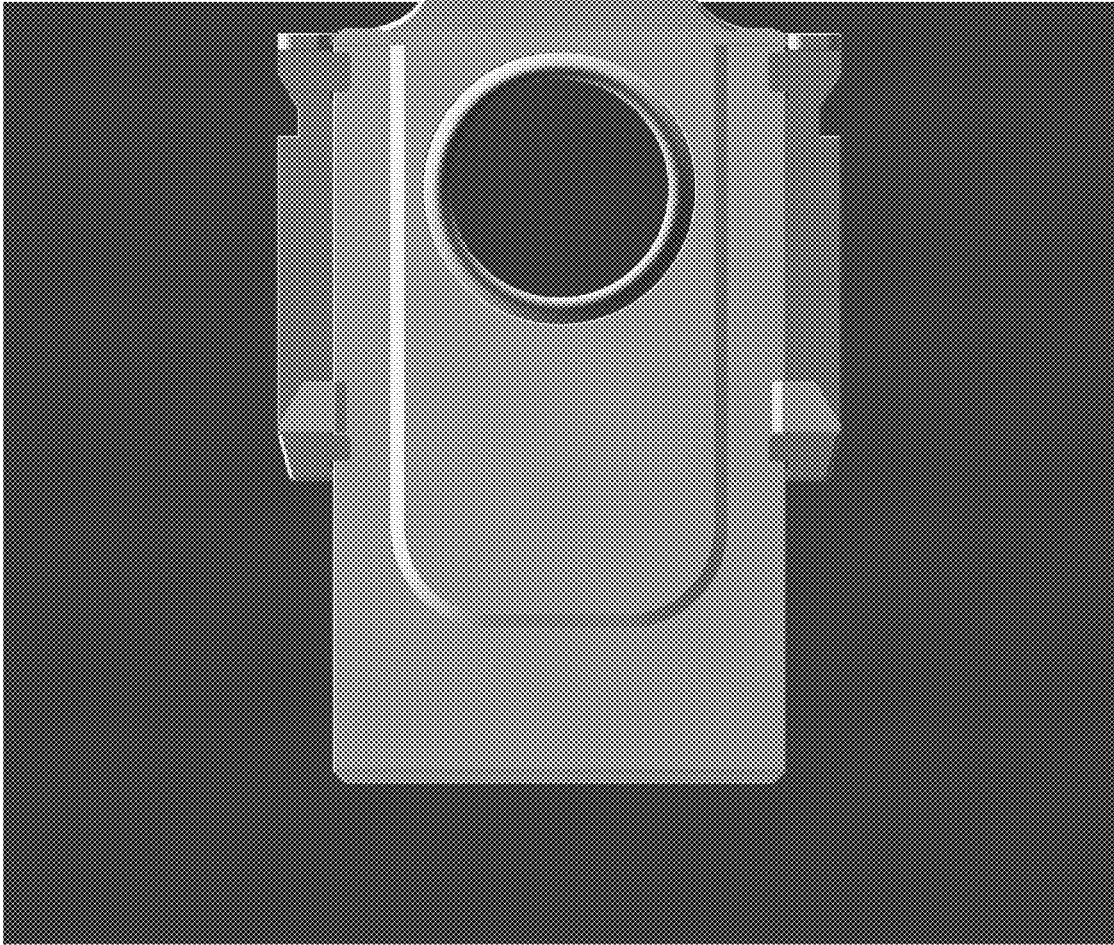
2.9



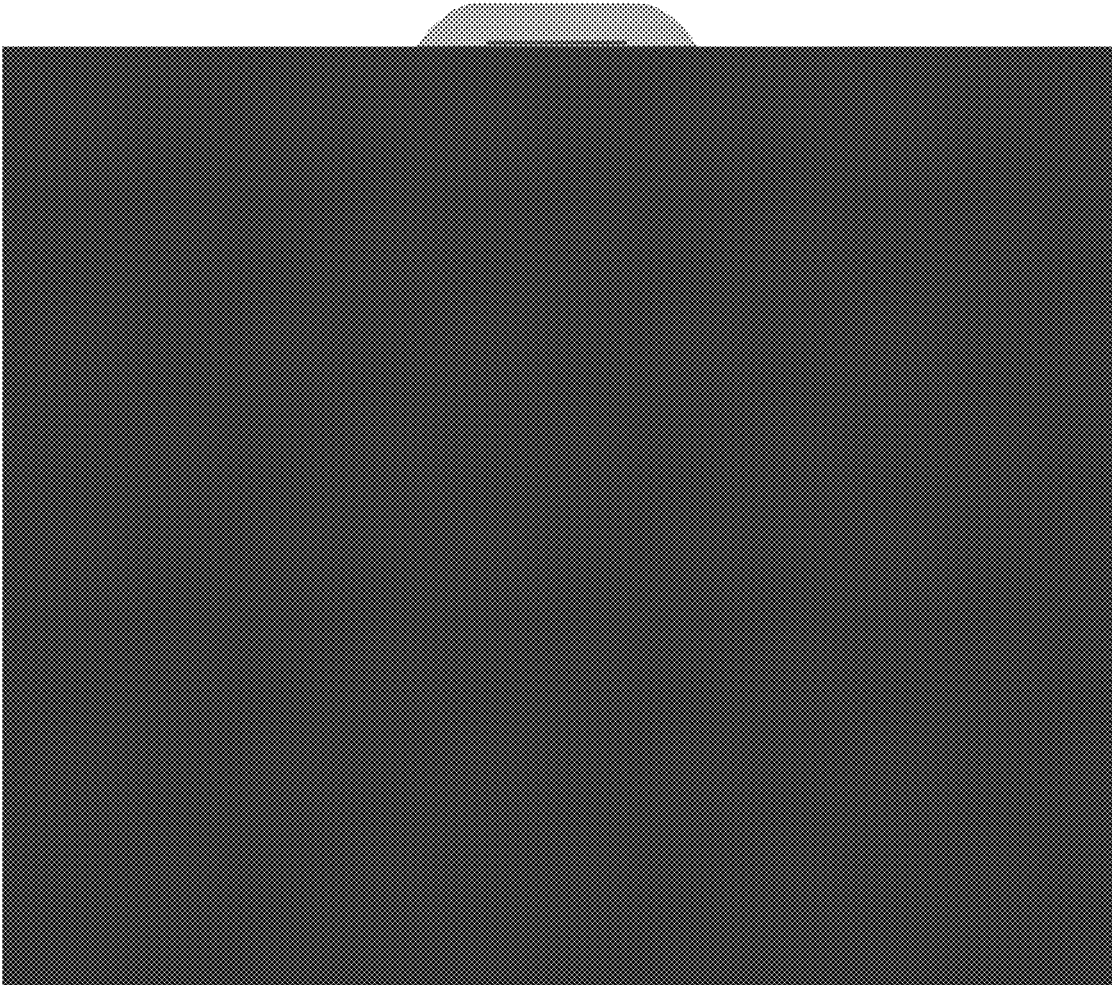
2.10



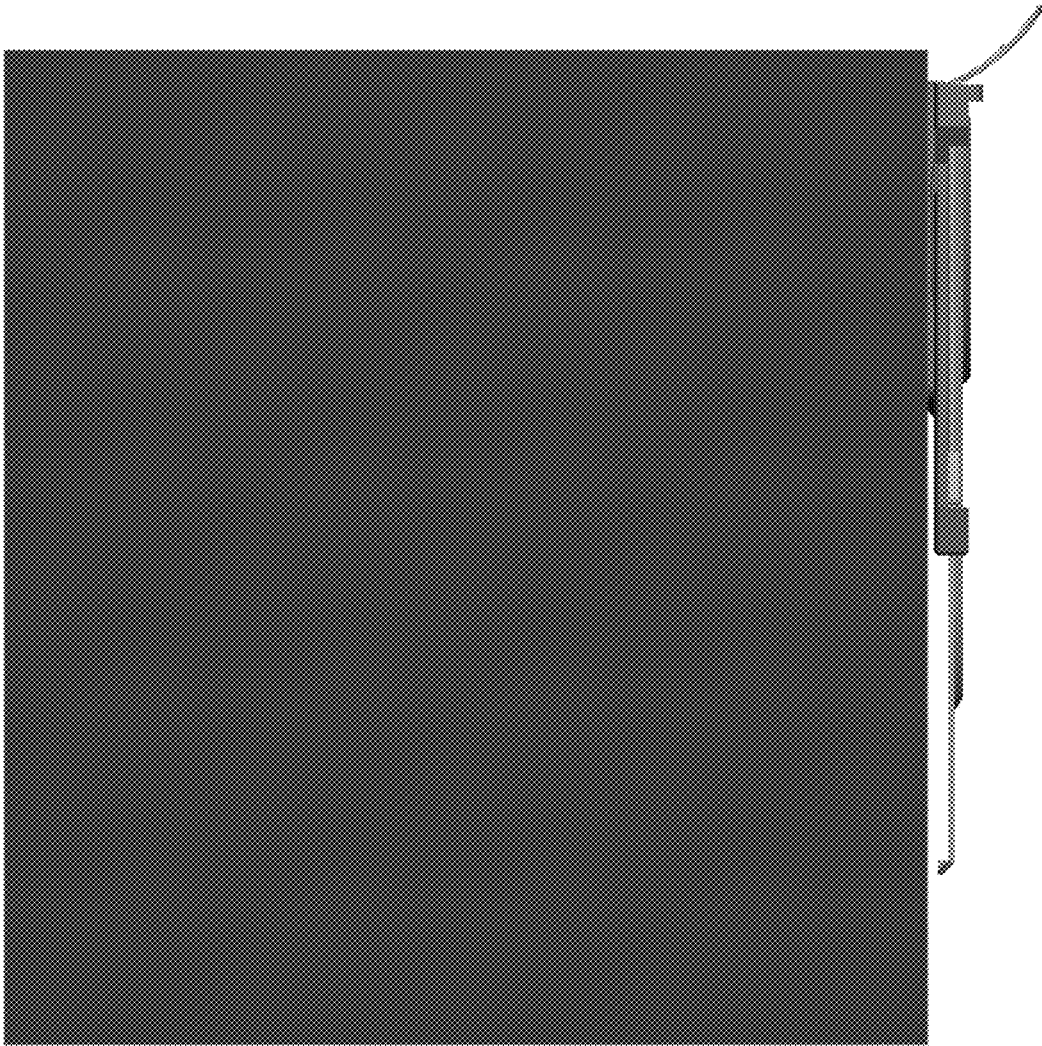
2.11



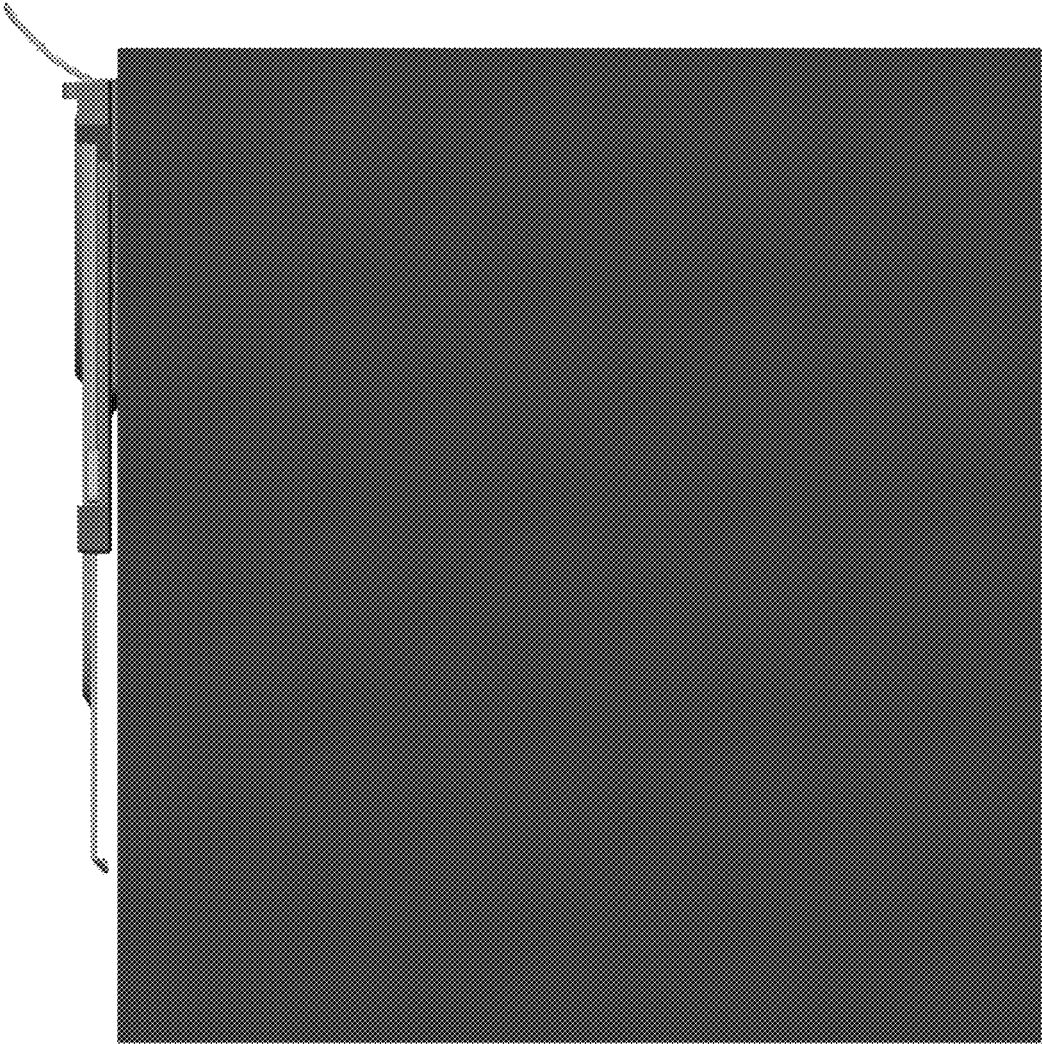
2.12



2.13



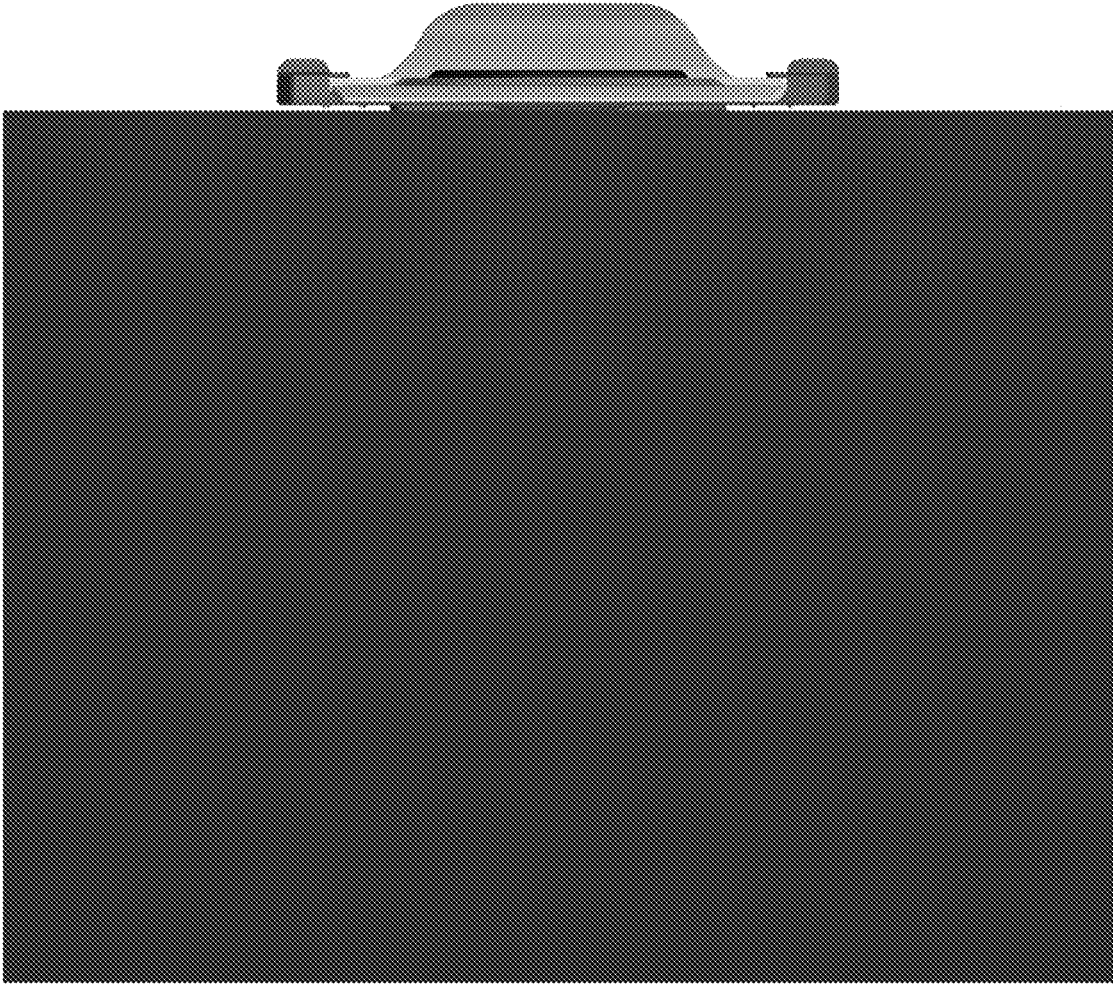
2.14



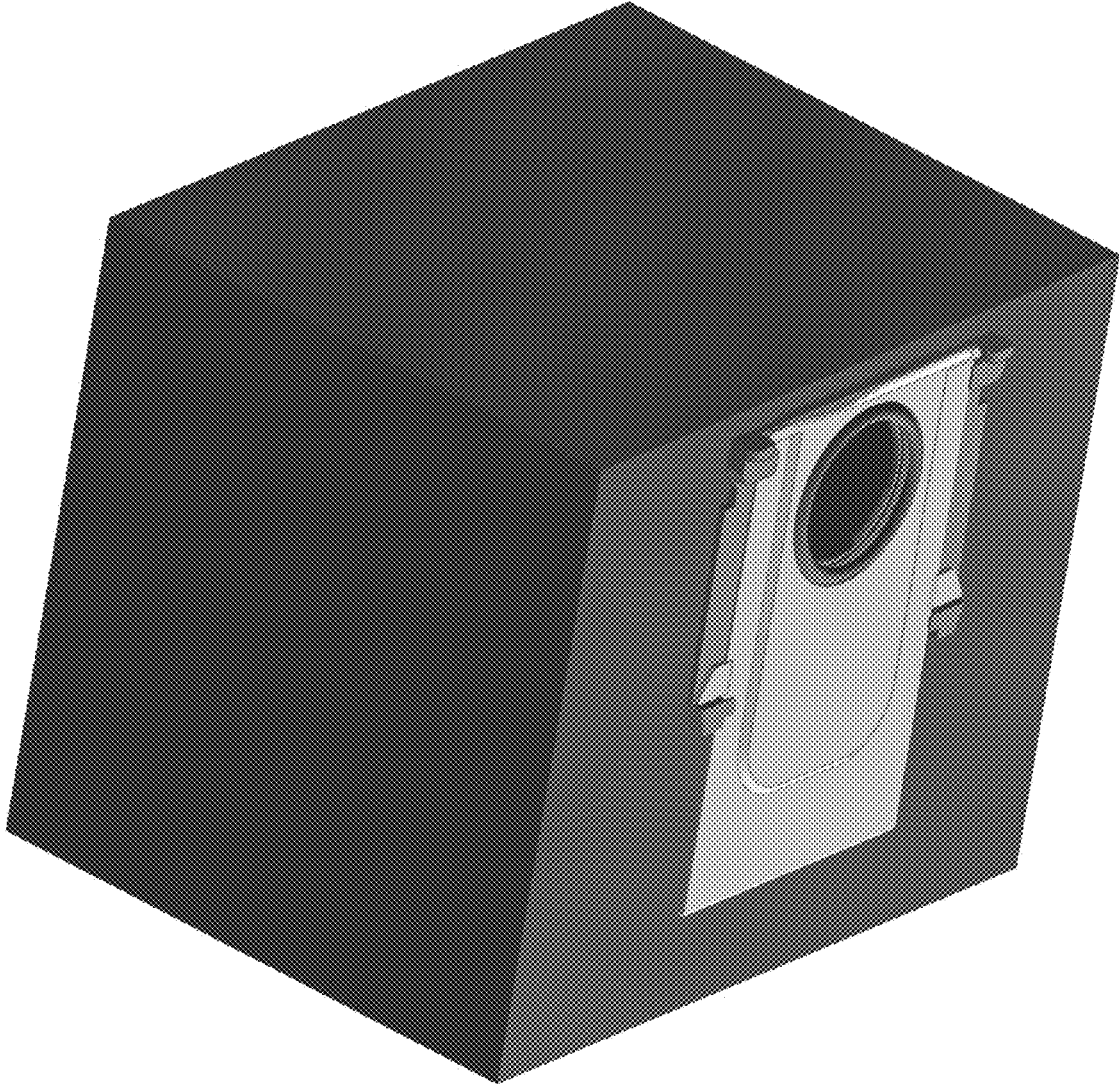
2.15



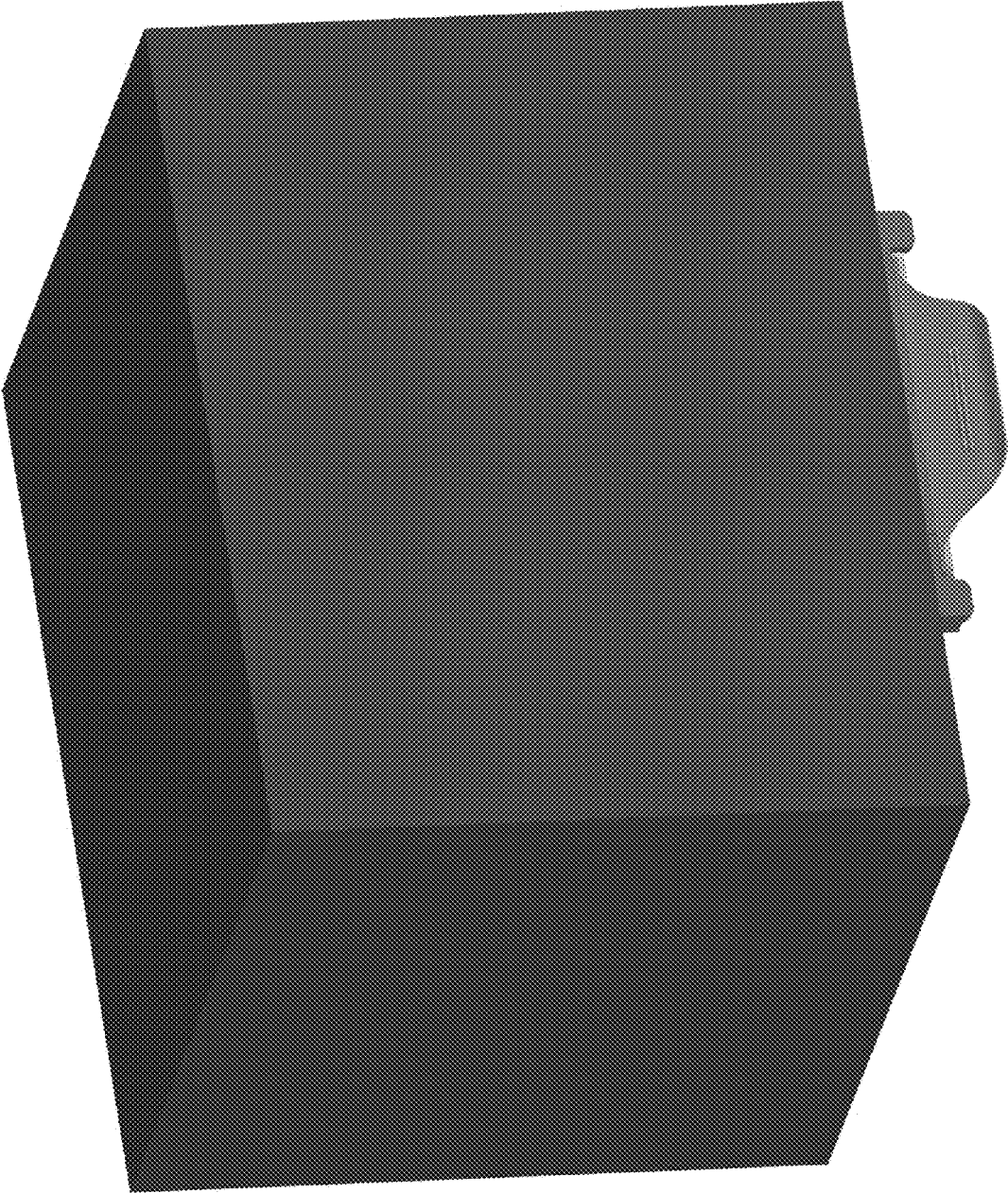
2.16



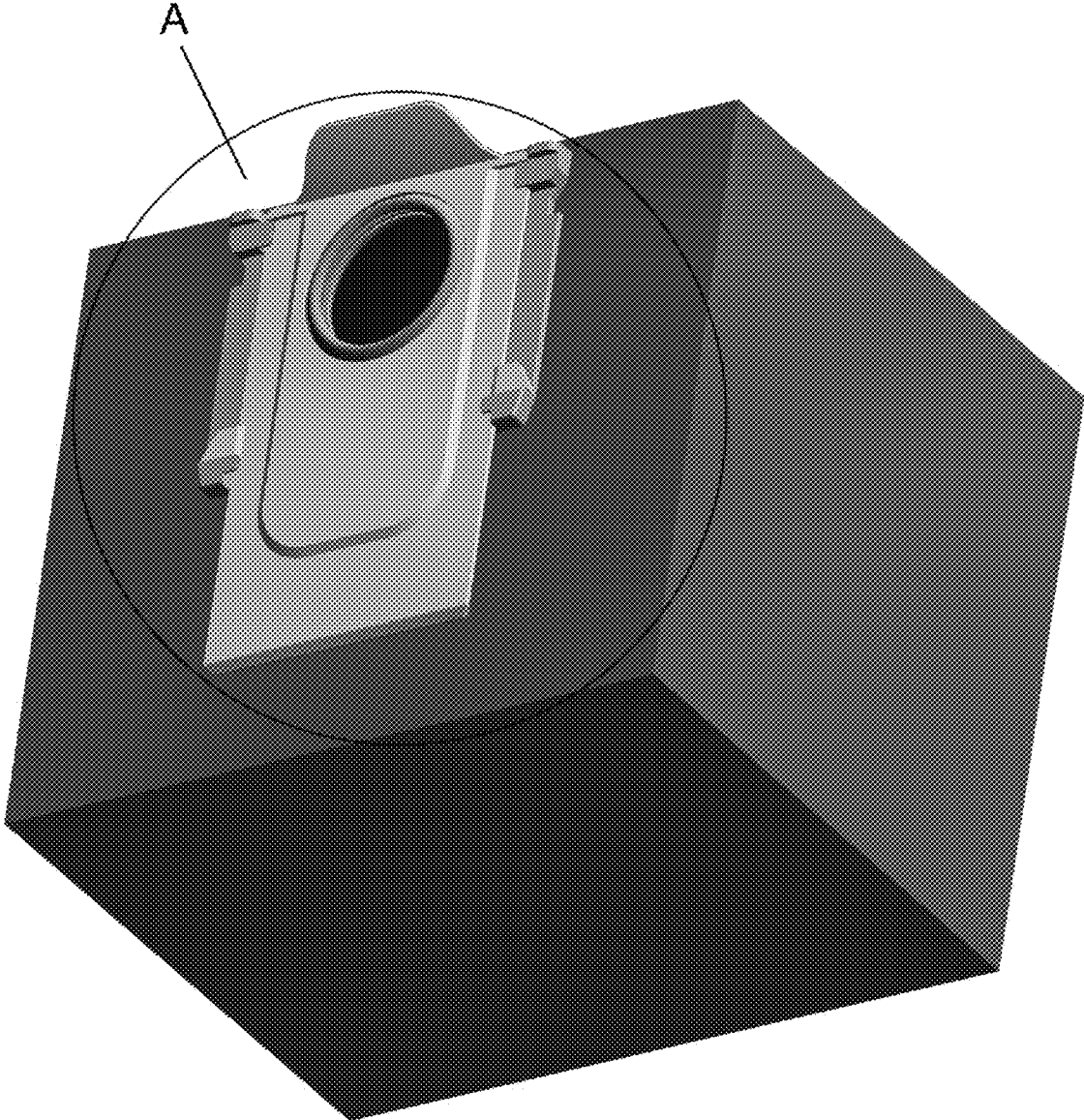
2.17



2.18



2.19



2.20

