



US00D426909S

United States Patent [19]
Swanson

[11] **Patent Number: Des. 426,909**
[45] **Date of Patent: ** Jun. 20, 2000**

[54] **TORCHIERE FLOOR LAMP**

Attorney, Agent, or Firm—Fulbright & Jaworski L.L.P.

[75] Inventor: **Dennis K. Swanson**, Woodland Hills, Calif.

[57] **CLAIM**

The ornamental design of a torchiere floor lamp, substantially as shown and described.

[73] Assignee: **Lamps Plus, Inc.**, Chatsworth, Calif.

[**] Term: **14 Years**

DESCRIPTION

[21] Appl. No.: **29/111,435**

FIG. 1 is a perspective view of a torchiere floor lamp of the present invention;

[22] Filed: **Sep. 28, 1999**

FIG. 2 is a front elevational view thereof;

[51] **LOC (7) Cl.** **26-03**

[52] **U.S. Cl.** **D26/110**

FIG. 3 is a rear elevational view thereof;

[58] **Field of Search** D26/93-112; 362/410-414

FIG. 4 is a right side view thereof;

[56] **References Cited**

U.S. PATENT DOCUMENTS

D. 381,759 7/1997 Yeh D26/106
5,997,160 12/1999 Swanson 361/410

FIG. 5 is a left side view thereof; and,

FIG. 6 is a top view thereof.

OTHER PUBLICATIONS

Taiwan Lighting, p. 199, Light A, top right side of page, Feb. 1997.

The surface(s) or portion(s) of the article not shown in the drawing or described in the specification form(s) no part of the claimed design.

Primary Examiner—Lisa Lichtenstein

1 Claim, 4 Drawing Sheets

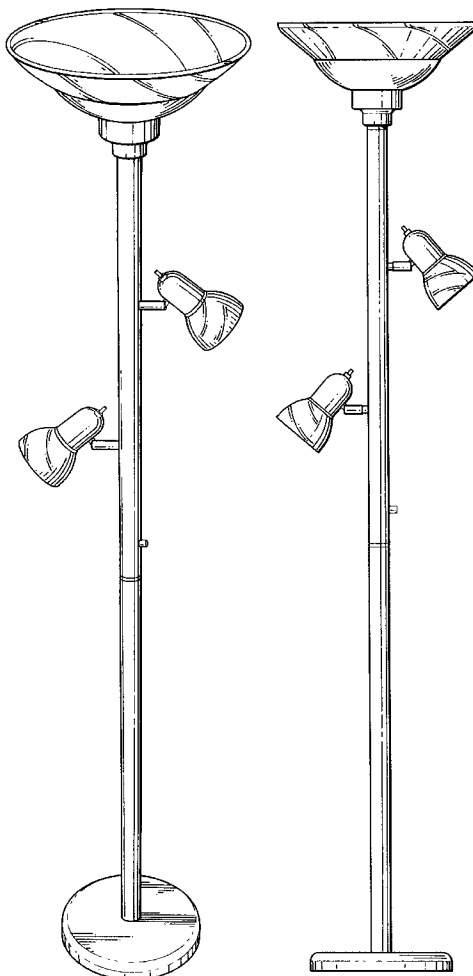


FIG. 1

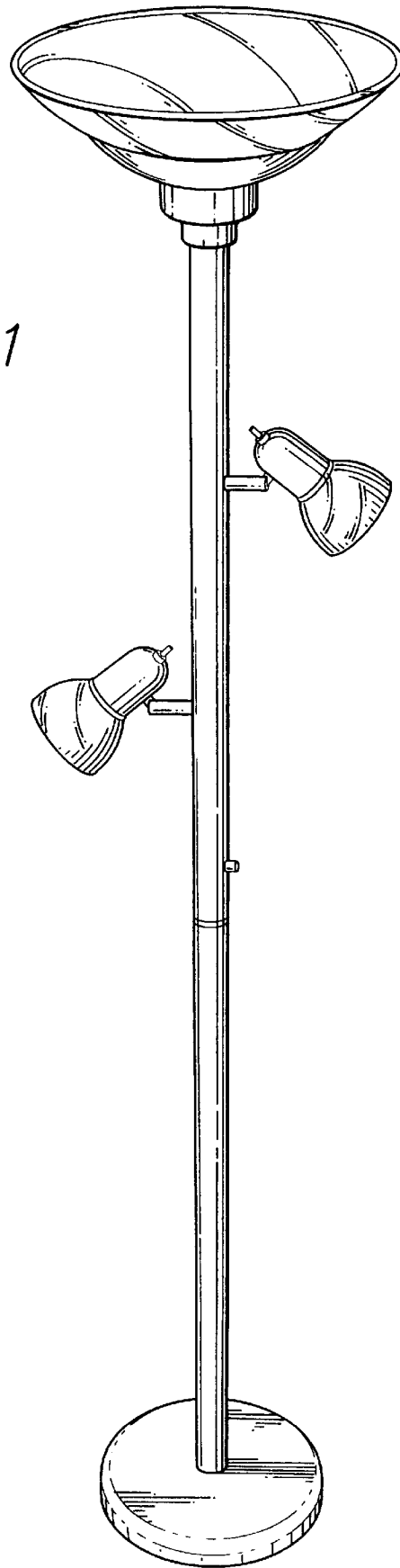
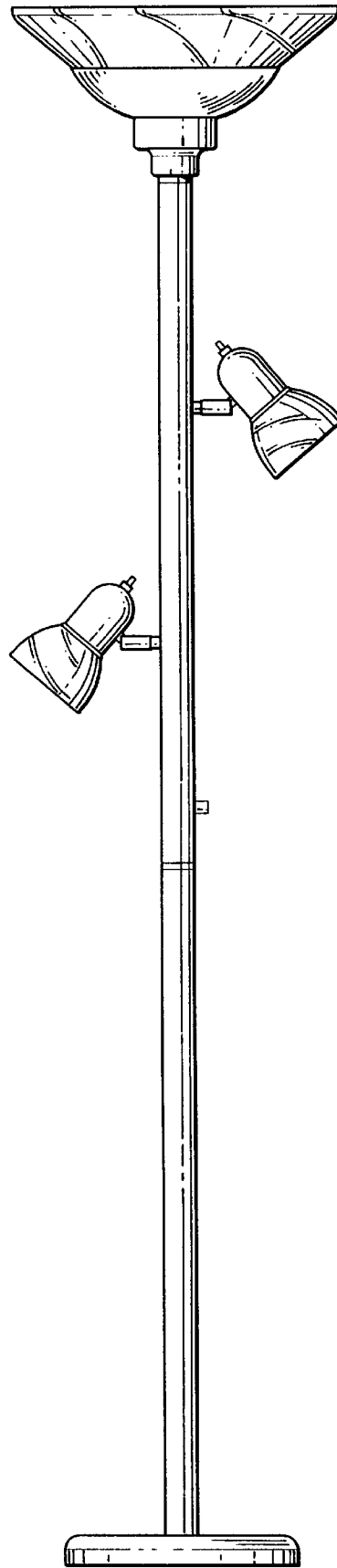


FIG. 2



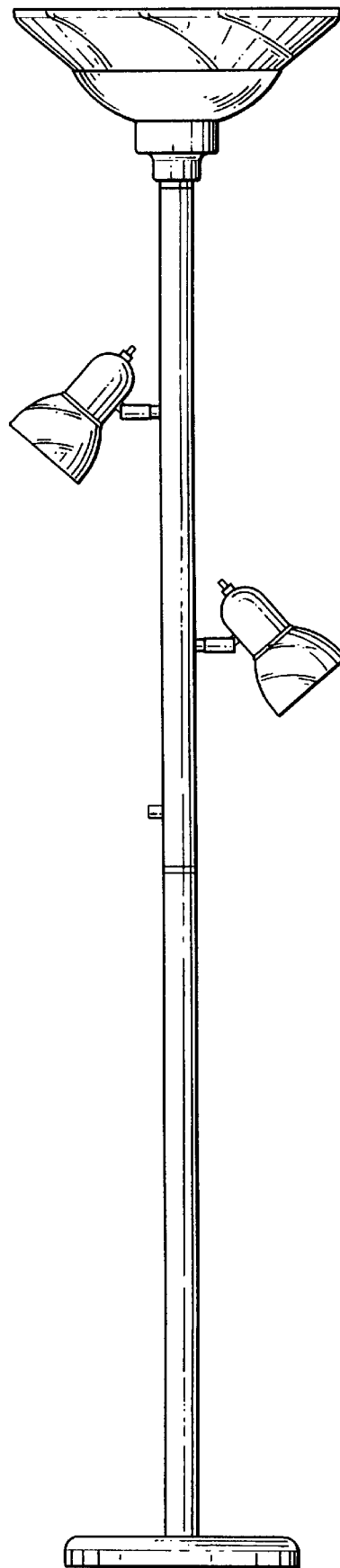


FIG. 3

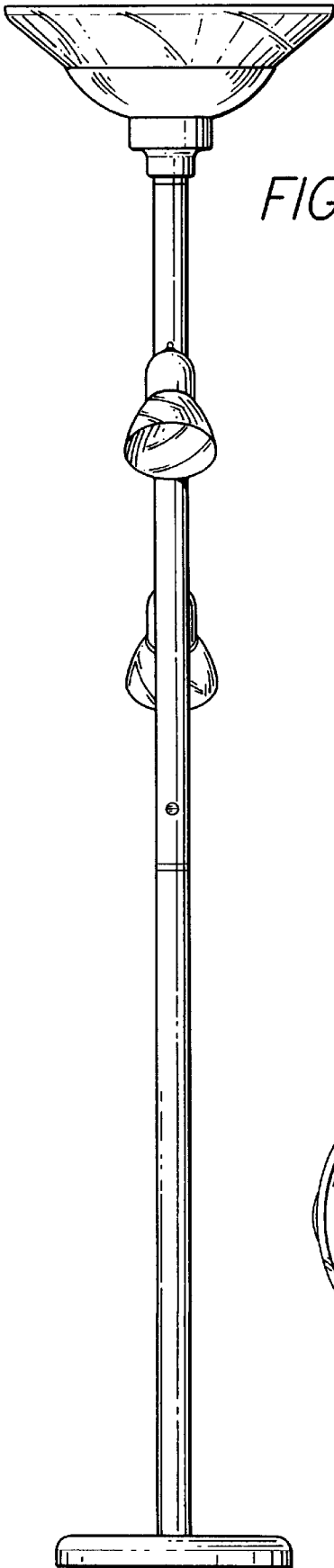


FIG. 4

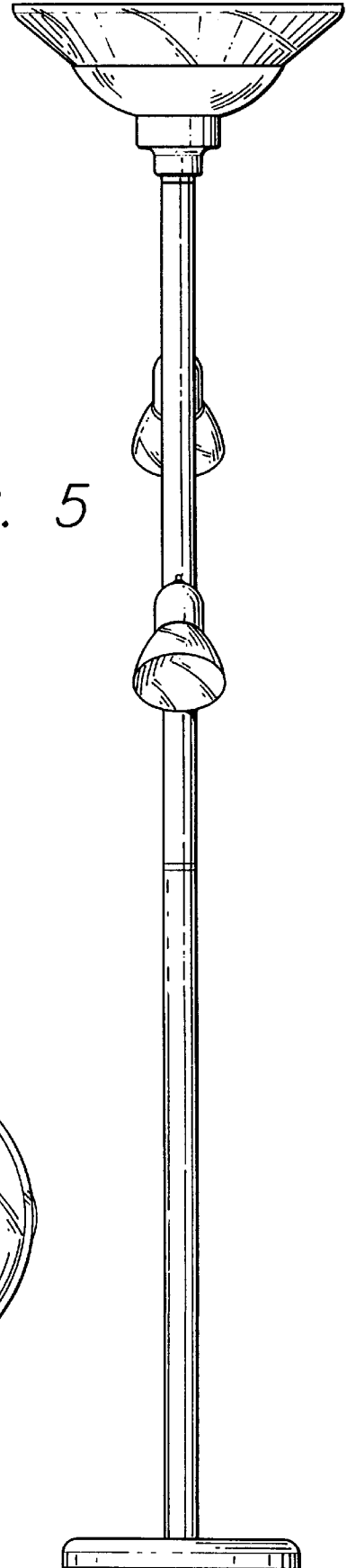


FIG. 5

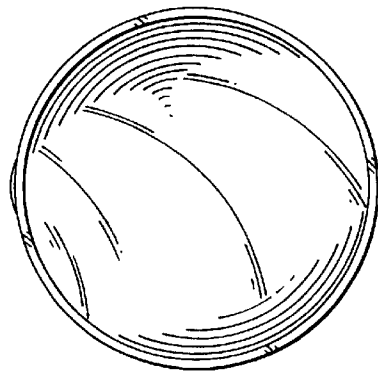


FIG. 6