



US00D989604S

(12) **United States Design Patent**
Meng

(10) **Patent No.:** **US D989,604 S**

(45) **Date of Patent:** **** Jun. 20, 2023**

- (54) **PASSWORD BOX**
- (71) Applicant: **WENZHOU HAOYI TECHNOLOGY CO., LTD**, Wenzhou (CN)
- (72) Inventor: **Qian Meng**, Wenzhou (CN)
- (**) Term: **15 Years**
- (21) Appl. No.: **29/790,057**
- (22) Filed: **Nov. 2, 2021**
- (51) **LOC (14) Cl.** **08-07**
- (52) **U.S. Cl.**
USPC **D8/346; D99/28**
- (58) **Field of Classification Search**
USPC D3/902, 905, 201, 272, 273;
D8/330-348, 350; D18/3.1, 3.3, 12.1;
D99/28, 34, 43
CPC A45C 1/12; A45C 2001/125; E05G 1/00;
E05G 5/00; E05G 7/00; E05G 7/001;
E05G 2700/00; E05G 2700/02; B63C
7/30; G07D 9/00; G07D 11/00; G07D
11/0021; G07D 13/00; G07D 2201/00;
G07D 2211/00; G07F 9/06
See application file for complete search history.

D571,524	S	*	6/2008	Kang	D99/28
D624,275	S	*	9/2010	Min	D99/28
D702,526	S	*	4/2014	Yang	D8/346
D748,365	S	*	1/2016	Nelson	D99/28
D750,340	S	*	2/2016	Stemen	D99/28
D759,340	S	*	6/2016	Nelson	D99/43
D803,508	S	*	11/2017	Horn	D99/28
10,253,529	B1	*	4/2019	McGinn	E05B 35/00
D866,913	S	*	11/2019	Xu	D99/28
D893,123	S	*	8/2020	Yu	D99/28
D912,365	S	*	3/2021	Shen	D99/28
D924,535	S	*	7/2021	Culbreth	D99/28
D935,729	S	*	11/2021	Chen	D99/28
D939,805	S	*	12/2021	Qian	D99/28
D946,235	S	*	3/2022	Baker	D99/28
D952,985	S	*	5/2022	Zhu	D99/28
D954,384	S	*	6/2022	Zhu	D99/28

(Continued)

Primary Examiner — David G Muller
Assistant Examiner — Christina Gabrielle Cosden
(74) *Attorney, Agent, or Firm* — Xiaofang Zhong

(57) **CLAIM**

The ornamental design for a password box, as shown and described.

DESCRIPTION

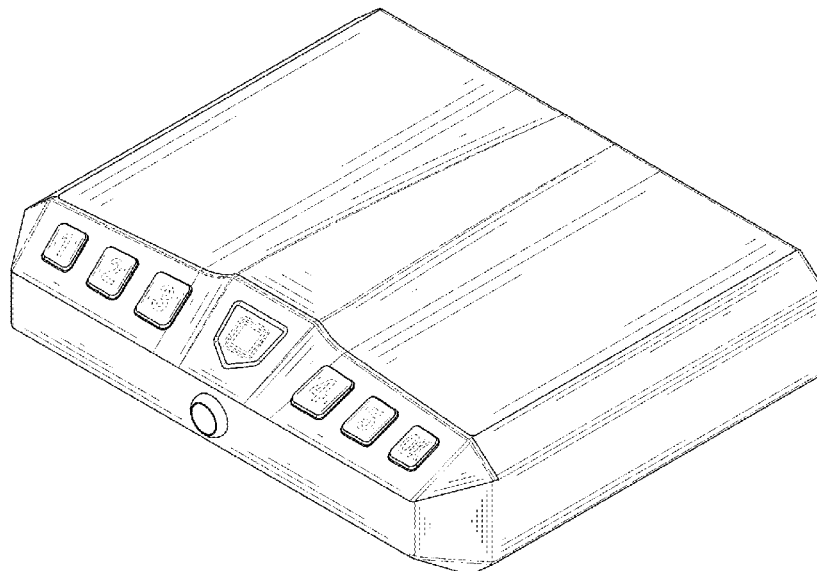
FIG. 1 is a first perspective view of a password box showing, my new design;
FIG. 2 is a second perspective view thereof;
FIG. 3 is a front view thereof;
FIG. 4 is a back view thereof;
FIG. 5 is a left side view thereof;
FIG. 6 is a right side view thereof;
FIG. 7 is a top view thereof; and,
FIG. 8 is a bottom view thereof.
The broken lines shown in the drawings depict, portions of the password box in which the design is embodied that form no part of the claimed design.

1 Claim, 8 Drawing Sheets

(56) **References Cited**

U.S. PATENT DOCUMENTS

3,514,981	A	*	6/1970	Esquibel	E05B 37/16 70/68
3,590,614	A	*	7/1971	Kunst	E05B 37/16 70/238
D285,988	S	*	10/1986	Sakai	D99/28
D303,864	S	*	10/1989	Sano	D99/43
D399,632	S	*	10/1998	Davis	D99/28
D449,161	S	*	10/2001	Gillespie	E05B 73/0023 D3/276
D474,596	S	*	5/2003	Osiecki	D3/273
D541,045	S	*	4/2007	Peart	D99/28
D558,977	S	*	1/2008	Peart	D99/28



(56)

References Cited

U.S. PATENT DOCUMENTS

D954,385	S	*	6/2022	Zhu	D99/28
D959,785	S	*	8/2022	Culbreth	D99/28
D962,585	S	*	8/2022	Chen	D99/28
D968,747	S	*	11/2022	Chen	D99/28
D969,445	S	*	11/2022	Deng	D99/28
D970,847	S	*	11/2022	Chen	D99/28
2003/0000857	A1	*	1/2003	Jones	E05B 73/0082 361/679.08

* cited by examiner

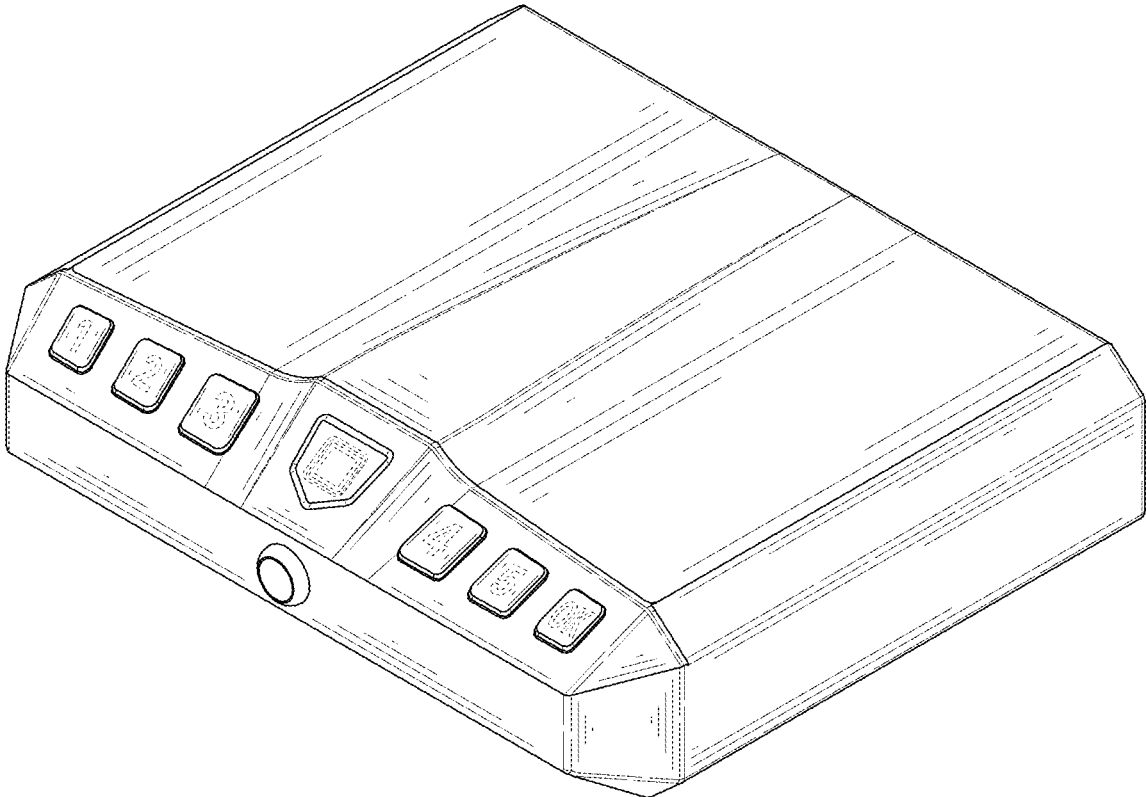


FIG. 1

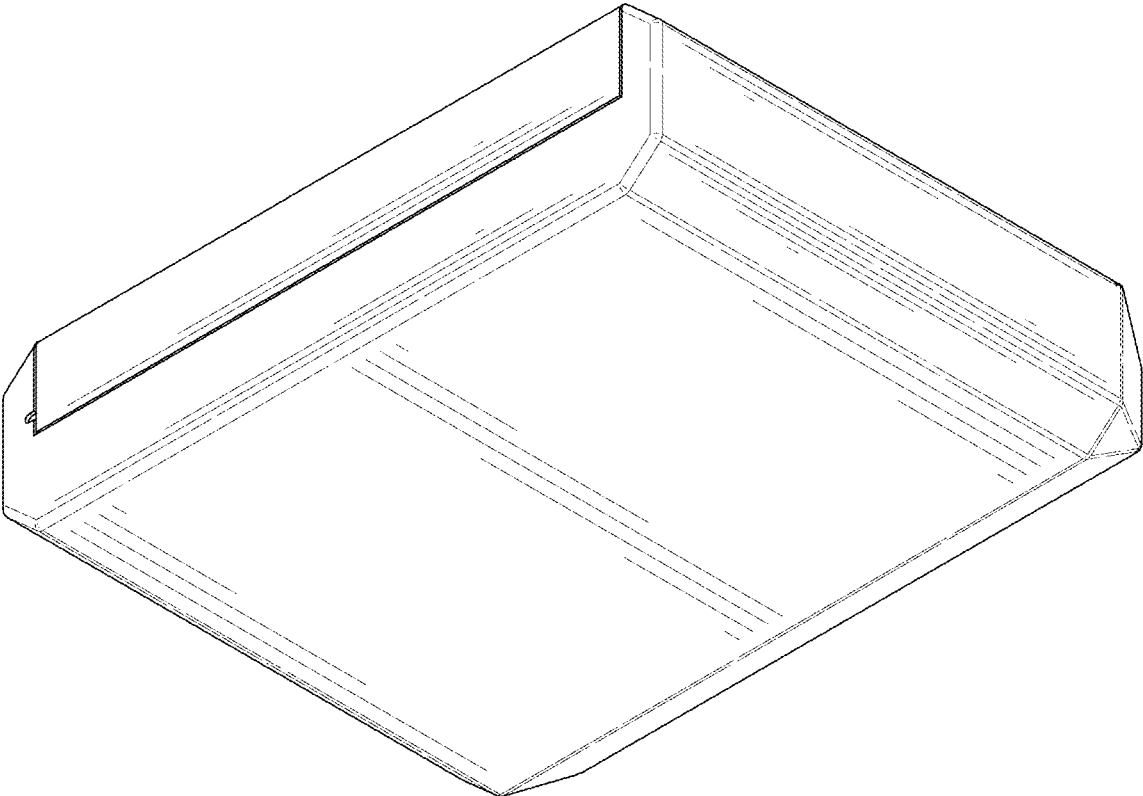


FIG. 2

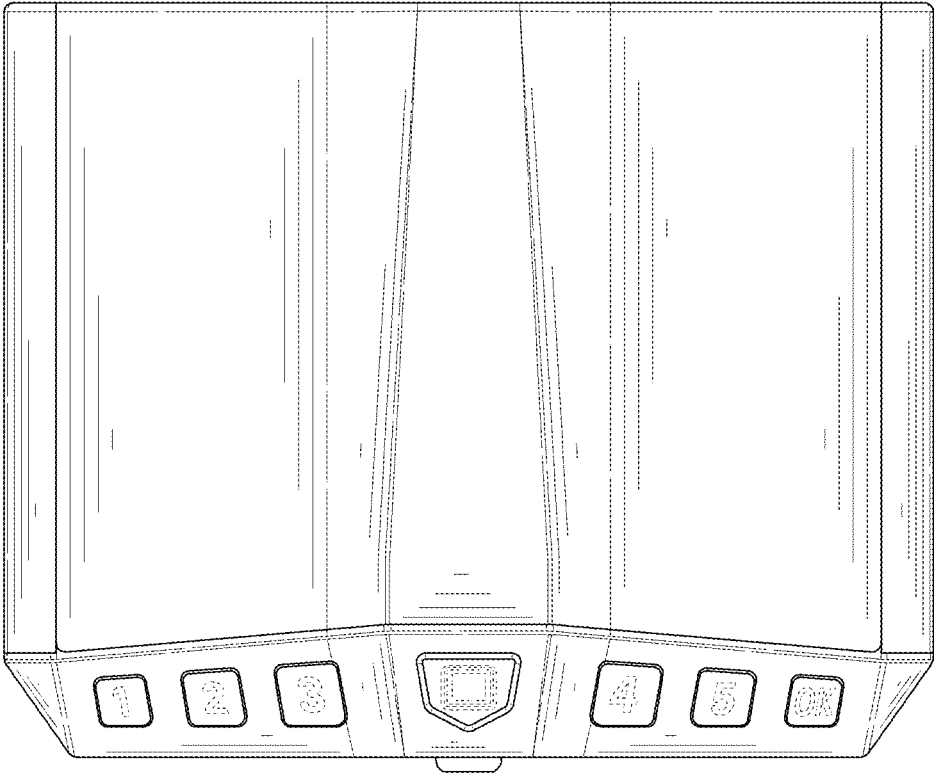


FIG. 3

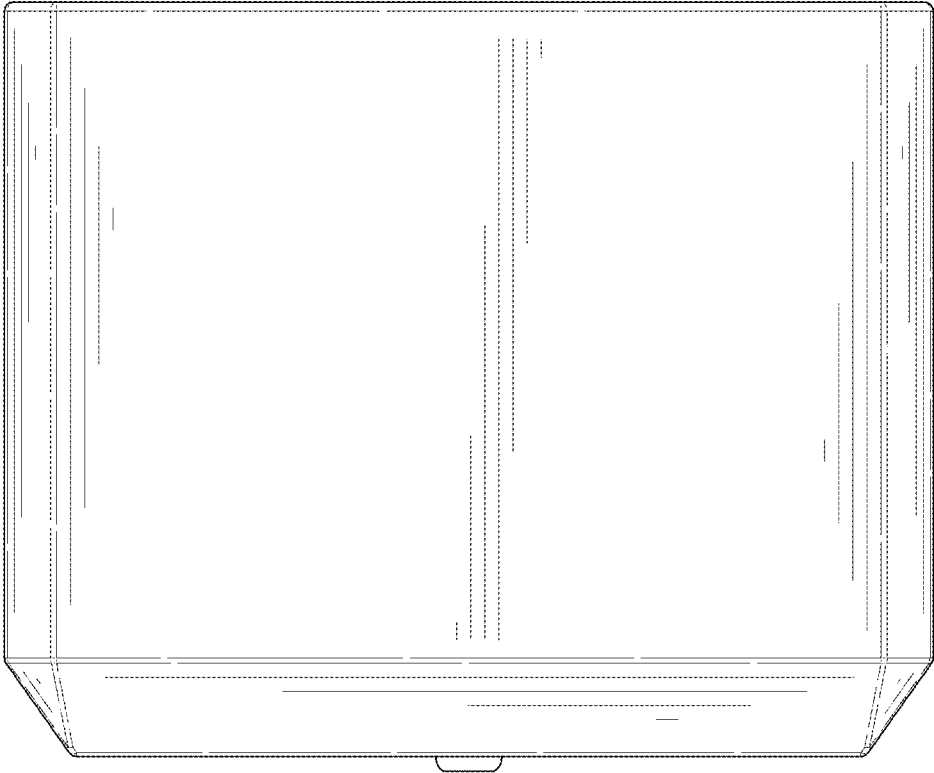


FIG. 4

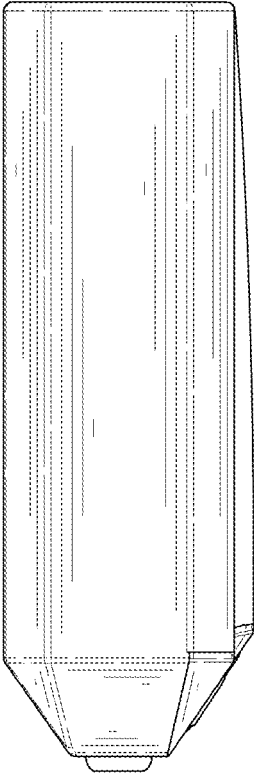


FIG. 5

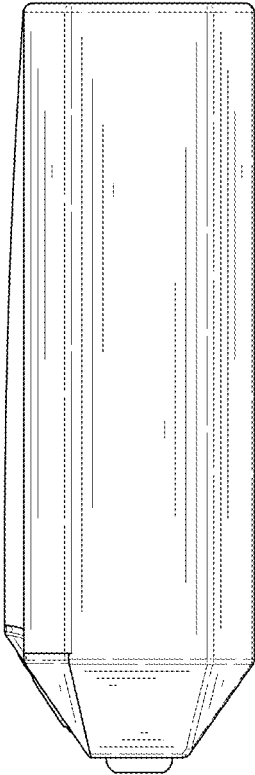


FIG. 6

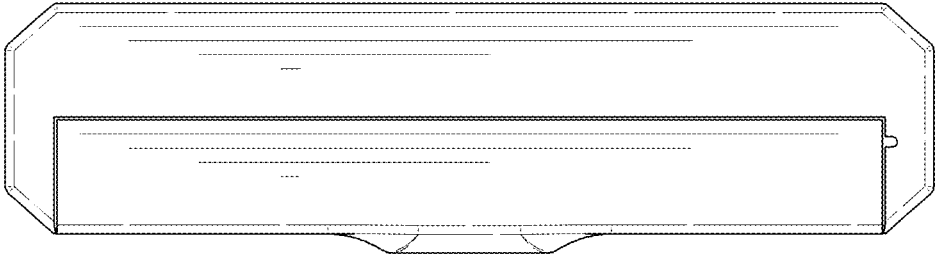


FIG. 7

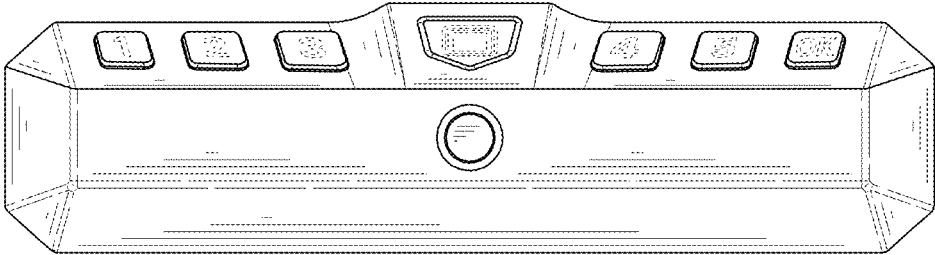


FIG. 8