



US00D481965S

(12) **United States Design Patent** (10) **Patent No.:** **US D481,965 S**
Feit et al. (45) **Date of Patent:** **** Nov. 11, 2003**

(54) **CHANNELIZER DRUM AND HANDLE**

(75) Inventors: **Corey Feit**, University City, MO (US);
John L. Garavaglia, III, Chesterfield,
MO (US)

(73) Assignee: **Flexolite**, St. Charles, MO (US)

(**) Term: **14 Years**

(21) Appl. No.: **29/174,609**

(22) Filed: **Jan. 17, 2003**

(51) **LOC (7) Cl.** **10-05**

(52) **U.S. Cl.** **D10/113**

(58) **Field of Search** D10/109, 113;
116/63 P; 404/6, 9; 264/306

D344,033 S * 2/1994 Davidge D10/113
5,451,118 A 9/1995 Wilkins et al. 404/6
5,630,675 A 5/1997 Boeger 404/6
5,722,788 A * 3/1998 Bent et al. 404/6
5,795,530 A * 8/1998 Monda et al. 264/306
D412,131 S 7/1999 Bent et al.
D440,172 S * 4/2001 Cuttill et al. D10/113
6,478,505 B1 * 11/2002 Kulp et al. 404/6

* cited by examiner

Primary Examiner—Antoine Duval Davis

(74) *Attorney, Agent, or Firm*—Dunlap Coddling & Rogers

(57) **CLAIM**

The ornamental design for a channelizer drum and handle, as shown and described.

DESCRIPTION

FIG. 1 is a perspective view of a channelizer drum and handle showing my new design.

FIG. 2 is a front elevational view thereof, the opposite side being a mirror image thereof.

FIG. 3 is a side elevational view thereof, the opposite side being a mirror image thereof; and,

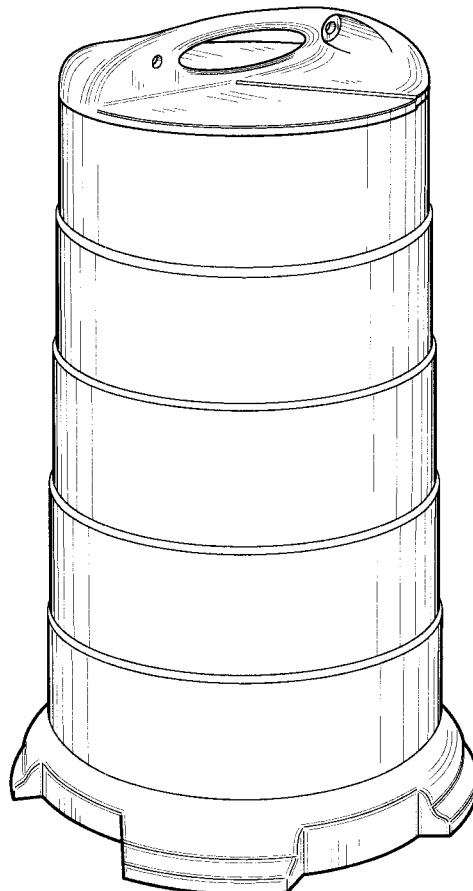
FIG. 4 is a top plan view thereof.

1 Claim, 3 Drawing Sheets

(56) **References Cited**

U.S. PATENT DOCUMENTS

4,674,431 A 6/1987 Cory 116/63
4,710,053 A 12/1987 Kulp et al. 404/9
D309,585 S * 7/1990 Kulp D10/113
5,026,204 A 6/1991 Kulp et al. 404/10
5,201,599 A 4/1993 Kulp et al. 404/6
5,234,280 A 8/1993 Cowan 404/6



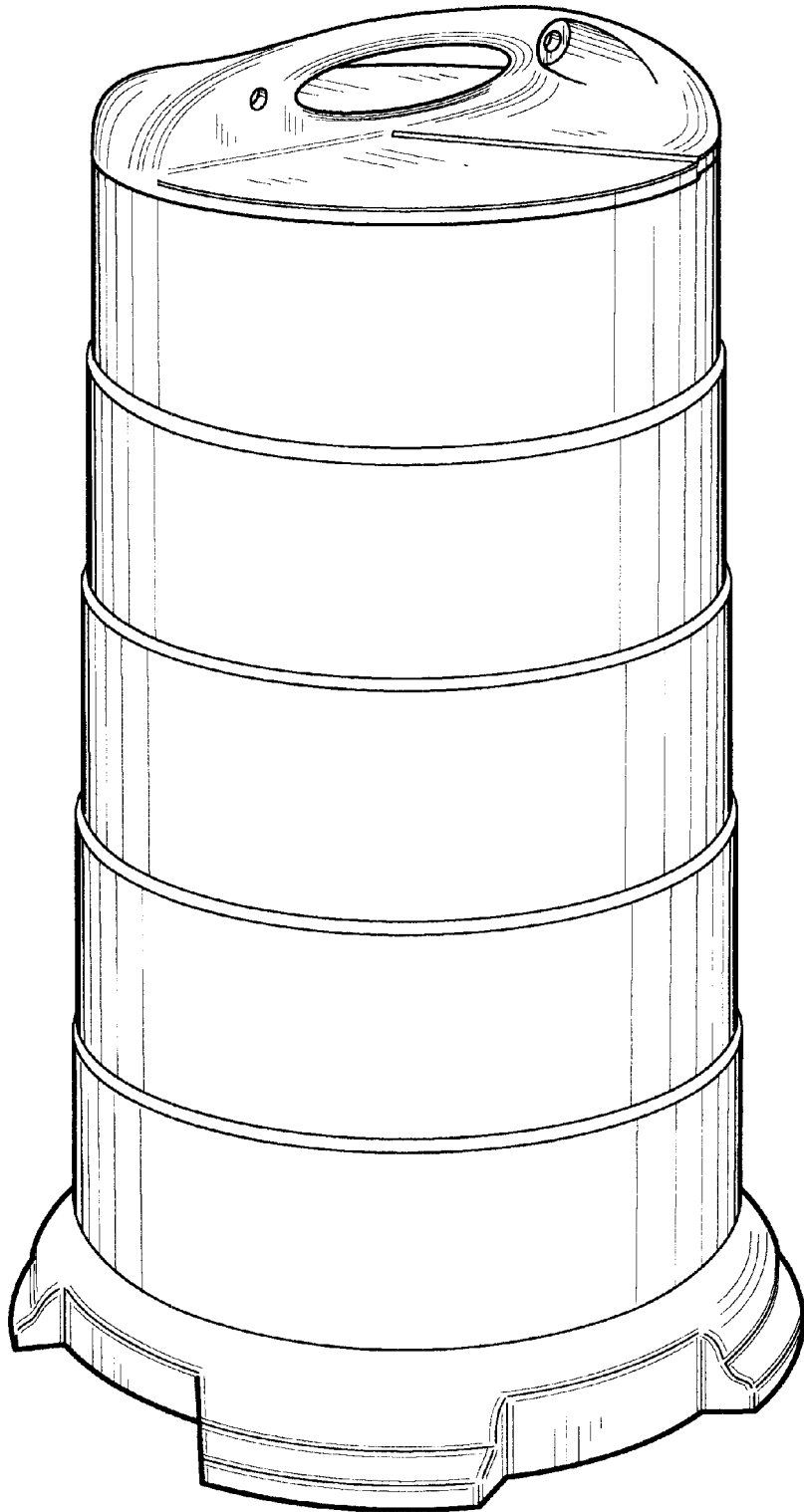


Fig. 1

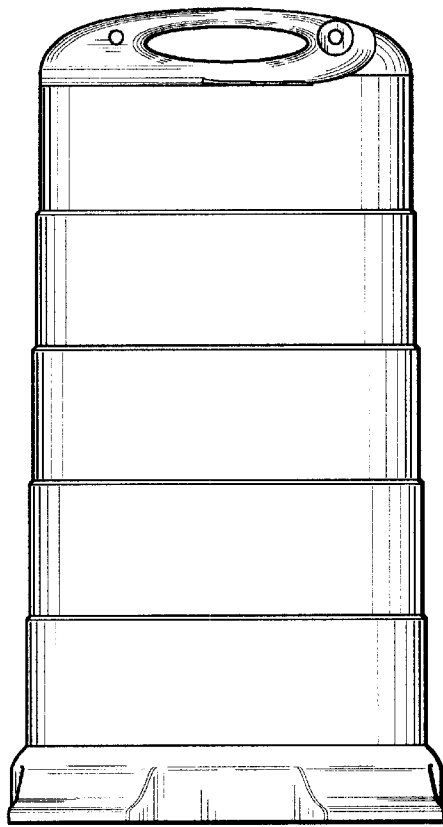


Fig. 2

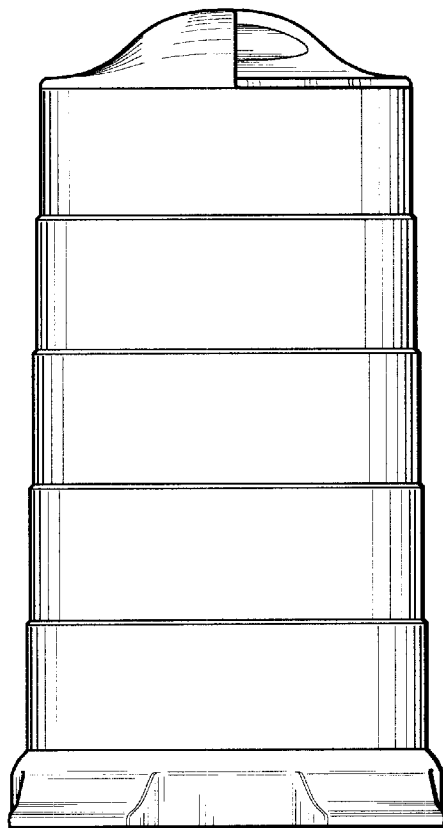


Fig. 3

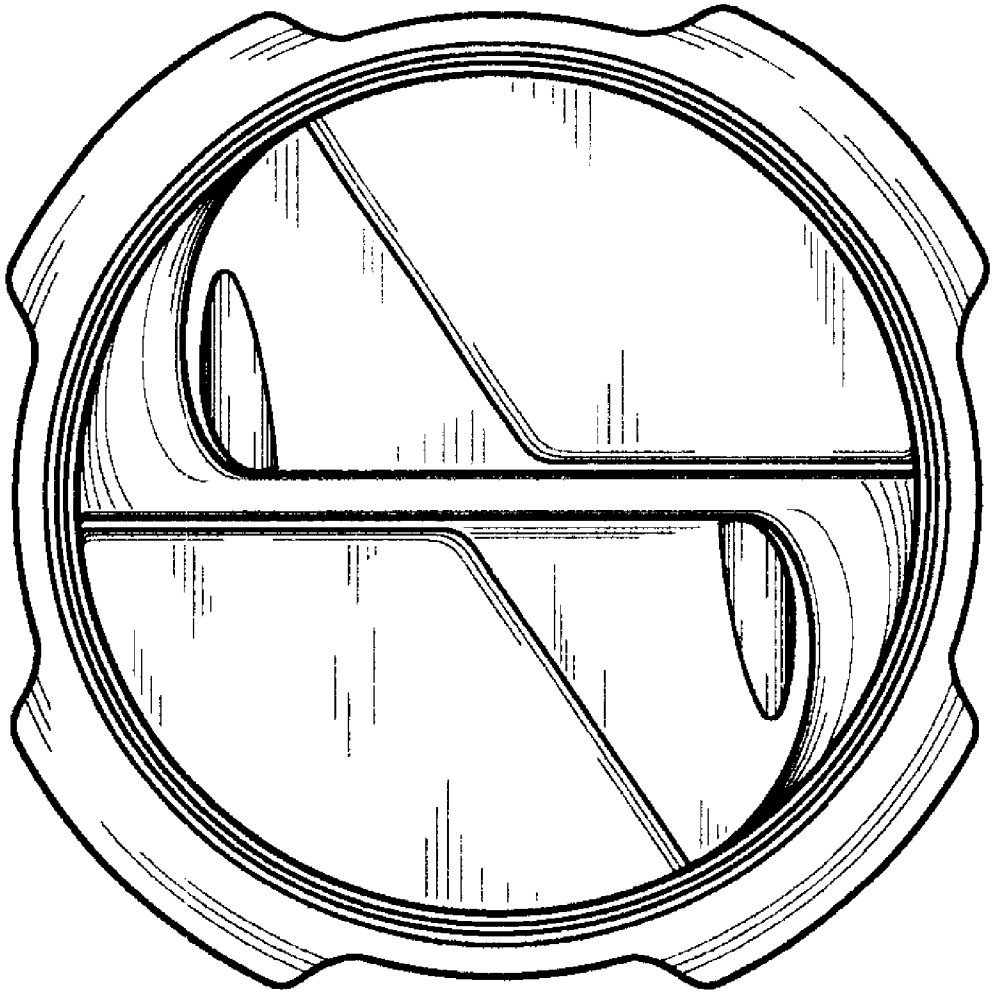


Fig. 4
