



US00D999299S

(12) **United States Design Patent**
Catz et al.

(10) **Patent No.:** **US D999,299 S**

(45) **Date of Patent:** **** Sep. 19, 2023**

- (54) **ACTIVITY BOX TOY**
- (71) Applicant: **Lovevery, Inc.**, Boise, ID (US)
- (72) Inventors: **Israel David Catz**, Boise, ID (US);
Jessica Thacher Crolick Rolph, Boise, ID (US); **Claire Way-June Liu**, San Francisco, CA (US); **Sara Hall Richins**, Boise, ID (US); **Allison Holmquist Remington**, Boise, ID (US)
- (73) Assignee: **Lovevery, Inc.**, Boise, ID (US)
- (**) Term: **15 Years**
- (21) Appl. No.: **29/709,560**
- (22) Filed: **Oct. 15, 2019**
- (51) **LOC (14) Cl.** **21-01**
- (52) **U.S. Cl.**
USPC **D21/470**
- (58) **Field of Classification Search**
USPC D21/334, 341, 386, 388, 389, 468, 478, D21/479, 470, 474, 475, 484, 485, 491, 499, D21/560; D9/418, 432, 416.721, 501, 414
CPC ... A63H 17/262; A63H 33/003; A63H 33/046; A63F 9/0666
See application file for complete search history.

- (56) **References Cited**
U.S. PATENT DOCUMENTS
- 2,542,948 A * 2/1951 Scherf A63F 9/10 273/153 R
- D277,946 S * 3/1985 Farrell D11/131
- D297,414 S * 8/1988 Feuerstein D9/418
- D366,504 S * 1/1996 Bannick D21/470
- D380,240 S * 6/1997 Johnson, Jr. D21/470
- D482,080 S * 11/2003 Godin D21/478

- D604,603 S * 11/2009 Kohno D9/418
- 9,192,805 B2* 11/2015 Adkins et al. A63B 22/16
- 9,713,776 B1* 7/2017 Leung G09B 1/06
- D847,269 S * 4/2019 Leung D21/470
- D896,630 S * 9/2020 Gomez et al. D9/418
- D913,784 S * 3/2021 O'Donnell D9/432
- D915,900 S * 4/2021 Hokanson et al. D9/432
- D941,647 S * 1/2022 Winter D7/701
- D942,264 S * 2/2022 Marotti et al. D9/418
- D943,860 S * 2/2022 Lopez D21/468
- D947,023 S * 3/2022 Pressley D9/432
- 2003/0038423 A1* 2/2003 Turner et al. A63F 9/0666 273/157 R
- 2021/0106923 A1* 4/2021 Catz et al. A63H 33/04
- 2022/0062750 A1* 3/2022 Pogosyan A63F 9/0666

* cited by examiner

Primary Examiner — Mehri F Bajoul
(74) *Attorney, Agent, or Firm* — Fish & Richardson P.C.

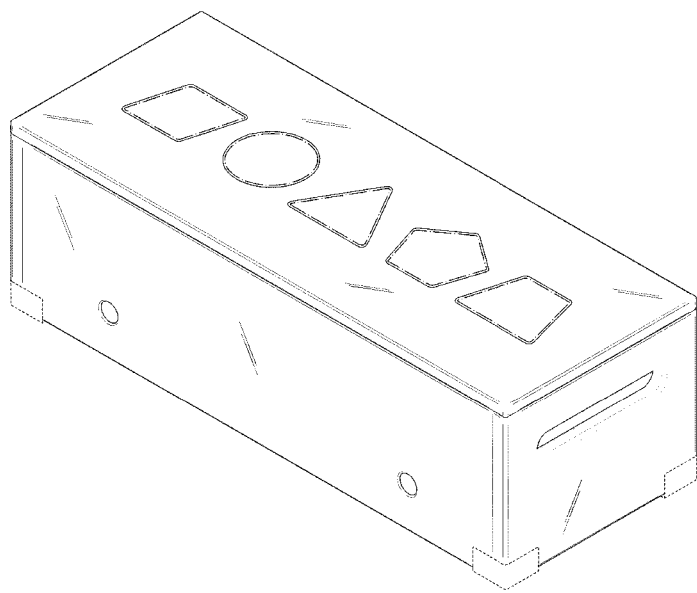
(57) **CLAIM**

The ornamental design for an **ACTIVITY BOX TOY**, as shown and described.

DESCRIPTION

FIG. 1 is a front top perspective view of our activity box toy. FIG. 2 is a front bottom perspective view our activity box toy. FIG. 3 is a front view of our activity box toy. FIG. 4 is a back view of our activity box toy. FIG. 5 is a right side view of our activity box toy. FIG. 6 is a left side view of our activity box toy. FIG. 7 is a top view of our activity box toy. FIG. 8 is a bottom view of our activity box toy. The broken lines in the drawings depict portions of the Activity Toy Box that form no part of the claim. The dot-dash lines in FIGS. 1 and 7 illustrate bounds of the claim and form no part of the claimed design.

1 Claim, 5 Drawing Sheets



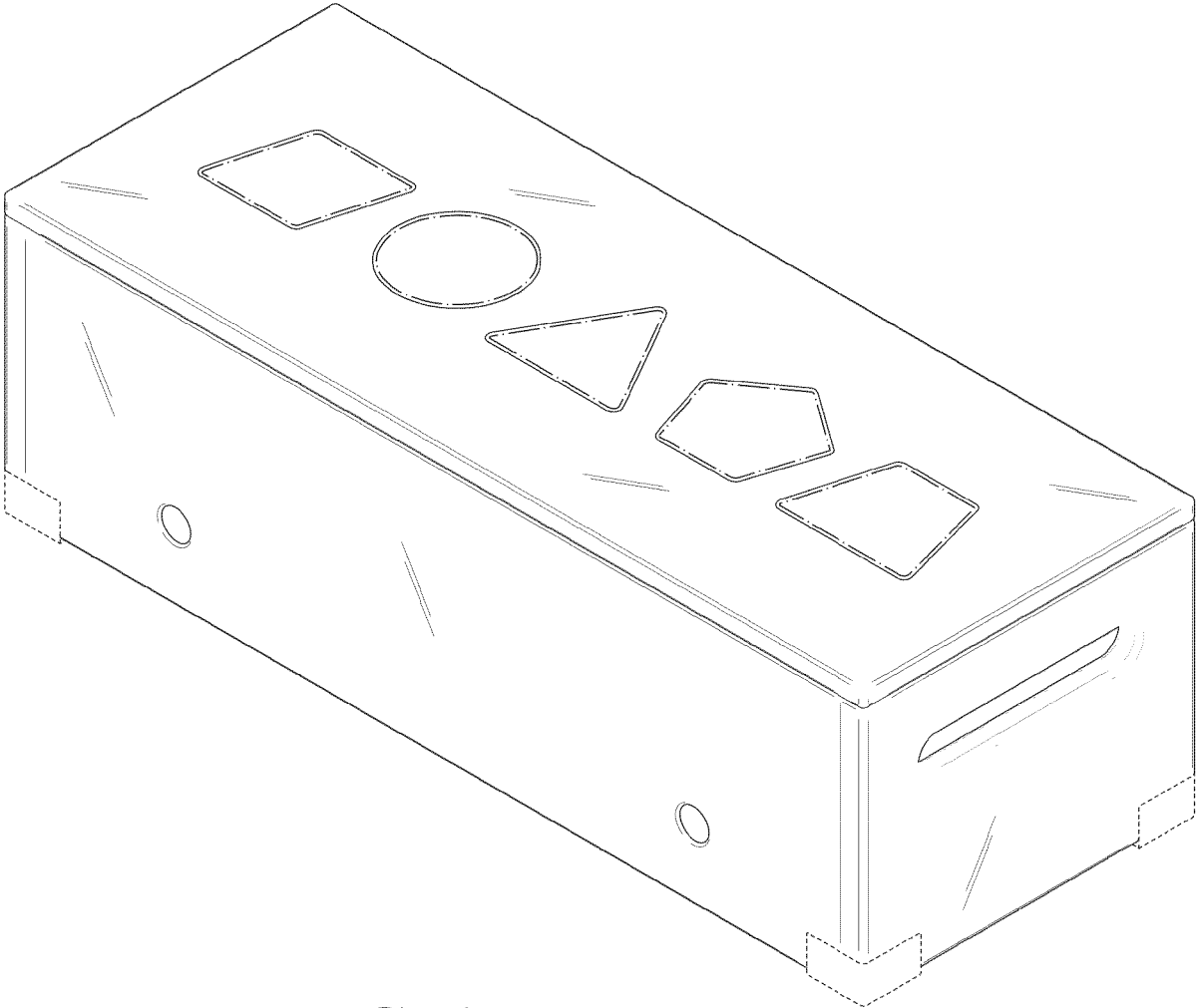


FIG. 1

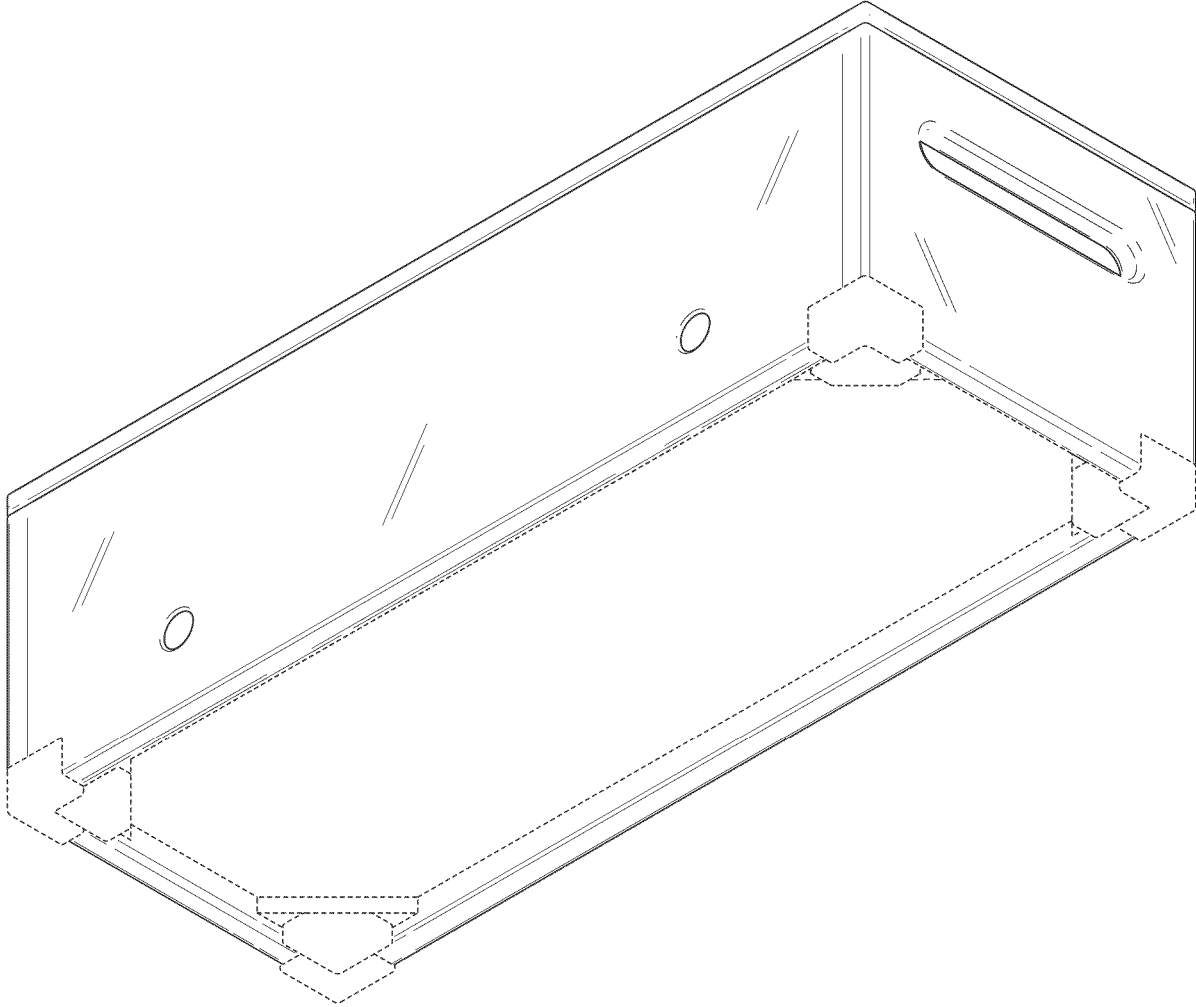


FIG. 2

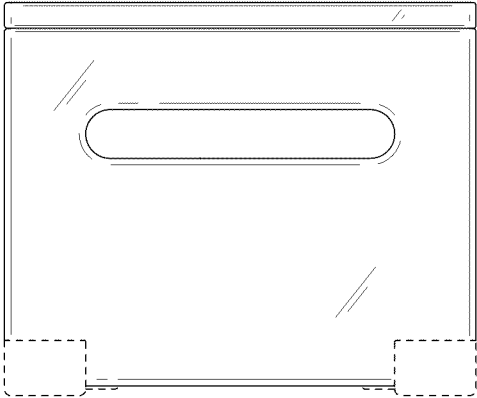


FIG. 3

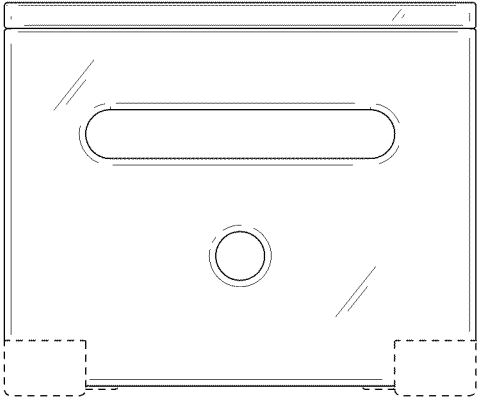


FIG. 4

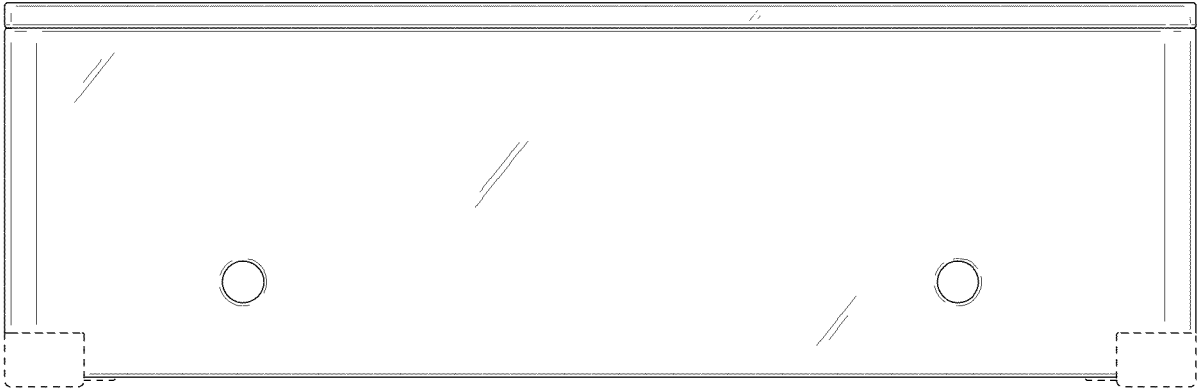


FIG. 5

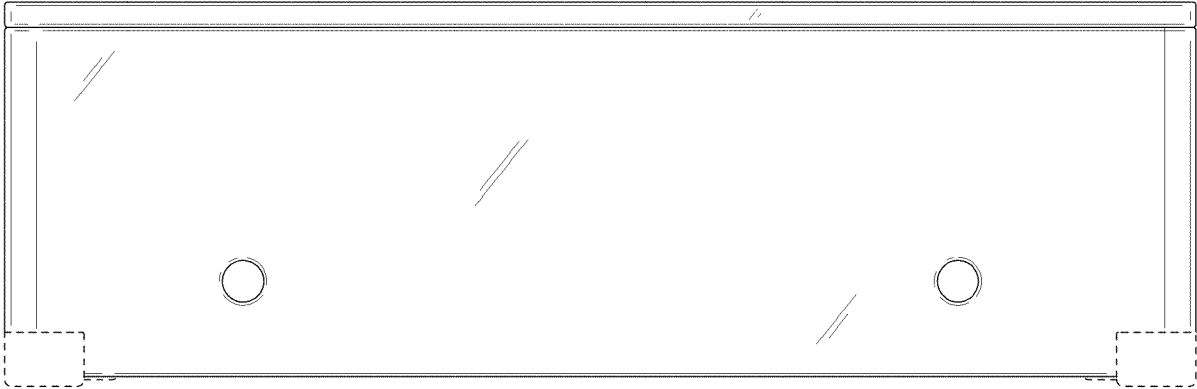


FIG. 6

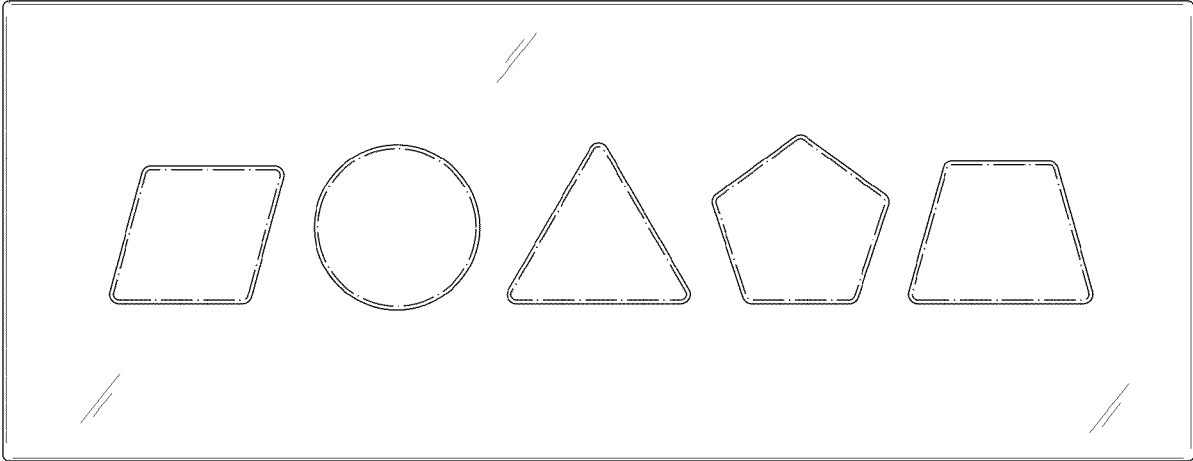


FIG. 7

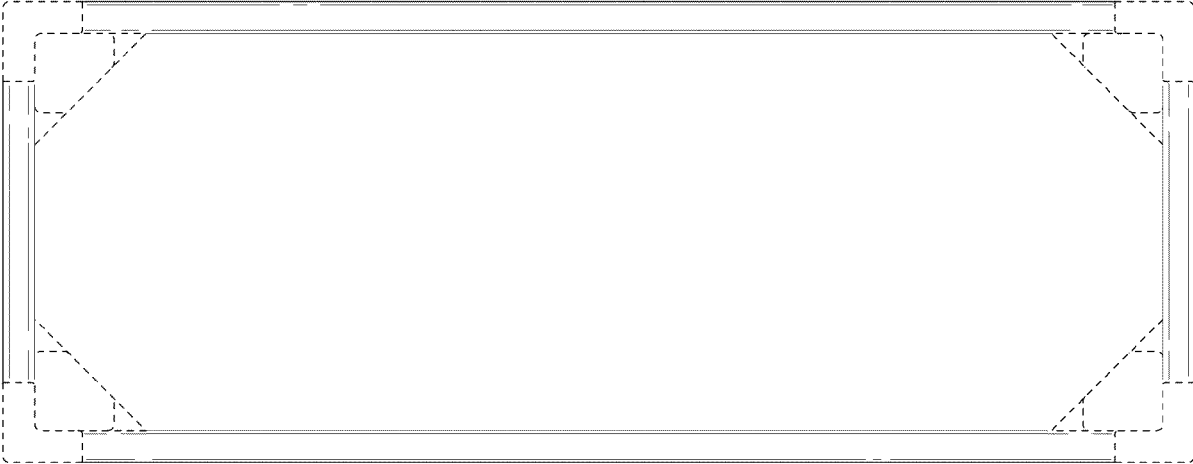


FIG. 8