



US00D998353S

(12) **United States Design Patent**
Chen

(10) **Patent No.:** **US D998,353 S**

(45) **Date of Patent:** **** Sep. 12, 2023**

(54) **MIRROR**

(71) Applicant: **NINGBO RAVO IMPORT & EXPORT CO., LTD.**, Zhejiang (CN)

(72) Inventor: **Qiwei Chen**, Zhejiang (CN)

(73) Assignee: **NINGBO RAVO IMPORT & EXPORT CO., LTD.**, Zhejiang (CN)

(**) Term: **15 Years**

(21) Appl. No.: **29/697,289**

(22) Filed: **Jul. 7, 2019**

(30) **Foreign Application Priority Data**

Apr. 16, 2019 (CN) 201930174532.0

(51) **LOC (14) CL.** **06-07**

(52) **U.S. Cl.**
USPC **D6/312; D6/310**

(58) **Field of Classification Search**
USPC D6/300-314; D28/64.6
CPC A45D 42/00; A45D 42/24; A45D 42/14;
A45D 42/16; A45D 42/10; F21V 21/0965;
F21V 21/30; F21V 33/004; A47G 1/00; A47G
1/02; A47G 1/06; A47G 1/0616; A47G 1/14;
A47G 1/141; A45D 42/08
See application file for complete search history.

(56) **References Cited**

U.S. PATENT DOCUMENTS

D161,886	S *	2/1951	Weisbrod	D6/301
D572,024	S *	7/2008	Shapiro	D6/301
D785,345	S *	5/2017	Yang et al.	D6/310
D825,205	S *	8/2018	Liu	D6/310
D833,762	S *	11/2018	Liu	D6/310
D859,011	S *	9/2019	Liu	D6/310
D861,356	S *	10/2019	Zhu	D6/310
D865,374	S *	11/2019	Yang	D6/310
D874,836	S *	2/2020	Li et al.	D6/312
D882,965	S *	5/2020	Liu	D6/310

D886,469	S *	6/2020	Liu	D6/310
D895,986	S *	9/2020	Yang	D6/312
D897,696	S *	10/2020	Zhou	D6/310
D897,697	S *	10/2020	Liu	D6/310
D905,440	S *	12/2020	Yang	D6/310

(Continued)

FOREIGN PATENT DOCUMENTS

EM	006489654-0001	*	6/2019
EM	007223706-0001	*	11/2019

(Continued)

OTHER PUBLICATIONS

Amazon Top Seller LED Vanity Mirror, available Dec. 14, 2022, [online], [site visited Dec. 14, 2022]. Available from internet, URL: <https://maxecho.en.made-in-china.com/product/dFSGBRXjQqpl/China-Amazon-Top-Seller-LED-Lighted-Travel-Vanity-Mirror-Desktop-Trifold-Magnified-Makeup-Mirror.html> (Year: 2022).*

Primary Examiner — W. A. Teddy Falloway
(74) *Attorney, Agent, or Firm* — JCIP GLOBAL INC.

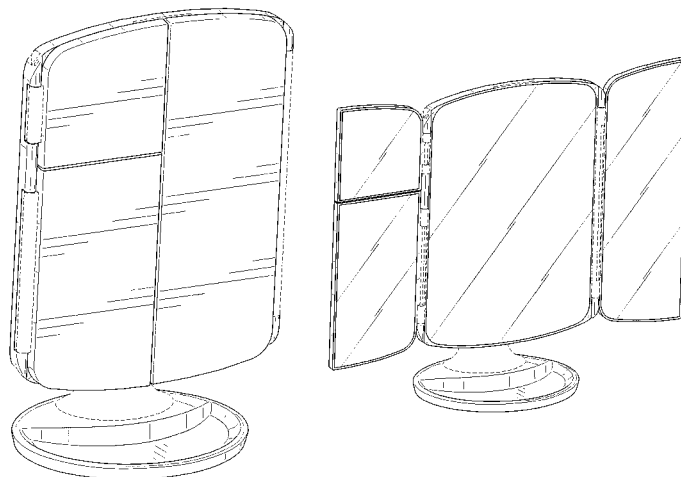
(57) **CLAIM**

The ornamental design for a mirror as shown and described.

DESCRIPTION

FIG. 1 is a front perspective view of a mirror showing my new design;
FIG. 2 is a front view thereof;
FIG. 3 is a rear view thereof;
FIG. 4 is a left side view thereof;
FIG. 5 is a right side view thereof;
FIG. 6 is a top view thereof;
FIG. 7 is a bottom view thereof; and
FIG. 8 is another front view thereof, showing an open position.
The broken lines in the drawings represent portions of the mirror and form no part of the claim. The oblique lines shading shown in FIG. 8 represent mirror surfaces.

1 Claim, 7 Drawing Sheets



(56)

References Cited

U.S. PATENT DOCUMENTS

D905,444	S *	12/2020	Yang	D6/310
D907,375	S *	1/2021	Liang	D6/312
D927,862	S *	8/2021	Yang	D6/310
D935,792	S *	11/2021	Li et al.	D6/310
D942,762	S *	2/2022	Zhu	D6/310
D946,909	S *	3/2022	Yu	D6/310
D955,022	S *	6/2022	Zeng	D6/309
D955,761	S *	6/2022	Liu	D6/310
D961,944	S *	8/2022	Shen	D6/310
D962,657	S *	9/2022	Jing	D6/310
D969,500	S *	11/2022	Zhu	D6/310
D970,227	S *	11/2022	Kaiser et al.	D6/301
11,543,737	B2*	1/2023	Schenker et al.	F16M 11/046
D974,776	S *	1/2023	Zhang et al.	D6/310
D976,011	S *	1/2023	Shen	D6/310
2021/0191063	A1*	6/2021	Schenker et al.	F16M 11/28

FOREIGN PATENT DOCUMENTS

GB	6023264	* 12/2017
JP	D1632908	* 6/2019

* cited by examiner

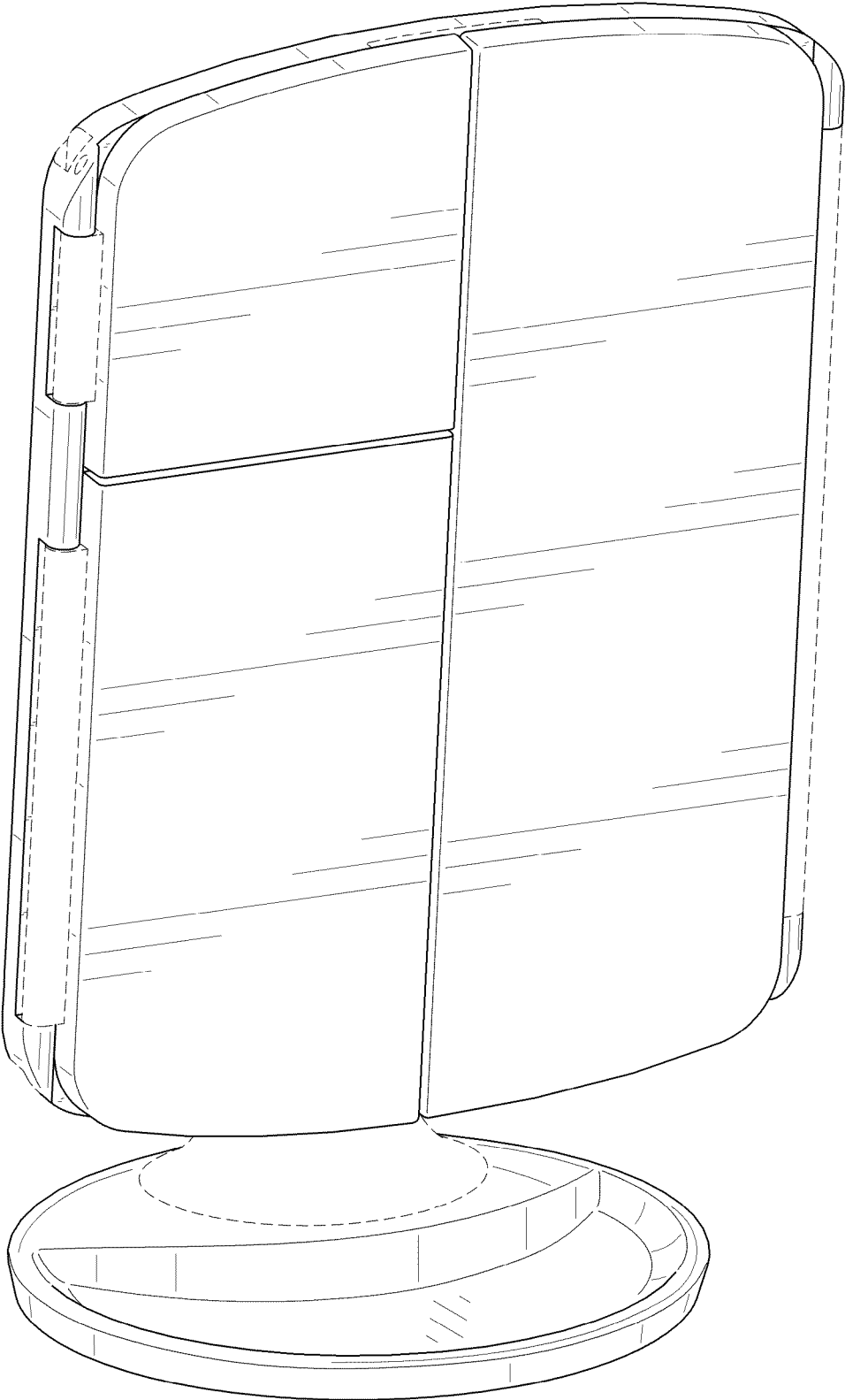


FIG. 1

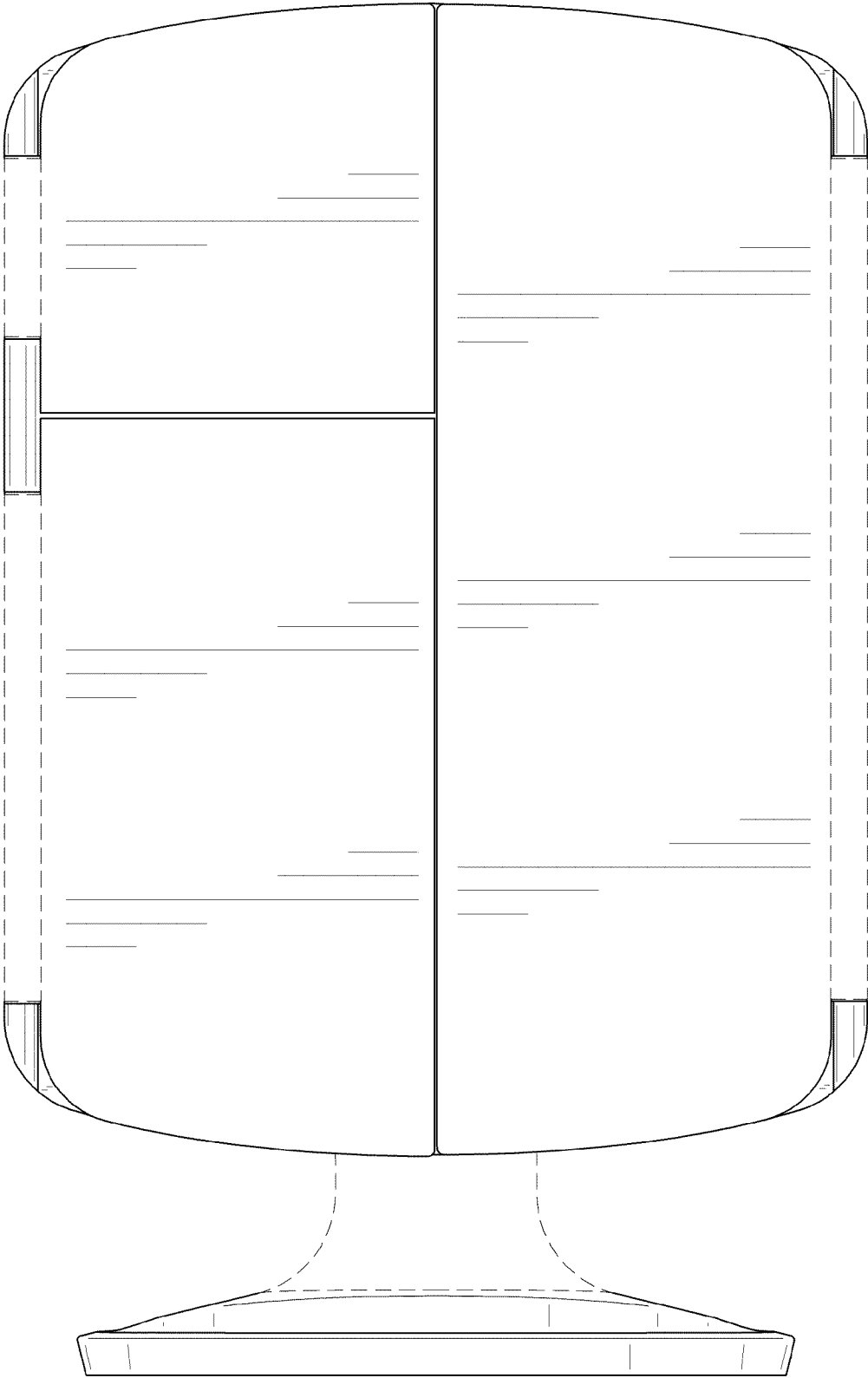


FIG. 2

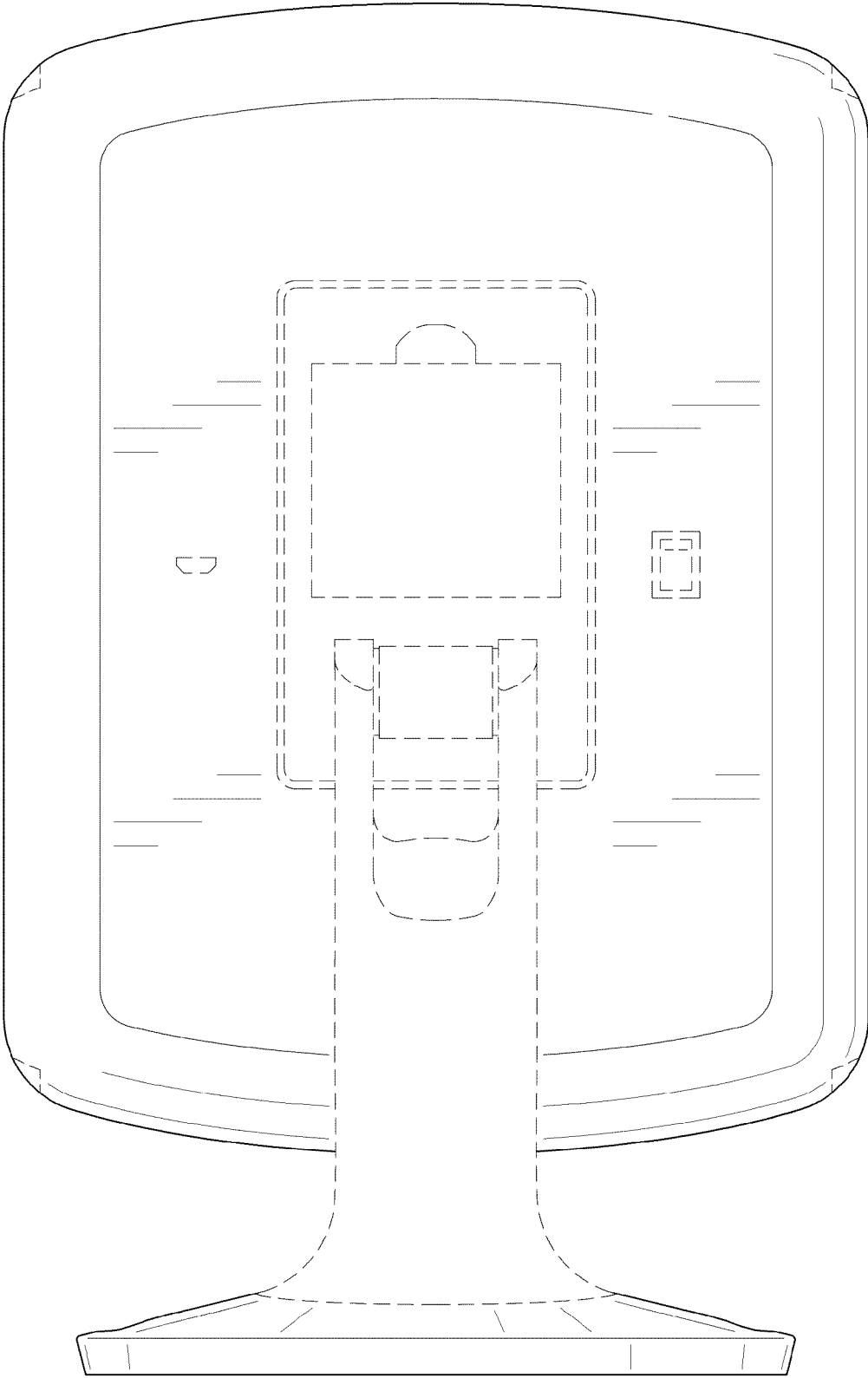


FIG. 3

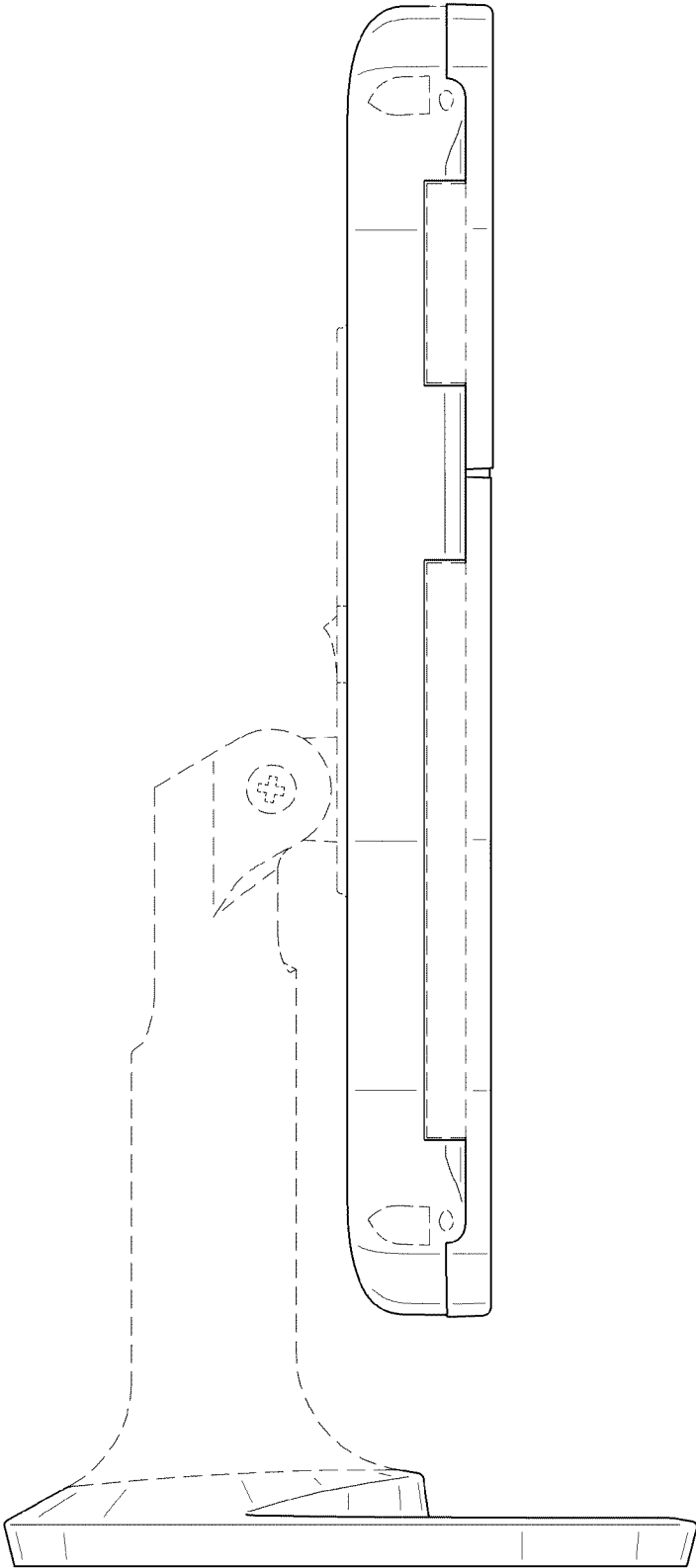


FIG. 4

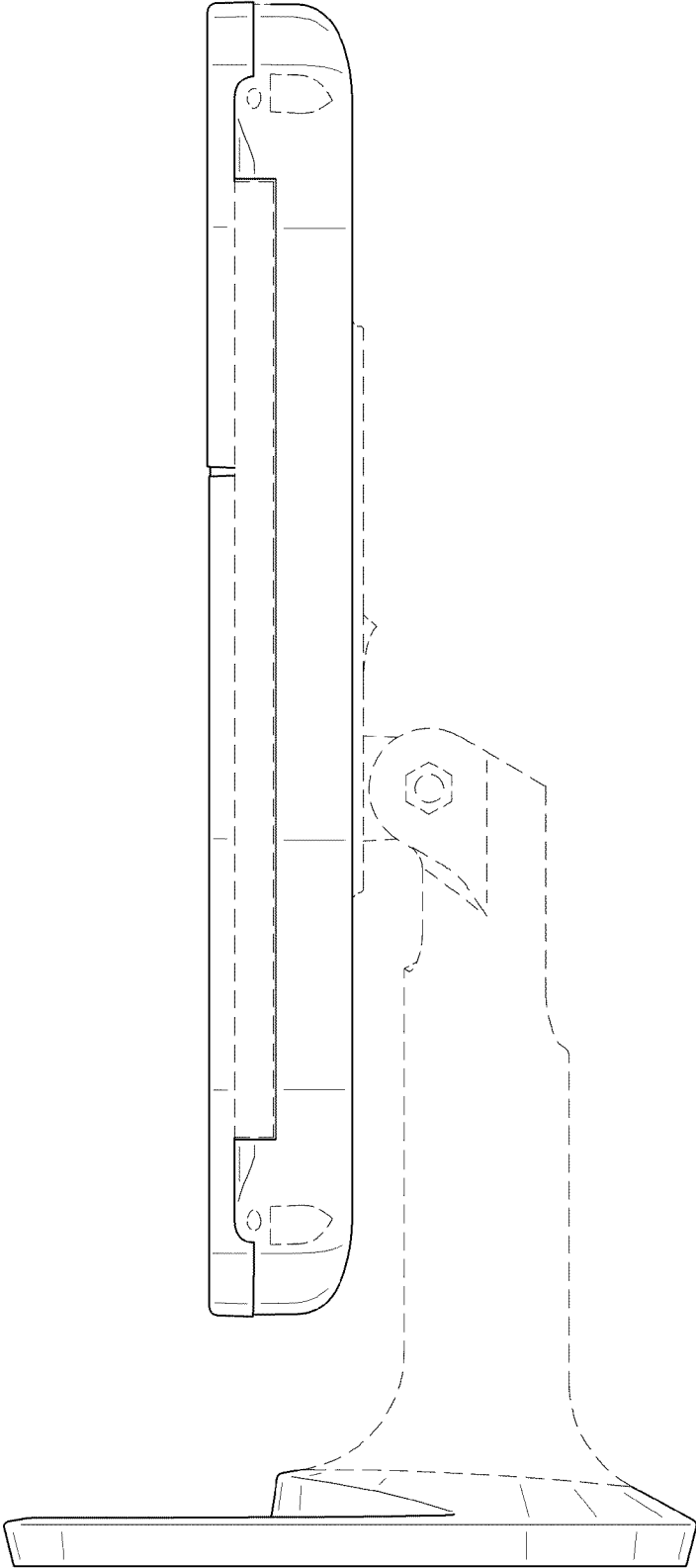


FIG. 5

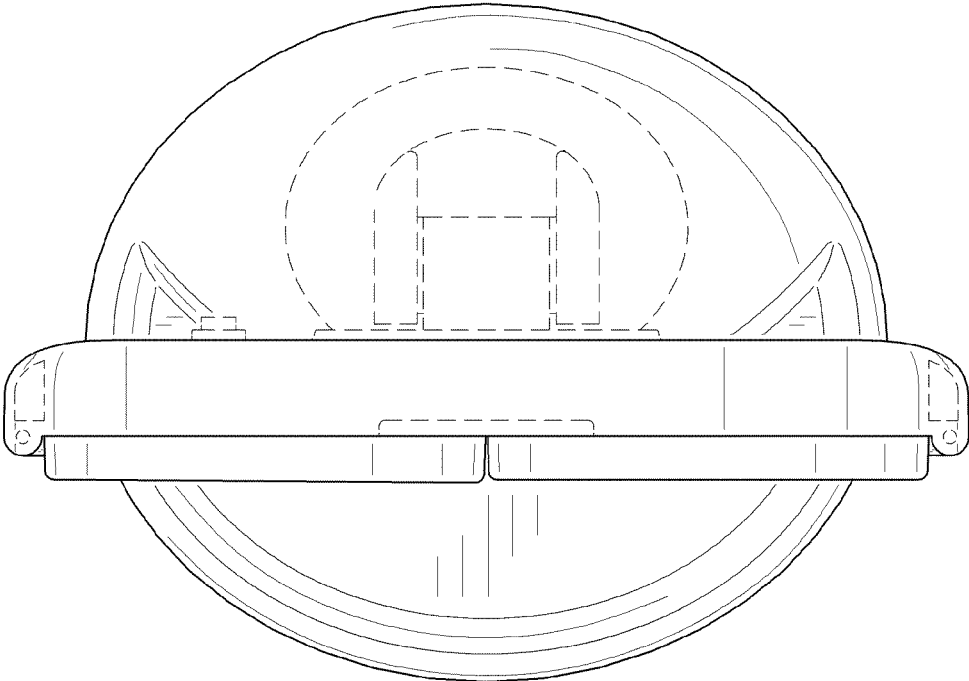


FIG. 6

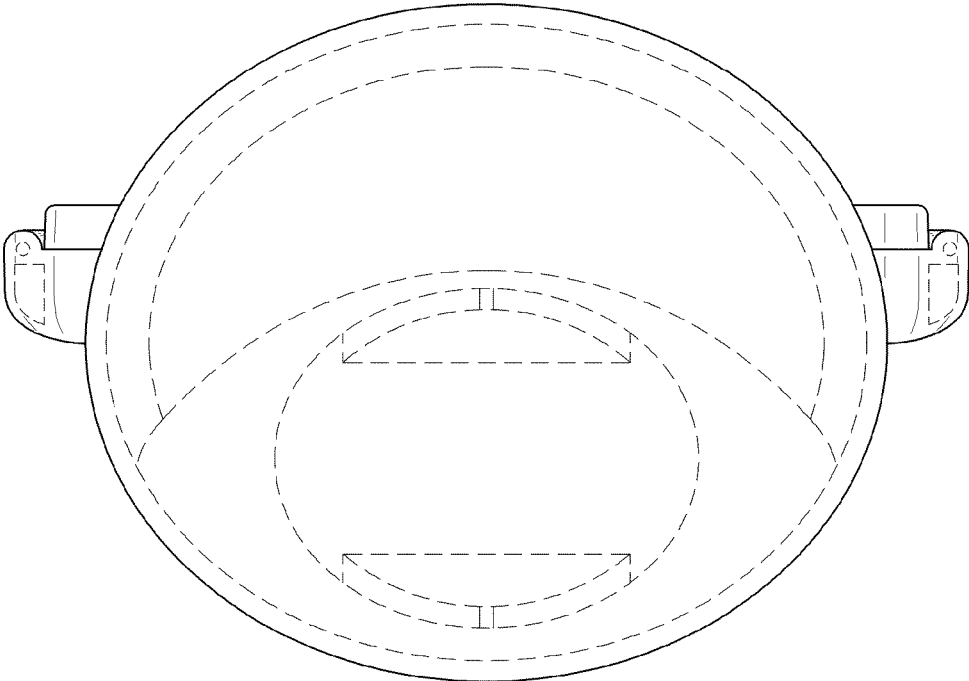


FIG. 7

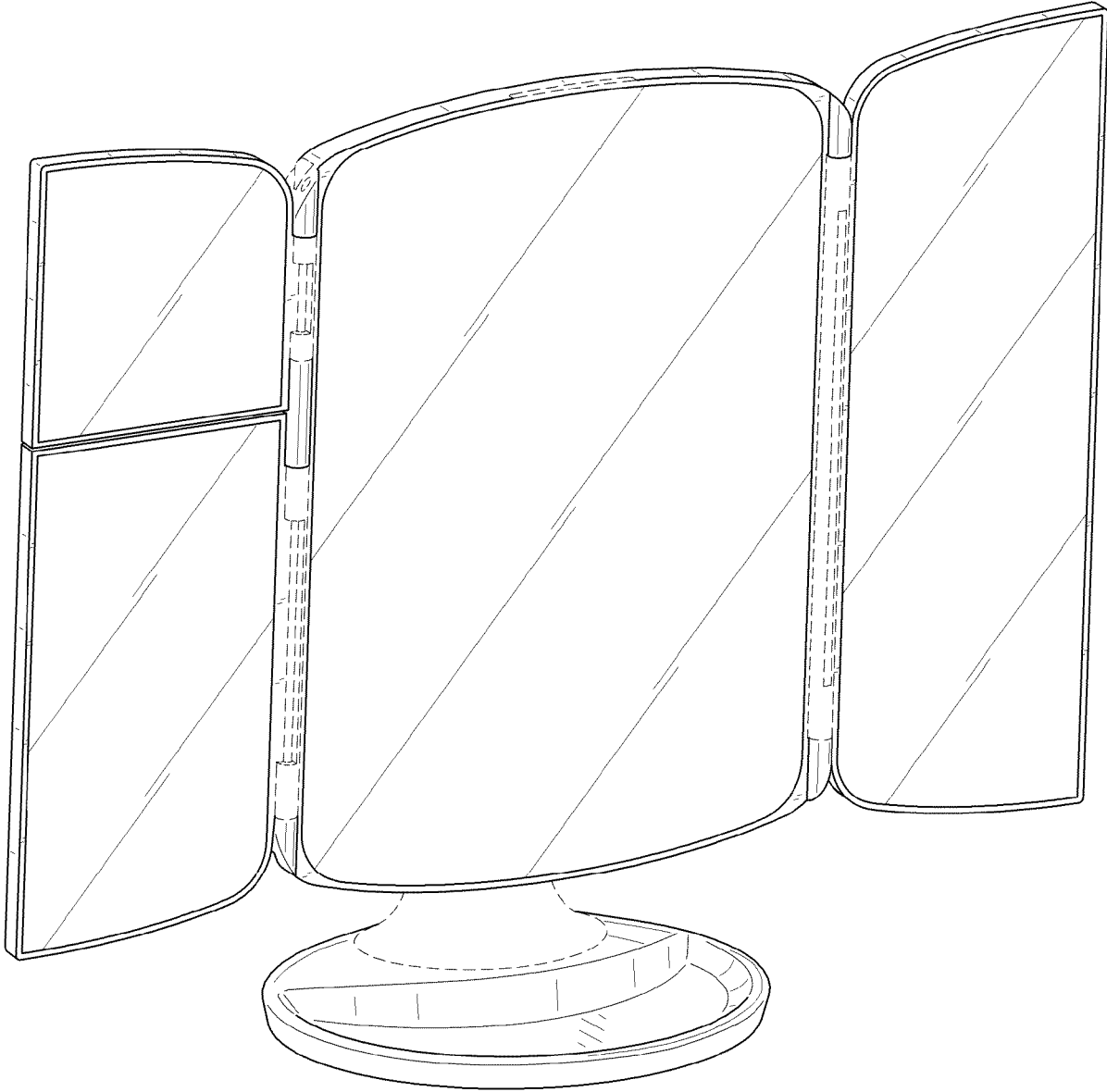


FIG. 8