



US00D771769S

(12) **United States Design Patent**
Pin

(10) **Patent No.:** **US D771,769 S**

(45) **Date of Patent:** **** Nov. 15, 2016**

(54) **WATER TREATMENT SYSTEM**

(71) Applicant: **HydroNovation, Inc.**, La Palma, CA (US)

(72) Inventor: **Lin Si Pin**, New Taipei (TW)

(73) Assignee: **HydroNovation, Inc.**, La Palma, CA (US)

(**) Term: **14 Years**

(21) Appl. No.: **29/485,280**

(22) Filed: **Mar. 18, 2014**

(51) **LOC (10) Cl.** **23-01**

(52) **U.S. Cl.**

USPC **D23/207**

(58) **Field of Classification Search**

USPC D23/207–209; 210/435, 241, 266, 85, 210/232

See application file for complete search history.

(56) **References Cited**

U.S. PATENT DOCUMENTS

D306,338	S	*	2/1990	Rempe et al.	D23/207
D674,874	S	*	1/2013	Mueller et al.	D23/207
D682,387	S	*	5/2013	Tseng	D23/207
D706,902	S	*	6/2014	Batten et al.	D23/207
D717,911	S	*	11/2014	Moon et al.	D23/207
D720,426	S	*	12/2014	Fernandez Cantalejo et al.	D23/208

* cited by examiner

Primary Examiner — Robin V Webster

(74) *Attorney, Agent, or Firm* — Lando & Anastasi, LLP

(57) **CLAIM**

The ornamental design for a water treatment system, as shown and described.

DESCRIPTION

FIG. 1 is a right perspective view of a first embodiment of a water treatment system design;

FIG. 2 is a left perspective view of the embodiment shown in FIG. 1;

FIG. 3 is a front view of the embodiment shown in FIG. 1;

FIG. 4 is a back view of the embodiment shown in FIG. 1;

FIG. 5 is a left side view of the embodiment shown in FIG. 1;

FIG. 6 is a right side view of the embodiment shown in FIG. 1;

FIG. 7 is a top plan view of the embodiment shown in FIG. 1;

FIG. 8 is a bottom plan view of the embodiment shown in FIG. 1;

FIG. 9 is a right perspective view of a second embodiment of a water treatment system design;

FIG. 10 is a left perspective view of the embodiment shown in FIG. 9;

FIG. 11 is a front view of the embodiment shown in FIG. 9;

FIG. 12 is a back view of the embodiment shown in FIG. 9;

FIG. 13 is a left side view of the embodiment shown in FIG. 9;

FIG. 14 is a right side view of the embodiment shown in FIG. 9;

FIG. 15 is a top plan view of the embodiment shown in FIG. 9; and,

FIG. 16 is a bottom plan view of the embodiment shown in FIG. 9.

All broken lines shown in FIGS. 9-16 are for illustrative purposes only and form no part of the claimed design.

1 Claim, 16 Drawing Sheets

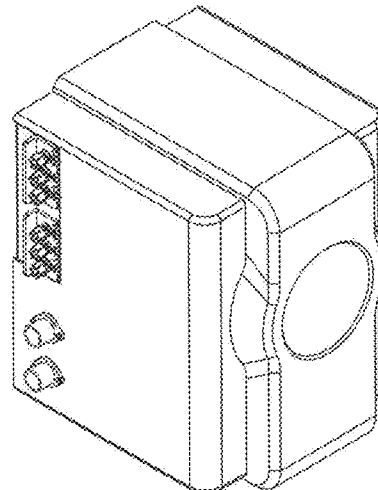
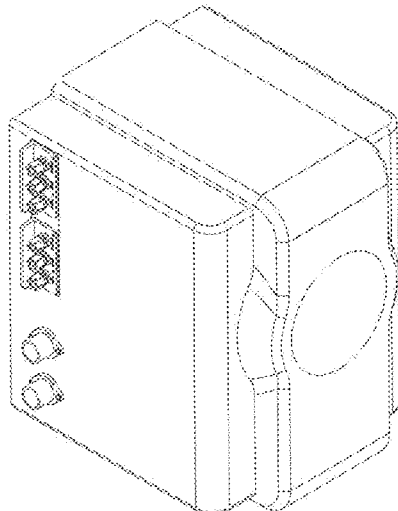


FIG. 1

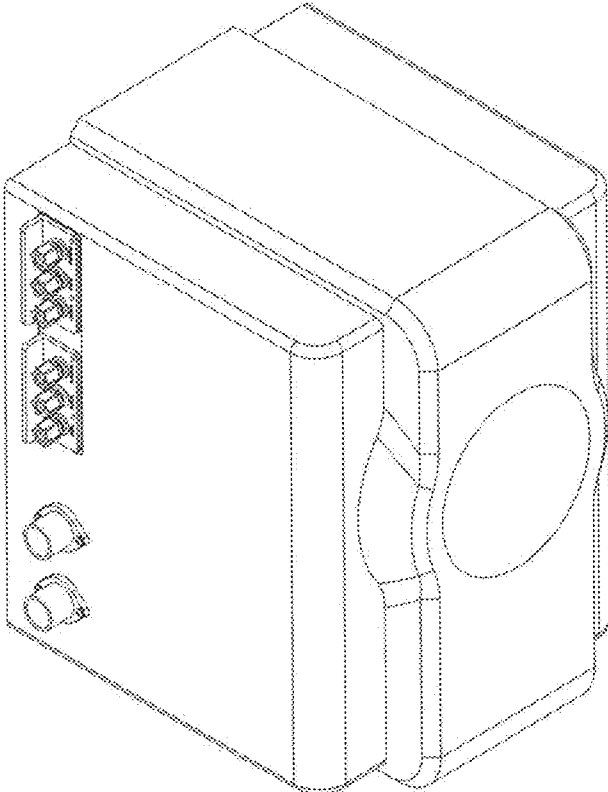


FIG. 2

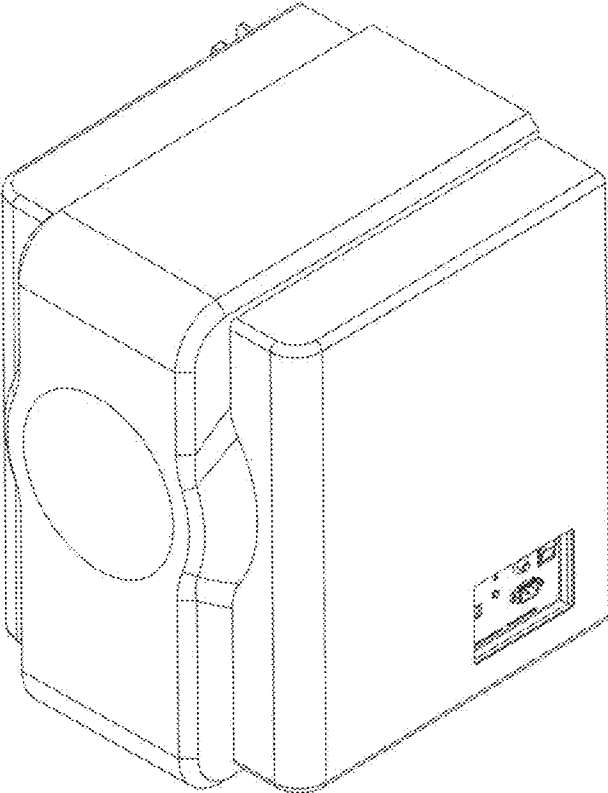


FIG. 3

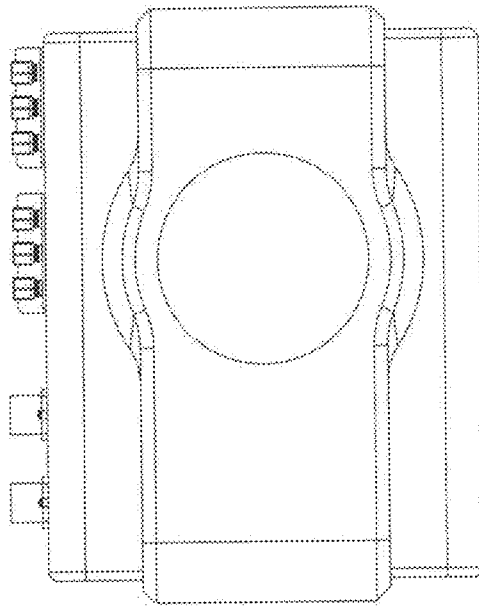


FIG. 4

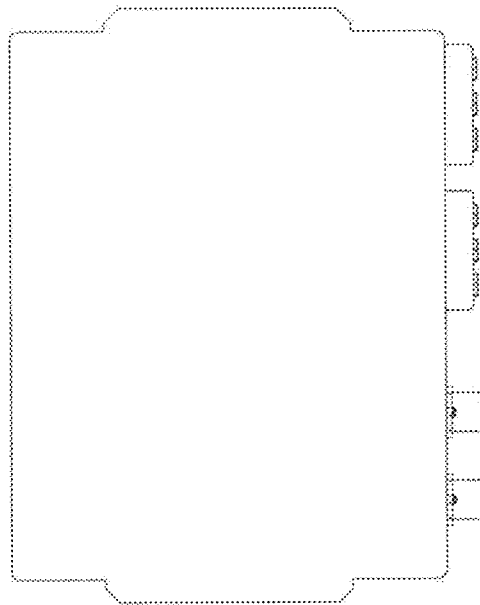


FIG. 5

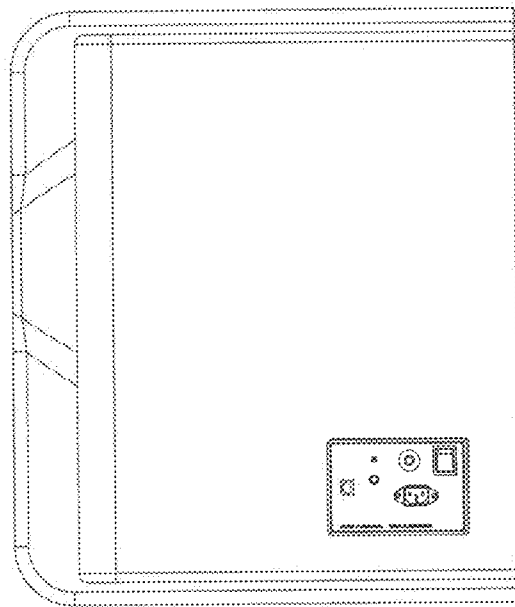


FIG. 6

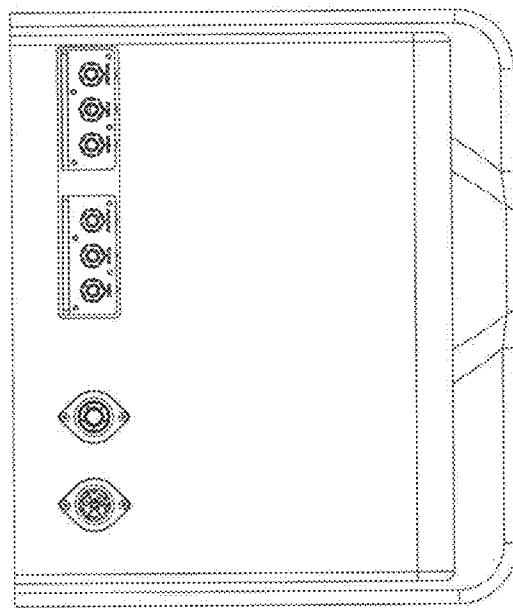


FIG. 7

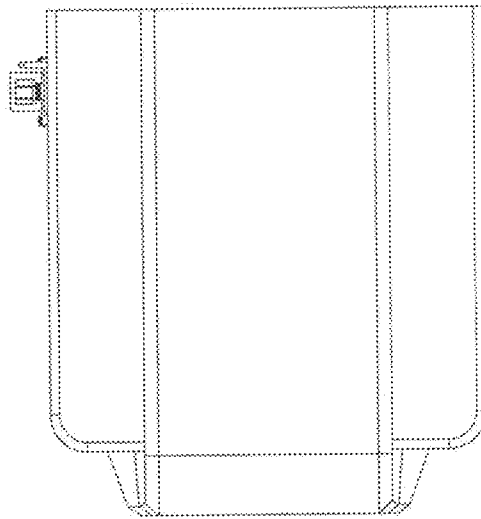


FIG. 8

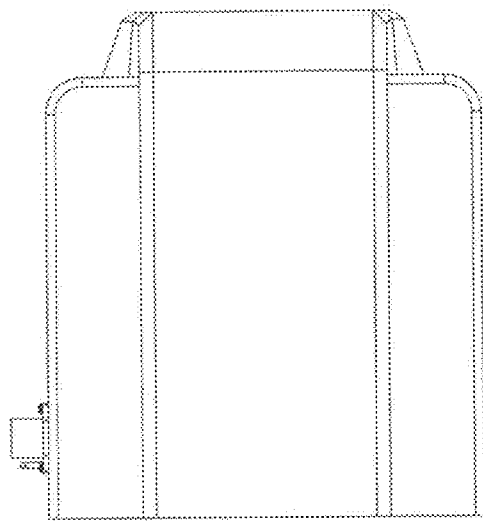


FIG. 9

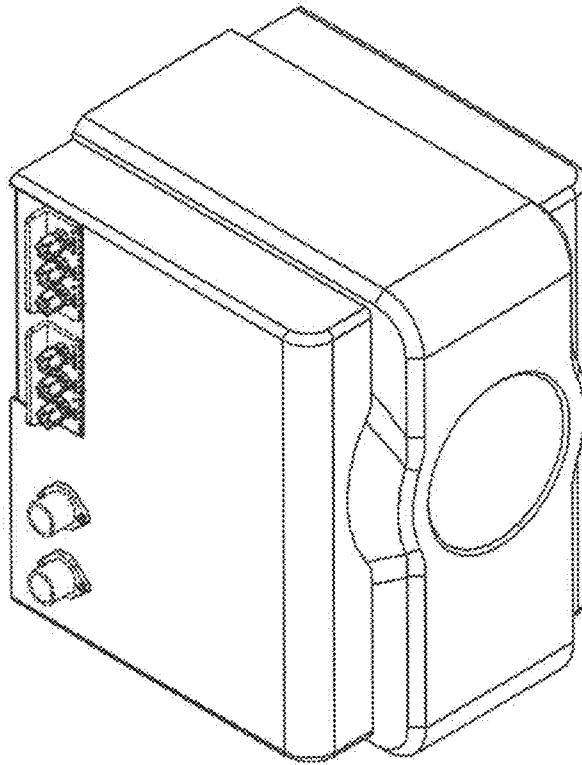


FIG. 10

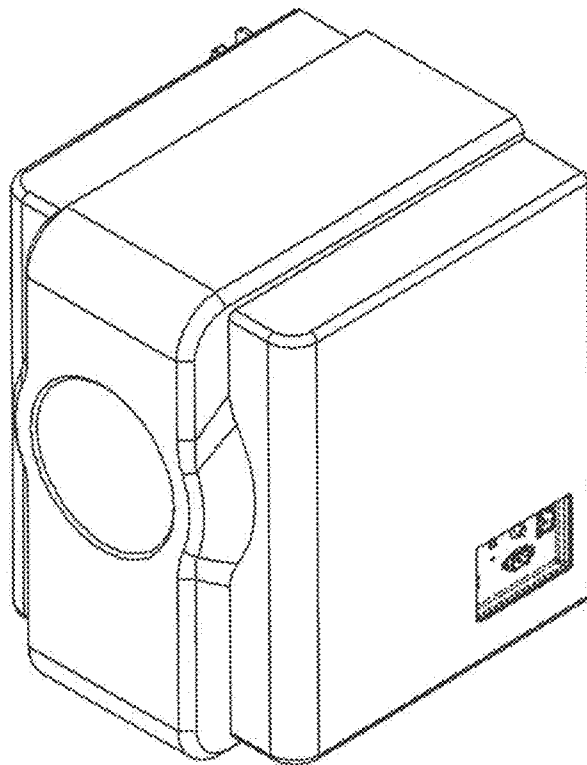


FIG. 11

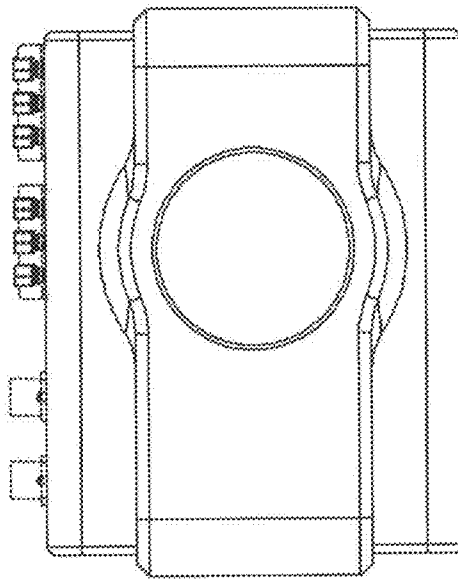


FIG. 12

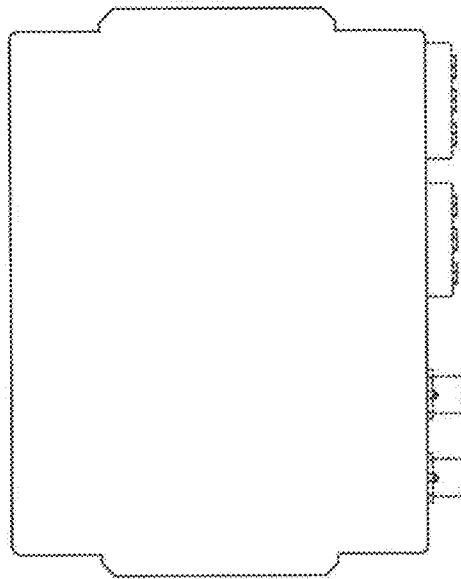


FIG. 13

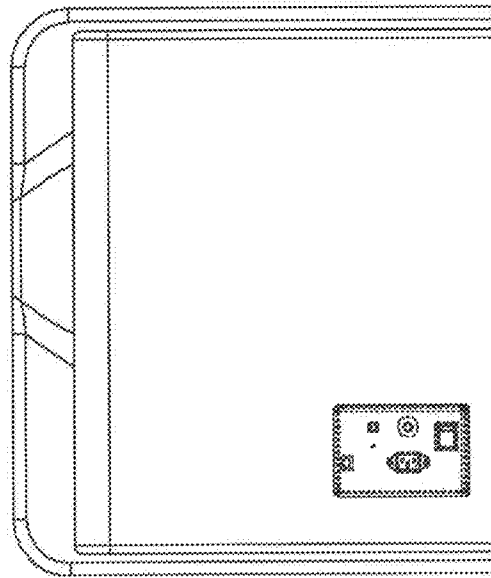


FIG. 14

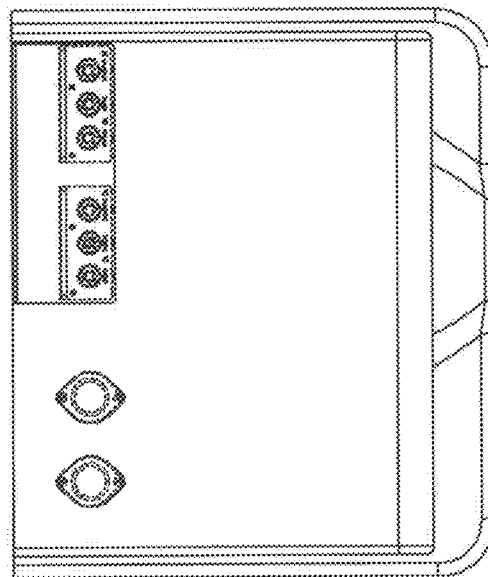


FIG. 15

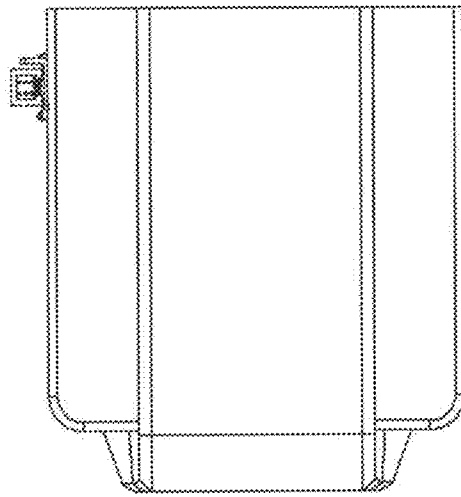


FIG. 16

