

(19) World Intellectual Property  
Organization  
International Bureau



(43) International Publication Date  
9 December 2004 (09.12.2004)

PCT

(10) International Publication Number  
**WO 2004/107017 A1**

(51) International Patent Classification<sup>7</sup>: **G02B 27/10**,  
H01S 5/40, 3/00

(21) International Application Number:  
PCT/GB2004/002155

(22) International Filing Date: 19 May 2004 (19.05.2004)

(25) Filing Language: English

(26) Publication Language: English

(30) Priority Data:  
0312443.5 30 May 2003 (30.05.2003) GB

(71) Applicant (for all designated States except US): **FIAN-IUM LIMITED** [GB/GB]; Unit 20 Compass Point, Ensign Way, Hamble, Southampton, Hampshire SO31 4RA (GB).

(72) Inventors; and

(75) Inventors/Applicants (for US only): **GONCHAROV, Sergey, E.** [RU/RU]; 4-211 Narodnogo Opolchenia Avenue, St. Petersburg, 198205 (RU). **ZALEVSKY, Igor, D.** [RU/RU]; 3 Wedenskogo Stir, Moscow 117342 (RU).

(81) Designated States (unless otherwise indicated, for every kind of national protection available): AE, AG, AL, AM,

AT, AU, AZ, BA, BB, BG, BR, BW, BY, BZ, CA, CH, CN, CO, CR, CU, CZ, DE, DK, DM, DZ, EC, EE, EG, ES, FI, GB, GD, GE, GH, GM, HR, HU, ID, IL, IN, IS, JP, KE, KG, KP, KR, KZ, LC, LK, LR, LS, LT, LU, LV, MA, MD, MG, MK, MN, MW, MX, MZ, NA, NI, NO, NZ, OM, PG, PH, PL, PT, RO, RU, SC, SD, SE, SG, SK, SL, SY, TJ, TM, TN, TR, TT, TZ, UA, UG, US, UZ, VC, VN, YU, ZA, ZM, ZW.

(84) Designated States (unless otherwise indicated, for every kind of regional protection available): ARIPO (BW, GH, GM, KE, LS, MW, MZ, NA, SD, SL, SZ, TZ, UG, ZM, ZW), Eurasian (AM, AZ, BY, KG, KZ, MD, RU, TJ, TM), European (AT, BE, BG, CH, CY, CZ, DE, DK, EE, ES, FI, FR, GB, GR, HU, IE, IT, LU, MC, NL, PL, PT, RO, SE, SI, SK, TR), OAPI (BF, BJ, CF, CG, CI, CM, GA, GN, GQ, GW, ML, MR, NE, SN, TD, TG).

**Declaration under Rule 4.17:**

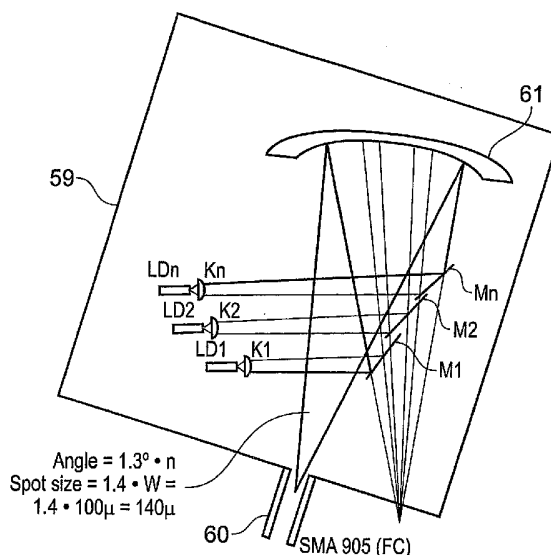
— of inventorship (Rule 4.17(iv)) for US only

**Published:**

— with international search report

[Continued on next page]

(54) Title: OPTICAL MULTIPLEXER



(57) Abstract: The invention provides an optical multiplexing device comprising: a plurality of optical sources with integrated collimators (31-37) whose output beams are combined by mirrors (41-47) or other beam deflecting elements, which combine the beams into a single composite beam diverging from a common origin point (30). This is done by arranging the mirrors (41-47) staggered at different distances from the origin point, and at different angles to each other taking account of the dependence of the beam divergence in far field on the distance from the origin point.

WO 2004/107017 A1



---

*For two-letter codes and other abbreviations, refer to the "Guidance Notes on Codes and Abbreviations" appearing at the beginning of each regular issue of the PCT Gazette.*

**TITLE OF THE INVENTION****OPTICAL MULTIPLEXER****BACKGROUND OF THE INVENTION**

The invention relates to a device for multiplexing laser beams into a common output  
5 beam. An important application of this kind of multiplexing is for coupling together  
beams from a plurality of multimode laser diodes (LDs).

Figure 1 shows parameters of a typical multimode LD 1. The LD 1 has a stripe 2 of  
length 100  $\mu\text{m}$ , and width 2  $\mu\text{m}$ . The direction along the stripe is often called the slow  
10 axis and the direction across the stripe the fast axis. In the figure, the fast axis  
coincides with the Y-axis and the slow axis coincides with the X-axis. The output  
beam from the LD 1 is characterised by waist sizes  $W_x$  and  $W_y$ . The output beam  
diverges from the near field to the far field. The divergence is highly asymmetric,  
resulting in a correspondingly asymmetric spatial distribution of optical radiation in  
15 the far field, illustrated schematically in the figure by the far-field beam cross-section  
3. The divergence across the fast axis is characterised by an angle  $\beta_x \sim 40^\circ$  and is  
almost diffraction limited. The divergence in the Y-direction is characterised by an  
angle  $\beta_y \sim 10^\circ$ - $14^\circ$ . To characterise spatial distribution of an optical beam it is  
convenient to introduce the following parameter:

20

$$M^2 = \pi (W/2) \sin (\beta/2)/\lambda \quad (1)$$

which defines the degree of dissimilarity of a beam under consideration from a  
diffraction-limited beam. From Eq.(1) one can find that for typical laser diode  $M_x^2 =$   
25 18 and  $M_y^2 = 1.2$ . In other words, output radiation from a laser diode is almost  
diffraction limited in the Y-direction (along the fast axis) and 18 times “worse” than  
diffraction limited beam in the X-direction.

-2-

The fact that output beam from LDs is essentially diffraction-limited in one direction and non-diffraction limited in the orthogonal direction allows for efficient spatial multiplexing when a number of beams are stacked in such a way that  $M^2$  is approximately equal in both directions. For example, if one stacks 15 beams along the

5 Y-axis then such a source will have  $M_x^2 \sim M_y^2 = 18$  (since  $15 \times 1.2 = 18$ ). In applications where a single mode beam is not required, for example coupling light into a circular multimode fibre, the coupling efficiency is determined by  $M_{\max}^2$  so that the coupling efficiency from a single stripe LD with  $M_x^2 = 18$  and  $M_y^2 = 1.2$  is approximately the same as from a LD stack with  $M_x^2 = M_y^2 = 18$ , but the coupled

10 optical power will be 10 times greater in the latter case.

This multiplexing or coupling principle was first used in 1968, as described in US 3,396,344 [1] in which beam combining is achieved by collimating the fast axis and focusing by a cylindrical lens. More recent multiplexing designs are disclosed in US

15 5,319,528 [2] and US 6,075,912 [3].

### SUMMARY OF THE INVENTION

The invention provides an optical multiplexing device comprising: a plurality of n optical sources that output respective beams with asymmetric spatial distributions; a  
5 plurality of n collimators arranged adjacent to respective ones of the optical sources so as to collimate their output beams; and at least n-1 beam deflectors, each associated with one of the optical sources, and arranged so as to deflect the respective beams so that after deflection the beams are combined to form a single composite beam diverging from a common origin point.

10

In embodiments of the invention, the at least n-1 beam deflectors are positioned at distance z from the origin point that are in far-field, far-field being defined as  $z > \pi \omega_0^2 / \lambda$ , where  $2\omega_0$  is the beam waist diameter and  $\lambda$  is the operating wavelength. Moreover, the at least n-1 beam deflectors are preferably arranged at an angle that  
15 takes account of the z dependence of the angle of beam divergence. In some embodiments of the invention there is only one beam deflector, In other embodiments of the invention there are a plurality of beam deflectors, and the beam deflectors are arranged staggered at different distances z from the origin point, and at different angles to each other taking account of the z dependence of the angle of beam  
20 divergence (in far field). The collimated output beams will generally be at an angle to each other prior to deflection.

With the invention it is possible to arrange the at least n-1 beam deflectors such that the deflected beams do not overlap and do not block deflected beams from other ones  
25 of the beam deflectors, thereby avoiding loss of power during the beam combining.

In principle, the collimators could be complex multi-component arrangements, but they are preferably single optical elements, for example a single microlens. The collimators can be conveniently fixed by cementing to their respective optical sources.

30

The collimators are preferably arranged to achieve minimum beam divergence in far field. This can be done during assembly by imaging onto a sheet of paper or other imaging plane. The collimators are also preferably arranged so that their beam waists are formed either on output facets of the optical sources, or within the optical sources.

5

The asymmetric spatial distributions of the output beams can be characterised by a fast axis and a slow axis, and the collimators are preferably arranged to collimate the output beams along their fast axes.

- 10 The optical sources can be lasers or non-laser sources. In the main embodiments described below, the optical sources are multimode diode lasers.

The beam deflectors are mirrors in the main embodiments described below, but prisms could also be used, or any other suitable optical elements.

15

Embodiments of the invention are expected to be most usually used to combine perhaps 3 to 8 beams together, but any number of beams in the range 2-10 would not be unusual. In principle higher numbers of beams could also be combined, for example up to 20 or 30 beams.

20

The device may further comprise a focusing element, such as a lens or mirror, arranged to focus the combined beam to a coupling region for coupling into an entrance aperture of an external component such as an optical fibre or other type of waveguide, e.g. a planar waveguide.

25

The packaged device could be used as a pump module for pumping a fibre laser or fibre amplifier for example.

These and other features, advantages and aspects of the invention are listed as follows:

-5-

1. Spatial beam combination is performed such that all the beams are combined to have a common spatial image in space, or the waists of all the beams after combination converge in space.
2. Spatial beam combining when each optical beam occupied such predetermined  
5 by parameters  $\alpha$  and  $Z_0$  position that there is no spatial overlapping of the combined beams.
3. Collimator is preferably arranged in such a way that the beam waists on fast and slow axes are overlapped.
4. The combined beams are preferably Gaussian beams.
- 10 5. For Gaussian beams, the parameters  $\alpha$  and  $Z_0$  are preferably substantially governed by the expression  $Z_0 \operatorname{tg}(\alpha/2) \geq \omega_0 (1 + (z_0 \lambda / (\pi \omega_0^2))^2)^{1/2}$
6. The parameters  $\alpha$  and  $Z_0$  are preferably substantially governed by the expression  $\alpha/2 \geq \phi_0 = f(z_0)$  where  $f(z)$  determined by the spatial boundary of the multiplexed optical beam.
- 15 7. The collimated beams prior to deflection are not parallel and the divergence of optical axis of the collimated beams is chosen to achieve highest brightness of the device.
8. The collimated beams prior to deflection do not lie in the same plane.

**BRIEF DESCRIPTION OF THE DRAWINGS**

For a better understanding of the invention and to show how the same may be carried into effect reference is now made by way of example to the accompanying drawings.

5

Figure 1 shows general characteristics of a standard laser diode.

Figure 2 is a schematic perspective view of a laser diode and collimator combination which forms a component of a device embodying the invention.

10

Figure 3 shows plan and side views of the component of Figure 2.

Figure 4 shows various alternative designs of collimator suitable for use in a device embodying the invention.

15

Figure 5 shows aspects of collimator design shown at the bottom of Figure 4 in more detail.

Figure 6 shows intensity distributions at different far field positions along the optical axis of a single beam collimated according to the invention.

20

Figure 7 is a geometric ray trace diagram of a combination of two point sources, one with deflector, one without.

Figure 8 is of the same general optical set-up as Figure 7, but shows laser diode sources with finite beam waists instead of point sources.

25

Figure 9 shows an example commercial device embodying the invention in which seven laser beams from seven laser diodes are multiplexed into a single combined output beam by respective deflecting mirrors.

30

Figure 10 illustrates design principles of the beam combination taught by the invention.

- 5 Figure 11 is a schematic illustration of the design of US 6,075,912 [3] for comparison with Figure 10.

Figure 12 shows a pump module according to an embodiment of the invention.

## **DETAILED DESCRIPTION**

An embodiment of the invention relating to multiplexing two or more non-symmetrical laser beams from laser diodes is now described, where the beams are multiplexed in the direction of the fast axes of the beams. There are two key features of the multiplexing, namely:

1. collimation of the laser beams
2. deflection of the collimated beams (with possible exception of the first one which need not be deflected).

Each of these features is now described in turn.

### **1. Collimation**

In the collimation stage, one collimates each laser beam in the direction of the fast axis only in such a way that the waist sizes  $W_x$  and  $W_y$  are approximately equal to each other and both waists are located at approximately the same position along the z-axis.

Figures 2 and 3 show views of a laser diode and collimator combination that achieves this result. Figure 2 is a perspective view, Figure 3 (upper) is a side view and Figure 3 (lower) is a plan view. The figures show a collimator in the form of a cylindrical lens 4 arranged adjacent to the output facet of a LD 1, wherein the cylindrical lens 4 has its optical axis extending in the X-direction, i.e. aligned with the slow axis, so that the output beam is collimated along the fast axis (Y-direction).

The cylindrical lens 4 is arranged such that the waist sizes  $W_x$  and  $W_y$  are approximately equal, i.e. square in cross-section (shown in Figure 2 by the dotted lines 5), where the waist  $W_y$  is the imaginary waist of the output beam after collimation and the waist  $W_x$  is the natural waist at the laser diode output.

A laser with such a collimated beam can be considered as a new light source with approximately symmetrical near field, as illustrated in Figure 2 by the sketched square cross-section 5 and highly asymmetrical far field, as illustrated in Figure 2 by the sketched cross-section 6. It is noted that, since the slow axis waist coincides with output facet of the laser diode (see Figure 3 - lower), the fast axis waist should be positioned at the laser diode output facet as well (see Figure 3 - upper).

Figure 4 shows various different embodiments of the collimator 8 by way of example. The focal point 7 at the beam waist is also shown. Other collimator designs could also be used. In the upper drawing, the collimator is shown as a "black box", i.e. a multicomponent lens and/or mirror arrangement. In the next drawing, an aspherical cylindrical lens 9 is the collimator element. In the next drawing, a cylindrical lens 10 with gradient refractive index profile is used. Finally, in the lowest drawing, a cylindrical lens comprising two materials with different refractive indices 11, 12 is used to provide a step refractive index profile.

Figure 5 shows the advantages of using a step index profile. The use of a complex cylindrical lens 14, 15 allows for compensation of geometrical aberrations. By suitable choice of the outer diameters  $d_{14}$  and  $d_{15}$  of the cylinders 14 and 15, and their refractive indices, one can achieve substantial compensation of geometrical aberrations.

If a simple cylindrical lens 13 of outer diameter  $d_{13}$  is used as shown on the upper left drawing in Figure 5, then the larger the divergence of the incident beam the greater the geometrical aberrations as shown on the upper right drawing in Figure 5. Those geometrical aberrations result in a decrease in brightness of the optical system. The use of complex lens comprising two cylinders 14, 15 with different refractive indices such that the inner cylinder 14 has a lower refractive index than the outer cylinder 15 results in a significant reduction of geometrical aberrations as shown in lower right

drawing in Figure 5, which in turn will result in an increase in brightness of the optical system.

5 It is an important advantage of the design that only one component is needed for optical beam collimation, i.e. from a practical point of view the collimator design is relatively simple and straightforward. For assembly, the collimator lens can be cemented to the laser diode in a conventional manner.

10 The optical beam after collimation could be Gaussian, near-Gaussian or arbitrary.

Figure 6 shows intensity distributions along the optical axis  $z$  of the collimated beam at different distances away from the origin point. A beam of origin 7 is collimated by a cylindrical lens 8 to form a fast axis waist of dimension  $W_y$ . Along the propagation direction  $z$ , the beam continues to diverge in the  $Y$ -axis in far field. The figure shows  
15 inset the intensity distributions plotted as intensity  $I$  against the  $Y$ -axis at three different distances from the origin, namely  $z_1$ ,  $z_2$  and  $z_3$ , all of which lie in far field. As illustrated, the collimated optical beam has a near field with low divergence and a far field with constant divergence. If one considers intensity distribution in the  $Y$ -  
20 direction then as is evident from the inset intensity distributions, at certain positions light intensity is equal to zero. Those points can be characterised by an angle  $\phi_0$  in respect of the  $z$ -axis, and it is evident from Figure 6 that  $\phi_0 = \phi_0(z)$ .

## 2. Deflection

25 Deflection should satisfy two conditions:

1. A deflector (21, 26, 41-47) should deflect its incident beam in such a way that all images of all deflected beams coincide in space (Figure 7). In other words, the (imaginary) waists of all beams should overlap in space (Figure 8).

2. The beams themselves should not overlap, i.e. each optical beam should occupy its own specific space, otherwise some of the deflectors will block part of the optical beam from other laser diodes. Figures 7 and 8 illustrate this principle for two sources, one direct and the other deflected. Figure 7 deals with point sources 19, 20. Deflector 21 is situated in far field and at equal distance  $z_0$  from both sources 19 and 20. Figure 8 shows application of this principle in a case of laser diodes 24 and 25. It is important that the image of either point source 20 or laser diode 25 overlaps with the position of the other light source (point source 19 in Figure 7 or laser diode source 24 in Figure 8). To avoid possible confusion, it is noted that in both examples, one of the images is a virtual image so there is no overlap of the beams themselves.

Condition 2 can be met by proper choice of parameters  $\alpha$  and  $Z_0$ . For example, for Gaussian beams,  $\alpha$  and  $Z_0$  should satisfy the following condition

15

$$Z_0 \operatorname{tg}(\alpha/2) \geq \omega_0 (1 + (z_0 \lambda / (\pi \omega_0^2))^2)^{1/2} \quad (2)$$

where  $2\omega_0$  is the beam waist diameter and  $\lambda$  is the operating wavelength. From this expression it is clear that the greater  $Z_0$  the smaller the  $\alpha$  and this means that the for high density "beam packaging" one should position the deflectors as far as possible away from the (imaginary/virtual) source position 7.

20

In the case of an arbitrary (non-Gaussian) beam, as shown in Figure 6, the condition (2) can be re-written as follows:

25

$$\alpha/2 \geq \phi_0 = f(z_0) \quad (3)$$

where function  $\phi_0 = f(z)$  defines the beam area which has to be multiplexed (for example the area limited by the first zero intensity minima in Figure 6).

30

-12-

Figure 9 shows a commercial device where 31-37 are laser diodes with their own collimators, 41-47 are deflectors situated in the far field region of the laser diode beams, and 51-57 are deflected beams (for simplicity only the principal axes of the beams are shown). Reference numeral 30 indicates the common imaginary source position of the multiplexed beams. An additional laser diode, with collimator, can be placed at point 30 if desired (as in Figure 8 example). Such a laser diode would of course not require a deflector.

It is important to note that the angles between adjacent beams are different and have been chosen in accordance with Eq. 3. If  $\alpha < \alpha_{opt}$  then it will result in loss of multiplexed output power because one or more deflectors would block optical power from adjacent beams. On the other hand, if  $\alpha > \alpha_{opt}$  then loss of optical brightness of the multiplexed beam will follow.

Figure 10 illustrates the beam combination principle of the invention. A key feature here is that the multiplexed beams are not parallel and diverge from one common (imaginary) point. This contrasts from all the prior art solutions referred to above in which the multiplexed beams are all parallel to each other. Another important distinction from the prior art solutions, is that in the proposed solution the multiplexing occurs in far field, i.e. when  $Z > \pi \omega^2_0/\lambda$ , whereas in all the prior art solutions multiplexing has been done in the near field.

Figure 11, showing a prior art scheme, emphasises fundamental differences between the prior art and the invention, since in the prior art design all the deflected elements are situated in near field and all the multiplexed beams are parallel. This prior art does not allow one to achieve highest brightness and efficiency of the multiplexer. According to the teaching of the present invention it will thus be understood that, in order to achieve highest brightness of the multiplexed beam, the angles of the collimated beams need to be different and the collimated beams should not be parallel. Moreover, the deflected beams should not parallel and do not even need to lie in the same plane.

### **3. Applications Example**

5

Figure 12 shows a pump module contained in a housing 59 which incorporates a multiplexer as described above for launching power from a plurality of laser diodes  $LD_n$  into an optical fibre 60. The laser diode outputs are collimated by collimating lenses  $K_n$  into collimated beams that are incident on respective deflecting mirrors  $M_n$  which combine the  $n$  beams to form a single composite beam diverging from a common origin point (see converging dashed lines) as will be understood from the foregoing description. Typically,  $n$  would be in the range 2-8. The composite beam is then incident onto a focusing element in the form of a concave mirror 61 located in far field in respect of the common origin point. The concave mirror 61 is arranged to focus the combined beam generated by the deflecting mirrors  $M_n$  to a coupling region close to the housing wall for coupling the light into a component external to the module. In this example the external component is an optical fibre 60 whose end face forms an entrance aperture for the focused beam. The optical fibre 60 can be fixed to the module in a convenient manner by providing a ferrule (not shown) integral with the housing 59.

10  
15  
20

### **4. Variations**

The embodiments described above concentrate on using mirrors as the deflectors. As an alternative, prisms could be used as deflectors.

25

The embodiments use LDs as the laser sources. Other types of laser sources could be used, for example solid state lasers, e.g. YAG, or gas lasers, e.g.  $CO_2$  slabs. The invention could also be applied to combining other kinds of (non-laser) optical beams with asymmetric divergence properties, e.g. conventional or superfluorescent LEDs.

30

Moreover, the optical sources could be waveguides, such as planar waveguides or optical fibres. In the case of optical fibres these could be single mode or multimode. The waveguides could be active or passive, i.e. they could be used passively for relaying an optical signal generated from a remote light source or they could be active devices with intrinsic gain, such as may be caused by doping with rare earth elements.

5

**REFERENCES**

- [1] US 3,396,344
- [2] US 5,319,528
- 5 [3] US 6,075,912

**CLAIMS**

1. An optical multiplexing device comprising:  
a plurality of n optical sources that output respective beams with asymmetric spatial distributions;  
5 a plurality of n collimators arranged adjacent to respective ones of the optical sources so as to collimate their output beams; and  
at least n-1 beam deflectors, each associated with one of the optical sources, and arranged so as to deflect the respective beams so that after deflection the beams are combined to form a single composite beam diverging from a common origin point.  
10
2. The device of claim 1, wherein the at least n-1 beam deflectors are positioned at distance z from the origin point that are in far-field, far-field being defined as  $z > \pi \omega_0^2 / \lambda$ , where  $2\omega_0$  is the beam waist diameter and  $\lambda$  is the operating wavelength.
- 15 3. The device of claim 2, wherein the at least n-1 beam deflectors are arranged at an angle that takes account of the z dependence of the angle of beam divergence.
4. The device of claim 2, wherein there are a plurality of beam deflectors, and the beam deflectors are arranged staggered at different distances z from the origin point,  
20 and at different angles to each other taking account of the z dependence of the angle of beam divergence.
5. The device of any one of the preceding claims, wherein the collimated output beams are at an angle to each other prior to deflection.  
25
6. The device of any one of the preceding claims, wherein the at least n-1 beam deflectors are arranged such that the deflected beams do not overlap and do not block deflected beams from other ones of the beam deflectors.

7. The device of any one of the preceding claims, wherein the collimators are single optical elements.
8. The device of any one of the preceding claims, wherein the collimators are cemented to their respective optical sources.
9. The device of any one of the preceding claims, wherein the collimators are arranged to achieve minimum beam divergence in far field.
10. 10. The device of any one of the preceding claims, wherein the collimators are arranged so that their beam waists are formed on output facets of the optical sources, or within the optical sources.
11. The device of any one of the preceding claims, wherein the output beams have a fast axis and a slow axis, and the collimators are arranged to collimate the output beams along their fast axes.
12. The device of any one of the preceding claims, wherein the optical sources are lasers.
13. The device of any one of the preceding claims, wherein the lasers are diode lasers.
14. The device of any one of claims 1 to 13, wherein the beam deflectors are mirrors.
15. The device of any one of claims 1 to 13, wherein the beam deflectors are prisms.
16. The device of any one of the preceding claims, wherein  $n$  is in the range 2-10.

17. The device of any one of the preceding claims, wherein  $n$  is in the range 3-8.
18. The device of any one of the preceding claims, further comprising a focusing  
5 element arranged to focus the combined beam to a coupling region for coupling into  
an external component.
19. The device of any one of the preceding claims, further comprising a waveguide  
having an entrance aperture positioned to received the combined beam.
- 10 20. The device of claims 17 and 18, wherein the entrance aperture is arranged at  
the coupling region.
21. The device of claim 18 or 19, wherein the waveguide is an optical fibre.
- 15 22. The device of claim 18 or 19, wherein the waveguide is a planar waveguide.
23. An optical multiplexing device substantially as hereinbefore described with  
reference to Figures 1 to 10 of the accompanying drawings.
- 20 24. A pump module substantially as hereinbefore described with reference to  
Figure 12 of the accompanying drawings.

1/7

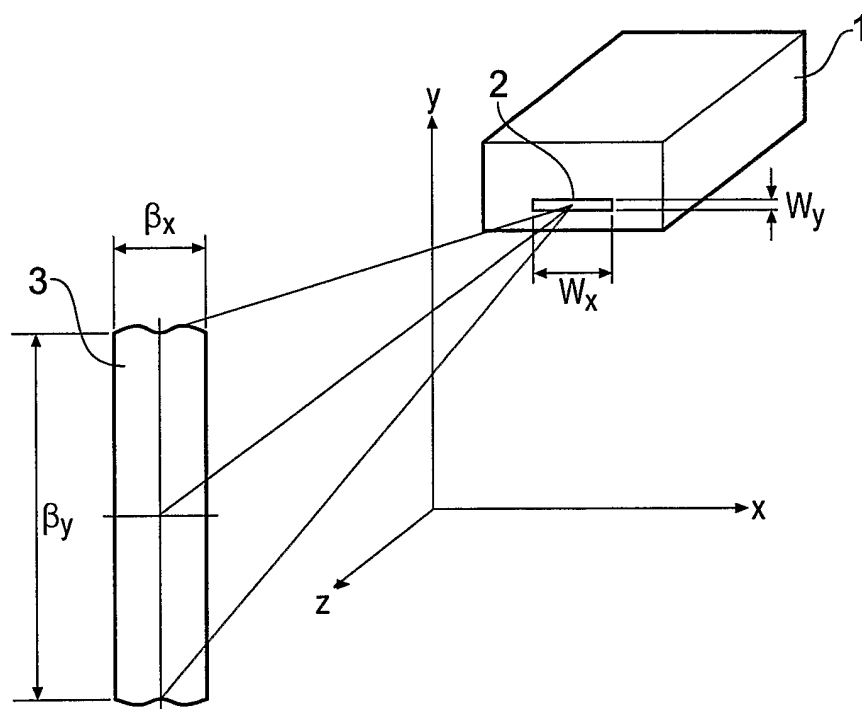


Fig. 1

2/7

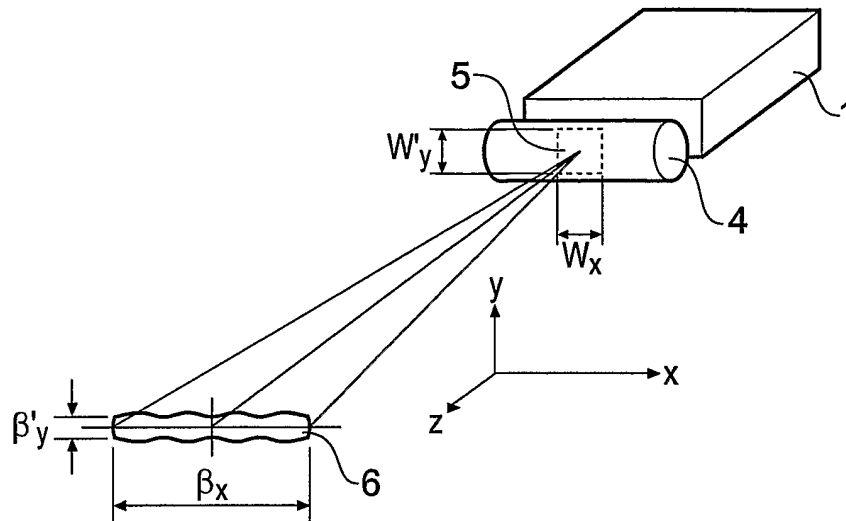


Fig. 2

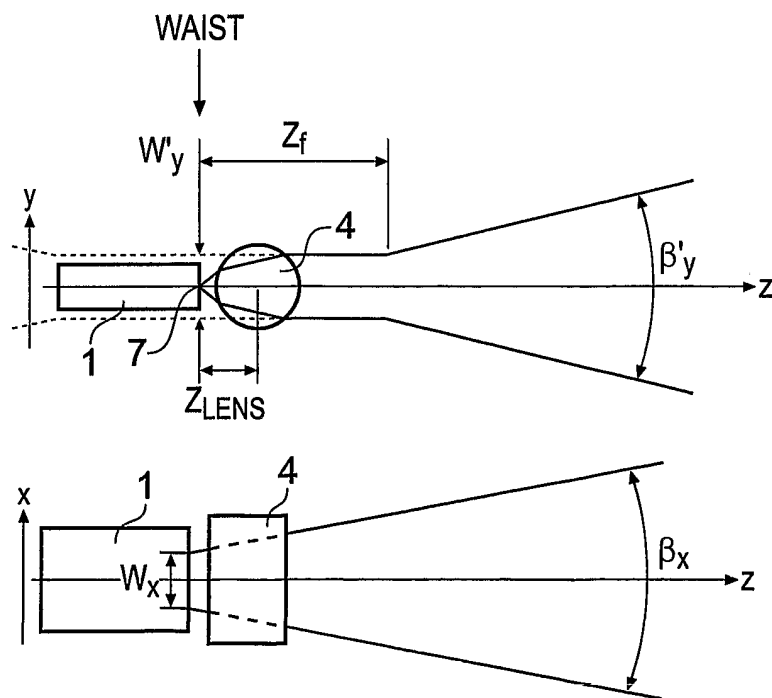


Fig. 3

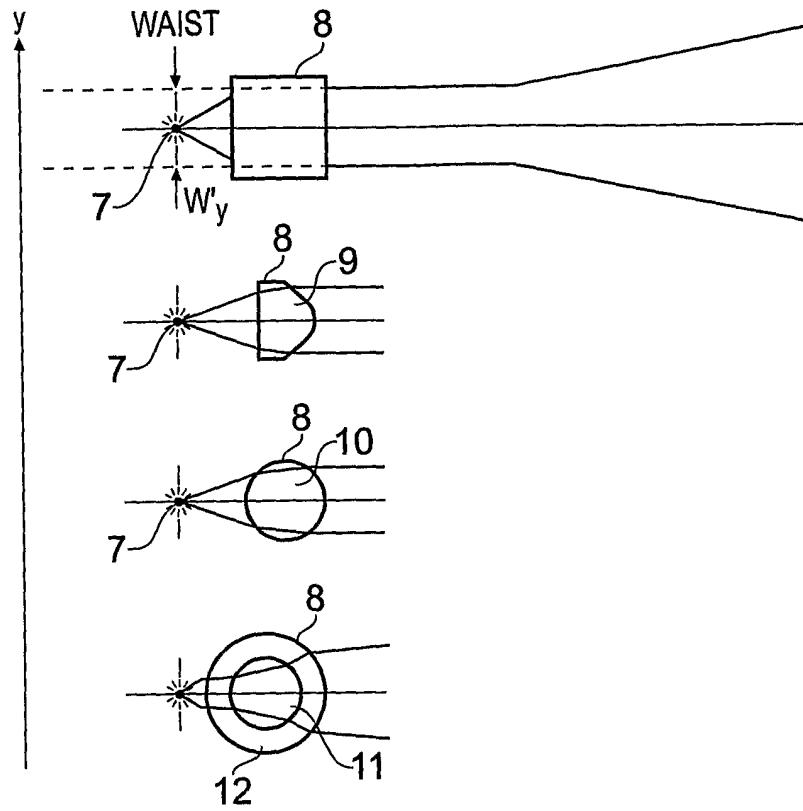


Fig. 4

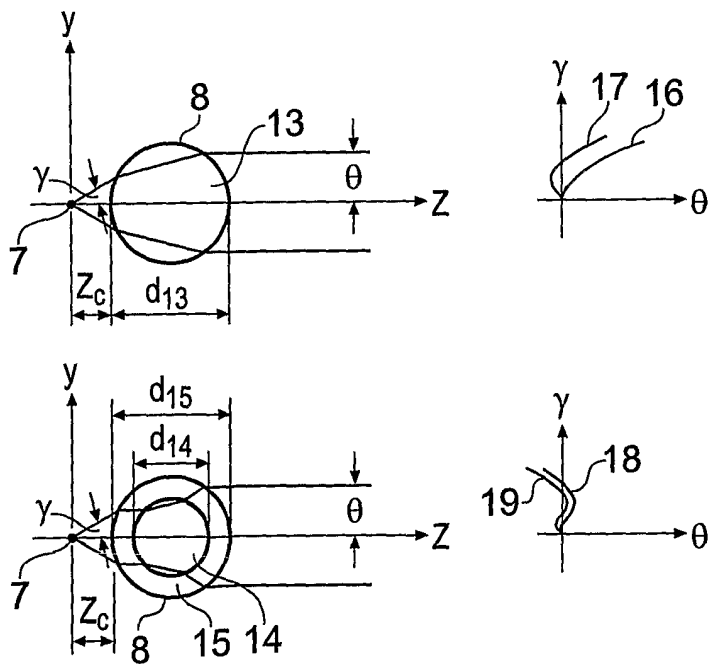


Fig. 5

4/7

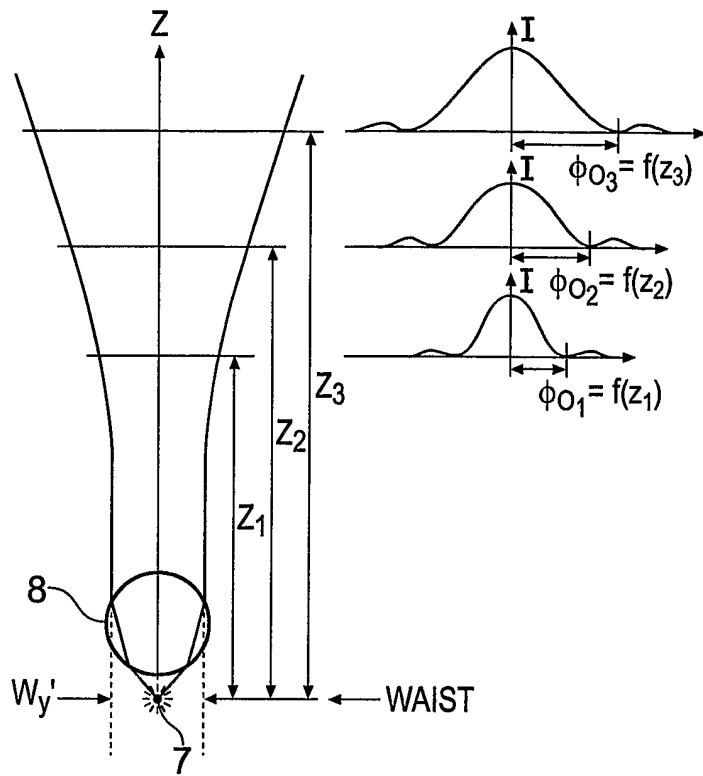


Fig. 6

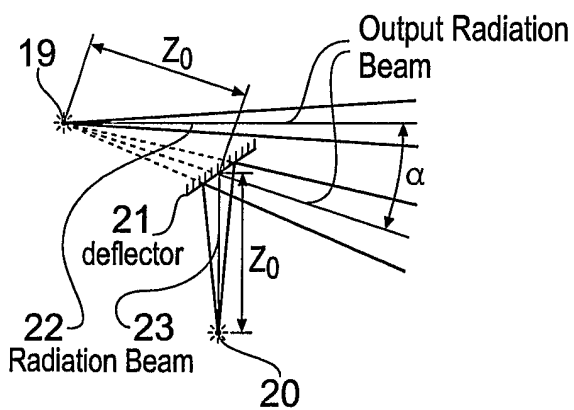


Fig. 7

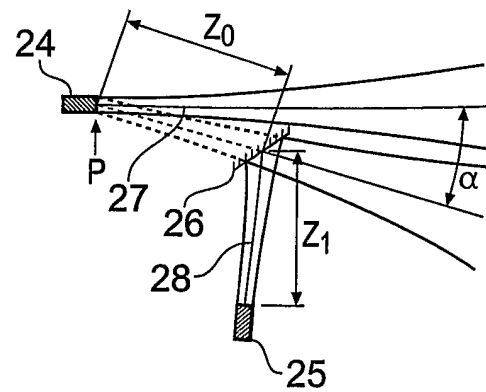


Fig. 8

5/7

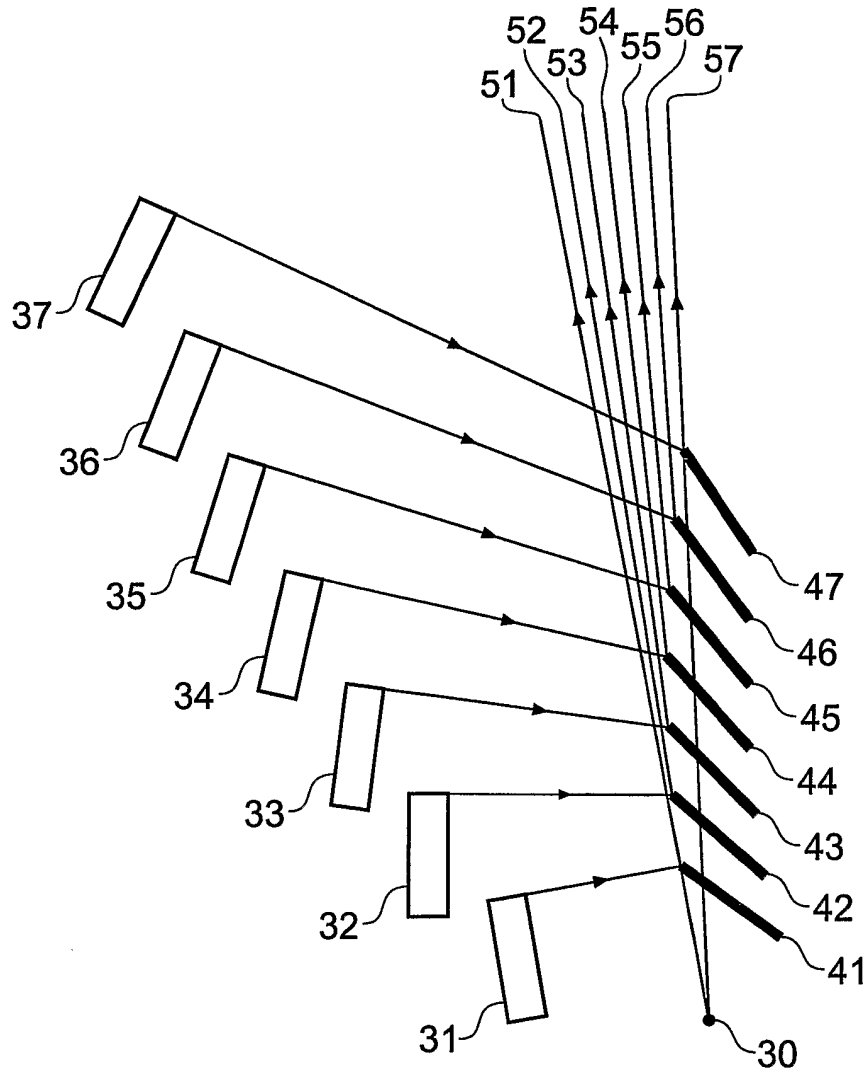


Fig. 9

6/7

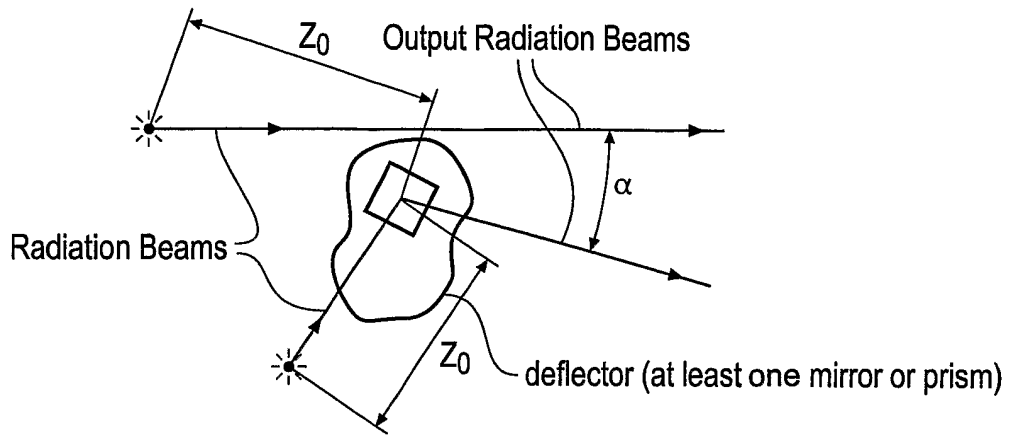


Fig. 10

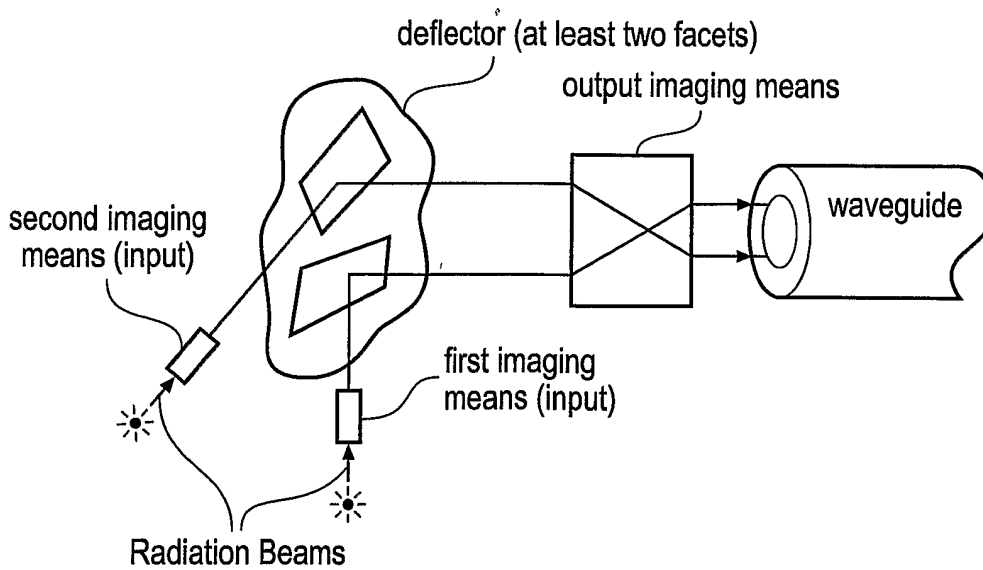


Fig. 11 (PRIOR ART)

7/7

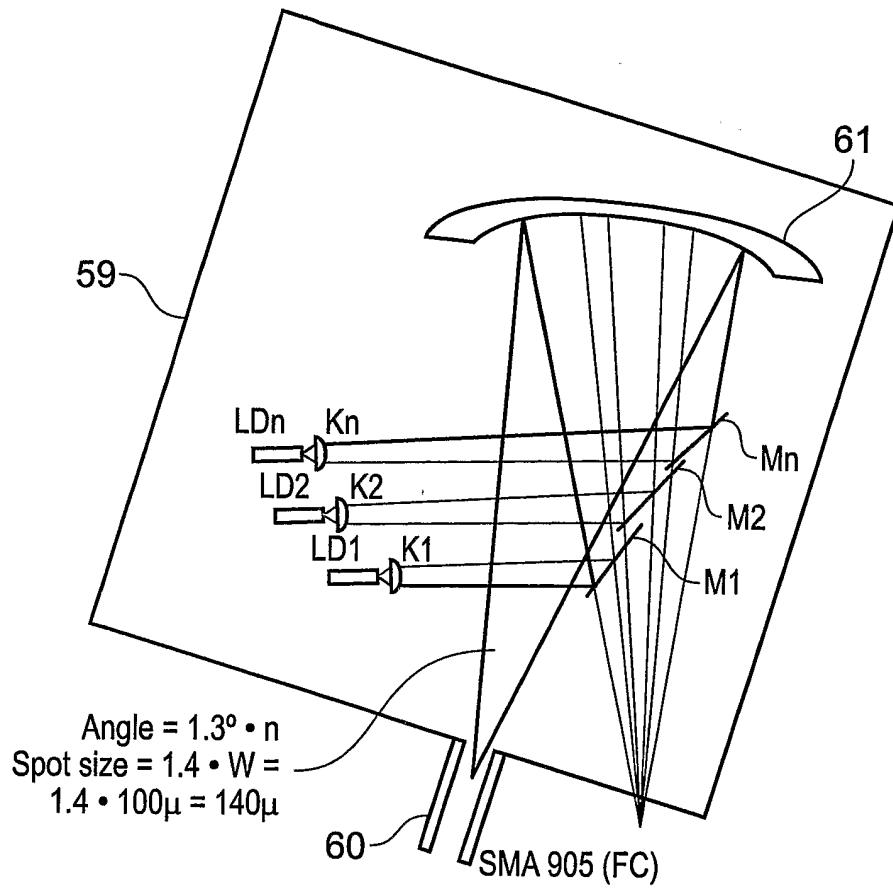


Fig. 12

# INTERNATIONAL SEARCH REPORT

International Application No  
PCT/GB2004/002155

**A. CLASSIFICATION OF SUBJECT MATTER**  
 IPC 7 G02B27/10 H01S5/40 H01S3/00

According to International Patent Classification (IPC) or to both national classification and IPC

**B. FIELDS SEARCHED**

Minimum documentation searched (classification system followed by classification symbols)  
 IPC 7 G02B H01S

Documentation searched other than minimum documentation to the extent that such documents are included in the fields searched

Electronic data base consulted during the international search (name of data base and, where practical, search terms used)  
 EPO-Internal, WPI Data, PAJ

| Category ° | Citation of document, with indication, where appropriate, of the relevant passages       | Relevant to claim No.            |
|------------|--|----------------------------------|
| X          | US 6 044 096 A (ENDRIZ JOHN G ET AL)<br>28 March 2000 (2000-03-28)<br>figure 2           | 1-22                             |
| X          | EP 0 279 932 A (IBM)<br>31 August 1988 (1988-08-31)<br><br>figure 1                      | 1-3, 5, 7,<br>8, 10-16,<br>18-22 |
| X          | US 4 566 765 A (MIZUKOSHI KATSURO ET AL)<br>28 January 1986 (1986-01-28)<br><br>figure 8 | 1-4,<br>6-10,<br>12-14,<br>16-22 |
|            | -----<br>-/--  |                                  |

Further documents are listed in the continuation of box C.       Patent family members are listed in annex.

° Special categories of cited documents:

|  |  |
|--|--|
| <p>*A* document defining the general state of the art which is not considered to be of particular relevance</p> <p>*E* earlier document but published on or after the international filing date</p> <p>*L* document which may throw doubts on priority claim(s) or which is cited to establish the publication date of another citation or other special reason (as specified)</p> <p>*O* document referring to an oral disclosure, use, exhibition or other means</p> <p>*P* document published prior to the international filing date but later than the priority date claimed</p> | <p>*T* later document published after the international filing date or priority date and not in conflict with the application but cited to understand the principle or theory underlying the invention</p> <p>*X* document of particular relevance; the claimed invention cannot be considered novel or cannot be considered to involve an inventive step when the document is taken alone</p> <p>*Y* document of particular relevance; the claimed invention cannot be considered to involve an inventive step when the document is combined with one or more other such documents, such combination being obvious to a person skilled in the art.</p> <p>*&amp;* document member of the same patent family</p> |
|--|--|

|  |   |
|--|---|
| Date of the actual completion of the international search<br><br><b>26 July 2004</b>   | Date of mailing of the international search report<br><br><b>10/08/2004</b> |
| Name and mailing address of the ISA<br>European Patent Office, P.B. 5818 Patentlaan 2<br>NL - 2280 HV Rijswijk<br>Tel. (+31-70) 340-2040, Tx. 31 651 epo nl,<br>Fax: (+31-70) 340-3016 | Authorized officer<br><br><b>Quertemont, E</b>                              |

## INTERNATIONAL SEARCH REPORT

International Application No  
PCT/GB2004/002155

## C.(Continuation) DOCUMENTS CONSIDERED TO BE RELEVANT

| Category ° | Citation of document, with indication, where appropriate, of the relevant passages                     | Relevant to claim No. |
|------------|--|-----------------------|
| X          | US 5 319 528 A (RAVEN ANTHONY)<br>7 June 1994 (1994-06-07)<br>cited in the application<br>figure 10    | 1-4, 6-22             |
| A          | -----<br>US 5 861 992 A (GELBART DANIEL)<br>19 January 1999 (1999-01-19)<br>figure 2                   | 1                     |
| A          | -----<br>US 5 081 639 A (SNYDER JAMES J ET AL)<br>14 January 1992 (1992-01-14)<br>figures 8,9<br>----- | 8-11                  |

# INTERNATIONAL SEARCH REPORT

International application No.  
PCT/GB2004/002155

## Box II Observations where certain claims were found unsearchable (Continuation of item 2 of first sheet)

This International Search Report has not been established in respect of certain claims under Article 17(2)(a) for the following reasons:

1.  Claims Nos.:  
because they relate to subject matter not required to be searched by this Authority, namely:
  
2.  Claims Nos.: 23, 24  
because they relate to parts of the International Application that do not comply with the prescribed requirements to such an extent that no meaningful International Search can be carried out, specifically:  
see FURTHER INFORMATION sheet PCT/ISA/210
  
3.  Claims Nos.:  
because they are dependent claims and are not drafted in accordance with the second and third sentences of Rule 6.4(a).

## Box III Observations where unity of invention is lacking (Continuation of item 3 of first sheet)

This International Searching Authority found multiple inventions in this international application, as follows:

1.  As all required additional search fees were timely paid by the applicant, this International Search Report covers all searchable claims.
  
2.  As all searchable claims could be searched without effort justifying an additional fee, this Authority did not invite payment of any additional fee.
  
3.  As only some of the required additional search fees were timely paid by the applicant, this International Search Report covers only those claims for which fees were paid, specifically claims Nos.:
  
4.  No required additional search fees were timely paid by the applicant. Consequently, this International Search Report is restricted to the invention first mentioned in the claims; it is covered by claims Nos.:

### Remark on Protest

- The additional search fees were accompanied by the applicant's protest.
- No protest accompanied the payment of additional search fees.

**FURTHER INFORMATION CONTINUED FROM PCT/ISA/ 210**

Continuation of Box II.2

Claims Nos.: 23,24

Rule 6, 6.2 (a)

The applicant's attention is drawn to the fact that claims relating to inventions in respect of which no international search report has been established need not be the subject of an international preliminary examination (Rule 66.1(e) PCT). The applicant is advised that the EPO policy when acting as an International Preliminary Examining Authority is normally not to carry out a preliminary examination on matter which has not been searched. This is the case irrespective of whether or not the claims are amended following receipt of the search report or during any Chapter II procedure. If the application proceeds into the regional phase before the EPO, the applicant is reminded that a search may be carried out during examination before the EPO (see EPO Guideline C-VI, 8.5), should the problems which led to the Article 17(2) declaration be overcome.

## INTERNATIONAL SEARCH REPORT

 International Application No  
 PCT/JP2004/002155

| Patent document cited in search report |   | Publication date | Patent family member(s)   | Publication date   |
|--|---|------------------|---|--|
| US 6044096                             | A | 28-03-2000       | NONE  |  |
| EP 0279932                             | A | 31-08-1988       | DE 3782043 D1<br>DE 3782043 T2<br>EP 0279932 A1<br>JP 1920718 C<br>JP 6029915 B<br>JP 63194223 A<br>US 4917453 A  | 05-11-1992<br>15-04-1993<br>31-08-1988<br>07-04-1995<br>20-04-1994<br>11-08-1988<br>17-04-1990   |
| US 4566765                             | A | 28-01-1986       | JP 4012039 B<br>JP 59069979 A<br>DE 3379553 D1<br>EP 0106336 A2   | 03-03-1992<br>20-04-1984<br>11-05-1989<br>25-04-1984   |
| US 5319528                             | A | 07-06-1994       | AT 190733 T<br>AU 649707 B2<br>AU 8311791 A<br>BR 9106718 A<br>CA 2088497 A1<br>DE 69132049 D1<br>DE 69132049 T2<br>DK 541658 T3<br>EP 0541658 A1<br>ES 2142803 T3<br>WO 9202844 A1<br>GB 2261528 A , B<br>GR 3033564 T3<br>JP 3078836 B2<br>JP 5509179 T<br>US 5463534 A | 15-04-2000<br>02-06-1994<br>02-03-1992<br>29-06-1993<br>02-02-1992<br>20-04-2000<br>21-09-2000<br>05-06-2000<br>19-05-1993<br>01-05-2000<br>20-02-1992<br>19-05-1993<br>29-09-2000<br>21-08-2000<br>16-12-1993<br>31-10-1995 |
| US 5861992                             | A | 19-01-1999       | NONE  |  |
| US 5081639                             | A | 14-01-1992       | US 5080706 A<br>EP 0504330 A1<br>JP 5502980 T<br>WO 9206521 A1<br>DE 69126518 D1<br>DE 69126518 T2<br>EP 0503006 A1<br>ES 2103002 T3<br>JP 5502851 T<br>JP 3121614 B2<br>WO 9206046 A1<br>US 5155631 A  | 14-01-1992<br>23-09-1992<br>20-05-1993<br>16-04-1992<br>17-07-1997<br>09-10-1997<br>16-09-1992<br>16-08-1997<br>20-05-1993<br>09-01-2001<br>16-04-1992<br>13-10-1992   |