



US00D733418S

(12) **United States Design Patent**
Horn

(10) **Patent No.:** **US D733,418 S**

(45) **Date of Patent:** **** Jul. 7, 2015**

(54) **PILL BOTTLE WITH INDICIA AND WRITING INSTRUMENT HOLDER**

Primary Examiner — Catheri Oliver-Garcia
(74) *Attorney, Agent, or Firm* — James Ray & Assoc

(71) Applicant: **Kimberlee Ann Horn**, Romney, IN (US)

(57) **CLAIM**

The ornamental design for a pill bottle with indicia and writing instrument holder, as shown.

(72) Inventor: **Kimberlee Ann Horn**, Romney, IN (US)

(**) Term: **14 Years**

DESCRIPTION

(21) Appl. No.: **29/444,255**

FIG. 1 is a perspective view of a pill bottle showing my new design.

(22) Filed: **Jan. 29, 2013**

FIG. 2 is a front perspective view of another embodiment thereof.

(51) **LOC (10) Cl.** **03-01**

FIG. 3 is a bottom plan view of the pill bottle in FIG. 1.

(52) **U.S. Cl.**

FIG. 4 is a top plan view of the pill bottle in FIG. 1.

USPC **D3/203.2**

FIG. 5 is a top plan view of the pill bottle in FIG. 2.

(58) **Field of Classification Search**

FIG. 6 is a bottom plan view of the pill bottle in FIG. 2.

USPC D3/201–205; D9/516, 519, 522, 529,
D9/537, 545; 206/528–540

FIG. 7 is a left side elevation view of the pill bottle in FIG. 1.

CPC A61J 1/00; A61J 3/07; A61J 1/03;
A61J 1/1412; A61J 2001/1418; A61J
2001/1425

FIG. 8 is a front elevation view of the pill bottle in FIG. 1.

See application file for complete search history.

FIG. 9 is a right side elevation view of the pill bottle in FIG. 1.

(56) **References Cited**

FIG. 10 is a rear elevation view of the pill bottle in FIG. 1.

U.S. PATENT DOCUMENTS

FIG. 11 is a left side elevation view of the pill bottle in FIG. 2.

D602,369	S	*	10/2009	Potts et al.	D9/547
D605,949	S	*	12/2009	Potts et al.	D9/547
D680,437	S	*	4/2013	Bartolo et al.	D9/540
8,490,795	B2	*	7/2013	Ziembra	206/528
D717,174	S	*	11/2014	Garcia	D9/529

FIG. 12 is a front elevation view of the pill bottle in FIG. 2.

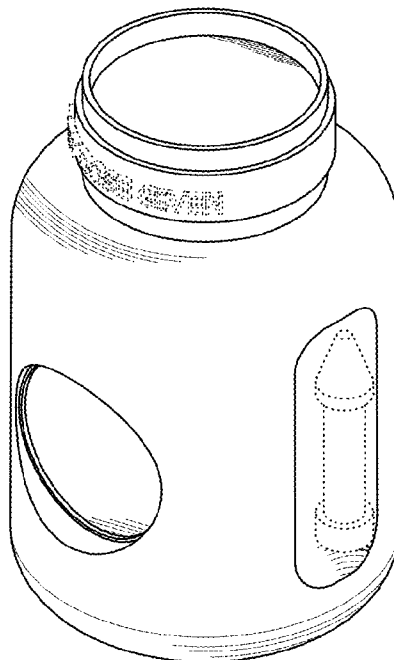
FIG. 13 is a right side elevation view of the pill bottle in FIG. 2; and,

* cited by examiner

FIG. 14 is a rear elevation view of the pill bottle in FIG. 2.

The broken lines showing of the environment in the drawings is included for the purpose of illustrating only and forms no part of the claimed design.

1 Claim, 4 Drawing Sheets



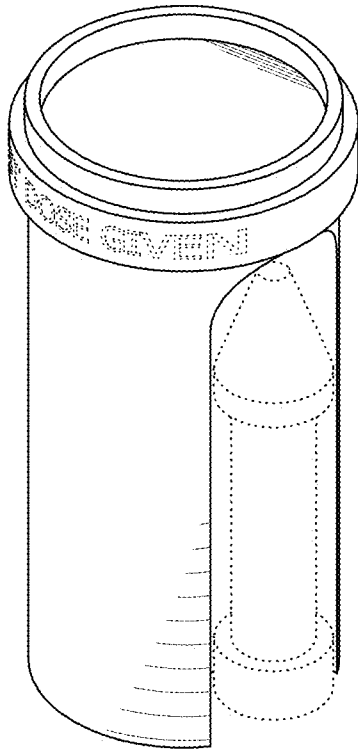


FIG. 1

FIG. 2

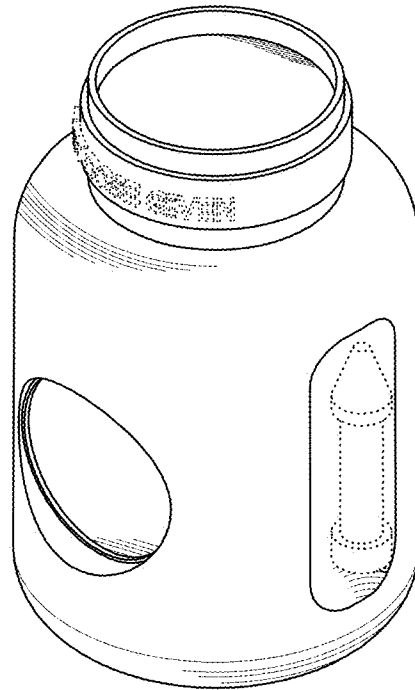


FIG. 3

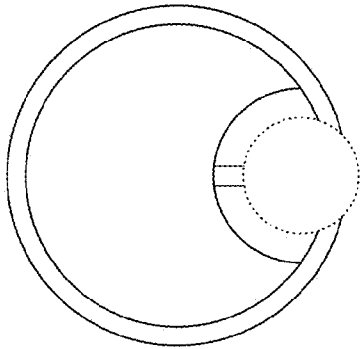


FIG. 5

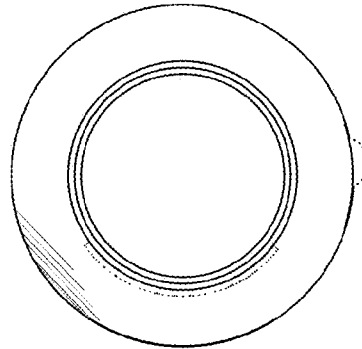


FIG. 4

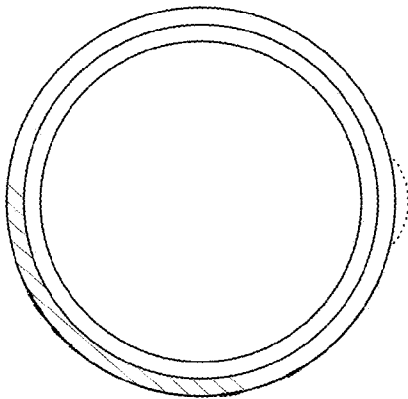


FIG. 6

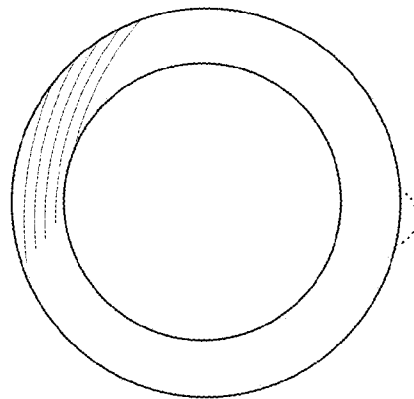


FIG. 7

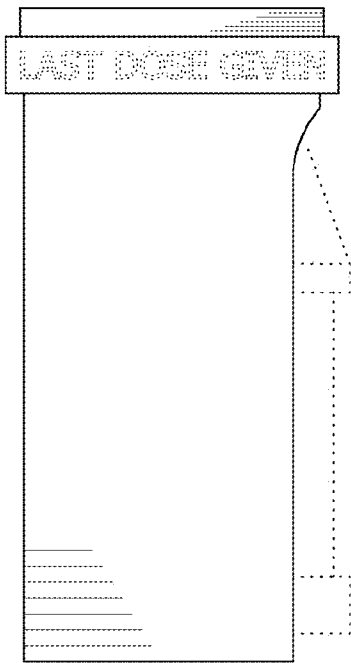


FIG. 8

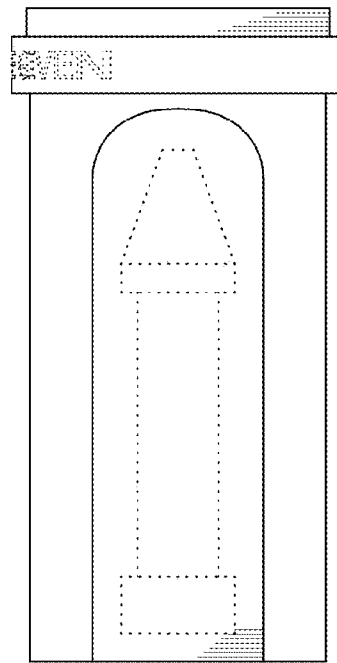


FIG. 9

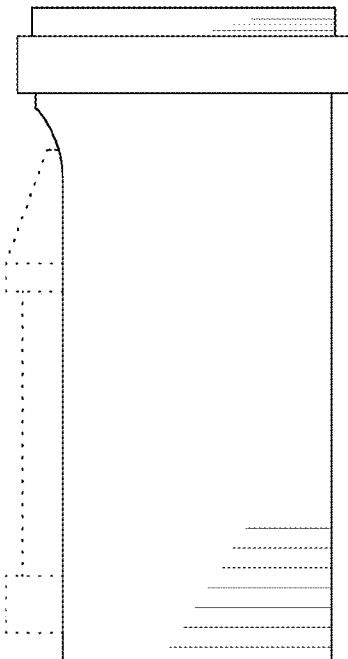


FIG. 10

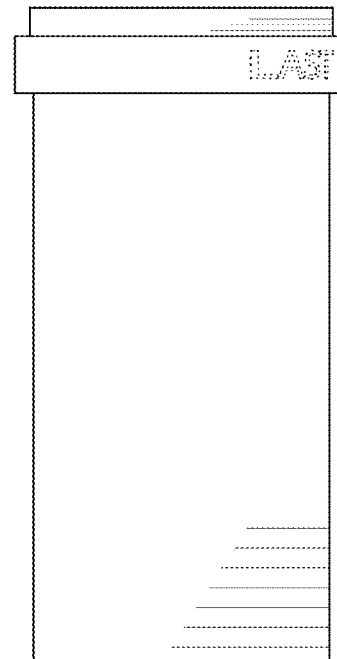


FIG. 11

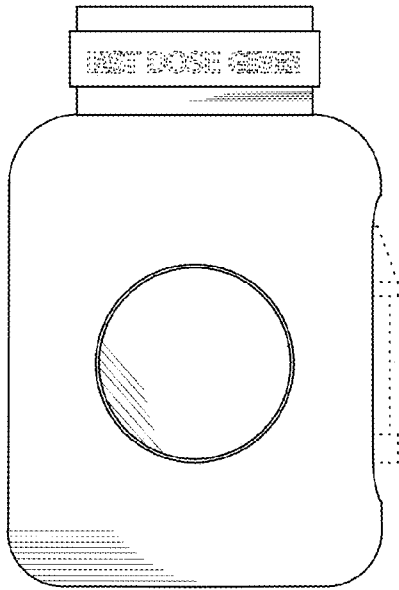


FIG. 12

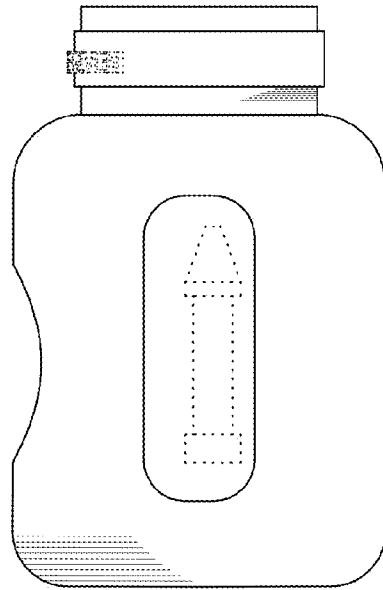


FIG. 13

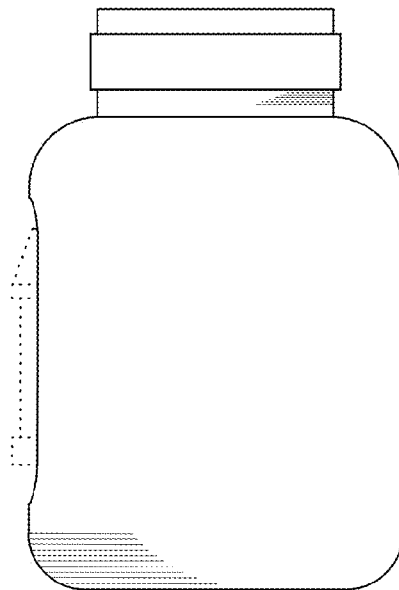


FIG. 14

