

[54] SADDLE TYPE CONNECTOR

[75] Inventors: Thomas Mooney, Mount Sinai;
Stephen Veselaski, Shirley, both of
N.Y.

[73] Assignee: ITE Imperial Corporation, East
Farmingdale, N.Y.

[**] Term: 14 Years

[21] Appl. No.: 614,201

[22] Filed: Sept. 17, 1975

[51] Int. Cl. D13-03

[52] U.S. Cl. D13/13

[58] Field of Search D26/1 A, 1 C; 339/13,
339/14, 272; D8/229, 230

[56]

References Cited

U.S. PATENT DOCUMENTS

3,006,981 10/1961 Weber 339/13

FOREIGN PATENT DOCUMENTS

662,829 7/1938 Germany 339/13

Primary Examiner—Wallace R. Burke
Assistant Examiner—Christine M. Nucker
Attorney, Agent, or Firm—Howard C. Miskin

[57]

CLAIM

The ornamental design for a saddle type connector,
substantially as shown and described.

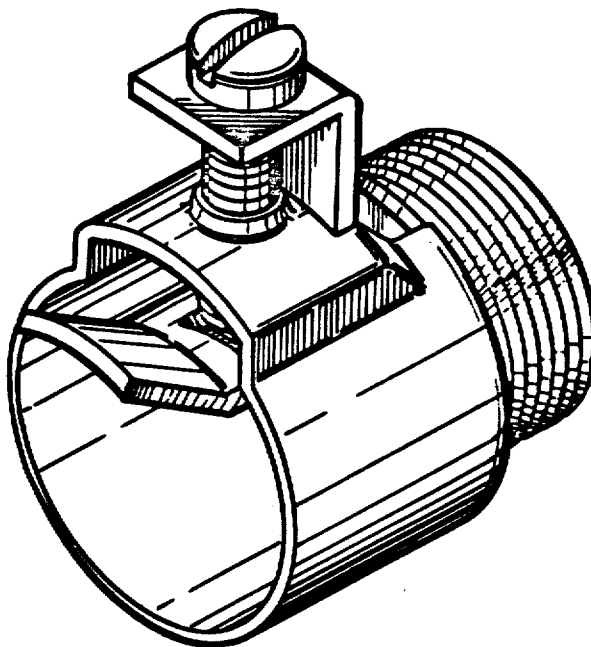
DESCRIPTION

FIG. 1 is a perspective view of a saddle type connector
showing our new design.

FIG. 2 is a front elevational view;

FIG. 3 is a right side elevational view;

FIG. 4 is a top plan view.



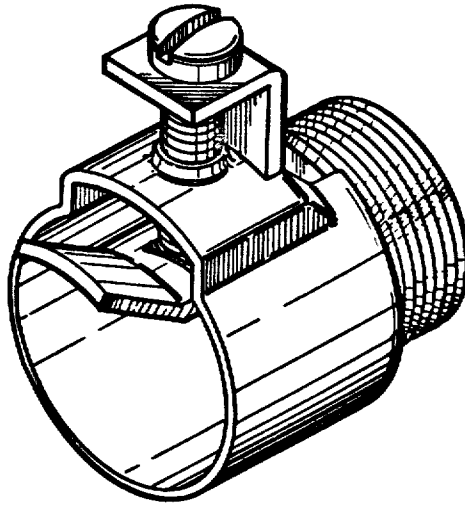


Fig. 1.

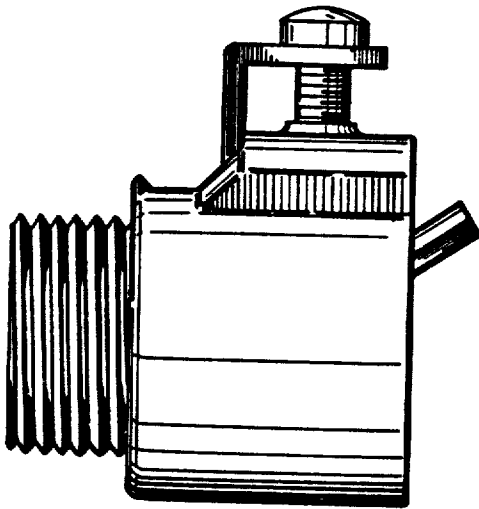


Fig. 2.

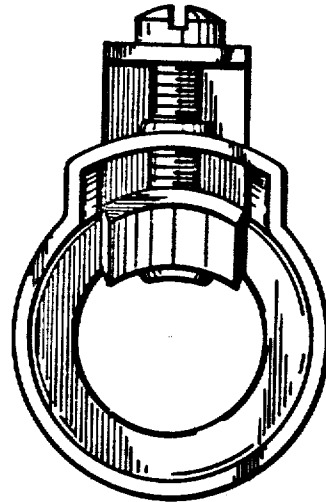


Fig. 3.

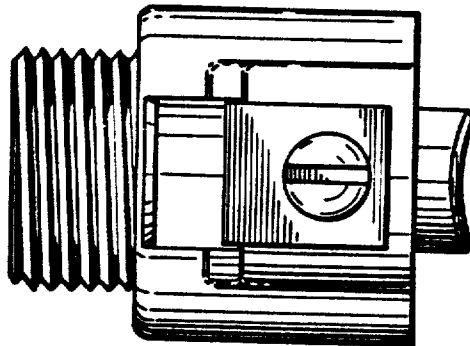


Fig. 4.