

(19) World Intellectual Property Organization
International Bureau



(43) International Publication Date
19 August 2004 (19.08.2004)

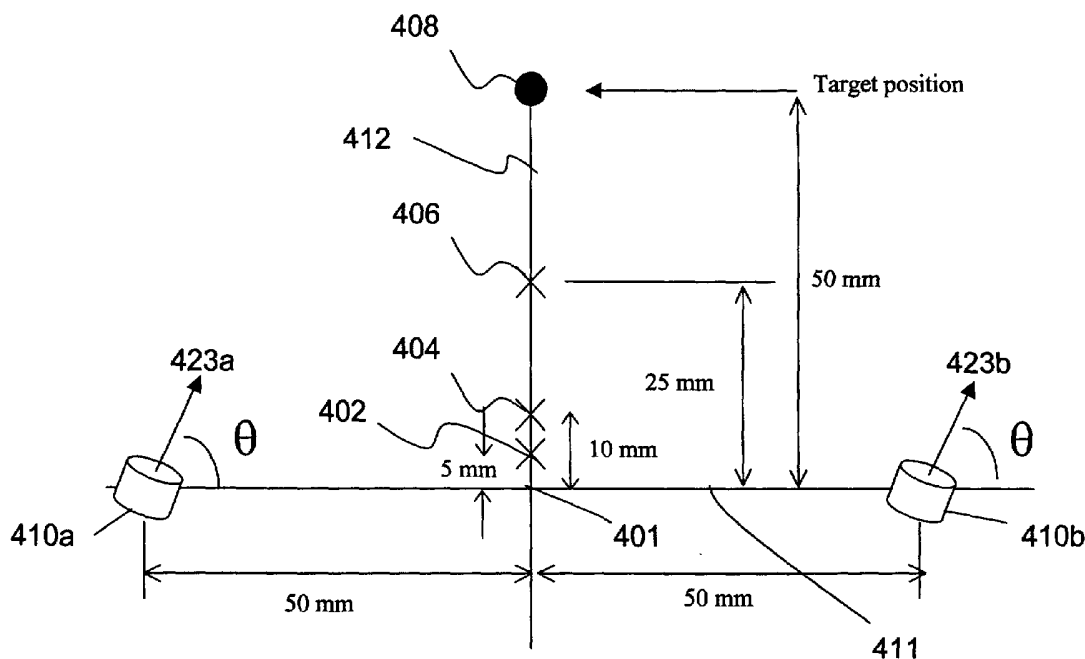
PCT

(10) International Publication Number
WO 2004/070655 A3

- (51) International Patent Classification⁷: G06K 9/00, A61B 5/05
 - (21) International Application Number: PCT/US2004/003070
 - (22) International Filing Date: 4 February 2004 (04.02.2004)
 - (25) Filing Language: English
 - (26) Publication Language: English
 - (30) Priority Data: 60/444,699 4 February 2003 (04.02.2003) US
 - (71) Applicant: VANDERBILT UNIVERSITY [US/US]; Suite 210, 1207 17th Avenue South, Nashville, TN 37212 (US).
 - (72) Inventor; and
 - (75) Inventor/Applicant (for US only): FITZPATRICK, J., Michael [US/US]; 6301 Robin Hill Road, Nashville, TN 37205 (US).
 - (74) Agents: XIA, Tim, T. et al.; Morris, Manning & Martin, 1600 Atlanta Financial Center, 3343 Peachtree Rd., N.E., Atlanta, GA 30326-1044 (US).
 - (81) Designated States (unless otherwise indicated, for every kind of national protection available): AE, AG, AL, AM, AT, AU, AZ, BA, BB, BG, BR, BW, BY, BZ, CA, CH, CN, CO, CR, CU, CZ, DE, DK, DM, DZ, EC, EE, EG, ES, FI, GB, GD, GE, GH, GM, HR, HU, ID, IL, IN, IS, JP, KE, KG, KP, KR, KZ, LC, LK, LR, LS, LT, LU, LV, MA, MD, MG, MK, MN, MW, MX, MZ, NA, NI, NO, NZ, OM, PG, PH, PL, PT, RO, RU, SC, SD, SE, SG, SK, SL, SY, TJ, TM, TN, TR, TT, TZ, UA, UG, US, UZ, VC, VN, YU, ZA, ZM, ZW.
 - (84) Designated States (unless otherwise indicated, for every kind of regional protection available): ARIPO (BW, GH, GM, KE, LS, MW, MZ, SD, SL, SZ, TZ, UG, ZM, ZW), Eurasian (AM, AZ, BY, KG, KZ, MD, RU, TJ, TM), European (AT, BE, BG, CH, CY, CZ, DE, DK, EE, ES, FI, FR, GB, GR, HU, IE, IT, LU, MC, NL, PT, RO, SE, SI, SK, TR), OAPI (BF, BJ, CF, CG, CI, CM, GA, GN, GQ, GW, ML, MR, NE, SN, TD, TG).
- Declaration under Rule 4.17:**
— of inventorship (Rule 4.17(iv)) for US only
- Published:**
— with international search report

[Continued on next page]

(54) Title: APPARATUS AND METHODS OF DETERMINING MARKER ORIENTATION IN FIDUCIAL REGISTRATION



(57) Abstract: A method for determining an orientation of a base (130) to which a fiducial marker (110) is detachably mounted. The method includes the steps of determining the axis of symmetry for the fiducial marker and choosing the determined axis of symmetry of the fiducial marker (110) as the axis of symmetry of the base (130).

WO 2004/070655 A3



— *before the expiration of the time limit for amending the claims and to be republished in the event of receipt of amendments*

For two-letter codes and other abbreviations, refer to the "Guidance Notes on Codes and Abbreviations" appearing at the beginning of each regular issue of the PCT Gazette.

(88) Date of publication of the international search report:
2 December 2004

INTERNATIONAL SEARCH REPORT

International application No.

PCT/US04/03070

A. CLASSIFICATION OF SUBJECT MATTER

IPC(7) : G06K 9/00; A61B 5/05

US CL : 382/131; 600/426

According to International Patent Classification (IPC) or to both national classification and IPC

B. FIELDS SEARCHED

Minimum documentation searched (classification system followed by classification symbols)

U.S. : 382/131; 600/426

Documentation searched other than minimum documentation to the extent that such documents are included in the fields searched

Electronic data base consulted during the international search (name of data base and, where practicable, search terms used)

IEEE

C. DOCUMENTS CONSIDERED TO BE RELEVANT

Category *	Citation of document, with indication, where appropriate, of the relevant passages	Relevant to claim No.
X	US 6,419,680 B1 (COSMAN et al) 16 July 2002 (16.07.2002), column 3, lines 32-54 and figures 1 and 2.	1, 12
A	US 5,094,241 (ALLEN) 10 March 1992 (10.03.1992), column 5, line 15 to column 7, line 57.	1-38
A	US 5,469,847 (ZINREICH et al) 28 November 1995 (28.11.1995), abstract and figure 1.	1, 12
A	US 5,394,457 (LEIBINGER et al) 28 February 1995 (28.02.1995), abstract and figure 2.	1, 12
A	US 2001/0,010,004 A1 (TRAXEL et al) 26 July 2001 (26.07.2001), figure 1.	1

Further documents are listed in the continuation of Box C.

See patent family annex.

* Special categories of cited documents:	
"A" document defining the general state of the art which is not considered to be of particular relevance	"T" later document published after the international filing date or priority date and not in conflict with the application but cited to understand the principle or theory underlying the invention
"E" earlier application or patent published on or after the international filing date	"X" document of particular relevance; the claimed invention cannot be considered novel or cannot be considered to involve an inventive step when the document is taken alone
"L" document which may throw doubts on priority claim(s) or which is cited to establish the publication date of another citation or other special reason (as specified)	"Y" document of particular relevance; the claimed invention cannot be considered to involve an inventive step when the document is combined with one or more other such documents, such combination being obvious to a person skilled in the art
"O" document referring to an oral disclosure, use, exhibition or other means	"&" document member of the same patent family
"P" document published prior to the international filing date but later than the priority date claimed	

Date of the actual completion of the international search

02 September 2004 (02.09.2004)

Date of mailing of the international search report

23 SEP 2004

Name and mailing address of the ISA/US

Mail Stop PCT, Attn: ISA/US
Commissioner for Patents
P.O. Box 1450
Alexandria, Virginia 22313-1450

Facsimile No. (703)305-3230

Authorized officer

Leo H. Boudreau

Telephone No. (703)305-3900

