

(19) World Intellectual Property Organization
International Bureau



(43) International Publication Date
21 August 2003 (21.08.2003)

PCT

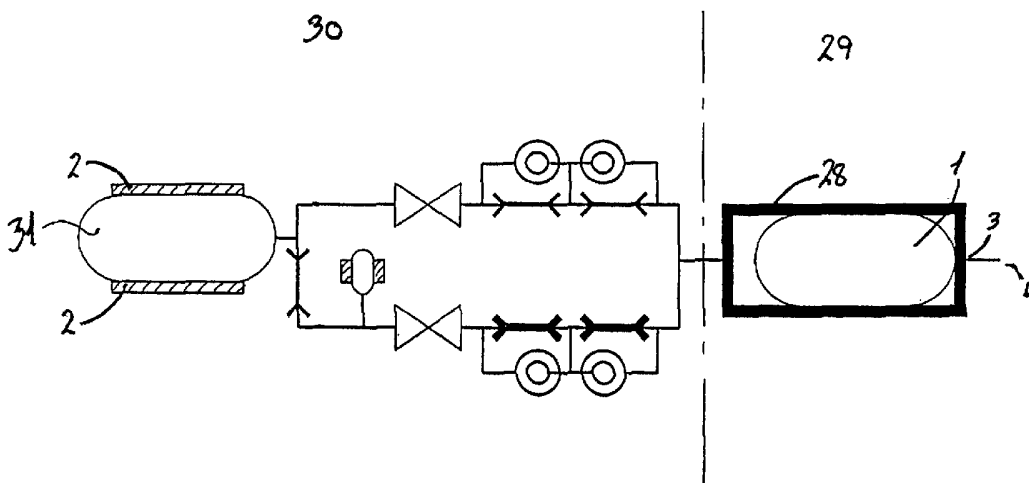
(10) International Publication Number
WO 03/068294 A2

- (51) International Patent Classification⁷: **A61M 5/00**
 - (21) International Application Number: PCT/DK03/00107
 - (22) International Filing Date: 18 February 2003 (18.02.2003)
 - (25) Filing Language: English
 - (26) Publication Language: English
 - (30) Priority Data:

PA 2002 00240	18 February 2002 (18.02.2002)	DK
PA 2002 00970	25 June 2002 (25.06.2002)	DK
 - (71) Applicant (for all designated States except US): **DAN-FOSS A/S** [DK/DK]; Nordborgvej 81, DK-6430 Nordborg (DK).
 - (72) Inventors; and
 - (75) Inventors/Applicants (for US only): **GRAVESEN, Peter** [DK/DK]; Hyldebærvej 6, DK-6430 Nordborg (DK). **RAS-MUSSEN, Per, Brandt** [DK/DK]; Padholm 6, DK-6440 Augustenborg (DK). **DIRAC, Holger** [DK/DK]; Kirsebærlunden 22, DK-3460 Birkerød (DK).
 - (74) Agent: **PLOUGMANN & VINGTOFT a/s**; P.O. Box 831, Sundkrogsgade 9, DK-2100 Copenhagen ø (DK).
 - (81) Designated States (national): AE, AG, AL, AM, AT (utility model), AT, AU, AZ, BA, BB, BG, BR, BY, BZ, CA, CH, CN, CO, CR, CU, CZ (utility model), CZ, DE (utility model), DE, DK (utility model), DK, DM, DZ, EC, EE (utility model), EE, ES, FI (utility model), FI, GB, GD, GE, GH, GM, HR, HU, ID, IL, IN, IS, JP, KE, KG, KP, KR, KZ, LC, LK, LR, LS, LT, LU, LV, MA, MD, MG, MK, MN, MW, MX, MZ, NO, NZ, OM, PH, PL, PT, RO, RU, SC, SD, SE, SG, SK (utility model), SK, SL, TJ, TM, TN, TR, TT, TZ, UA, UG, US, UZ, VC, VN, YU, ZA, ZM, ZW.
 - (84) Designated States (regional): ARIPO patent (GH, GM, KE, LS, MW, MZ, SD, SL, SZ, TZ, UG, ZM, ZW), Eurasian patent (AM, AZ, BY, KG, KZ, MD, RU, TJ, TM), European patent (AT, BE, BG, CH, CY, CZ, DE, DK, EE, ES, FI, FR, GB, GR, HU, IE, IT, LU, MC, NL, PT, SE, SI, SK, TR), OAPI patent (BF, BJ, CF, CG, CI, CM, GA, GN, GQ, GW, ML, MR, NE, SN, TD, TG).
- Published:**
— without international search report and to be republished upon receipt of that report

[Continued on next page]

(54) Title: DEVICE FOR ADMINISTERING OF MEDICATION IN FLUID FORM



(57) Abstract: An infusion device for continuously infusion of medication is disclosed, in which infusion is controlled over two separate fluid communications. The infusion is in each fluid communication controlled by restricting means and valve means, and one of the fluid communications further contains a holding device for bolus rate of infusion for a short period. The device comprises a flow regulating device comprising a passage defined by at least a first element is a primary deformable element adapted to be elastically deformed so as to change the cross sectional area of the passage. Furthermore the device comprises a container for storage and supply of a medication in fluid form, said container comprising a first and a second chamber being arranged relatively to each other so that when volume of the first chamber increases the volume of the second chamber decreases.

WO 03/068294 A2



For two-letter codes and other abbreviations, refer to the "Guidance Notes on Codes and Abbreviations" appearing at the beginning of each regular issue of the PCT Gazette.

DEVICE FOR ADMINISTERING OF MEDICATION IN FLUID FORM

Field of the invention

The present invention relates to a device for administering a medication and more
5 specifically to a safe construction for administering a medication in fluid form and in
particular to a device for administering a medication with a sensitive structure.

Furthermore the present invention relates to valve and in particular to a valve suitable for
administering small doses of a fluid.

10 Background of the invention

Administering systems for continuous administering of a medication in fluid form are
known in the art, and used in hospitals. The purpose for such devices is to give the patient
the freedom of movement, even though he is connected to a device for administering of a
medication e.g. by infusion. The adjustment of the rate of discharge from such devices
15 takes place only by adjusting the dosage by hand, and is done by the personnel at the
hospital as a part of the treatment of the patient.

Administering systems for controlled administering of fluid based medication, outside
hospitals is also known in the art. Such systems may work by moving a piston in controlled
20 steps, leading to infusion in batches. A plurality of pump devices for administering of
insulin to diabetic patient used to day is based on infusion in controlled steps. The
medication is administered into tissue, from which the medication diffuses into the blood.

Description of the invention

25

It may be an object of a preferred embodiment of the present invention to provide a
device for continuous administering of fluid based medication, wherein the administering is
controllable, and where the infusion during any fault situation in the device is unable to
harm the patient.

30

A further object of a preferred embodiment of the present invention may be to provide a
device which may be able to administer medication in two types of doses - a basal dose
and a bolus dose. Furthermore it may be an object of a preferred embodiment of the
present invention to provide a device wherein the flow of medication in the device may be
35 monitored.

According to a first aspect the present invention relates to a device for administering of a
medication in fluid form, said device comprising an outlet means and a storage means for
storage of a fluid, said device further comprising,

- two individual communications each of which being in fluid communication with the storage means and the outlet means,
- each communication comprising at least one flow restricting means,
- 5 - at least one valve means arranged down stream the storage means and upstream at least one flow restricting means, and

wherein at least one of said individual communications comprises a holding means intermediate the storage means and the valve means, said holding means being in fluid
10 communication with said storage means over at least one restriction means.

The fluid of the device may contain a medication or may be any other fluid such as a saline solution. The device may be adapted to restrict the rate at which a medication is administered e.g. discharged through the outlet of the device. The outlet may be
15 connected to a cannula or tube connected to a cannula.

At least a part of the device may be adapted to be positioned in a body of a mammal e.g. a human being, for shorter or longer period. In some embodiments only a cannula is placed in the human body and the rest of the device is placed outside the body. In some
20 embodiments the storage means may be adapted for accommodation in a human body and thus refilling of the storage means may be done by means of a needle inserted through the skin of the human being or mammal.

The medication comprised in the fluid may be insulin or hormones or an anti-inflammatory medication. The two communications may be in individual fluid communication with the storage means and the outlet means. In some embodiments a part of each of the two communications may be provided by the same tube such that said tube branch out into two separate communications. The two communications may branch out and merge in different locations on the individual communications.
30

The restriction means may be provided by small tubes e.g. capillaries adapted to restrict the flow. In an embodiment all restricting means are provided as capillaries. The capillaries may have different internal diameters so as to allow different flow rates. In an embodiment at least one of the capillaries is provided by a piezo electric element adapted
35 to change the internal diameter such that the flow rate of said capillary may be varied. Such a piezo electric element may be annular.

The cross-sectional area of at least one of the capillaries may be between $10 \mu\text{m}^2$ and $50 \mu\text{m}^2$, such as between $15 \mu\text{m}^2$ and $30 \mu\text{m}^2$, such as $20 \mu\text{m}^2$. The length of the capillaries

may be used to design the desired pressure drop over the capillary. Thus the small capillaries of the present invention e.g. the capillary used for the basal dose, may have a length of between 30 mm and 100 mm, such as between 40 mm and 80 mm, such as between 50 mm and 70 mm, such as 66 mm. In order to reduce the physical extend of the capillary the capillary may be U-shaped or define any other shape reducing the physical extend of the capillary.

The length of the larger capillary e.g. the capillary upstream the holding means may be 3-10 times shorter than the aforementioned capillary, such as between 5 and 8 times shorter. The length of the capillary may be adapted to the individual which is to use the device. The size of the capillary may be chosen with regard to data of the person such as size, weight, metabolism, the average size of means eaten be the person etc.

In an embodiment the capillaries may be provided in units of 10 mm such that joining the capillaries in series may provide a desired length. Thus the ends of units may be adapted of attachment to each other. According to the first aspect of the invention the capillaries and the valve means may be provided in a surface of a substrate comprising silicon. Thus the first and/or the second individual communication may be provided in the silicon substrate.

The invention according to the first aspect may comprise one valve. The valve may be arranged in one of the two communications or a valve may be provided in each of the two communications. By providing a valve it may be possible to control the administering of medication even more precisely as the flow in one or both of the individual communications may be shut off and turned on in any desired pattern.

In the present application a restriction means is defined as a means for restricting the flow rate. A restriction means may vary the flow rate and thus be adjustable.

In the present application a valve means is defined as a means which is able to shut off the flow completely. Thus a valve may be set in any position between two opposite positions, the open position and the closed position. I.e. the valve may be set in any intermediate position. A valve may thus be seen as a restriction means which can be shut off.

In the present invention a communication is defined as any path wherein a fluid may flow.

At least one of the in individual communications comprises a holding means. Said holding means may be adapted to store a predetermined amount of medication of fluid such that a

larger dose of medication or fluid may be administered. In some embodiments both the individual communications may comprise separate holding means such that the two communications may be used for administering a larger dose. Thus if the two individual communications comprises different types of medications larger doses of each of the two
5 medications may be administered individually. As an example one of the two communications may be in fluid connection with fluid comprising insulin while the other communication is in fluid communication with a glucose solution. Should an overdose of insulin be administered the holding member of the communication comprising glucose may be used to eliminate the undesired effects to the overdose. The two communications may
10 comprise any dope and anti-dope.

The device may comprise means for pressurising said storage means. Such means may be an elastic member provided around the storage means. In other embodiments the means for pressurising may be provided as electrically actuated actuation means or a pressure
15 compartment adapted to apply a pressure on the storage means.

It may be desirable to be able to monitor the administering of medication. Thus at least one of said restricting means may comprise detection means adapted to supervise the flow in the restricting means. The detection means may be an impeller or any other device for
20 supervising a flow. In an embodiment the detection means may be adapted to detect a pressure difference between a supply-side and a discharge-side of the restriction means.

The supply-side may in some embodiments be seen as directly at the inlet, while in other embodiments the supply-side may be seen as an area in the vicinity of the inlet. In yet
25 other embodiments the supply-side may be seen as anywhere between the inlet and another element in the communication e.g. the first upstream element.

The discharge-side may in some embodiments be seen as directly at the outlet, while in other embodiments the discharge-side may be seen as an area in the vicinity of the outlet.
30 In yet other embodiments the discharge-side may be seen as anywhere between the outlet and another element in the communication e.g. the first downstream element.

In some embodiments only some of the restriction means are provided with a detecting means whereas in other embodiments all restriction means are provided with detection
35 means.

As the flow is monitored it may be possible for a control means to monitor the amount of medication or fluid which is administered.

The detection means may comprise a membrane adapted to move between a first position and a second position, each side of said membrane may be in fluid communication with an inlet and/or an outlet of a restricting means. Thus the position of the membrane may be used as an indicator for the pressure difference between the first and the second position.

5

In some embodiments at least one of the detection means may be arranged such that the pressure difference over two restriction means and/or valves may be determined. In other embodiments each detecting means may be in fluid communication with a supply-side and a discharge-side of one of the restricting means, such that the pressure difference over
10 one restriction means is determined.

It may be desirable that the fluids on each side of the membrane are not in fluid connection. Thus the membrane may define a seal between a supply-side-chamber and a discharge-side-chamber. The supply-side-chamber and/or the discharge-side-chamber
15 may be part of the detection means. In some embodiments the discharge-side-chamber of a first detection means may be a supply-side-chamber of a second detection means or vice versa. In order to determine the pressure difference between the two chambers, the membrane may comprise an elastic material. Such a material may comprise a natural rubber material and/or a synthetic rubber material.

20

As the medication to be administered may have a molecule structure which is so fragile that it may not be passed through the restriction means the device may comprise a separate container for storage and supply of a medication in fluid form. Said container may comprise a fluid chamber and a medication chamber being arranged relatively to each
25 other so that when volume of the fluid chamber increases the volume of the medication chamber decreases. The container may comprise any feature or element of the second aspect of the present application.

The container may be arranged downstream at least one restriction means and upstream
30 the outlet means. In one embodiment the container may be arranged downstream all the restriction means and upstream the outlet means. In the latter embodiment the fluid chamber may be in fluid communication with any restriction means and outlet means may be in communication with the medication chamber.

35 An advantage of the above mentioned container may be seen as eliminating any passing of the medication through a restriction means. Thus any other fluid e.g. a saline solution may be used to pressurise the medication chamber of the container.

In one embodiment the two individual communications may define a first and a second communication and wherein the first communication may be adapted for administering of a basal rate medication and the second communication may be adapted for administering of a bolus rate of medication. As the second communication is adapted for dosing of a bolus rate of medication it may comprise the holding means. Thus while the valve is closed the holding means may be filled up and as a restriction means may be provided upstream the holding means the filling rate may be low. When the valve is opened and the holding means is emptied the bolus rate of medication may be administered.

10 The holding means may comprise a chargeable accumulator adapted to be charged with fluid.

At least one of the aforementioned valve means may comprise:

15 - a passage defined by at least a first element and a second element,

wherein at least one of the first and second element is adapted to be elastically deformed so as to change the cross sectional area of the passage. In some embodiments all the valves of the device are made according to the above-mentioned description. Said valves
20 may comprise any feature or element of the third aspect of the present invention.

In an embodiment of the first aspect of the present application the device may further comprise control means adapted to control the administering of medication. Such a control means may comprise a first computer system, the computer system comprising input
25 means for collecting data in a first format, processing means for processing the data, output means for presenting data in a second format, and data storage means having stored therein a computer program.

The computer system may comprise an operating system. The data collected in the first
30 format may be data from the detection means indication whether or not the flow in the system is according to the specification. The data in the first format may be information e.g. provided by the user, about administering of the bolus rate and/or the basal rate.

The data in the second format may be an alarm signal indicating that one of the restriction
35 means and/or one of the valves is out of order. The data in the second format may be control information used to control the valve and/or the holding means. Accordingly in some embodiments the control means may be adapted to control the storage means and/or the holding means and/or at least one valve of the device for administration.

The control means may be operable by means of a separate control unit in wired and/or wireless connection with the device.

The computer program may be adapted to perform the steps of:

- 5 - a opening of the valve means in the second communication
- applying a pressure on the holding means so as to administer the bolus rate
- closing the valve means in the second communication.

Furthermore the computer program may be adapted to remove the pressure on the
10 holding means, so as to allow said means to be filled with a new bolus rate.

According to the first aspect of the invention medication may be infused at a rate controlled by one of the two communications, and the holding means may give the possibility of infusing a bolus rate of medication for a short period. The continuously rate of
15 infusion the device is able to discharge, in case of all control are lost, is balanced to the patient, whereby the worst case fault situation is unable to harm the patient.

The restricting means of the infusion device may be supplied with detection means, supervising the infusion of medication. Hereby may be achieved that the control system
20 receives information to evaluate the infusion situation, and hereby may be able to detect an infusion failure.

In a specific embodiment of the invention, a membrane may form the detection means, where each side of the membrane may be in fluid communication with each side of the
25 restricting means. Hereby may be achieved that the direction of the deflection of said membrane may indicate the direction of pressure over said restricting means.

In another specific embodiment of the invention, separate pressure detectors may form detection means, each may be in pressure communication with supply side or discharge
30 side of one of said restriction means. Hereby is achieved that the pressure detection can take place locally in the infusion communication pad, without any additional fluid communications being needed.

A membrane on the detecting means may seal a closed area comprising liquid, and an
35 elastic element may give the membrane and the liquid the possibility of moving in accordance with a pressure rise on the side of the membrane facing away from said liquid, and the movement of liquid may be detectable. Hereby may be achieved that the medication may be kept inside the infusion communication, and only the pressure may be transported, via the membrane, to the liquid. This gives access to different ways for

detecting the movement of the liquid, as no considerations regarding the impact from the medications itself has to be taken, besides from the choose of membrane material.

In a further specific embodiment, capillaries may form the restricting means in the infusion
5 device. Hereby may be achieved that the rate of infusion may be well defined in relation to the pressure acting on each side of a restricting means.

The infusion device may contain storage means for medication, this storage means for medication may be pressurised by fluid from a separate part of the infusion device,
10 whereby the rate at which medication discharge through the outlet means may depend on the rate at which fluid pressurise the storage means for medication. Hereby may be achieved that the medication may be infused directly from the storage compartment to the outlet of the infusion device, without passing any valves and restricting means. For sensitive medications this could be of advantage.

15

In a specific embodiment of the invention, one of the two individual communications may restrict the rate at which medication from one storage means for medication discharges, and the other of the two individual communications may restrict the rate at which medication from another storage means for medication discharge. Hereby may be achieved
20 that medication of different strength or different response time may be discharged from the device.

It may be seen as an advantage that the two individual communications may form a first communication for basal rate of infusion of medication and a second communication for
25 bolus rate of infusion of medication, and where the holding means may be contained in the second communication. The medication may hereby able to infuse at controlled rates, depending on the actually and present need.

In an embodiment the first aspect of the present invention may relate to a device for
30 infusion of medication, said device containing:

- storage means for storage of fluid,
 - outlet means for infusion of medication,
 - means for pressurising said storage means,
 - means for restricting the rate at which medication discharge through said outlet
35 means,
 - valve means disposed intermediate said storage means and said restricting means,
- wherein two individual communications expose separate means for restricting the rate at which medication discharge through said outlet means, and in that one of said individual communications contains holding means intermediate said storage means and said valve

means, said holding means being in fluid communication with said storage means over separate restriction means.

Said restricting means may be supplied with detection means, whereby infusion of
5 medication is supervised.

Said detection means may be formed by a membrane, each side of said membrane being in fluid communication with each side of said restricting means, whereby the direction of the deflection of said membrane will indicate the direction of pressure over said restricting
10 means.

The separate pressure detectors may form said detection means, each in pressure communication with supply side or discharge side of one of said restriction means.

15 A membrane may seal a closed area containing liquid, and that an elastic element may give said membrane and said liquid the possibility of moving in accordance with a pressure rise on the side of the membrane facing away from said liquid, said moving of liquid being detectable.

20 Said restricting means may be formed by capillaries.

Said fluid in said storage means may be the medication.

The device may contain storage means for medication, said storage means for medication
25 being pressurised by fluid from said storage means for fluid, whereby the rate at which medication discharge through said outlet means may depend on the rate at which fluid pressurise said storage means for medication.

One of said two individual communication may restrict the rate at which medication from
30 one storage means for medication discharges, and the other of said two individual communication may restrict the rate at which medication from another storage means for medication discharge.

Said two individual communications may form a first communication for basal rate of
35 infusion of medication and a second communication for bolus rate of infusion of medication, and where said holding means may be contained in said second communication.

Said holding means may form a chargeable accumulator, charge with fluid from said storage means over said separate restriction means, while said valve means in second communication is closed.

- 5 An opening of said valve means in said second communication may allow said holding means to perform said bolus rate of infusion of medication, while said holding means depressurise through said valve means in second communication, where after the rate of infusion of medication in said second communication may drop to a lower level controlled by said separate restriction means.

10

Said valve means may be formed by an elastomer material, which under actuation from an actuator will deform into a part of said communication, whereby flow of fluid may be prevented.

- 15 The invention according the first aspect of the invention may comprise any feature or element of the second and/or third aspect of the invention.

According to a second aspect the present invention relates to a flow regulating device comprising:

20

- a passage defined by at least a first element and a second element,

wherein at least one of the first and second element is a primary deformable element adapted to be elastically deformed so as to change the cross sectional area of the passage.

25

- In some embodiments the first element is a primary deformable element, while in others the second element is a primary deformable element. Yet in other embodiments both the first and the second elements are primary deformable elements. In the latter case a half circle may be defined in both the elements such that the two half circles together define a
- 30 circle. When the two elements are deformed the cross-sectional area of the circle may be deformed.

- The primary deformable elements may be adapted to be changed between two positions a first position wherein the cross-sectional area is as big as possible and a second position
- 35 wherein the cross-sectional area is as small as possible e.g. close to zero.

In an embodiment at least a part of the primary deformable element in the first position encircles at least a part of the passage.

When force is applied to the deformable element, the element may change from the first position to the second position or any intermediate position. Thus the force applied to the deformable element may be used to control the cross-sectional area of the passage.

- 5 In some embodiments a force in the direction of the centre of the passage may be applied in order to change the cross-sectional area of said passage. In other embodiments forces may be applied on two sides of the primary deformable element. A force zone may then be defined between the forces and in some embodiments the passage may not be defined in the force zone. Thus the primary deformable element may be deformed in a first direction
10 when a force is applied in a second direction, the first direction being transverse to the second direction.

A secondary deformable element may encircle the primary deformable element. The secondary deformable element may be harder than the primary deformable element. Thus
15 the secondary deformable element may be adapted to work as an outer wall of the primary element. The secondary deformable element may in some embodiments be hard enough to retain its shape without any support from other elements. In other embodiments the secondary deformable element may not be hard enough to retain its shape without any support and therefore a supporting element may be provided around the second
20 deformable element. The softer the primary element is the easier it may be for the element to block the passage. In some embodiments the primary deformable element may be an oil or water or air. In some embodiments the primary and/or the secondary element may comprise an elastomer e.g. silicone. When choosing the elastomer it is essential that the elastomer and the medication may work together without damaging each other.

25

A membrane may be provided between the first and the second element. Such a membrane may be adapted to provide a seal such that the primary element and/or the secondary element may not come in contact with the content of the passage e.g. a medication on fluid form. Thus the membrane may provide a seal between the first and the
30 second element. The membrane may comprise a natural rubber material and/or a synthetic rubber material.

The area of the passage may be between $0,1 \text{ mm}^2$ and 1 mm^2 , such as between $0,2 \text{ mm}^2$ and $0,7 \text{ mm}^2$, such as between $0,25 \text{ mm}^2$ and $0,5 \text{ mm}^2$. It may be desirable to choose a
35 cross-sectional area at any place of the individual communications, which is as small as possible as the total volume in the two individual communications may then be limited. The smaller the total volume of the individual communications is the easier it may be to control the system. On the other hand the cross-sectional areas may not be so small that

the resistance in the system is too big. Only in the restriction means the resistance may be desired to be small.

According to the second aspect of the invention a device may be provided in which a valve
5 means may be formed by an elastomer material, which under actuation from an actuator may deform into a part of said communication, whereby flow of fluid may be prevented.

The invention according to the second aspect of the present invention may comprise any feature or element of the first and/or third aspect of the invention.

10

According to a third aspect the present invention relates to a container for storage and supply of a medication in fluid form, said container comprising a first and a second chamber being arranged relatively to each other so that when volume of the first chamber increases the volume of the second chamber decreases.

15

In an embodiment the first chamber and the second chamber are interconnected by a hydraulic system e.g. comprising a saline solution. Thus the hydraulic liquid may be used to change the volumes of the two chambers e.g. by moving pistons in each chamber.

20 Furthermore at least a part of a sidewall separating the first and second chamber may be movable. Thus in one embodiment only one wall separates the first and the second chamber and said wall may work as a piston.

In other embodiments at least a part of a sidewall separating the first and second chamber
25 may be flexible. Thus a bag-like element defining the secondary chamber may be provided in a large chamber. The part of the large chamber, which is not filled with the bag-like element, may define the primary chamber. When the primary chamber is filled with a fluid the secondary chamber in the bag-like element collapses and fluid in the bag may be administered. In some embodiments the bag-like element defines the primary chamber
30 and the rest of the large chamber defines the secondary element.

The first chamber may be a fluid chamber adapted for storage of a fluid e.g. a saline solution and the second chamber may be a medication chamber for storage of medication. The saline solution may be an isotonic solution which does not change the balance of salts
35 on the blood.

In general it may be seen as an advantage to choose elements and fluids which does not damage each other and which may be inserted or administered in the human body.

The third aspect of the present invention may comprise any feature or element of the first and/or second aspect of the present invention.

Detailed description of the invention

5 An embodiment of the invention will now be described in details with reference to the drawing in which:

- Fig. 1 shows a device according to the first aspect of the invention,
Fig. 2 shows a device for administering of medication comprising flow detectors,
10 Fig. 3 shows a flow a flow detector according to the first aspect of the invention,
Fig. 4 shows a principal embodiment of the invention, where the medication itself is contained separate from the infusion control system,
Figs. 5 and 6 show a flow regulating device according to the second aspect of the invention,
15 Fig. 6 shows a detailed view of an embodiment of a valve for the infusion control system, shown in closed position,
Fig. 7 shows an embodiment wherein medication is discharged from two separate compartments,
Fig. 8 shows a embodiment of a pressure detection means, and
20 Fig. 9 A principal view of a flow detector, showing different possible detecting results in picture A-E.

Best mode of carrying out the invention

25 In fig. 1 is shown an infusion device for administering of medication in fluid form, e.g. infusion of insulin to a diabetic patient. The device comprises a storage compartment 1, in which the medication is contained. The storage compartment 1 is made as a sealed bag with an outlet 3, through which medication can be discharged from the bag simply by adding a force external to the sides of the bag.

30

The compartment 1 is surrounded by an elastomer pressure jacket 2, which will apply a nearly constant force to the compartment, until being empty of medication. The pressure of the medication at the outlet 3 is hereby held constant, until the compartment 1 is emptied for medication. The outlet 3 is in connection with an outlet 4 from the device,
35 from where the medication is administered e.g. infused.

The outlet 4 is in fluid communication with the compartment 1 over two individual communications 5 and 6, each having a valve 7 and 8 and a capillary 9 and 10. The capillary 9 has a small diameter, which will correspond to a low rate of discharge of

medication, referred to as the basal rate. For diabetic patients this corresponds to the low rate of insulin discharge, which will balance the glucose level under normal conditions between meals. Adjustment of rate of discharge through capillary 9 can take place by adjustment of the valve 7. In some embodiments the valve 7 may be controlled between a fully open and a fully closed position, like a pulse modulation with adjustable duty rate in a fixed duty cycle. A high duty rate will then correspond to a high rate of discharge, however still within the basal rate.

The capillary 10 in communication 6 has a diameter larger than the diameter of the capillary 9. Thus the capillary 10 is able to discharge medication at a rate referred to as the bolus rate. For diabetic patients this corresponds to the high rate of insulin discharge, which will balance the glucose level during and right after meals. Adjustment of rate of discharge through capillary 10 can take place by adjustment of the valve 8. In some embodiments the valve 8 may be controlled between a fully open and a fully closed position, like a pulse modulation with adjustable duty rate in a fixed duty cycle. A high duty rate will then correspond to a high rate of discharge, and a low duty rate to a low rate of discharge, however still within the bolus rate.

In case of a valve failure of valve 7, causing the valve to jam in open position, the control of the basal rate will be lost. This may, related to infusion of insulin, cause a slightly over dosing of insulin between the meals, but will have no harmful effect on the diabetic patient. If the failure however was on valve 8, still jam in open position, the bolus rate of discharge will have a deadly effect on the diabetic patient.

In order to prevent the bolus rate of discharge to be uncontrolled, the communication 6 comprises a separate capillary 11, which will restrict the rate of discharge from compartment 1 through communication 6 to outlet 4, in case the valve 8 is jam in open position. The effect of the valve 8 being jam in open position will now be an uncontrolled bolus rate of discharge, but restricted to a low value. The capillary 11 may restrict the rate of discharge to a value correspond to the normal bolus infusion over a day, if this was to be infused continuously.

Under normal operation of the communication 6, valve 8 will be closed for a long period between the meals. In this period medication discharge from compartment 1, through capillary 11 to compartment 12, which is a small sealed bag in fluid communication with compartment 1, and with an elastomer pressure jacket 13, surrounding the compartment 12. This compartment 12 with pressure jacket 13 is referred to as a holding device, and works as an accumulator in hydraulic systems. The pressure in compartment 1 and compartment 12 will equalise during the close period for valve 8, and as valve 8 is opened

the bolus rate of discharge will be high, as only capillary 10 restricts the rate of discharge from compartment 12 to outlet 4 in fig. 1.

A valve failure will have an uncontrolled rate of discharge as result, but the rate of
5 discharge will be restricted to a normal level of infusion over a day. The patient might feel a slightly uncomfortably, but will in no way be harmed by the valve failure.

The device of fig. 1 is a wet disposable device, containing the medication in fluid form (e.g. insulin), the tubing, the capillaries, the valves and the holding device. The wet disposable
10 device may contain other needed elements of the infusion device, such as actuating means for the valves and the elastomer pressure jackets. As the wet device is disposable, all elements, which are not in direct contact with the medication, could be contained in a control device, and the control device and the wet device could connected in a way that makes reuse of the control device possible. As only the wet device is part of this invention,
15 the control device shall not be further described.

In fig. 2 is shown a infusion device similar to the device of fig. 1. In fig. 2 each of the capillaries 9 and 10 are divided into two series connected capillaries, 9a, 9b and 10a, 10b respectively. Except from 9a, 9b, 10a and 10b all reference numbers from fig. 1 apply to
20 to fig. 2. The two series connected capillaries, 9a, 9b and 10a, 10b, of fig. 2 are each supplied with a detection device 14 and 15. The detection devices 14 and 15 are identical, and only detection device 14 is to be explained in details.

Flow of medication over capillary 9a will have a pressure drop as consequence, and this
25 pressure drop is detected between connection 16 and 17. Pressure drop over capillary 9b is detected between connection 17 and 18. The connection 16 is in fluid communication with compartment 19 in the detector device 14, see fig. 3, the connection 17 with compartment 20 and the connection 18 with compartment 21. The compartments 19-21 are formed by lamination of to parts 22 and 23, with deflectable membranes 24 and 25
30 between. The structure of the surface of each of the two parts is, on the side facing the membranes 24 and 25, such that the compartments 19-21 will be formed as the lamination has taken place.

Each membrane 24 and 25 is able to deflect upwards, indicated as position 26, or
35 downwards, indicated as position 27. Detection means is able to detect between even position, upward position and downward position, and able to detect on each membrane separately. This detection means could simply be an optical detector, which sees the direction of a deflection. A normal infusion will have a pressure drop between compartment 19 and 20, and between compartment 20 and 21, as result. Normal infusion will therefore

be detected as an upward deflection of membrane 24 and a downward deflection of membrane 25.

The table below indicates all possible detections results, and the situation leading to the
5 result.

Membrane 24	Membrane 25	Situation
Even	Even	No flow
Upward	Even	9a blocked
Downward	Even	Error
Even	Upward	Back pressure
Upward	Upward	Leak
Downward	Upward	Back flow
Even	Downward	9b blocked
Upward	Downward	Normal flow
Downward	Downward	Error

As it may be seen from the above table the application of two capillaries and corresponding means for detecting pressure differences over said capillaries provides the advantage that
10 blockage of each of the communication may be detected. If only one capillary with corresponding pressure detecting means is provided, blocking of the capillary may be detected as a normal functioning capillary. This is due to the fact that a pressure difference is present over a blocked capillary.

15 The communications 5 and 6 of figs. 1 and 2 consists of fluid channels, by which the storage compartment communicates with capillaries and valves. The valves 7 and 8 have the purpose of blocking one such fluid channel, which is shown at figs. 5 and 6. The valves, which are provided according to the second aspect of the present invention, are used in embodiments according to the first aspect of the invention.

20

The valve 32 of fig. 5 is formed as a block, which is placed over a fluid channel 33, made by removing of material from a solid block 34 or by mounding a block 34 with the channel 33. This solid block 34 is the infusion manifold of the infusion device of figs. 1 or 2. Between the solid block 34 and the valve block 32 is provided a membrane, which is able
25 to deflect into the fluid channel 33. This deflection is indicated at fig. 6.

The valve block 32 is held against the solid block 34 by a force 36, which is acting on a solid material part 37. The valve member 38 is formed by a soft elastomer, contained within a case of a hard but deformable elastomer 39. The hard elastomer 39 is held in

shape by a solid ring member 40 at the lower end, and by a moveable ring member 41 at the upper end. As a force 42 is applied to the ring member 41, the hard elastomer 39 is deformed, and the soft elastomer 38 is pressed towards the membrane 35 and into the fluid channel 33. Fluid passage is hereby prevented, as the valve member is closed.

5

In fig. 7 an infusion device like that of fig. 2 is shown, but with the medication contained in two compartments, 1a and 1b. Each of the two compartments 1a and 1b are supplied with an elastomer pressure jacket 2a and 2 b, and have a separate outlet 3a and 3b. The medication discharged from outlet 4 through communication 5 can hereby be different
10 from the medication discharged from outlet 4 through communication 6. For diabetic patient, the basal rate of infusion could be with one type of insulin, and the bolus rate of infusion could be with a more power full or with a faster acting type of insulin, whereby a detected drop in the glucose level for the patient quickly could be compensated with infusion of a bolus rate.

15

In figs. 1, 2 and 7 an infusion device where the medication itself is forced through capillaries, valves and pressure variations has been shown. Some medications consist of molecules with a very sensitive structure, i.e. insulin. Those medications may be too sensitive to cope with the influences from the infusion device of figs. 1 and 2. In fig. 4
20 however, an infusion device, having a storage compartment 1 for medication, and being in connection with an outlet 4 from the device, is shown. The storage compartment 1 is made as a sealed bag with an outlet 3, where the medication can be discharged from the bag simply by adding an external force to the bag. This external force is applied by pressurising the container 28.

25

Controlling the pressure in the container 28 controls the rate of infusion of medication from compartment 1, and medication is therefore only contained in a small part of the infusion device, this part being indicated as position 29. Position 30 indicates the part of the infusion device for pressurising the container 28, and is the device shown in fig. 2. The
30 fluid in compartment 31 is not a medication, but a suitable fluid for pressurising the container 28 e.g. a saline solution. Apart from that, the function of device part 30 is similar to that of fig. 2, and shall therefore not be described further.

Fig. 8 shows an alternative pressure detecting device 43 to that of fig. 3. A membrane 44
35 seals a pipe-shaped element 48, whereby a closed compartment inside the pipe-shaped element exists. One part 45 of the closed compartment is filled with a liquid, and another part 47 is filled with air. A plunger element 46 seals the air-part 47 from the liquid part 45, and pressure acting on the membrane 44 will thus move the plunger element 46, until a force equilibrium between membrane 44 and air-part 47 arises. Detecting the movement

of the plunger element 46 will therefore correspond to detecting the pressure acting on the membrane.

The air-part 47 could be formed by a sealed bellow, whereby leaking of air into the liquid-part 45 is prevented. It could also be formed simply by a spring element, whereby only leaking of liquid into the spring-part 47 is to be prevented. Of importance is only that liquid-part 45 is movable within certain limitations.

The plunger element could be a second liquid, with different colour than and not miscible with the liquid-part 45. Hereby is the interface between the two liquids detectable, and will move due to pressure variations on the membrane 44. A sealing element between liquid-part 45 and air-part 47 will however still be needed, as totally filling of the pipe-shaped element 48 with liquid will make moving of the interface impossible.

Fig. 9 indicates in picture A to E different detections results by use of the pressure detection device of fig. 8. The infusion communication 5, with the restricting element 9a and 9b, is supplied with a total of three pressure detectors 43, indicated as detector 49, 50 and 51. The detections results will hereby be:

Picture	Detector 49	Detector 50	Detector 51	Situation
A	Centred	Centred	Left	No flow
B	Right	Centred	Left	9a blocked
C	Right	Right	Left	9b blocked
D	Right	Right	Right	Back pressure
E	Right	Right	Centred	Normal flow.

CLAIMS

1. Device for administering of a medication in fluid form, said device comprising an outlet means and a storage means for storage of a fluid, said device further comprising,
5
- two individual communications each of which being in fluid communication with the storage means and the outlet means,
 - each communication comprising at least one flow restricting means,
 - at least one valve means arranged down stream the storage means and upstream at
10 least one flow restricting means, and
- wherein at least one of said individual communications comprises a holding means intermediate the storage means and the valve means, said holding means being in fluid communication with said storage means over at least one restriction means.
15
2. A device according to claim 1, wherein each of the two individual communications comprises at least one valve means.
3. A device according to claim 1 or 2, further comprising means for pressurising said
20 storage means.
4. A device according to any of claims 1-3, wherein at least one of said restricting means comprises detection means adapted to supervise the flow in the restricting means.
- 25 5. A device according to claim 4, wherein the detection means is adapted to detect a pressure difference between a supply-side and an discharge-side of the restriction means.
6. A device according to claim 5, wherein said detection means comprises a membrane adapted to move between a first position and a second position, each side of said
30 membrane being in fluid communication with an inlet and/or an outlet of a restricting means.
7. A device according to claim 5 or 6, wherein each detecting means is in fluid communication with a supply-side and a discharge-side of one of the restricting means.
35
8. A device according to any of claims 5-7, wherein the membrane defines a seal between a supply-side-chamber and a discharge-side-chamber.

9. A device according to any of claims 5-8, wherein the membrane comprises an elastic material.
10. A device according to any of the preceding claims, where at least one of the restricting means defines a capillary.
11. A device according to any of the preceding claims, wherein the fluid comprises a medication.
12. A device according to any of the preceding claims, further comprising a container for storage and supply of a medication in fluid form, said container comprising a fluid chamber and a medication chamber being arranged relatively to each other so that when volume of the fluid chamber increases the volume of the medication chamber decreases.
13. A device according to claim 12, wherein the container is arranged downstream at least one restriction means and upstream the outlet means.
14. A device according to any of the preceding claims, wherein said two individual communications defines a first and a second communication and wherein the first communication is adapted for administering of a basal rate medication and the second communication is adapted for administering of a bolus rate of medication.
15. A device according to claim 14, wherein the second communication comprises the holding means.
16. A device according to any of the preceding claims, wherein said holding means comprises a chargeable accumulator adapted to be charged with fluid.
17. A device according to any of the preceding claims, wherein at least one of the valve means comprises:
- a passage defined by at least a first element and a second element,
- wherein at least one of the first and second element is adapted to be elastically deformed so as to change the cross sectional area of the passage.
18. A device according to any of the preceding claims, further comprising control means adapted to control the administering of medication.

19. A device according to claim 18, wherein the control means comprises

- a first computer system with an operating system, the computer system comprising input means for collecting data in a first format, processing means for processing the data, output means for presenting data in a second format, and data storage means

5 having stored therein a computer program.

20. A device according to claim 18 or 19, wherein the control means is adapted to control the storage means and/or the holding means and/or at least one valve of the device for administration.

10

21. A device according to any of claims 18-20, wherein the control means is operable by means of a separate control unit.

22. A device according to claim 21, wherein the control unit and the control means are

15 adapted for wireless communication.

23. A device according to any of claims 18-22, wherein the computer program adapted to perform the steps of:

- a opening of the valve means in the second communication
- 20 - applying a pressure on the holding means so as to administer the bolus rate
- closing the valve means in the second communication.

24. A flow regulating device comprising:

- 25 - a passage defined by at least a first element and a second element,

wherein at least one of the first and second element is a primary deformable element adapted to be elastically deformed so as to change the cross sectional area of the passage.

30 25. A flow regulating device according to claim 24, wherein at least a part of the primary deformable element in a first position encircles at least a part of the passage.

26. A device according to claim 24 or 25, wherein the primary deformable element is deformed when a force is applied to a side of said element.

35

27. A device according to any of claims 24-26, wherein the primary deformable element is deformed in a first direction when a force is applied in a second direction, the first direction being transverse to the second direction.

28. A device according to any of claims 24-27, wherein a secondary deformable element encircles the primary deformable element.

29. A device according to any of claims 24-28, wherein the secondary deformable element
5 is harder than the primary deformable element.

30. A device according to any of claims 24-29, wherein the primary deformable element and/or the secondary comprises an elastomer.

10 31. A device according to any of claims 24-30, further comprising a membrane provided between the first and the second element.

32. A device according to any of claims 24-31, wherein the area of the passage is between
0,1 mm² and 1 mm².

15

33. A container for storage and supply of a medication in fluid form, said container comprising a first and a second chamber being arranged relatively to each other so that when volume of the first chamber increases the volume of the second chamber decreases.

20 34. A container according to claim 33, wherein at least a part of a sidewall separating the first and second chamber is movable.

35. A container according to claim 33 or 34, wherein at least a part of a sidewall separating the first and second chamber is flexible.

25

36. A container according to any of the preceding claims, wherein the first chamber is a fluid chamber adapted for storage of a fluid and the second chamber is a medication chamber for storage of medication.

1/5

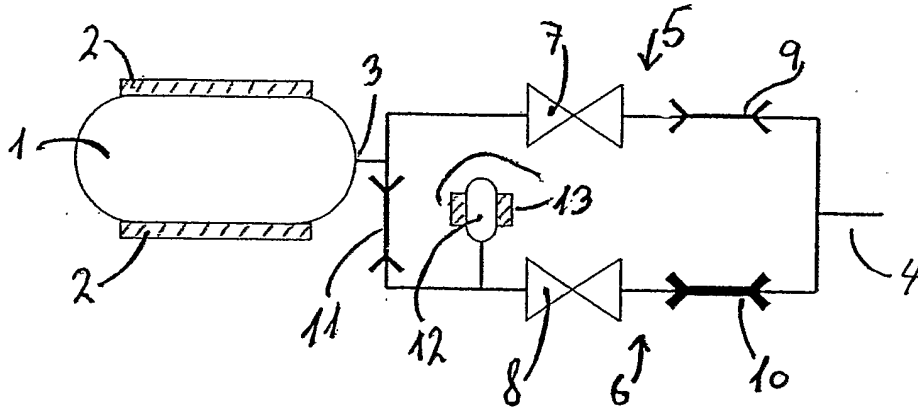


Fig. 1

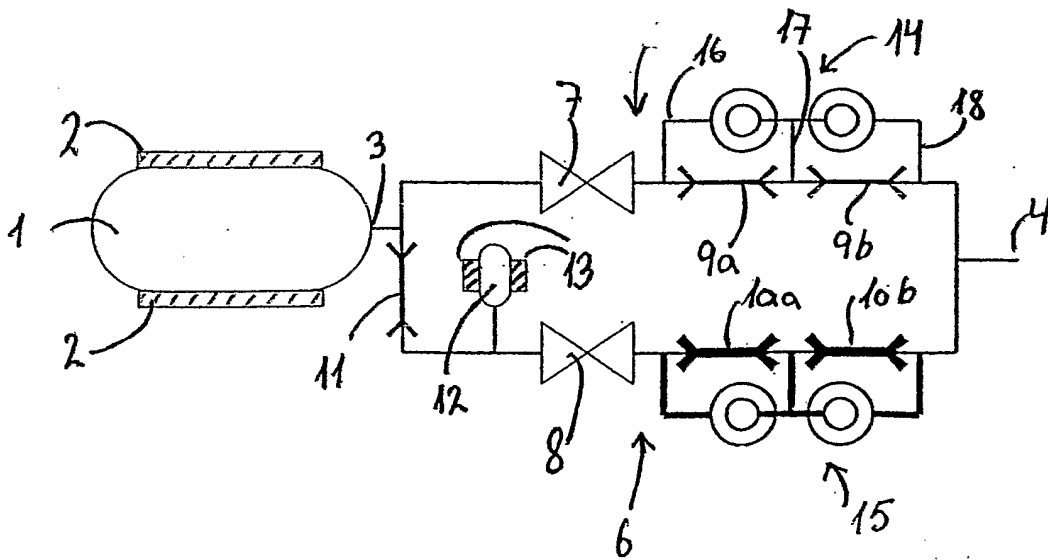


Fig. 2

2/5

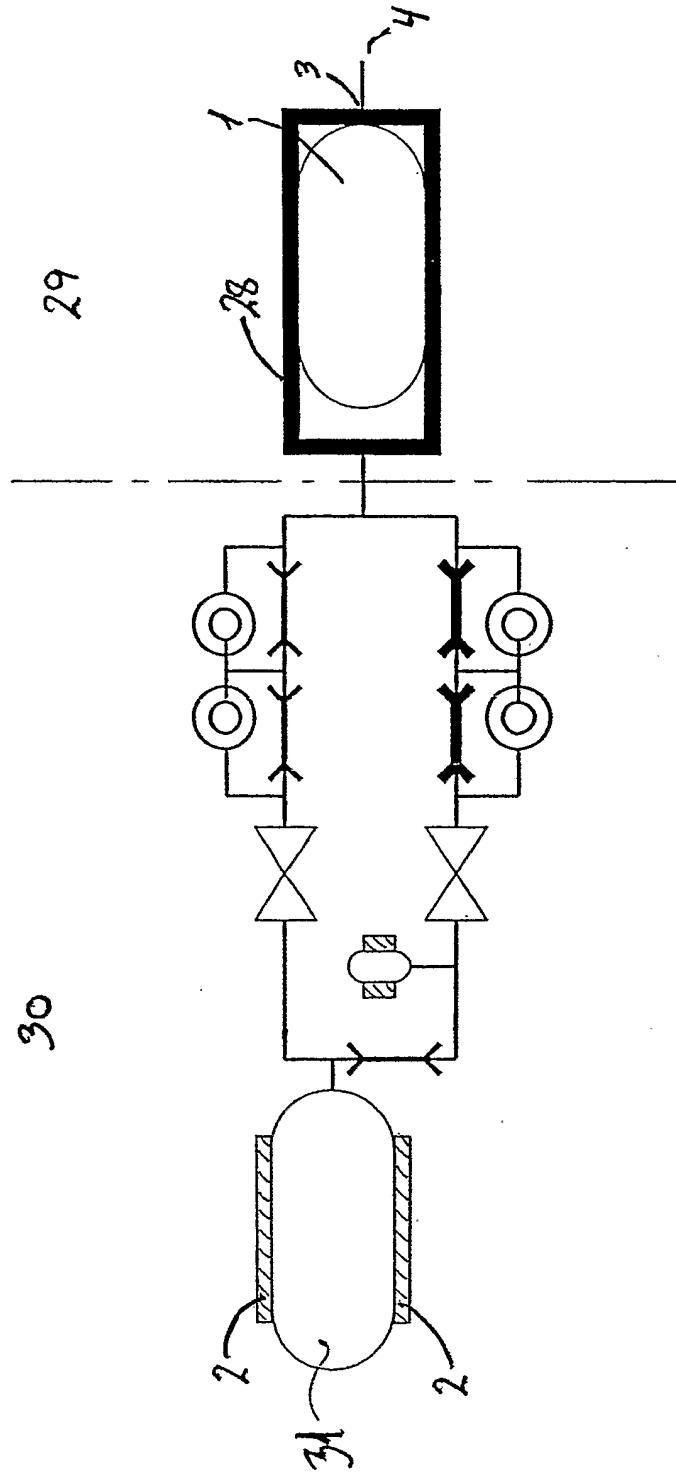


Fig. 4

3/5

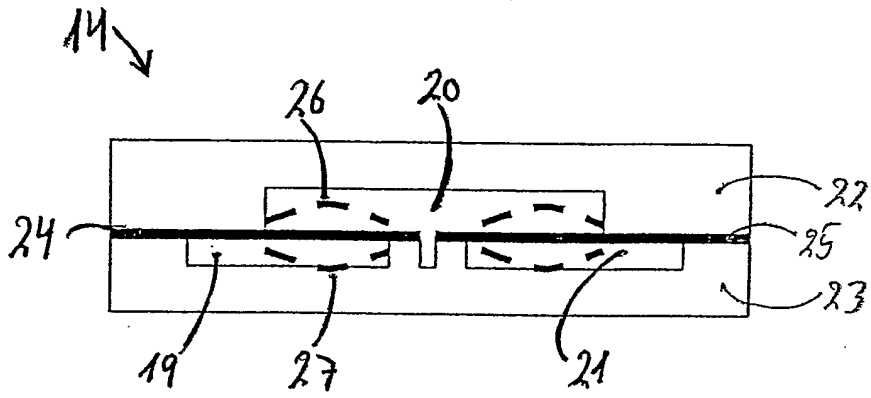


Fig. 3

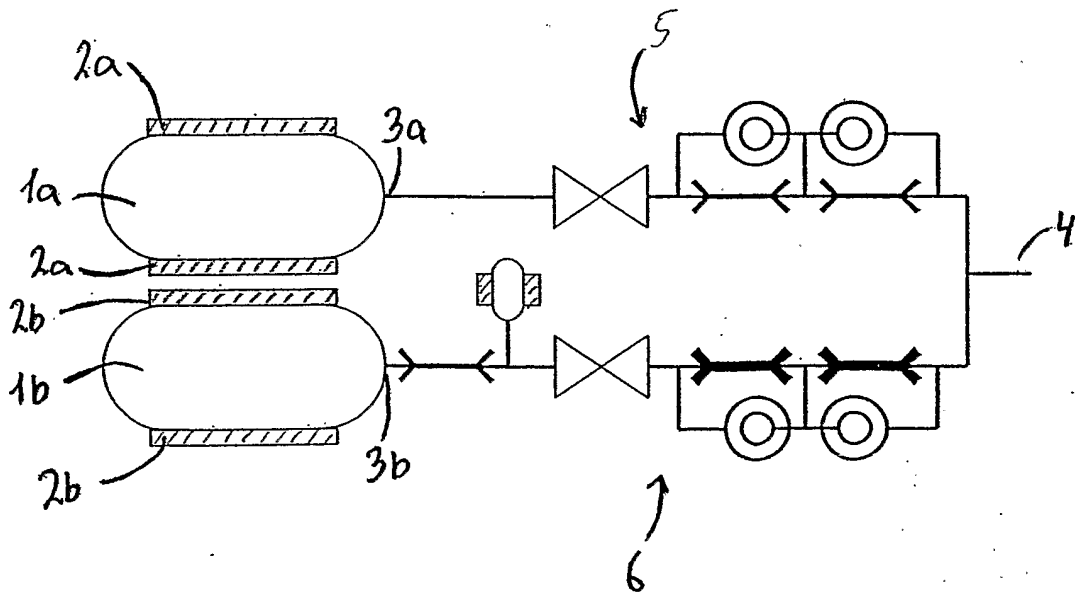


Fig. 7

4/5

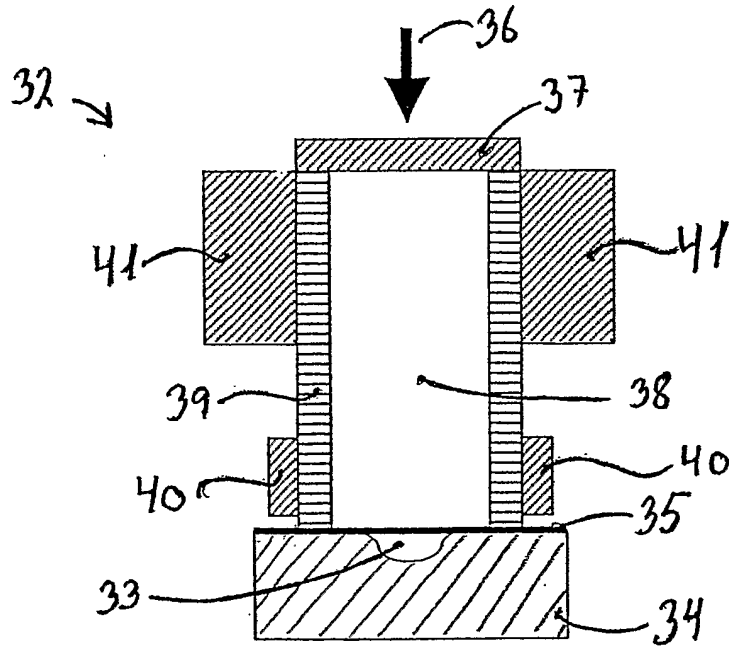


Fig. 5

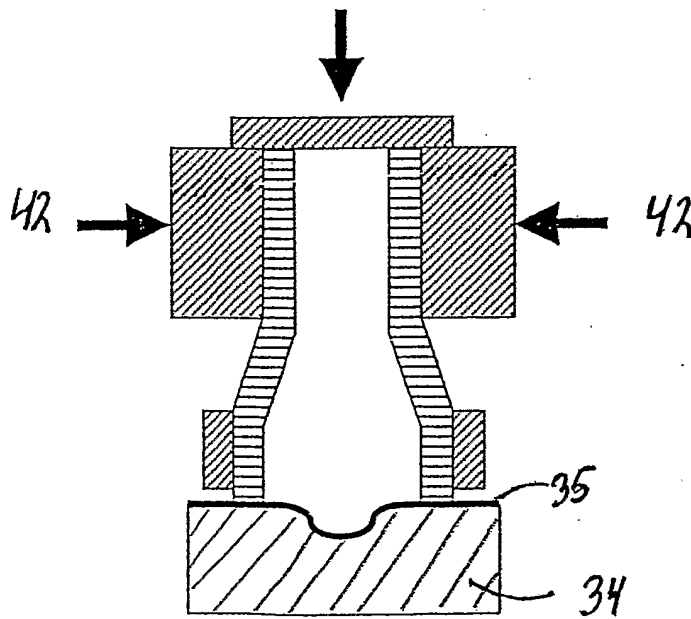


Fig. 6

5/5

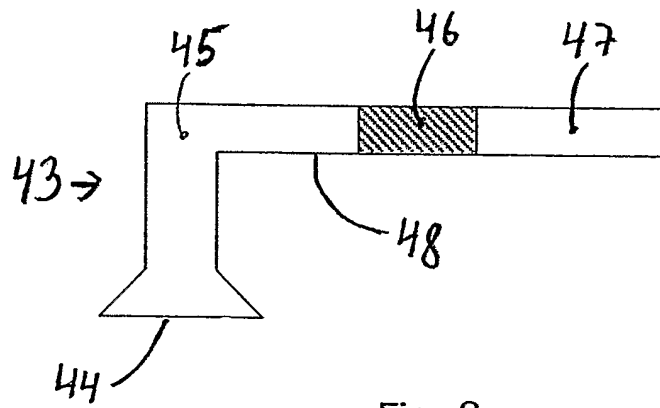


Fig. 8

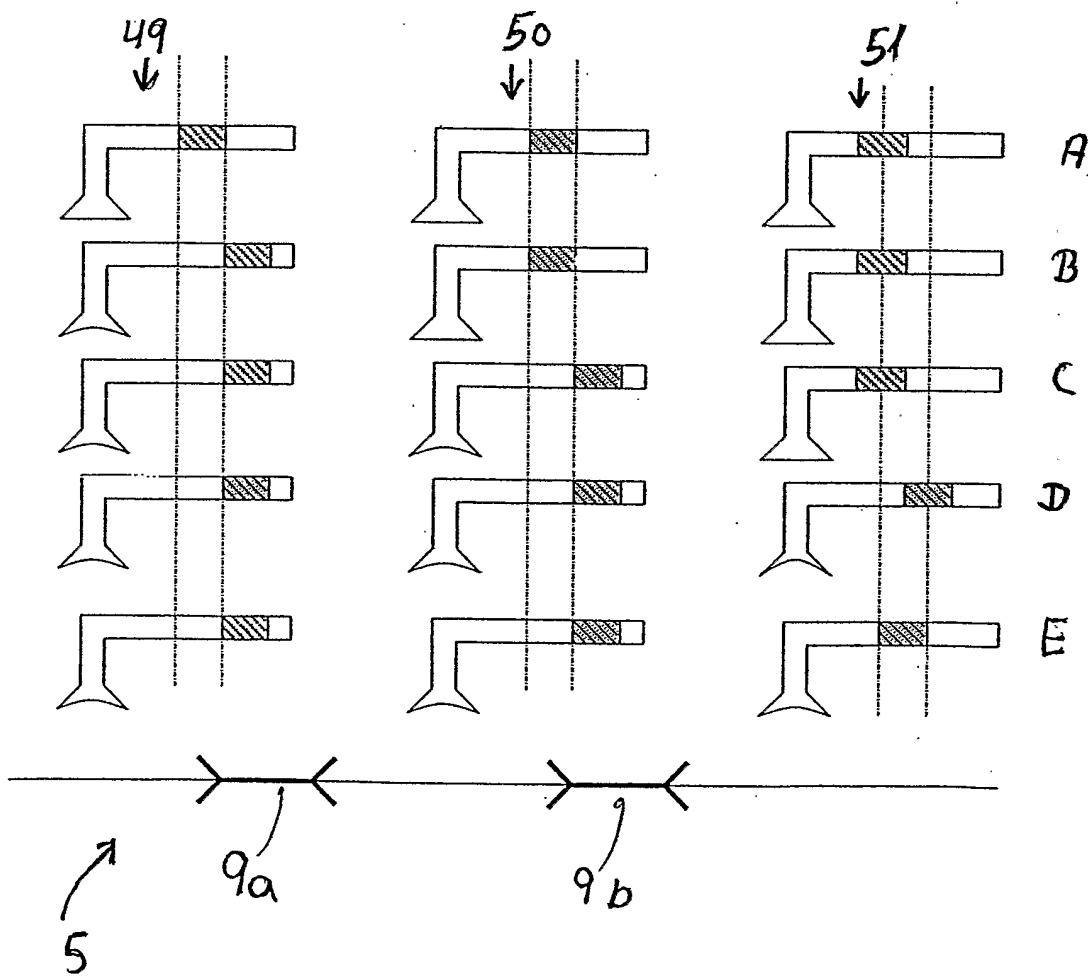


Fig. 9