

(19) World Intellectual Property Organization
International Bureau



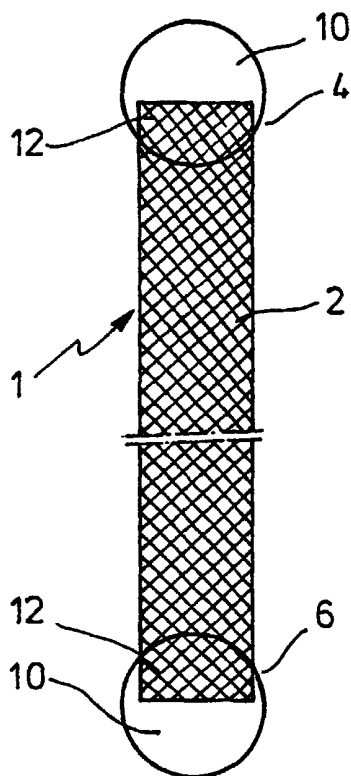
(43) International Publication Date
12 July 2001 (12.07.2001)

PCT

(10) International Publication Number
WO 01/49095 A2

- (51) International Patent Classification: Not classified
- (21) International Application Number: PCT/EP00/12491
- (22) International Filing Date:
11 December 2000 (11.12.2000)
- (25) Filing Language: English
- (26) Publication Language: English
- (30) Priority Data:
199 64 081.5 29 December 1999 (29.12.1999) DE
- (71) Applicant (for all designated States except US):
ETHICON GMBH [DE/DE]; Robert-Koch-Strasse
1, 22851 Norderstedt (DE).
- (72) Inventors; and
- (75) Inventors/Applicants (for US only): SUMP, Raimo
[DE/DE]; Siedlung 3, 19057 Schwerin (DE). WALTHER,
Christoph [DE/DE]; Dorfstrasse 35, 24568 Kattendorf
(DE).
- (74) Agents: BOTH, Georg et al.; Uexkill & Stolberg, Besel-
erstrasse 4, 22607 Hamburg (DE).
- (81) Designated States (national): AE, AL, AM, AT, AU, AZ,
BA, BB, BG, BR, BY, CA, CH, CN, CR, CU, CZ, DE, DK,
DM, EE, ES, FI, GB, GD, GE, GH, GM, HR, HU, ID, IL,
IN, IS, JP, KE, KG, KP, KR, KZ, LC, LK, LR, LS, LT, LU,
LV, MA, MD, MG, MK, MN, MW, MX, NO, NZ, PL, PT,
RO, RU, SD, SE, SG, SI, SK, SL, TJ, TM, TR, TT, TZ, UA,
UG, US, UZ, VN, YU, ZA, ZW.
- (84) Designated States (regional): ARIPO patent (GH, GM,
KE, LS, MW, MZ, SD, SL, SZ, TZ, UG, ZW), Eurasian
patent (AM, AZ, BY, KG, KZ, MD, RU, TJ, TM), European
patent (AT, BE, CH, CY, DE, DK, ES, FI, FR, GB, GR, IE,
IT, LU, MC, NL, PT, SE, TR), OAPI patent (BF, BJ, CF,
CG, CI, CM, GA, GN, GW, ML, MR, NE, SN, TD, TG).
- Published:**
— Without international search report and to be republished
upon receipt of that report.
- For two-letter codes and other abbreviations, refer to the "Guid-
ance Notes on Codes and Abbreviations" appearing at the begin-
ning of each regular issue of the PCT Gazette.

(54) Title: STRIP-LIKE IMPLANT



(57) Abstract: A strip-like implant (1) has a tape (2) with a first end (4) and with a second end (6). In the area of at least one of the two ends (4, 6), a disk-like application aid (10) aligned with the plane of the tape (2) is arranged. The disk-like application aid can also be constructed in the shape of two jaws of a surgical gripping instrument which is set up to grip an implant tape.



WO 01/49095 A2

Strip-Like Implant

The invention relates to a strip-like implant which has a tape with a first end and with a second end, as well as a surgical gripping instrument with two jaws, which is set up to grip an implant tape.

5

Strip-like implants, e.g. in the form of resorbable or non-resorbable meshes or gauze strips (tapes), are used e.g. to support or bind tissue. When such an implant is to be used in a surgical operation, it is often necessary to guide one end area or both end areas of the implant through tissue. For this, a large area of tissue must usually be prepared, and after the implant has been applied and positioned, the usually not inconsiderable wound in the end area of the implant must be closed. This is time-consuming and stressful for the patient.

15

The object of the invention is to provide a possibility for guiding a strip-like implant quickly and gently through tissue.

This object is achieved by a strip-like implant with the features of claim 1 as well as by a surgical gripping instrument with the features of claim 9. Advantageous versions of the invention are given in the dependent claims.

The basic concept of the invention is a disk-like application aid with which a strip-like implant (implant tape) can be pulled through tissue. The disk-like application aid is arranged either

25

in the area of one of the ends of the implant tape (claim 1) or constructed as jaws of a surgical instrument (claim 9), both of which have the same effect.

5 The strip-like implant according to the invention has a tape with a first end and with a second end. A disk-like application aid aligned with the plane of the tape is arranged in the area of at least one of the two ends.

10 The disk-like application aid reinforces the end area of the tape and thus enables the tape to be pulled through tissue with the help of a gripping instrument. In the process, the application aid provides the tissue quickly and gently with an opening which is no larger than is absolutely necessary for pulling
15 through the tape. Thus an extensive tissue preparation is dispensed with. With the help of the application aid, only the area of tissue which is also actually required to position the strip-like implant is prepared. The specific placing of the implant is guaranteed by means of the application aid as required by the
20 surgeon. In particular, the implant can lie flat without difficulty, if it is to lie uniformly flat. Similarly, if desired, the implant can also be inserted twisted. Through the disk-like application aid which is aligned with the plane of the tape (i.e. runs essentially parallel to the plane of the tape), the
25 end area of the tape is thus constructed so that the implant can be pulled through the desired tissue or lengthwise between two layers of tissue without major problems. Almost automatically, tissue is prepared only for the area that is required for the implant.

30

All resorbable or non-resorbable materials suitable for the medical field can be considered as material for the tape. Mixtures of resorbable and non-resorbable materials are also conceivable. For the disk-like application aid, non-resorbable materials such as metals, plastics and ceramics are particularly suit-
35

able; in principle, however, resorbable materials can also be used.

Application areas are e.g. the augmentation of tendon sutures or
5 the strength support in the case of abdominal wall defects.

Preferably, the maximum width of the application aid measured
perpendicular to the longitudinal axis of the tape is at least
as great as the width of the tape in the area of the application
10 aid. With this version, the opening required for pulling the
tape through tissue can be wholly created by means of the ap-
plication aid without the edges of the tape cutting into the
opening.

15 Numerous designs are conceivable for the application aid. For
one version, the application aid is designed as a one-piece disk
which is attached to one side of the tape. In another version,
the application aid is designed as a double disk, both parts of
which are attached to opposite sides of the tape and enclose the
20 tape between them. The application aid, that is e.g. the one-
piece disk or both parts of the double disk, can be attached to
the tape using clips or adhesive. Depending on the material, it
is also conceivable to weld the application aid to the end area
of the tape. Another possibility is to pour the material for the
25 application aid, e.g. a melted plastic or a plastic which has
not yet been cured, round the end area of the tape and in doing
so fully shape the application aid. Similarly, the end area of
the tape can be reinforced by melting on the application aid.

30 Preferably, the application aid is circular, elliptical, oval or
rhombic in the plane of the tape, but other forms are also pos-
sible. In a particularly preferred version, the application aid
is a double disk with two round halves of the same size, the
diameter of which is greater than the width of the tape, the end
35 area of the tape being arranged between the two halves.

The application aid can have an atraumatically designed edge and/or a cutting edge. It can be achieved by the design of the edges of the application aid that, when the implant is pulled through tissue, the application aid cuts the tissue gently only where it is absolutely necessary.

The disk-like application aid can achieve the same effect if it is not integrated into a strip-like implant but rather forms a part of a surgical gripping instrument which serves for pulling through a conventional strip-like implant. Such a surgical gripping instrument has two jaws and is set up to grip an implant tape. The two jaws are designed as a disk-like application aid aligned to the plane of the tape when gripping the tape.

Preferably, the two jaws are each designed as small disks between which the tape can be gripped. When the end area of a conventional mesh strip or implant tape is clamped between the two jaws of the surgical gripping instrument according to the invention, the same effect is achieved as when the disk-like application aid of a strip-like implant according to the invention is gripped with a conventional forceps-like operating instrument. When the operating instrument according to the invention is used, the opening in the tissue required for pulling through the implant tape is created by the two jaws.

To prevent the end area of an implant tape gripped by the surgical gripping instrument from slipping out of the jaws, preferably, clamping means project from at least one of the two jaws, directed towards the other jaw. These can be e.g. one or more spikes or teeth, interlocking teeth or a corrugation.

Preferably, at least one of the two jaws is circular, elliptical, oval or rhombic in the plane of the tape. In a preferred design, the two jaws have the same outline. The surgical gripping instrument is advantageously used with implant tapes the

width of which is at most as great as the dimension of the jaws in the direction of the width of the implant tape.

In the same way as the application aid of the strip-like implant according to the invention preferably has an atraumatically designed edge and/or a cutting edge, in the surgical gripping instrument according to the invention preferably at least one of the two jaws has an atraumatically designed edge and/or a cutting edge.

10

In the following, the invention is explained in more detail using embodiments. The Figures show in

15

Figure 1 in parts (a) to (e) top views of the undersides of different versions of strip-like implants according to the invention (in partial view),

20

Figure 2 in parts (a) to (c) side views of various versions of strip-like implants according to the invention (in partial view), which are constructed as in Figure 1,

25

Figure 3 in parts (a) to (e) top views of further versions of strip-like implants according to the invention (in partial view),

30

Figure 4 in parts (a) to (c) side views of various versions of strip-like implants according to the invention (in partial view) which are constructed as in Figure 3, and

35

Figure 5 a perspective view of a surgical gripping instrument according to the invention, in part (a) with opened jaws and in part (b) with closed jaws when gripping an implant tape.

- 6 -

In Figures 1 and 2, various versions of a strip-like implant 1 are shown in which, for simplicity's sake, the same reference numbers are used for similar parts.

5 Each of the strip-like implants 1 has a tape 2 with a first end 4 and a second end 6. The tape 2 is a conventional mesh strip of implantable material and can be resorbable or non-resorbable.

10 In the area of the first end 4 of the tape 2, in all cases, a disk-like application aid in the form of a one-piece disk 10 is attached on the upper side of the tape 2 in an end zone 12, as can be seen in particular in Figure 2. The versions according to Figure 1(a) and Figure 1(b) are in addition provided with a corresponding small disk 10 in the area of the second end 6 of
15 the tape 2. In principle, a disk-like application aid can be attached in the area of one or in the area of both ends of the tape 2.

In the embodiments according to Figures 1 and 2, the small disk
20 10 is stuck or clipped onto the tape 2 in the end zone 12. Combinations of these means of attachment or other means of attachment, such as e.g. melting on, are also conceivable. The small disk 10 consists preferably of metal, plastic or ceramic.

25 The versions of the strip-like implant 1 differ in the design of the small disk 10. In Figure 1(a), the small disk 10 has a circular outline and a somewhat greater diameter than the width of the tape 2. In the version according to Figure 1(b), the diameter of the small disk 10 corresponds to the width of the tape 2.
30 Figure 1(c) shows a small disk 10 with an elliptical outline, the greatest expanse of which is aligned with the width of the tape 2 and is the same as the width. In the version according to Figure 1(d), the small disk 10 is shaped and aligned similarly, but wider than the tape 2. Figure 1(e) shows a rhombic small
35 disk 10 which is somewhat wider than the tape 2.

As can be seen in Figure 2, the small disks 10 are aligned with the plane of the tape 2 and relatively flat. In Figure 2(a), a version is shown with a small disk 10, the front edge 14 of which is constructed as a cutting edge. In the version according to Figure 2(b), the front edge 16 of the small disk 10 is blunt and atraumatic whilst the shape of the front edge 18 in Figure 2(c) is in between.

In Figures 3 and 4, further versions for strip-like implants are shown, each here numbered 1'. Otherwise, for simplicity's sake, the same reference numbers are used for similar parts, which, when possible, are the same as those from Figures 1 and 2.

The versions according to Figures 3 and 4 differ from the versions according to Figures 1 and 2 in the design of the disk-like application aid here numbered 20. The application aid 20 encloses an end zone 22 of the tape 2 as indicated in Figure 4. There are different possible ways of achieving this. Thus, the application aid 20 can be constructed as a double disk, the two parts of which are attached on opposite sides of the tape 2 and enclose the tape between them. A recess to house the end zone 22 of the tape 2 can be provided on the insides of the disks so that the application aid 20 can have a smooth edge as indicated in Figure 4. It is also conceivable to pour the material for the application aid 20 round the end zone 22 in the area of the first end 4 or the second end 6 of the tape 2, to fully shape the application aid and then carry out a curing (e.g. by cooling from the melt or by chemical reaction).

The versions according to Figures 3 and 4 differ in the design of the application aid 20. Its shape is circular in Figure 3(a) (the diameter being greater than the width of the tape 2), circular in Figure 3(b) (the diameter being the same as the width of the tape 2), elliptical in Figure 3(c) and Figure 3(d) (the application aid 20 being wider in Figure 3(d) than the tape 2) and rhombic in Figure 3(e).

Figure 4 shows that in these versions the application aid 20 is arranged essentially symmetrical to the plane of the tape 2 and is flat overall. Figure 4(a) shows a version with an atraumatically shaped front edge 24, Figure 4(b) a version with a cutting front edge 26 and Figure 4(c) a version with a front edge 28, the shape of which lies between these two extremes.

In order to insert one of the strip-like implants 1 or 1' into tissue, the application aid 10 or 20 is gripped with a surgical gripping instrument such as e.g. a forceps and pressed against one side of the tissue so that the front edge of the small disk 10 or of the application aid 20 (e.g. the edge 14) comes to lie freely against this side of the tissue. The small disk 10 or the application aid 20 can then be pressed through the tissue using the gripping instrument and, as soon as a part of it has emerged on the other side of the tissue, be pulled through the tissue by gripping this part with the gripping instrument, the tape 2 following. The opening created in the tissue in this way causes the patient little discomfort as it is matched well to the size of the tape 2. After the tape 2 is guided through the tissue, the small disk 10 or the application aid 20 can be cut off. Afterwards, the procedure with the tape 2 is as per usual for the operating technique concerned.

Alternatively, sharp-pointed forceps can be used as a gripping instrument, these being pushed through the tissue in order to grip the application aid 10 or 20 moved to the other side of the tissue. Subsequently, using the forceps, the application aid 10 or 20 and the following tape 2 are pulled through the tissue. In this way, the forceps initially ensure a small opening in the tissue, this then being increased by the application aid 10 or 20 to the size required for pulling through the tape 2.

In Figure 5, another possibility for an application aid is shown. The distal area of a surgical gripping instrument 30 with a first jaw 31 and a second jaw 32 is shown in perspective view,

in Figure 5(a) with opened jaws 31, 32 and in Figure 5(b) with closed jaws 31, 32. The two jaws 31, 32 are connected to each other in articulated manner at the distal end of a shaft 34 and can be swivelled against each other via a mechanism not shown in more detail and guided in the shaft 34.

The jaws 31, 32 are designed so that they form a disk-like application aid when closed, thus e.g. have a similar overall shape to the small disks 10 according to Figures 1 and 2 or the application aids 20 according to Figures 3 and 4. The surgical gripping instrument 30 is set up to grip an implant tape, for which reason the insides of the jaws 31, 32 are preferably generally flat, but provided with clamping means in order to prevent the implant tape from slipping out. On the inside of the first jaw 31, the version of the surgical gripping instrument 30 shown in Figure 5 has a plurality of spikes 36 opposite which, in the second jaw 32, recesses 37 are arranged, in which the spikes 36 engage when the jaws 31, 32 are closed. In the embodiment, both the front edge 38 of the first jaw 31 and its side edges are cutting edges. The edges of the second jaw 32 are designed correspondingly.

Figure 5(a) shows the surgical gripping instrument 30 with opened jaws 31, 32 opposite the end area of a conventional implant tape 40. In the position shown in Figure 5(b), the implant tape 40 is clamped between the jaws 31, 32, the shaft 34 running as an extension of the implant tape 40. In this way, it is possible to pull the implant tape 40 or also to pull it through tissue after the end zone of the implant tape 40 has already passed through the tissue. On the other hand, to create an opening for the implant tape 40 in the tissue, the surgical gripping instrument 30 must be applied differently, i.e. rotated by approximately 180°. Then the front edge 38 points towards the tissue and the closed jaws 31, 32 as well as the following implant tape 40 can be pressed through the tissue, in a similar way to that described previously in connection with Figures 1 to 4. Alterna-

tively, the gripping instrument 30 can be used with closed jaws 31, 32 (and without the implant tape 40) in order to create an opening at the desired position in the tissue. Subsequently, the closed jaws 31, 32 are pushed through this opening in order to
5 be able to grip the implant tape 40 moved to the opposite side of the tissue and to pull it through the opening in the configuration according to Figure 5(b).

Claims

1. Strip-like implant which has a tape (2) with a first end (4) and with a second end (6), wherein a disk-like applica-
5 tion aid (10; 20), which is aligned with the plane of the tape (2), is arranged in the area of at least one of the two ends (4, 6).
2. Implant according to claim 1, characterized in that the
10 maximum width of the application aid (10; 20) measured perpendicular to the longitudinal axis of the tape (2) is at least as great as the width of the tape (2) in the area of the application aid (10; 20).
- 15 3. Implant according to claim 1 or 2, characterized in that the application aid (10) is constructed as a one-piece disk (10) which is attached to one side of the tape (2).
4. Implant according to claim 1 or 2, characterized in that
20 the application aid (20) is constructed as a double disk (20), the two parts of which are attached on opposite sides of the tape (2) and enclose the tape (2) between them.
5. Implant according to one of claims 1 to 4, characterized in
25 that the application aid (10; 20) is attached in at least one of the following ways to the tape (2): clipping, gluing, welding, casting around, melting-on.
6. Implant according to one of claims 1 to 5, characterized in
30 that the application aid (10; 20) has one of the following shapes at the plane of the tape (2): circular, elliptical, oval, rhombic.
7. Implant according to one of claims 1 to 6, characterized in
35 that the application aid (10; 20) has an atraumatically-designed edge (16; 24).

8. Implant according to one of claims 1 to 7, characterized in that the application aid (10; 20) has a cutting edge (14; 26).
- 5 9. Surgical gripping instrument with two jaws (31, 32) which is set up to grip an implant tape (40), the two jaws (31, 32) being constructed as a disk-like application aid aligned to the plane of the tape (40) when gripping the tape (40).
- 10 10. Gripping instrument according to claim 9, characterized in that the two jaws (31, 32) are each constructed as disks between which the tape (40) can be gripped.
- 15 11. Gripping instrument according to claim 9 or 10, characterized in that clamping means (36) project from at least one of the two jaws (31) directed towards the other jaw (32).
- 20 12. Gripping instrument according to claim 11, characterized in that the clamping means (36, 37) have at least one of the following elements: spike (36), tooth, interlocking teeth, corrugation.
- 25 13. Gripping instrument according to one of claims 9 to 12, characterized in that at least one of the two jaws (31, 32) has one of the following shapes at the plane of the tape (40): circular, elliptical, oval, rhombic.
- 30 14. Gripping instrument according to one of claims 9 to 13, characterized in that at least one of the two jaws (31, 32) has an atraumatically-designed edge.
- 35 15. Gripping instrument according to one of claims 9 to 14, characterized in that at least one of the two jaws (31, 32) has a cutting edge (38).

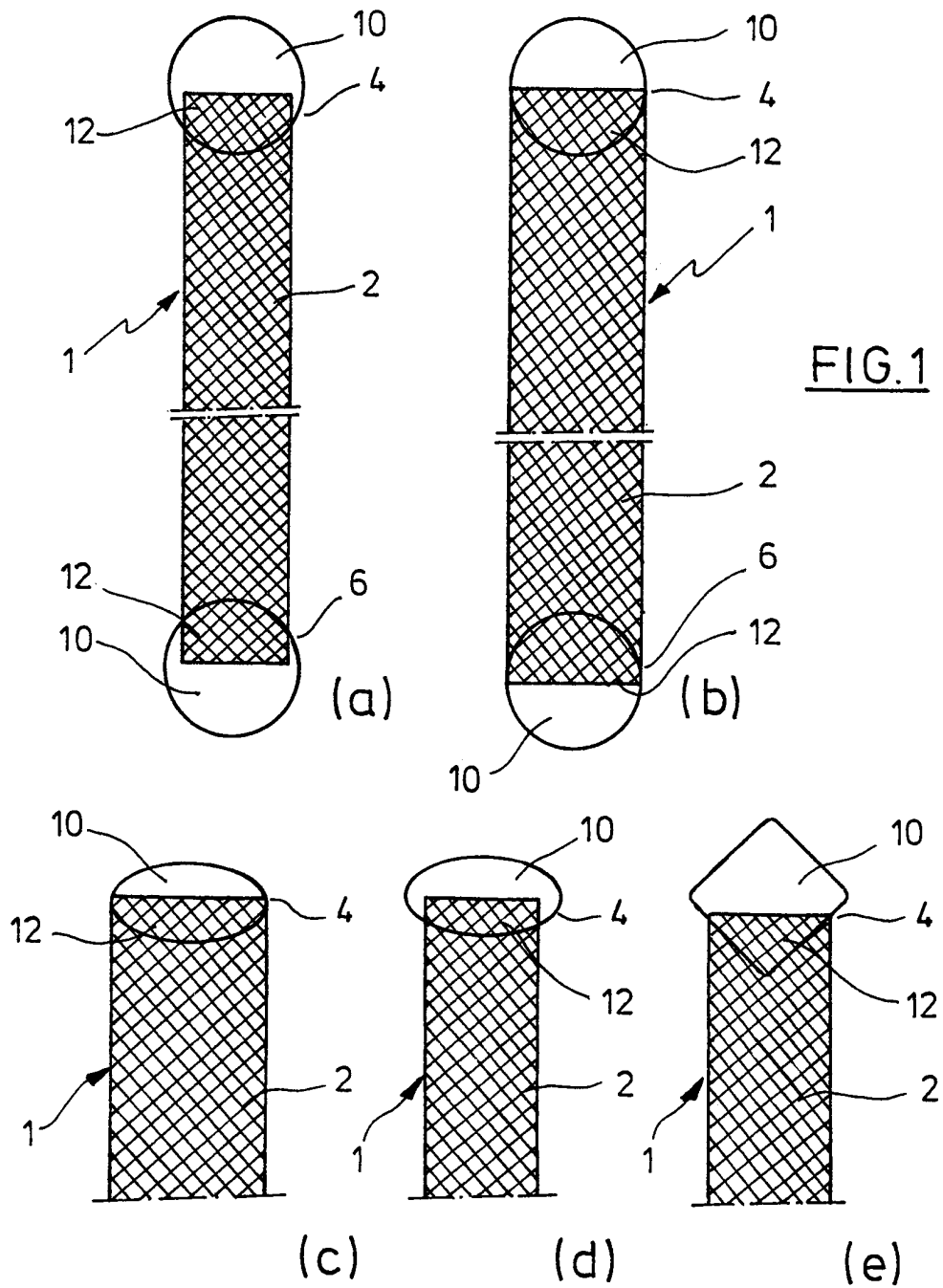


FIG. 1

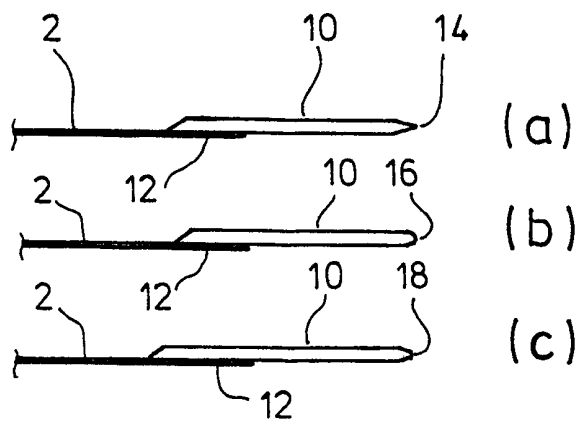


FIG. 2

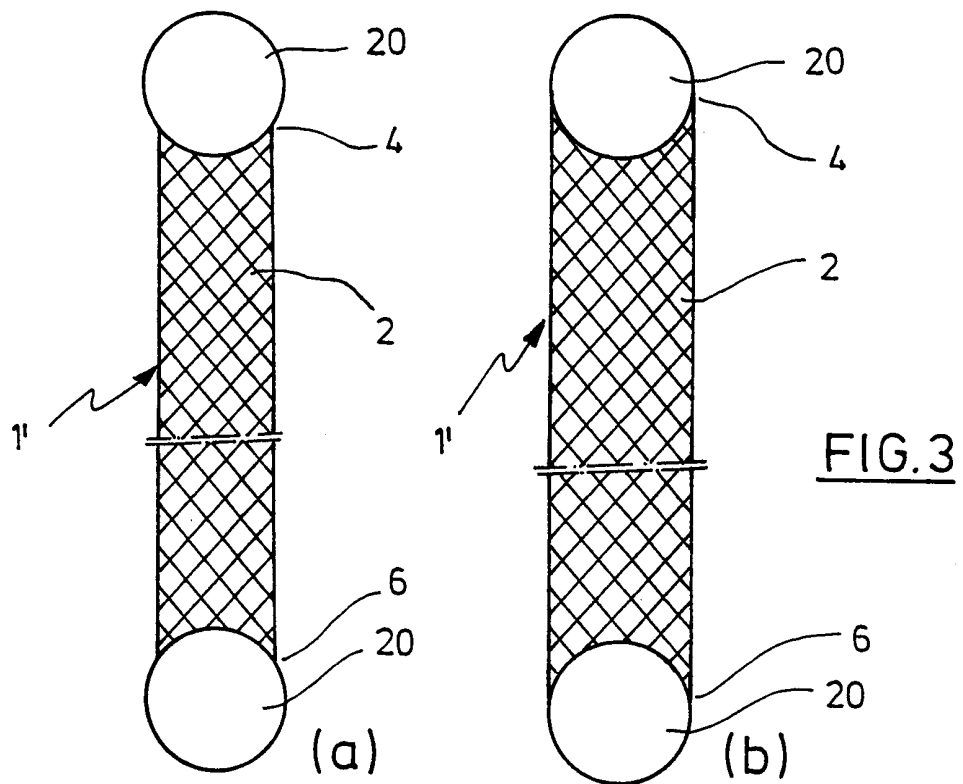


FIG. 3

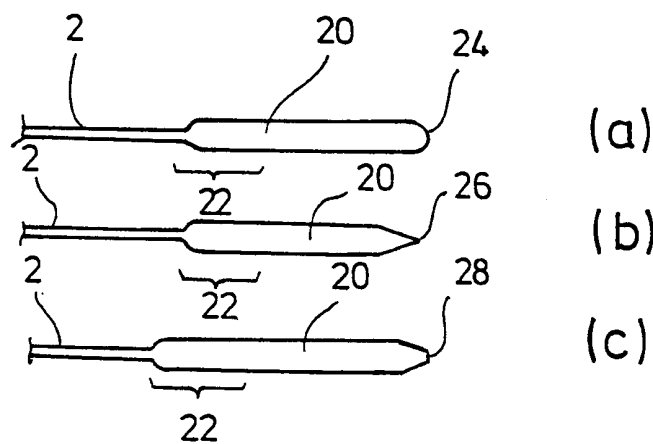
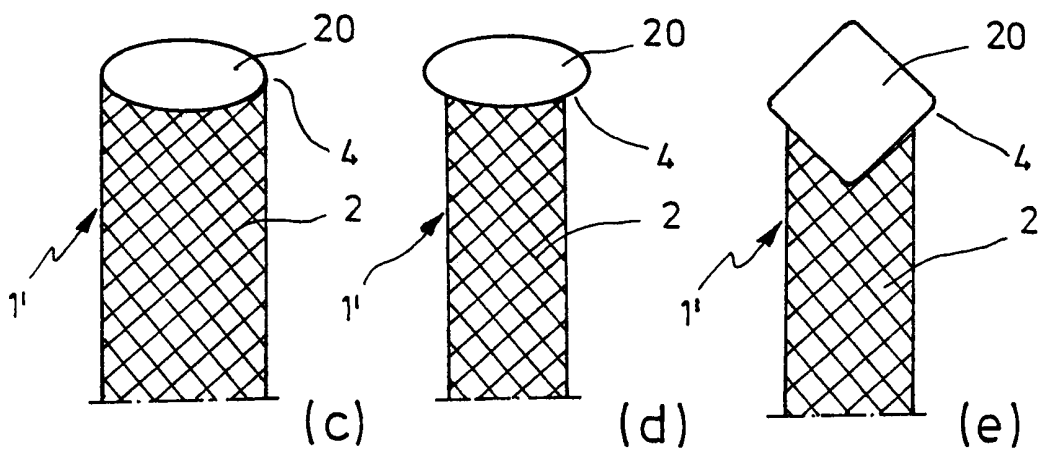


FIG. 4

FIG. 5

