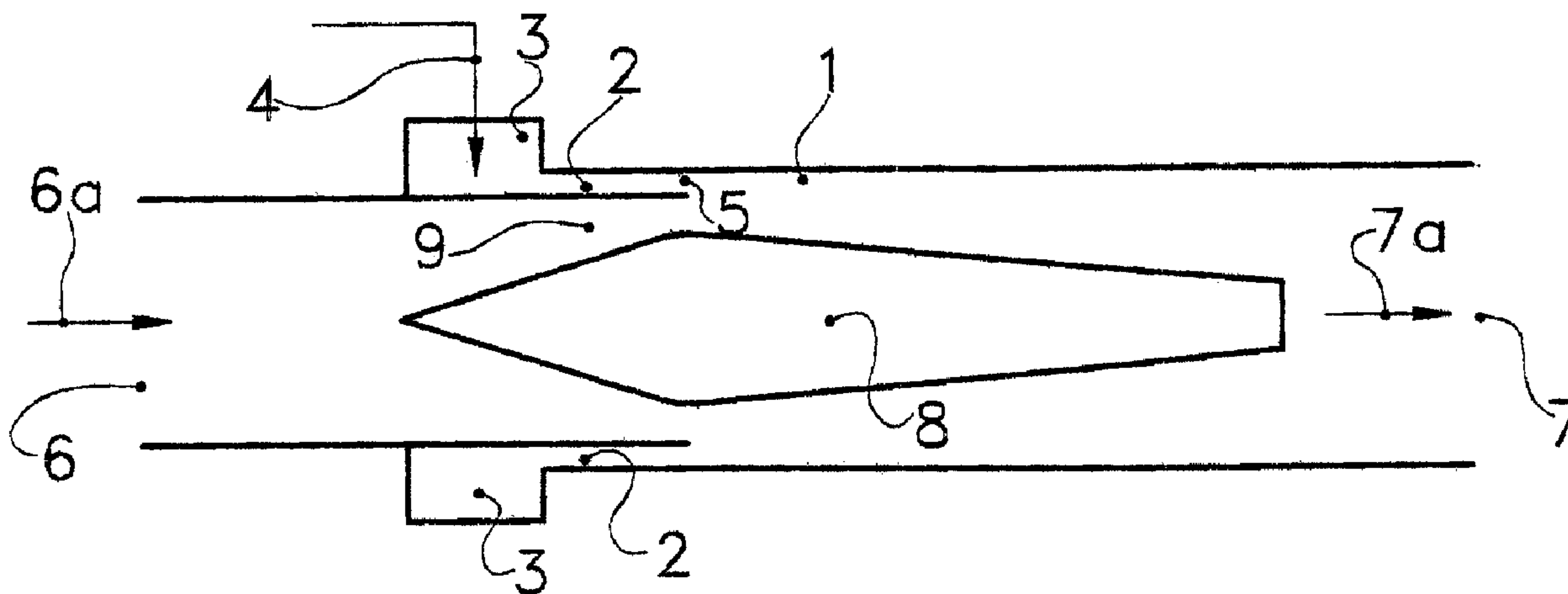




(22) Date de dépôt/Filing Date: 2002/03/18
 (41) Mise à la disp. pub./Open to Public Insp.: 2002/10/17
 (45) Date de délivrance/Issue Date: 2012/10/02
 (30) Priorité/Priority: 2001/04/17 (DE201 06 613.0)

(51) Cl.Int./Int.Cl. *B05B 1/00* (2006.01),
A01N 59/26 (2006.01), *B01F 5/04* (2006.01),
C01B 25/06 (2006.01), *B01F 3/02* (2006.01)
 (72) Inventeur/Inventor:
 HORN, FRANZISKUS, CL
 (73) Propriétaire/Owner:
 HORN, FRANZISKUS, CL
 (74) Agent: R. WILLIAM WRAY & ASSOCIATES

(54) Titre : BUSE POUR DILUER DE LA PHOSPHINE
 (54) Title: NOZZLE FOR THINNING OF PHOSPHINE



(57) **Abrégé/Abstract:**

The present invention relates to a nozzle for thinning of phosphine (chemical formula PH_3), which is consisting in a tube-like air-inducing, a ring-like mounted split (ring split) and/or in at least one lateral mounted little tube as PH_3 -inducing (inducer), whereby the thickness of the split opening and/or of the opening of the little tube is maximum 1/25 of the diameter of the tube like air-inducing (inducer) and/or of the distance between the surface of an air guiding element and the inner side of the tube-like air-inducing (inducer) in the area of the PH_3 - entrance.



ABSTRACT

The present invention relates to a nozzle for thinning of phosphine (chemical formula PH_3), which is consisting in a tube-like air-inducing, a ring-like mounted split (ring split) and / or in at least one lateral mounted little tube as PH_3 -inducing (inducer), whereby the thickness of the split opening and / or of the opening of the little tube is maximum $1/25$ of the diameter of the tube like air-inducing (inducer) and / or of the distance between the surface of an air guiding element and the inner side of the tube-like air-inducing (inducer) in the area of the PH_3 -entrance.

NOZZLE FOR THINNING OF PHOSPHINE

The present invention relates to a nozzle for thinning of phosphine (chemical formula PH_3), which is consisting in a tube-like air-inducing, a ring-like mounted split (ring split) and / or in at least one lateral mounted little tube as PH_3 -inducing (inducer), whereby the thickness of the split opening and / or of the opening of the little tube is maximum $1/25$ of the diameter of the tube like air-inducing (inducer) and / or of the distance between the surface of an air guiding element and the inner side of the tube-like air-inducing (inducer) in the area of the PH_3 -entrance.

It is well known that PH_3 is used since decades as a medium for pest control and for the prophylaxes in storage protection, especially concerning food (for man kind and animals).

As known, PH_3 is building with air a gaseous mixture which is easily flammable, whereby the ignition border lies at 1,8 % PH_3 -concentration. In the case this border will be exceeded, PH_3 is tending to self ignition.

Therefore numerous processes and devices have been proposed in order to have a thinning of PH_3 with air without danger.

Concerning the nearest art the German Offenlegungsschrift (published Patent Application) No 198 39 385 has to be named, which describes a effective process for the direct thinning of PH_3 with air whereby the mixing of air and PH_3 is carried out under or in present of water. Concerning the farer prior art the German Patent No. 691 29 456 T2 and the published International Patent Application WO93/25075 A1 are to be named.

The present invention proposes a device in form of a nozzle which device is as handy-device easily transportable and usable quickly at each wanted operation place.

The invention describes therefore a device which is universal and quickly usable.

The nozzle according to the invention was for example usable to mix within 1 hours 90000 liters air with PH_3 reaching a content of 10000 ppm PH_3 in the air.

Concerning he technological background it is to be stated that in the case of an ignition of a flammable mixture of air and PH_3 the reaction zone will be spread with super sonic velocity.

In the case a PH_3 -stream will be guided in an air stream a self ignition will take place immediately, whereby little explosions will take place at the exit point of the PH_3 ; the little explosions effect immediately the so called resonance process due to the extension and following contraction effected by the explosion.

This phenomenon will be accompanied by a whistling noise. Due to these explosions will be built a yellow-red fluid like mixture of phosphorous acid and poly-phosphines.

The equal phenomenon also have been detected by the dosage of PH_3 in an air stream using little bores whereby the bore holes always have been got dirty by polluting yellow acid whereby the bore wholes became closed when their diameter was between 1 – 2 mm.

This described negative phenomenons have been avoided according the German Offenlegungsschrift 198 39 385, because the water is preventing a resonance of the explosions.

The present invention is based on the surprising foundation of knowledge, that the producing of a laminar stream of PH_3 along the inner wall of a tube like air inducing will effect an optimum mixing of air and PH_3 without the danger of ignition until under the ignition border.

In the nozzle according to the present invention the effect of an ignition will be prevented by the fact, that the critical conditions will appear only in a very thin layer. The PH_3 -layer will be immediately pulled with by a strong air stream and will be mixed into the air.

By this it is possible to produce mixtures, which contain up to 10000 ppm PH_3 without the danger of an ignition in the mixing zone. This can be controlled by the fact, that in the mixing zone no yellow phosphoric acid will be produced.

In the case a red-hot bar iron will be arranged exactly before the mixing point in the nozzle up to a concentration of 5000 ppm PH_3 a continuous ignition will not take place. Only as long as the ignition will take place, the whistling noise can be heard. In the practice for the attack with gas no mixtures with a higher PH_3 -content as 2000 ppm will be used.

The nature of the present invention will now be described by the attached figures 1 – 3, which show example like a preferred embodiment of the invention. The figures show a cut through the device according to the invention.

The embodiment according figure 1 is consisting in a tube, open at both ends which carries the number 1. This tube has ring split 2 which has a ring like an adapter 3 through which in direction of the arrow 4 PH_3 is streaming with the consequence that at the entrance point 5 along the wall of the tube 1 is streaming. In the same time air is streaming with a very high velocity in the opening 6 of the tube 1 in direction of the arrow 6a whereby the stream of PH_3 , which is already of laminar character, will build a still much thinner layer. The exit opening of the air- PH_3 -mixture carries the number 7, the stream direction of the mixture carries the number 7a.

In order to increase the pressure of the very quick streaming air on the laminar streaming PH_3 according to the preferred embodiment in the tube 1, there is arranged a bullet-like element 8, which head with an acute angle is showing in direction to the air entrance 6, whereby the thickest area of the bullet-like element 8 is arranged in the area of the ring split 2; 8 is a so called air guiding element.

The air which is guided through the tube has for example an over-pressure of 350 – 440 mm water column and a velocity of 250 – 370 km/h.

The exit split 2 for the PH_3 shall have a diameter which will not exceed generally 0,2 mm. It have been tested nozzles with ring splits diameters of 0,6 mm; 0,3 mm and 0,1 mm, whereby the latter value have been found as an optimum. Due to the existence of the bullet-like element 8 it will be effected that the thickness of the air layer 9 over the PH_3 -layer will exceed preferably not the value of 5 mm.

In the embodiment according figure 2 there is no bullet-like element present compared with figure 1.

The nozzle according to the present invention can be built easily out of some elements which can be quickly arranged together, whereby these elements are tightened by O-rings. The nozzle, which is consisting preferably out of stainless steel, can be also very easily disassembled in the different elements and can be easily controlled and easily cleaned, if necessary.

According to a further embodiment which is shown in figure 3, the function of the PH_3 inducing is carried out by distinct little tubes, that means the ring-split is replaced partially or totally by the little tubes, the exits of them are situated parallel to the inner wall of the tube 1.

Figure 3 shows a cut through the nozzle with this little tube element according to the present invention.

The tube, which is open at both sides carries the number 1, the ring split carry the number 2, with number 8 the bullet-like air guiding element and with number 10 the ring-like adapter-element is named.

Claims

The embodiments of the invention in which an exclusive property or privilege is claimed are defined as follows:

1. A nozzle for mixing phosphine (chemical formula PH_3) with a gas, the nozzle comprising:
a tubular gas pipe with an annular aperture and at least one small lateral pipe, which is used to add the phosphine, the width of the at least one small lateral pipe not exceeding $1/25$ of the diameter of the tubular gas pipe and/or of the distance between the surface of a bullet-like gas guiding element and the inside of the tubular gas pipe at the point where PH_3 is fed into the system.
2. The nozzle according to claim 1, whereby
in the tubular gas pipe there is provided a projectile shaped body which serves as the gas guiding element, the tip of the body points towards the aperture used for gas access, and the diameter of the body is at its largest at the point where PH_3 is fed into the tubular gas pipe.
3. The nozzle according to claims 1 or 2, whereby the nozzle is comprised of stainless steel.
4. The nozzle according to claims 1, 2 or 3, whereby the parts building the nozzle are interconnected.
5. A nozzle for mixing phosphine with a gas, the nozzle comprising:
an outer tubular body having an inner wall defining a mixing chamber, and an inlet for providing a laminar stream of phosphine in the form of a thin layer along the inner wall defining the mixing chamber; an inner tubular body disposed concentrically within the outer tubular body and connected to the outer tubular body by a ring-like adapter, the inner tubular body being disposed so that an annular aperture is formed between a portion of an outer wall of the inner tubular body and a

portion of the inner wall of the outer tubular body, the width of the annular aperture being less than or equal to 0.2 mm and providing to the phosphine an entrance to the mixing chamber, the inner tubular body including an inlet for providing a flow of the gas to the mixing chamber; and a bullet-like gas guiding-element disposed concentrically within the inner tubular body so that the portion of the gas guiding-element having the greatest diameter is disposed next to the annular aperture.

6. The nozzle of claim 5, wherein the nozzle is comprised of stainless steel.
7. The nozzle of claim 5, wherein the ring-like adapter is an O-ring.
8. The nozzle of claim 5, wherein the outer tubular body is a substantially cylindrical elongated body.
9. The nozzle of claim 5, wherein the inner tubular body is a substantially cylindrical elongated body.
10. The nozzle of claim 1 or 5, wherein the gas is air.

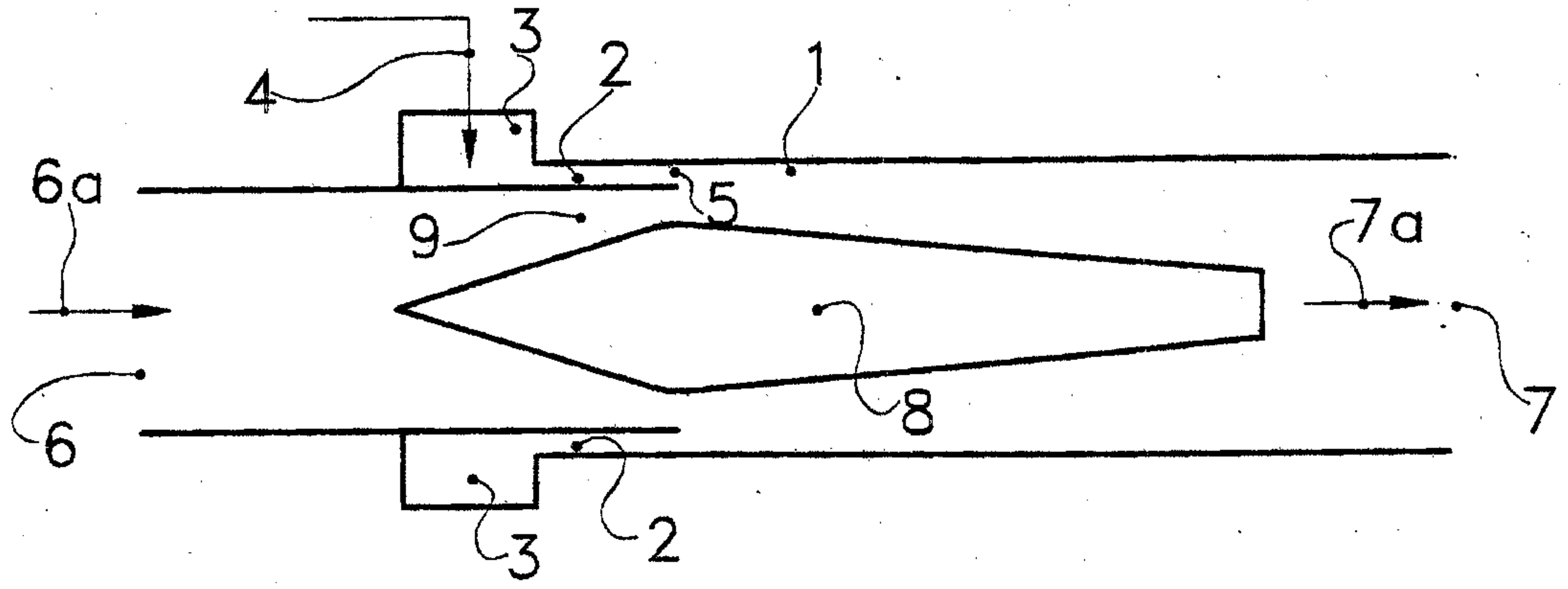


Figure 1

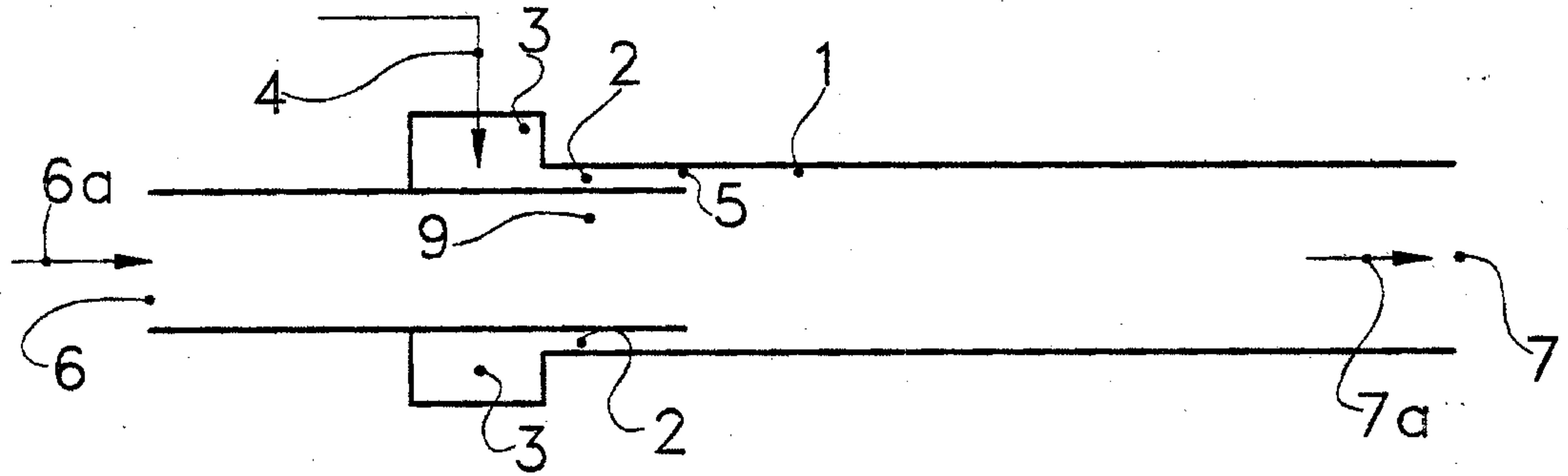


Figure 2

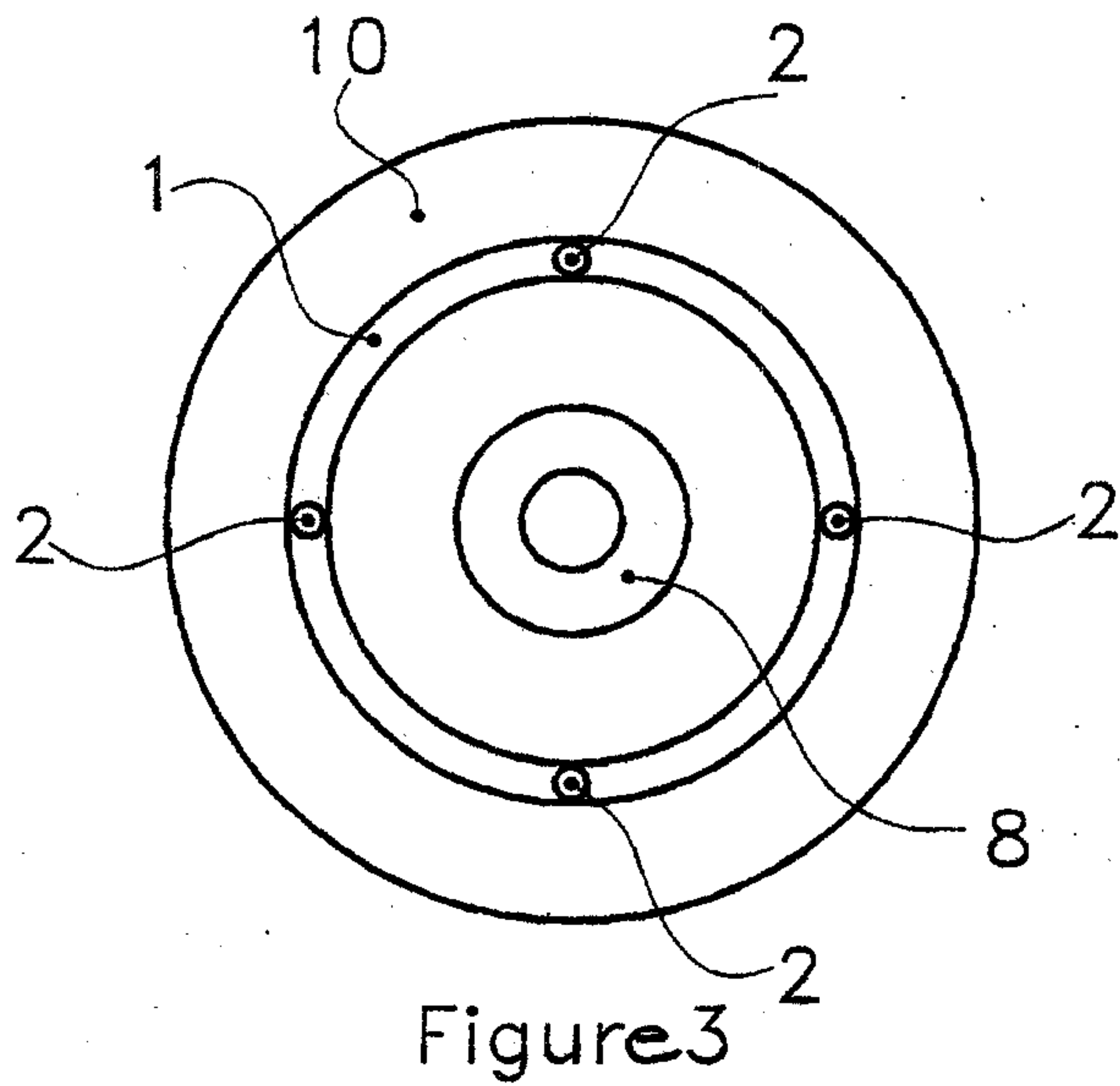


Figure 3

R. William Wray & Associates

