



- (51) International Patent Classification:
A01K 5/02 (2006.01)
- (21) International Application Number:
PCT/TT2012/000001
- (22) International Filing Date:
12 April 2012 (12.04.2012)
- (25) Filing Language: English
- (26) Publication Language: English
- (30) Priority Data:
13/280,651 25 October 2011 (25.10.2011) US
- (72) Inventors; and
- (71) Applicants : BYRON, Biswah [TT/TT]; 5 Huner March Road Ext., Charles St., Gasparillo, Trinidad (TT). NAVIN, Manickchan [TT/TT]; 505 Southern Main Road, Rousillac, Trinidad (TT).
- (81) Designated States (unless otherwise indicated, for every kind of national protection available): AE, AG, AL, AM, AO, AT, AU, AZ, BA, BB, BG, BH, BR, BW, BY, BZ,

CA, CH, CL, CN, CO, CR, CU, CZ, DE, DK, DM, DO, DZ, EC, EE, EG, ES, FI, GB, GD, GE, GH, GM, GT, HN, HR, HU, ID, IL, IN, IS, JP, KE, KG, KM, KN, KP, KR, KZ, LA, LC, LK, LR, LS, LT, LU, LY, MA, MD, ME, MG, MK, MN, MW, MX, MY, MZ, NA, NG, NI, NO, NZ, OM, PE, PG, PH, PL, PT, QA, RO, RS, RU, RW, SC, SD, SE, SG, SK, SL, SM, ST, SV, SY, TH, TJ, TM, TN, TR, TT, TZ, UA, UG, US, UZ, VC, VN, ZA, ZM, ZW.

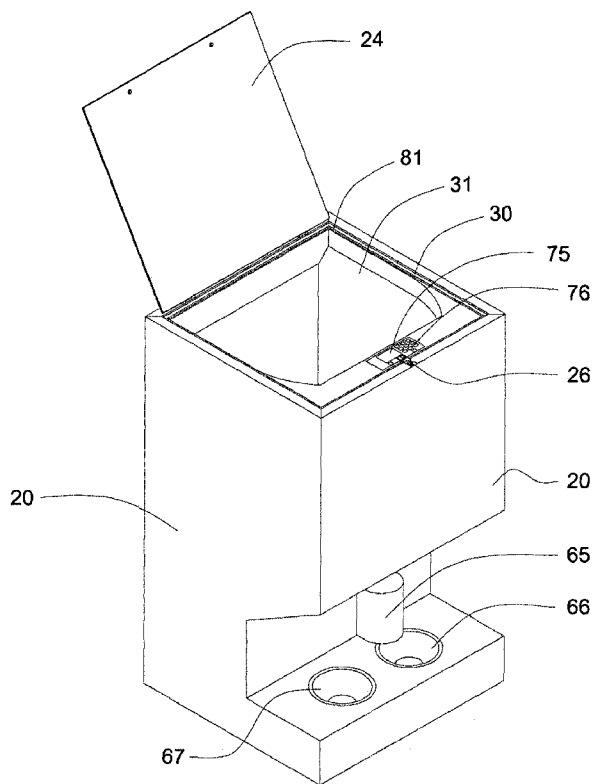
- (84) Designated States (unless otherwise indicated, for every kind of regional protection available): ARIPO (BW, GH, GM, KE, LR, LS, MW, MZ, NA, RW, SD, SL, SZ, TZ, UG, ZM, ZW), Eurasian (AM, AZ, BY, KG, KZ, MD, RU, TJ, TM), European (AL, AT, BE, BG, CH, CY, CZ, DE, DK, EE, ES, FI, FR, GB, GR, HR, HU, IE, IS, IT, LT, LU, LV, MC, MK, MT, NL, NO, PL, PT, RO, RS, SE, SI, SK, SM, TR), OAPI (BF, BJ, CF, CG, CI, CM, GA, GN, GQ, GW, ML, MR, NE, SN, TD, TG).

Declarations under Rule 4.17:

- as to applicant's entitlement to apply for and be granted a patent (Rule 4.17(ii))

[Continued on next page]

(54) Title: AUTOMATIC ANIMAL FEEDING AND WATERING DEVICE



(57) Abstract: A device catering for the dietary needs of animals. Feed is stored in a hopper and distributed at intervals to the animal's feeding receptacle via an internal dispensing mechanism using a flexible rotor sealing against the walls of a housing to both meter the feed and seal against contamination. The quantities and delivery times may be set by the user. An optional weighting system can be provided to increase accuracy of delivered feed amounts. Optionally, the device may include a water delivery system. Water is provided by a plumbed domestic connection and is available to the animal at all times, except during the automatic change cycle. A pump is utilized to change the water several times a day, in an attempt to remove any contaminants that may affect the water quality that is required to be dispensed.

WO 2013/062500 A3



Published:

(88) Date of publication of the international search report:

7 November 2013

- *with international search report (Art. 21(3))*
- *before the expiration of the time limit for amending the claims and to be republished in the event of receipt of amendments (Rule 48.2(h))*

INTERNATIONAL SEARCH REPORT

International application No.
PCT/TT2012/000001

A. CLASSIFICATION OF SUBJECT MATTER
 IPC(8) - A01K 5/02 (2013.01)
 USPC - 119/51.11
 According to International Patent Classification (IPC) or to both national classification and IPC

B. FIELDS SEARCHED
 Minimum documentation searched (classification system followed by classification symbols)
 IPC(8) - A01K 5/00, 5/02, 7/04; G01F 11/10 (2013.01)
 USPC - 119/51.01, 51.11, 51.5, 53, 56.1, 57.1, 57.92, 515; 177/70, 71, 88, 105, 108, 115, 120, 145; 222/305, 307, 361, 650

Documentation searched other than minimum documentation to the extent that such documents are included in the fields searched
 CPC - A01K 5/0225, 5/0291 (2013.01)

Electronic data base consulted during the international search (name of data base and, where practicable, search terms used)
 Orbit, Google Patents, Google

C. DOCUMENTS CONSIDERED TO BE RELEVANT

Category*	Citation of document, with indication, where appropriate, of the relevant passages	Relevant to claim No.
Y	US 6,135,056 A (KUO) 24 October 2000 (24.10.2000) entire document	1-9, 13-17
Y	US 3,799,339 A (BREITHOLTZ et al) 26 March 1974 (26.03.1974) entire document	1-9, 13-17
Y	US 2005/0284349 A1 (KASTER et al) 29 December 2005 (29.12.2005) entire document	6
Y	US 5,433,171 A (EWELL) 18 July 1995 (18.07.1995) entire document	13-15
Y	US 7,284,499 B1 (KUSTER) 23 October 2007 (23.10.2007) entire document	16, 17
A	US 7,152,550 B2 (WALKER) 26 December 2006 (26.12.2006) entire document	1-18

Further documents are listed in the continuation of Box C.

- * Special categories of cited documents:
- "A" document defining the general state of the art which is not considered to be of particular relevance
 - "E" earlier application or patent but published on or after the international filing date
 - "L" document which may throw doubts on priority claim(s) or which is cited to establish the publication date of another citation or other special reason (as specified)
 - "O" document referring to an oral disclosure, use, exhibition or other means
 - "P" document published prior to the international filing date but later than the priority date claimed
 - "T" later document published after the international filing date or priority date and not in conflict with the application but cited to understand the principle or theory underlying the invention
 - "X" document of particular relevance; the claimed invention cannot be considered novel or cannot be considered to involve an inventive step when the document is taken alone
 - "Y" document of particular relevance; the claimed invention cannot be considered to involve an inventive step when the document is combined with one or more other such documents, such combination being obvious to a person skilled in the art
 - "&" document member of the same patent family

Date of the actual completion of the international search 04 September 2013	Date of mailing of the international search report 13 SEP 2013
--	--

Name and mailing address of the ISA/US Mail Stop PCT, Attn: ISA/US, Commissioner for Patents P.O. Box 1450, Alexandria, Virginia 22313-1450 Facsimile No. 571-273-3201	Authorized officer: Blaine R. Copenheaver PCT Helpdesk: 571-272-4300 PCT OSP: 571-272-7774
---	---