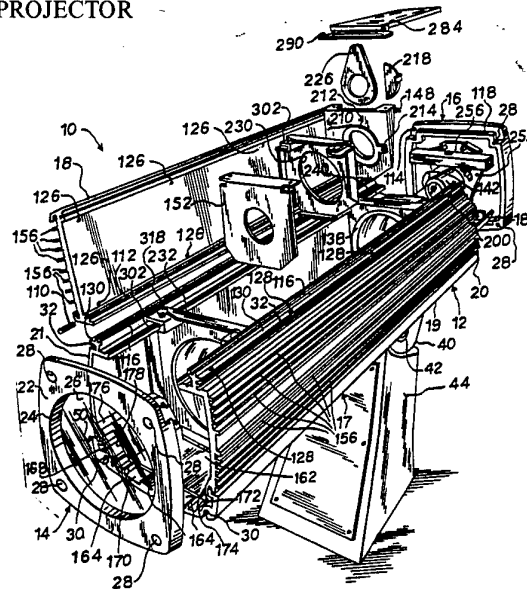




INTERNATIONAL APPLICATION PUBLISHED UNDER THE PATENT COOPERATION TREATY (PCT)

<p>(51) International Patent Classification ⁵ : F21P 5/00, F21V 29/00, 17/02 F21V 19/02</p>	<p>A3</p>	<p>(11) International Publication Number: WO 93/20384 (43) International Publication Date: 14 October 1993 (14.10.93)</p>
<p>(21) International Application Number: PCT/US93/02546 (22) International Filing Date: 24 March 1993 (24.03.93) (30) Priority data: 07/861,181 31 March 1992 (31.03.92) US (71) Applicant: PHOENIX PRODUCTS COMPANY, INC. [US/US]; 6161 North 64th Street, Milwaukee, WI 53218 (US). (72) Inventors: YANTZ, Rupert, O. ; 1700 Primrose Avenue, West Bend, WI 53095 (US). JOHNSON, Richard, A. ; 8620 North Port Washington Road, Milwaukee, WI 53217 (US). PECK, Martin, J. ; North 140 West 13843 Cedar Lane, Germantown, WI 53022 (US).</p>	<p>(74) Agents: FRANZINI, John, D. et al.; Quarles & Brady, 411 East Wisconsin Avenue, Milwaukee, WI 53202-4497 (US). (81) Designated States: CA, European patent (AT, BE, CH, DE, DK, ES, FR, GB, GR, IE, IT, LU, MC, NL, PT, SE). Published <i>With international search report.</i> <i>Before the expiration of the time limit for amending the claims and to be republished in the event of the receipt of amendments.</i> (88) Date of publication of the international search report: 3 March 1994 (03.03.94)</p>	

(54) Title: OUTDOOR FRAMING PROJECTOR



(57) Abstract

A luminaire especially adapted for use as an outdoor framing projector (10) is weatherproof and has an optical system (144) for projecting a beam of a variable size and focus. A housing (12) made in extruded sections (18-21) has a longitudinally continuous sealed joint between the sections formed by a dog-leg shaped lip (50) on one adjacent section (19) fitting into a correspondingly shaped recess (80) on the other section (20, 21), with a resilient sealing strip (98) compressed between the lip (50) and recess (80) and a detent holding the lip (50) and recess (80) together. A fan forced interior air recirculation cooling system cools a lamp (142) with the warmed air flowing longitudinally back to front past top and side walls (18, 20, 21) of the housing (12) provided with cooling fans (156) and a return air duct (160) adjacent to the bottom wall (19) drawing air from the front of the housing (12) back to the inlet of the fan (140). Daylight adjustment of the lamp (142) relative to the reflector (138) is allowed by providing the reflector with two holes (280) which allow two reference beams (281) to escape which are aligned with reference marks (282) in the housing (12) at the proper adjustment position. Lenses (150, 154) are supported from longitudinal flanges (208) of the housing (12) by bearing blocks (302) which trap longitudinally running cylindrical bearings (308) against the flanges (208) and have clamp stands (318) to secure the positions of the lenses (150, 154).

FOR THE PURPOSES OF INFORMATION ONLY

Codes used to identify States party to the PCT on the front pages of pamphlets publishing international applications under the PCT.

AT	Austria	FR	France	MR	Mauritania
AU	Australia	GA	Gabon	MW	Malawi
BB	Barbados	GB	United Kingdom	NE	Niger
BE	Belgium	GN	Guinea	NL	Netherlands
BF	Burkina Faso	GR	Greece	NO	Norway
BG	Bulgaria	HU	Hungary	NZ	New Zealand
BJ	Benin	IE	Ireland	PL	Poland
BR	Brazil	IT	Italy	PT	Portugal
BY	Belarus	JP	Japan	RO	Romania
CA	Canada	KP	Democratic People's Republic of Korea	RU	Russian Federation
CF	Central African Republic	KR	Republic of Korea	SD	Sudan
CG	Congo	KZ	Kazakhstan	SE	Sweden
CH	Switzerland	LI	Liechtenstein	SI	Slovenia
CI	Côte d'Ivoire	LK	Sri Lanka	SK	Slovak Republic
CM	Cameroon	LU	Luxembourg	SN	Senegal
CN	China	LV	Latvia	TD	Chad
CS	Czechoslovakia	MC	Monaco	TG	Togo
CZ	Czech Republic	MG	Madagascar	UA	Ukraine
DE	Germany	ML	Mali	US	United States of America
DK	Denmark	MN	Mongolia	UZ	Uzbekistan
ES	Spain			VN	Viet Nam
FI	Finland				

INTERNATIONAL SEARCH REPORT

International Application No

PCT/US 93/02546

A. CLASSIFICATION OF SUBJECT MATTER

IPC 5 F21P5/00 F21V29/00 F21V17/02 F21V19/02

According to International Patent Classification (IPC) or to both national classification and IPC

B. FIELDS SEARCHED

Minimum documentation searched (classification system followed by classification symbols)

IPC 5 F21P F21V F21M G02B G03B

Documentation searched other than minimum documentation to the extent that such documents are included in the fields searched

Electronic data base consulted during the international search (name of data base and, where practical, search terms used)

C. DOCUMENTS CONSIDERED TO BE RELEVANT

Category *	Citation of document, with indication, where appropriate, of the relevant passages	Relevant to claim No.
X	EP,A,0 301 236 (VEB PÖSSNECKER) 1 February 1989 see claim 1; figures 1,2	1
Y	---	2-8, 20-22
A	---	13
Y	FR,A,1 449 627 (S.A.R.L. BALCAR) 19 August 1966 see page 2, column 1, line 56 - page 3, column 1, line 2; figure 3	2-4
Y	FR,A,2 370 922 (FIVES-CAIL BABCOCK) 9 June 1978 see page 1, line 32 - page 2, line 10; figure 1	5-8
A	---	9,10,31, 32
	--- -/--	

 Further documents are listed in the continuation of box C. Patent family members are listed in annex.

* Special categories of cited documents :

- "A" document defining the general state of the art which is not considered to be of particular relevance
- "E" earlier document but published on or after the international filing date
- "L" document which may throw doubts on priority claim(s) or which is cited to establish the publication date of another citation or other special reason (as specified)
- "O" document referring to an oral disclosure, use, exhibition or other means
- "P" document published prior to the international filing date but later than the priority date claimed

- "T" later document published after the international filing date or priority date and not in conflict with the application but cited to understand the principle or theory underlying the invention
- "X" document of particular relevance; the claimed invention cannot be considered novel or cannot be considered to involve an inventive step when the document is taken alone
- "Y" document of particular relevance; the claimed invention cannot be considered to involve an inventive step when the document is combined with one or more other such documents, such combination being obvious to a person skilled in the art.
- "&" document member of the same patent family

Date of the actual completion of the international search

13 January 1994

Date of mailing of the international search report

26. 01. 94

Name and mailing address of the ISA

European Patent Office, P.B. 5818 Patentlaan 2
NL - 2280 HV Rijswijk
Tel. (+ 31-70) 340-2040, Tx. 31 651 epo nl,
Fax: (+ 31-70) 340-3016

Authorized officer

MARTIN, C

INTERNATIONAL SEARCH REPORT

Int: International Application No

PCT/US 93/02546

C.(Continuation) DOCUMENTS CONSIDERED TO BE RELEVANT

Category	Citation of document, with indication, where appropriate, of the relevant passages	Relevant to claim No.
A	DE,A,27 57 614 (FA. HELLMUT NIETHAMMER) 28 June 1979 see page 15, line 4 - line 9 see page 15, line 22 - page 16, line 16 see page 17, line 7 - line 16 see page 17, line 23 - page 19, line 16; figures 1-4,6A,6B -----	2,25,48
A	GB,A,163 690 (BULLINGER) 1 June 1922 see the whole document -----	20,42,43

INTERNATIONAL SEARCH REPORT

International application No.

PCT/US 93/02546

Box I Observations where certain claims were found unsearchable (Continuation of item 1 of first sheet)

This international search report has not been established in respect of certain claims under Article 17(2)(a) for the following reasons:

1. Claims Nos.:
because they relate to subject matter not required to be searched by this Authority, namely:

2. Claims Nos.:
because they relate to parts of the international application that do not comply with the prescribed requirements to such an extent that no meaningful international search can be carried out, specifically:

3. Claims Nos.:
because they are dependent claims and are not drafted in accordance with the second and third sentences of Rule 6.4(a).

Box II Observations where unity of invention is lacking (Continuation of item 2 of first sheet)

This International Searching Authority found multiple inventions in this international application, as follows:

For further information see Form PCT/ISA/206 sent on 16.08.93.

1. As all required additional search fees were timely paid by the applicant, this international search report covers all searchable claims.
2. As all searchable claims could be searched without effort justifying an additional fee, this Authority did not invite payment of any additional fee.
3. As only some of the required additional search fees were timely paid by the applicant, this international search report covers only those claims for which fees were paid, specifically claims Nos.:
4. No required additional search fees were timely paid by the applicant. Consequently, this international search report is restricted to the invention first mentioned in the claims; it is covered by claims Nos.:

Remark on Protest

- The additional search fees were accompanied by the applicant's protest.
- No protest accompanied the payment of additional search fees.

INTERNATIONAL SEARCH REPORT

information on patent family members

International Application No

PCT/US 93/02546

Patent document cited in search report	Publication date	Patent family member(s)	Publication date
EP-A-0301236	01-02-89	NONE	
FR-A-1449627		NONE	
FR-A-2370922	09-06-78	BE-A- 860007	15-02-78
		BE-A- 860008	15-02-78
		BE-A- 860009	15-02-78
		DE-A- 2749942	11-05-78
		DE-A- 2749943	11-05-78
		DE-A,C 2749944	11-05-78
		NL-A- 7711877	12-05-78
		NL-A- 7711883	12-05-78
		NL-A- 7711884	12-05-78
US-A-1398531		NONE	
EP-A-0112994	11-07-84	US-A- 4419716	06-12-83
		JP-A- 59142389	15-08-84
US-A-4546420	08-10-85	CA-A- 1231687	19-01-88
DE-A-1772284	04-03-71	NONE	
US-A-4299070	10-11-81	DE-A- 2828769	03-01-80
		CA-A- 1112018	10-11-81
		EP-A,B 0006431	09-01-80
FR-A-2254998	11-07-75	NONE	
US-A-4729078	01-03-88	NONE	
US-A-4739456	19-04-88	GB-A,B 2199131	29-06-88
DE-A-2757614	28-06-79	NONE	
GB-A-163690		NONE	